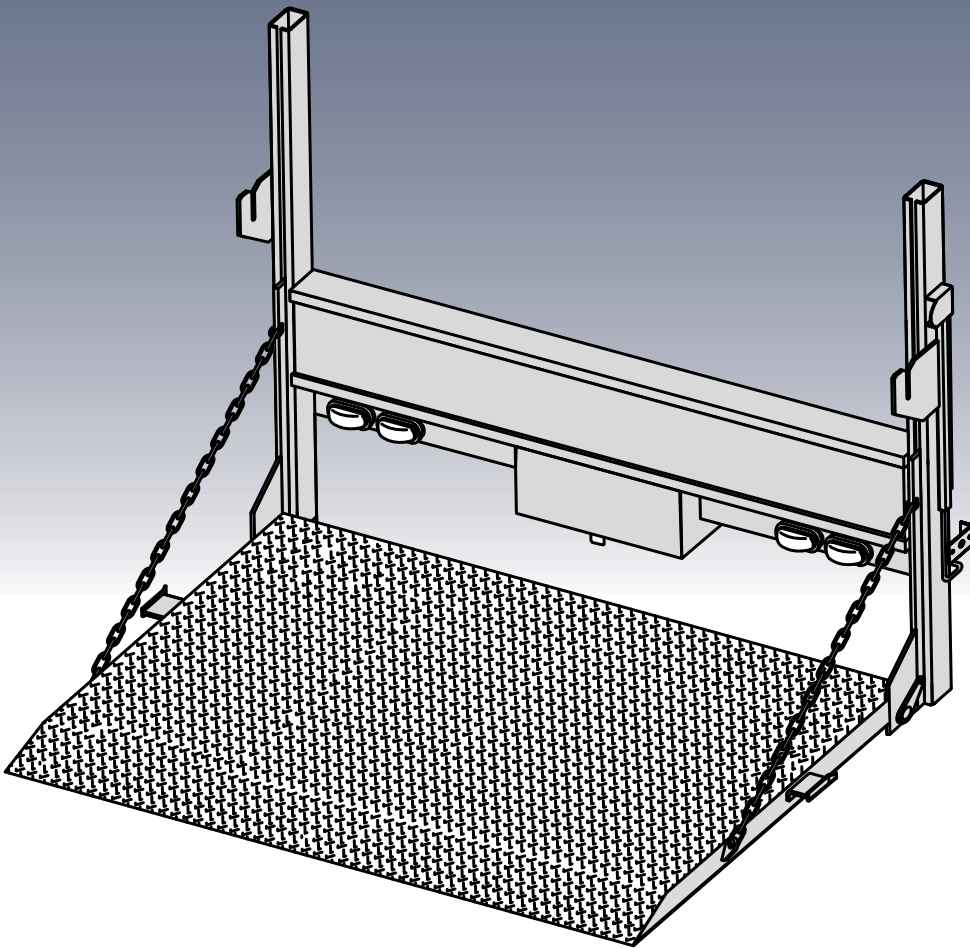


ANTHONY LIFTGATES, INC.

KEEP IN VEHICLE WITH LIFTGATE

PARTS MANUAL

For Medium RailTrac® Hydraulic Liftgates



MODELS

AR-1200
AR-1200-AB
AR-1200-AB-DT
AR-1200-DT
AR-1800
AR-1800-AB
AR-1800-AB-DT
AR-1800-DT
AR-1800-RT-AB
AR-2000-DT
AR-2500
AR-2500-AB
AR-2500-GB*
AR-2500-GB-AB*
AR-2500-RT
AR-2500-RT-AB

HCR-3000
HCR-3000-AB

* See page 1 for details.

ANTHONY
LIFTGATES, INC.®

Anthony Liftgates, Inc.
1037 W. Howard Street • P.O. Box 615 • Pontiac, IL 61764-0615
Ph: 815.842.3383 • Fax: 815.844.3612 • Toll Free: 800.482.0003
www.anthonyliftgates.com

Made in the U.S.A.



Contents

Introduction	2
Safety	3
Safety Is Your Responsibility	3
Nomenclature	4
Platform Nomenclature	4
Power Unit Nomenclature	4
General Information	5
Platform Measurements	5
Decals	5
Ordering Parts	5
Medium RailTrac Liftgate Service Parts	6
Hydraulic Cylinder Service Parts	20
Power Unit Service Parts	22
Decals	24

**** Some special-purpose platforms and liftgates use special parts that may not be listed in this manual. Contact the factory for exact items if not shown.***

Introduction

Congratulations on selecting an Anthony Medium RailTrac® Liftgate. Anthony Liftgates are among the finest liftgates available on the market today, and to ensure your liftgate will perform to your expectations we have provided the following manuals, designed to provide you with the necessary instructions and safety precautions to install and operate these models of Anthony Liftgates:

1. Installation, Operation, Troubleshooting, and Maintenance manual for AR Model Medium RailTrac Liftgates - Form No. L-201
2. Parts manual for AR Model Medium RailTrac Liftgates - Form No. L-201P

This Parts Manual contains part numbers for past and present Anthony Liftgates. The parts illustrated in the parts drawings are representative of typical parts used in the actual Medium RailTrac Liftgate and may not look exactly like the part(s) on your liftgate. Part numbers and drawings are subject to change without notice. At the bottom of each page is the Anthony Liftgates Inc. Product Support phone number.

All Anthony Medium RailTrac model liftgates are factory assembled, tested, and energized to assure the highest quality performance standards. Liftgates are shipped completely assembled for fast, clean, and easy installation.



Safety

Safety Is Your Responsibility

Anthony Liftgates cannot anticipate every possible circumstance that might involve a potential hazard. The warnings in this manual and on the product itself are, therefore, not all inclusive. If tools, procedures, work methods, or operating techniques that are not specifically mentioned by Anthony Liftgates are used, you must satisfy yourself that it is safe for you and for others. Make sure the product or truck the liftgate is mounted onto will not be damaged or made unsafe by any operation, lubrication, maintenance, or repair procedures that you choose.

DO NOT proceed, if any doubt arises about the correct or safe method of performing anything found in this or other Anthony Liftgates manuals. Seek out expert assistance from a qualified person before continuing.

DANGER



To avoid personal injury or death, carefully read and understand all instructions pertaining to the Anthony Liftgates product. Do not attempt to install, operate, or maintain our product without fully understanding all our instructions and safety precautions. Do not operate or work on a truck or liftgate unless you read and understand the instructions and warnings in Installation, Operation, and Maintenance manual.

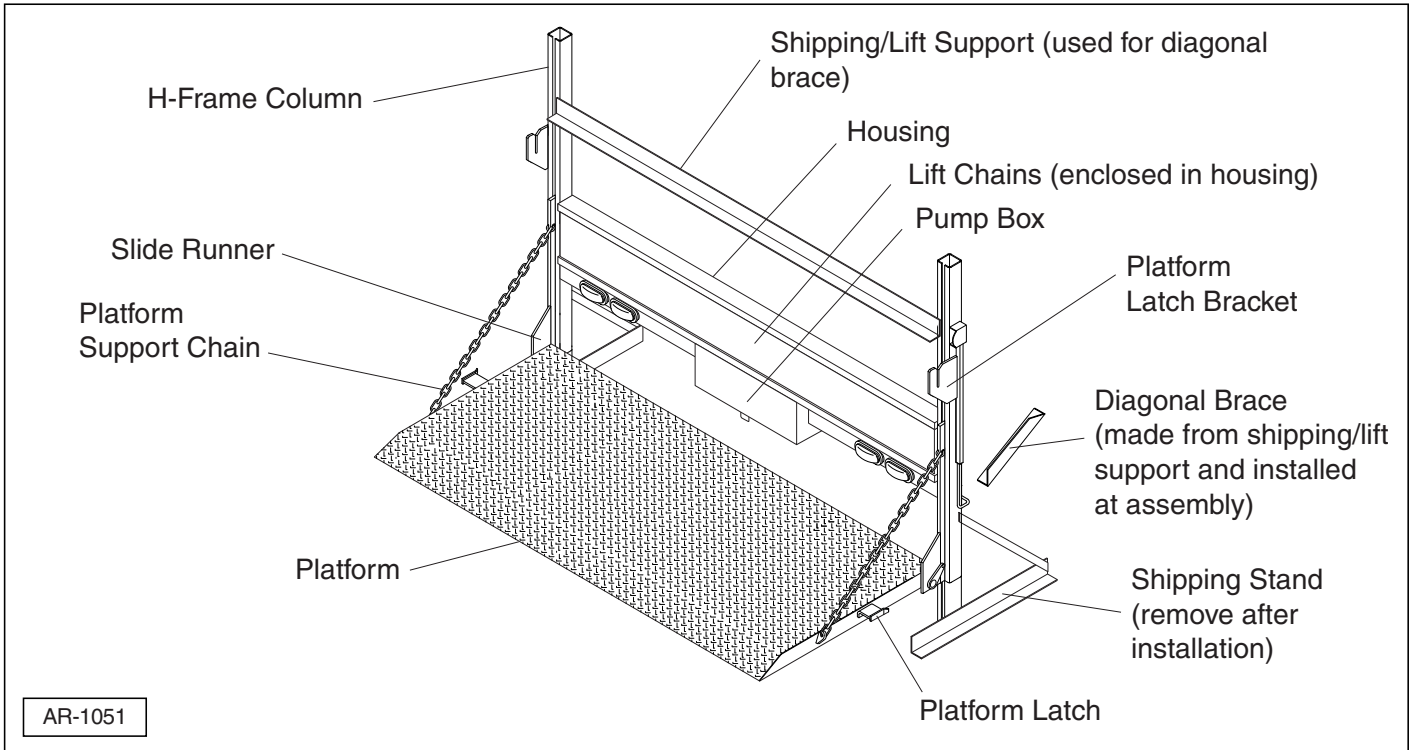
If any doubt or question arises about the correct or safe method of performing anything found in this or other manuals from Anthony Liftgates, contact your Anthony Liftgates dealer or call the Inside Sales and Service representatives at our main headquarters (815-842-3383). Proper care is your responsibility.

DANGER

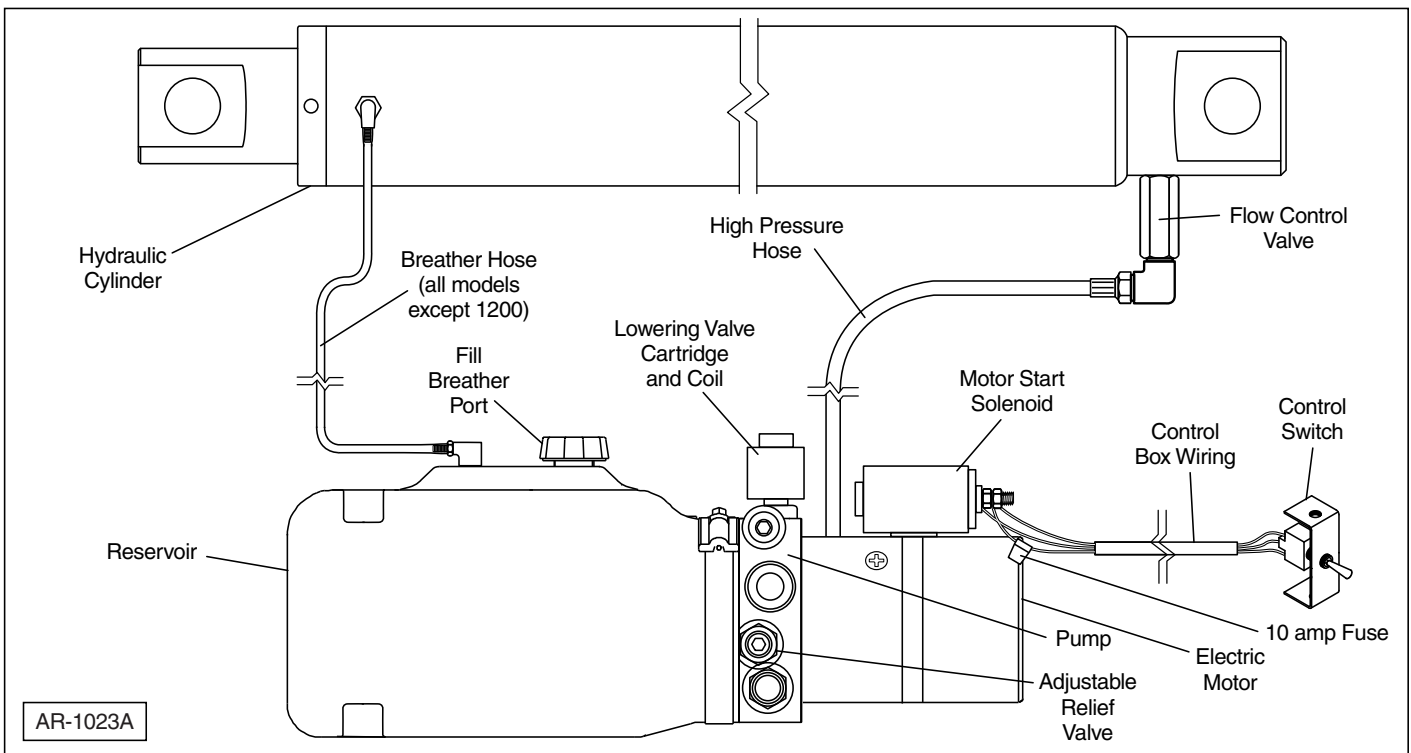


Most accidents involving the operation, maintenance, or repair of products made by Anthony Liftgates occur because the owner/operator failed to observe basic safety rules or operating instructions. An accident can often be avoided by being alert and recognizing potentially hazardous situations. Any individuals operating, maintaining, or repairing products manufactured by Anthony Liftgates should have the necessary training, skills, and tools required to perform the functions properly and safely. The safety information in this manual serves as a basic guide in an attempt to prevent injury or death.

Nomenclature



Platform nomenclature.

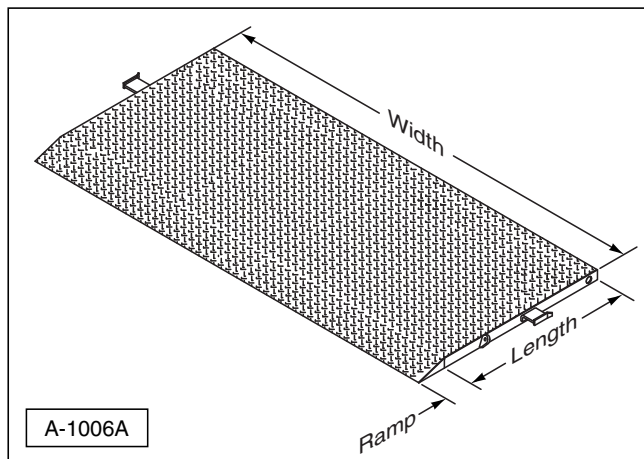


Power unit nomenclature.

General Information

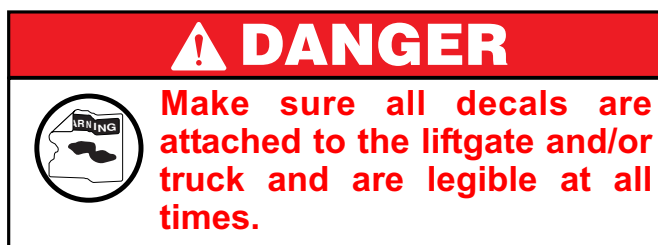
Platform Measurements

The measurements listed in items (89), (93), and (94) in the Medium RailTrac Liftgate Service Parts chart represent the overall size of the liftgate platform and not the size of the individual part. The width is listed first, followed by the length. The final number, (+5) for example, is the length of the ramp. Compare the measurements of your liftgate with the measurements listed in this parts manual to determine the correct replacement part(s). Also take into consideration the model number, if listed, when ordering parts.



Width x Length + Ramp

Decals



Safety decals provide a vital role in helping to reduce injuries or possibly even death. To ensure the greatest level of safety, all decals must be in place and legible at all times. Remember, it is the users responsibility to maintain these decals. For a complete list and illustration of the decals used on the Medium RailTrac liftgate, refer to the Decals section in this manual.

For replacement decals contact:

Anthony Liftgates, Inc.

1037 West Howard Street

Pontiac, Illinois 61764

(815) 842-3383

Web: www.anthonyliftgates.com

Email: Sales@anthonyliftgates.com

Ordering Parts

We manufacturer a quality liftgate that requires very little maintenance or repair. However, should a part break or become damaged our knowledgeable staff can make sure you receive the part(s) to put your liftgate back into operation.

For questions or to order parts, contact:

Anthony Liftgates, Inc.

1037 West Howard Street

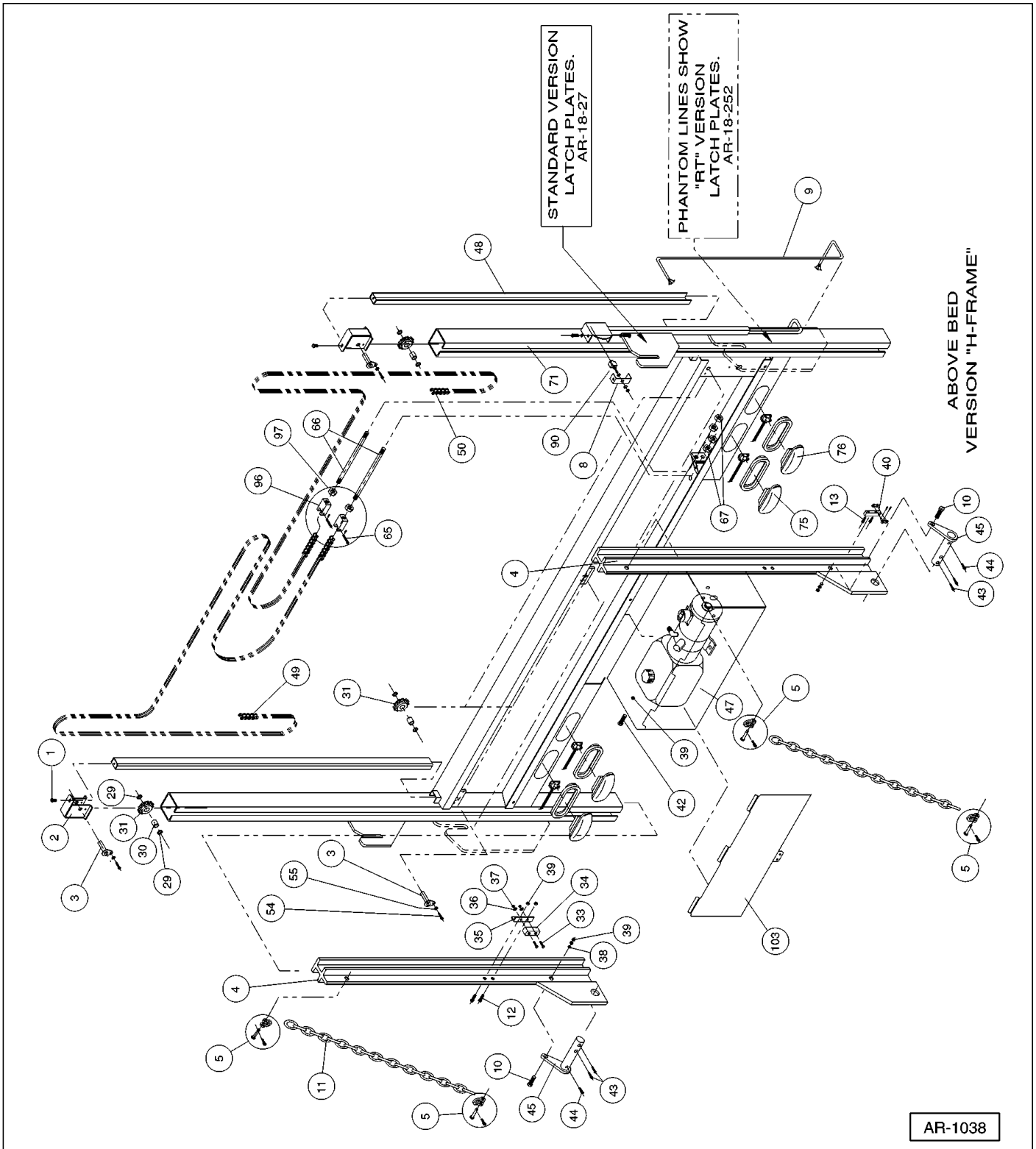
Pontiac, Illinois 61764

(815) 842-3383

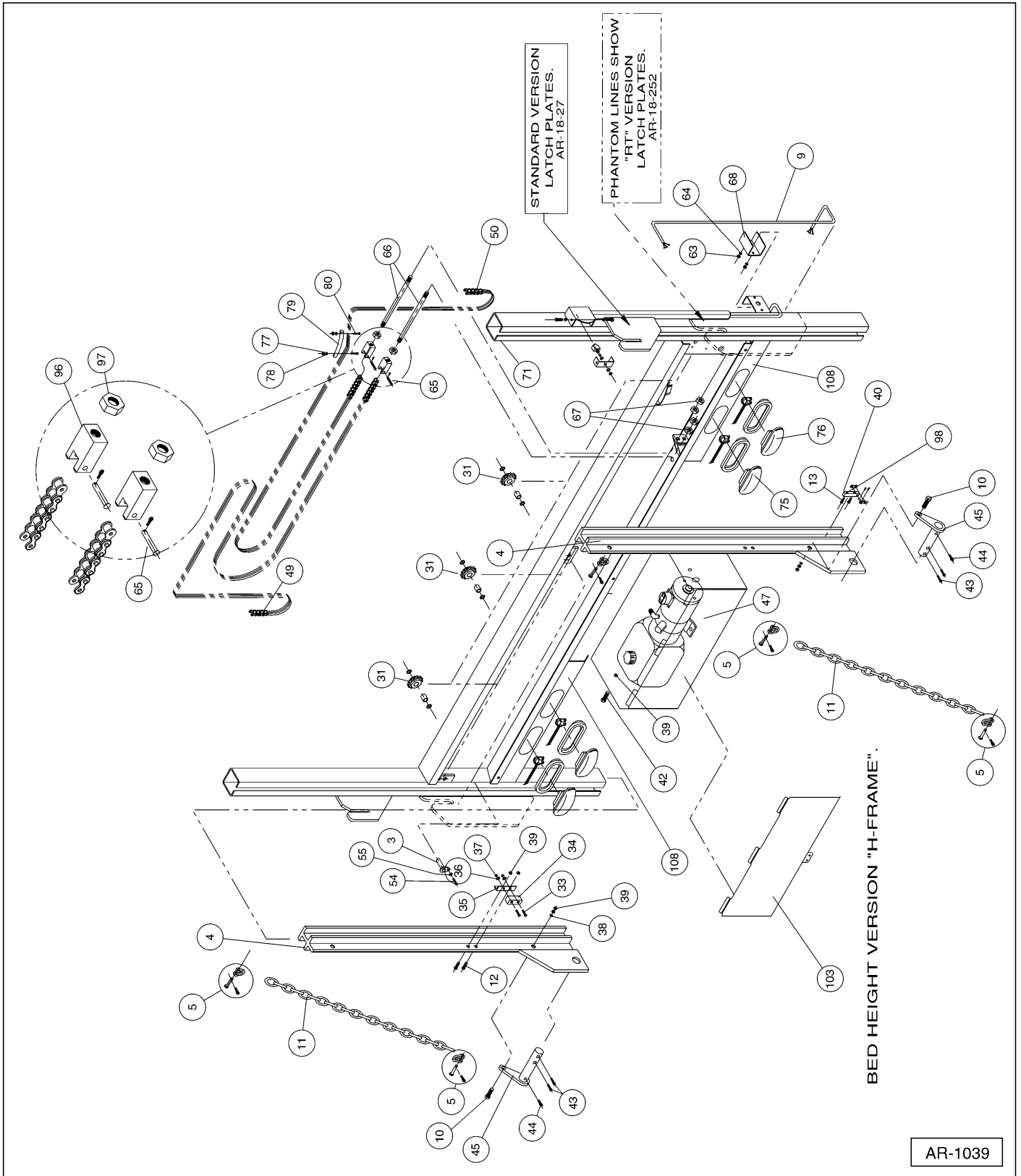
Web: www.anthonyliftgates.com

Email: Sales@anthonyliftgates.com

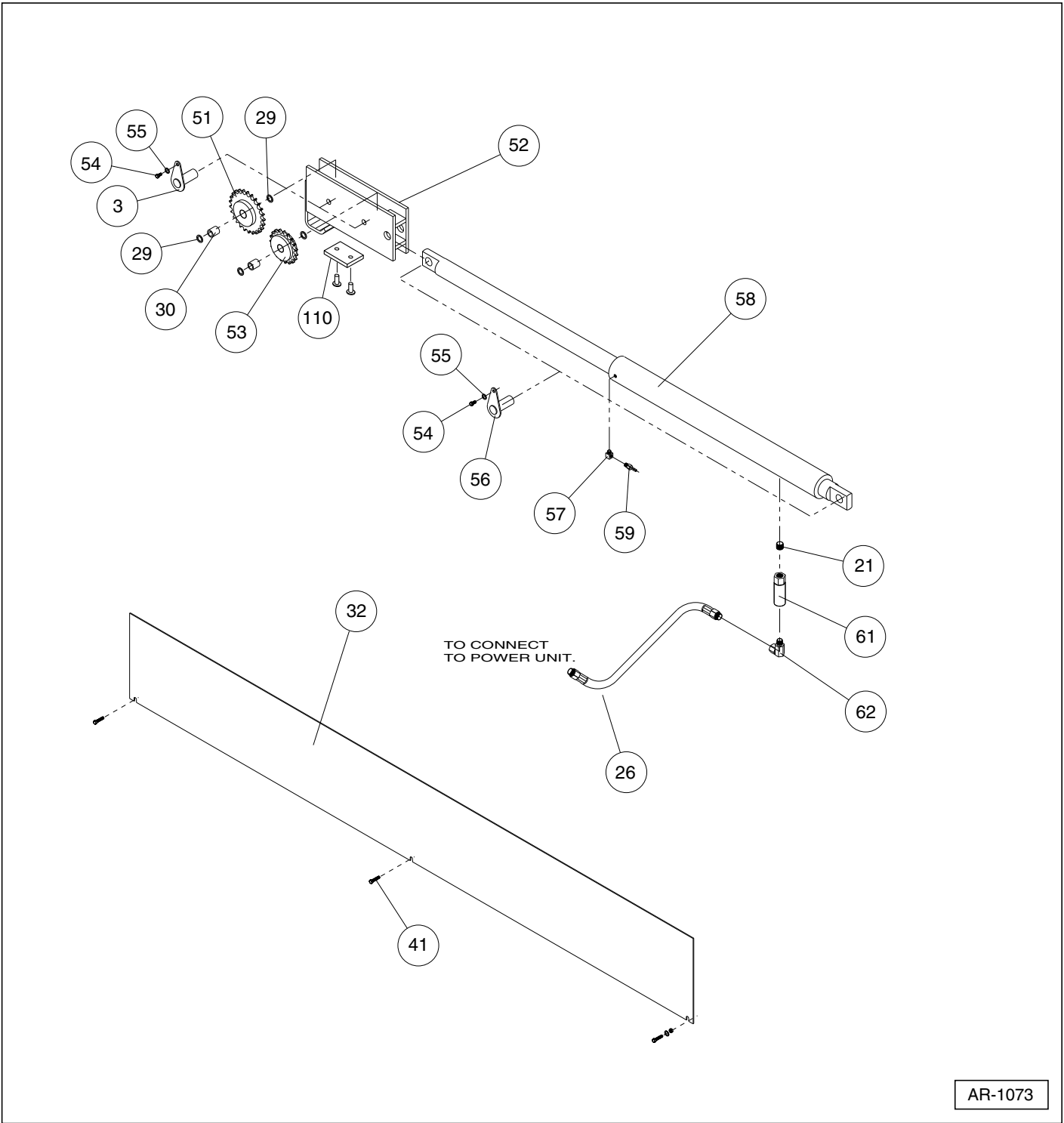
Medium RailTrac Liftgate Service Parts



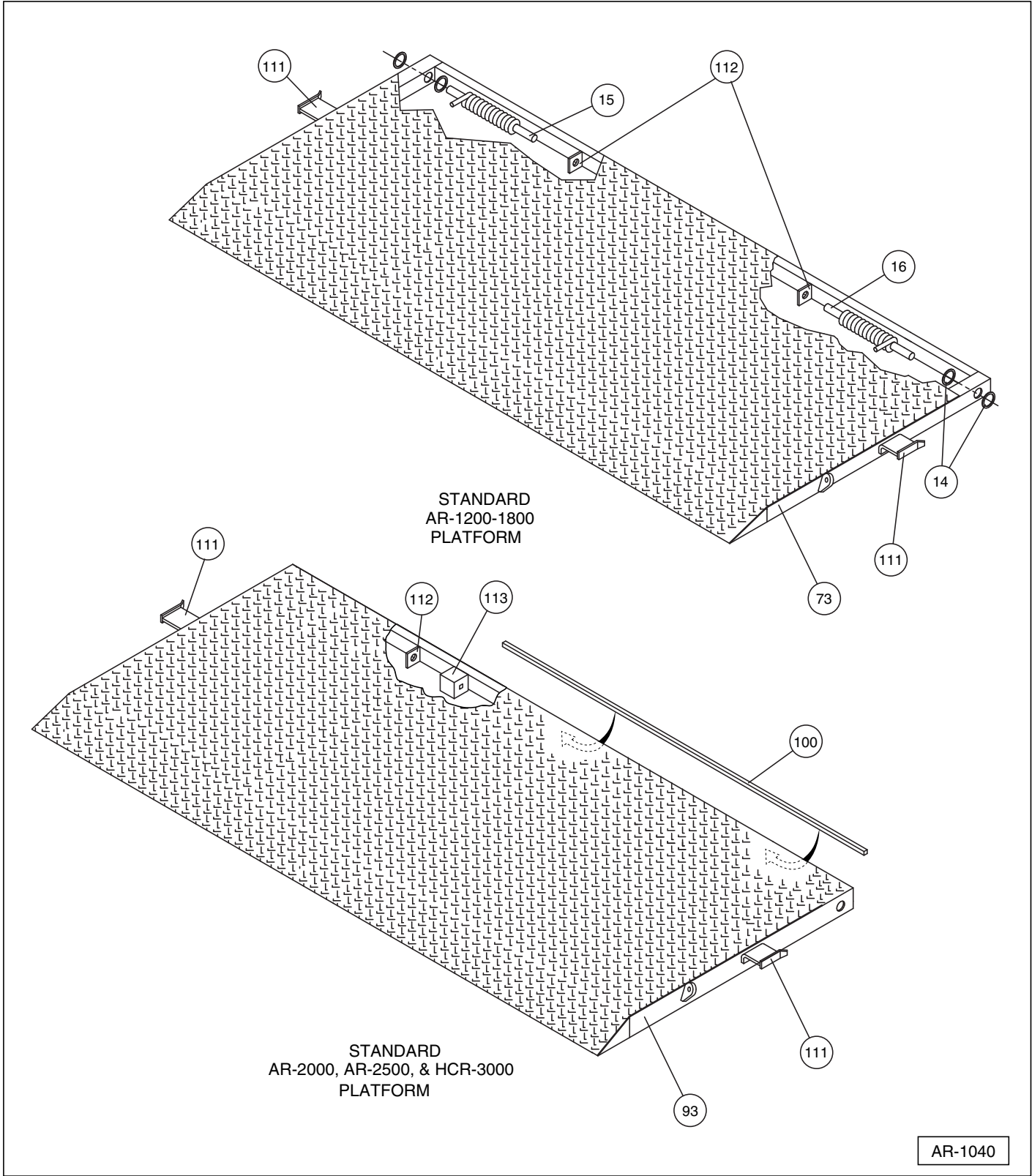
Above Bed Medium RailTrac Liftgate

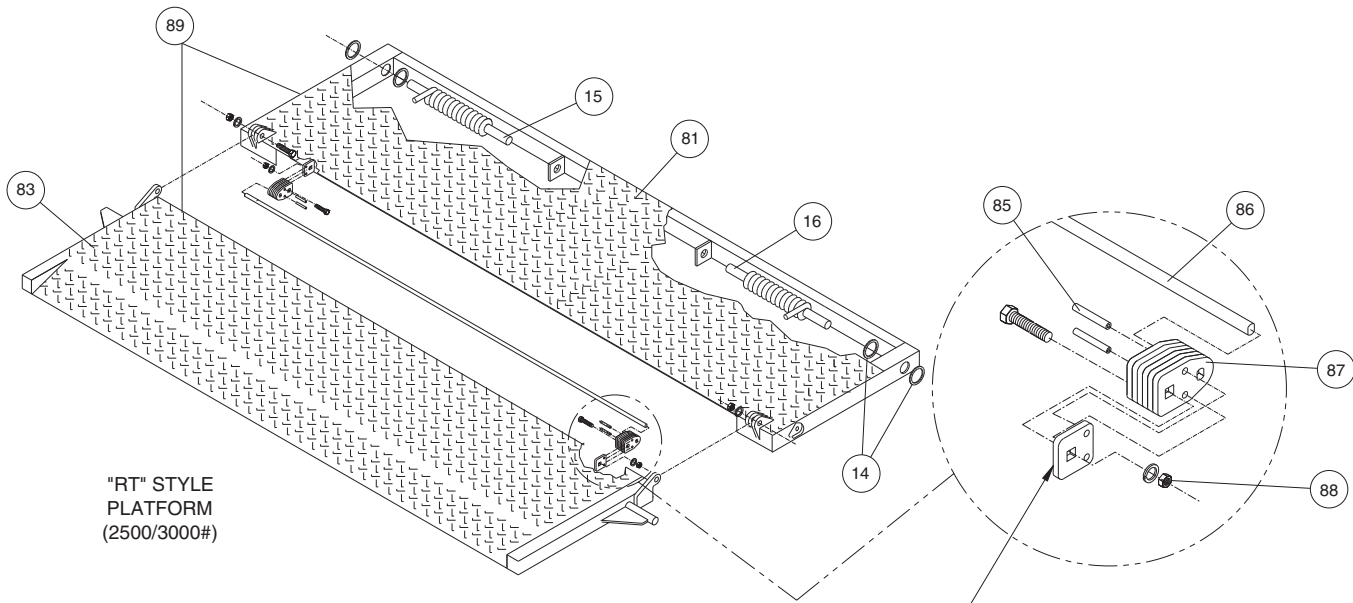


Bed Height Medium RailTrac Liftgate



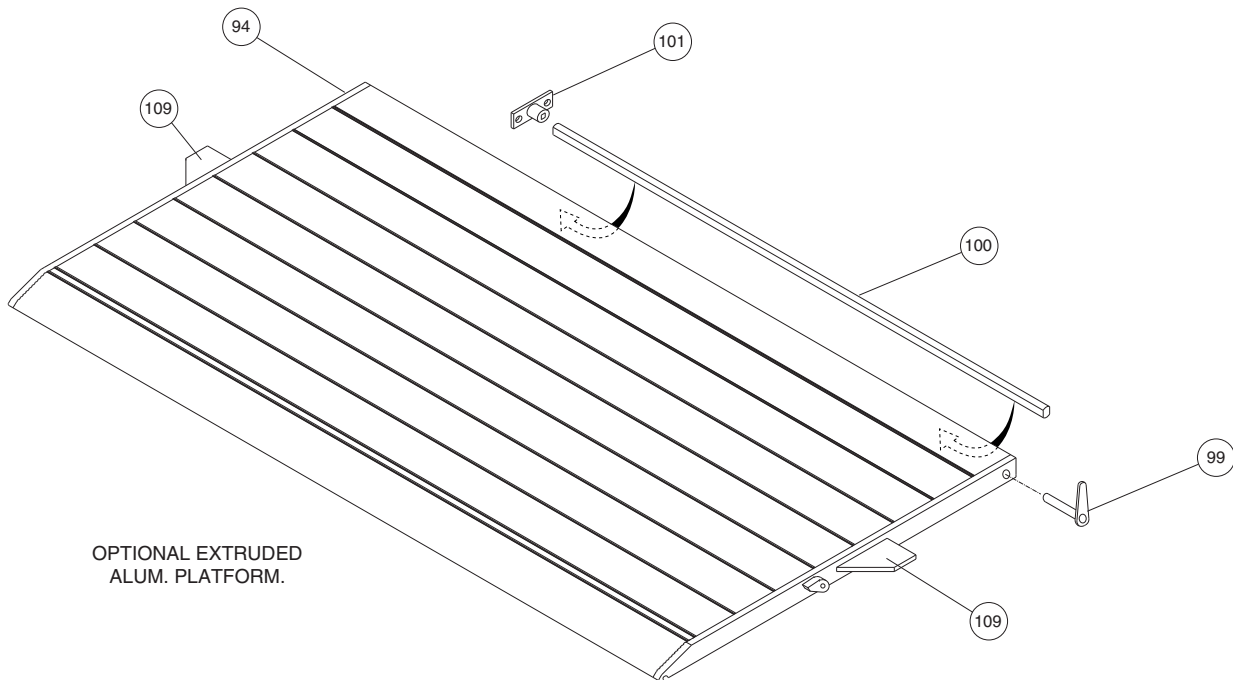
Bed Height and Above Bed Height Medium RailTrac Liftgate Lift Cylinder Assembly





"RT" STYLE
PLATFORM
(2500/3000#)

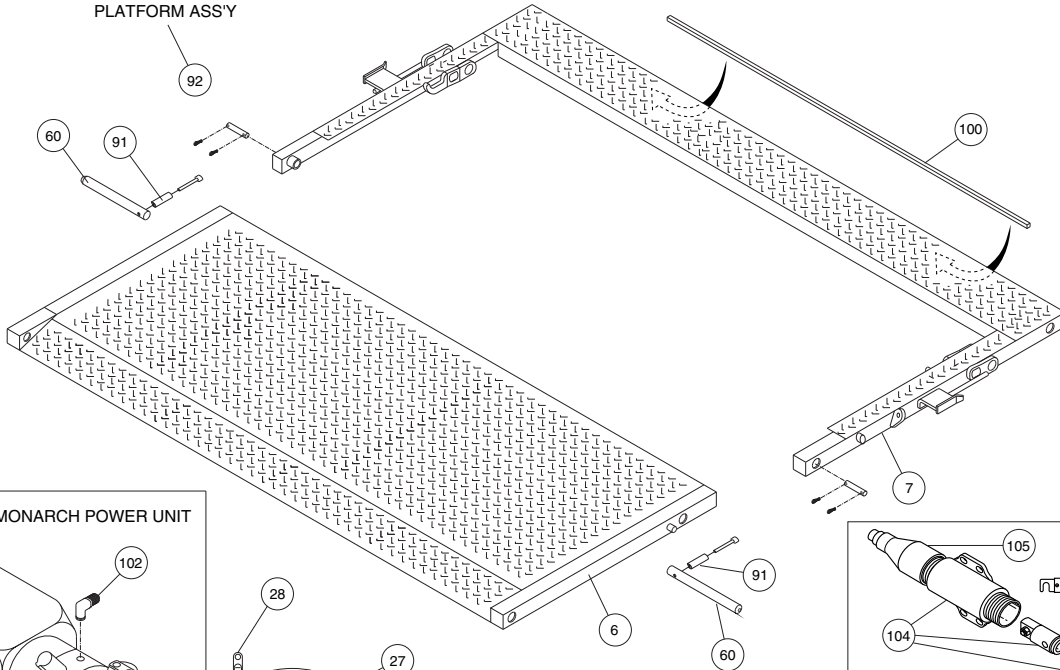
WELDED TO PLATFORM
(SHOWN HERE FOR CLARITY)



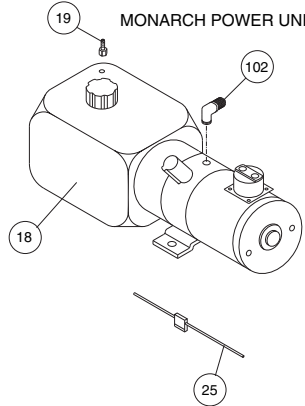
OPTIONAL EXTRUDED
ALUM. PLATFORM.

AR-1041

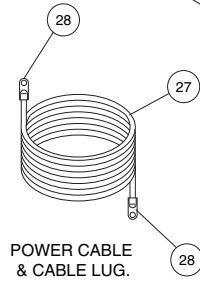
"DUMP THRU"
PLATFORM ASS'Y



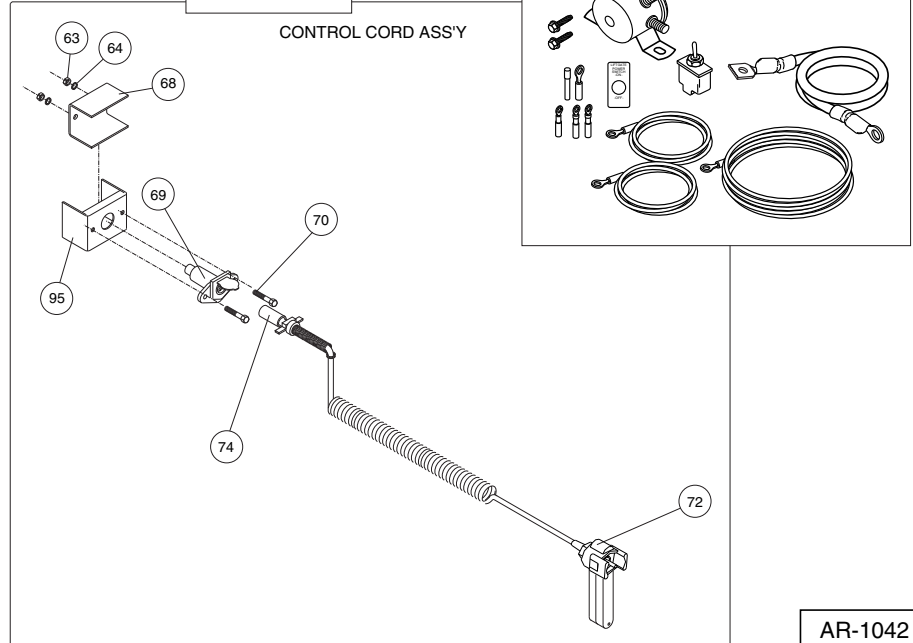
MONARCH POWER UNIT



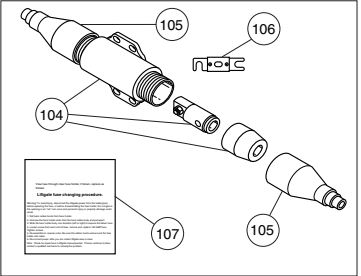
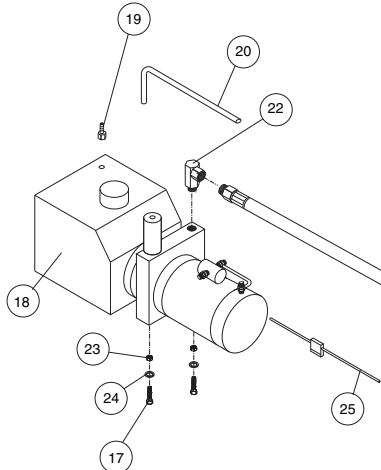
POWER CABLE
& CABLE LUG.



CONTROL CORD ASSY



POWER UNIT:
FENNER,
PIPE THREAD ONLY.



AR-1042

AR and HCR Medium RailTrac Liftgate Service Parts

Item	Part No.	Description	Qty.
1	AR-18-059	Screw, 5/16-18 x 3/4 inch	2
2	AR-18-WS-4	Sprocket Housing	2
3	AR-18-WS-16	Sprocket Pin Assembly (AR-1200 and AR-1800) (quantity on Above Beds 7)	5
	AR-18-312	Sprocket Pin Assembly (AR-2500 and HCR-3000)	
4	AR-18-121	Slide Runner, Aluminum (Standard)	2
	AR-18-250	Slide Runner, Aluminum (Rail Tuck)	
5	AR-18-080	Platform Chain Shackle	4
6	AR-18-461	Dump Thru Platform, 78 inch H-Frame	1
	AR-18-428	Dump Thru Platform, 90 inch H-Frame	
	AR-18-441	Dump Thru Platform, 94 inch H-Frame	
	AR-18-468	Dump Thru Platform, 100 inch H-Frame	
7	AR-18-460	Dump Thru Frame Panel, 78 inch H-Frame	1
	AR-18-427	Dump Thru Frame Panel, 90 inch H-Frame	
	AR-18-440	Dump Thru Frame Panel, 94 inch H-Frame	
	AR-18-467	Dump Thru Frame Panel, 100 inch H-Frame	
8	AR-18-235	Switch Plate	1
9	A-133044	Cord Assembly	1
10	2109	Cap Screw, 3/8-16 x 1 3/4 inch long	2
11	AR-18-079	Platform Support Chain	2
12	874	Cap Screw, 3/8-16 x 1 inch long	4
13	AR-18-066	Chain Mounting Screw	2
14	A-146210	Washer	4
15	AR-18-125	Spring and Pin Assembly (Left)	1
	AR-18-533 or	Double Spring and Pin Assembly (Left), (same as AR-18-175L)	
16	AR-18-126	Spring and Pin Assembly (Right)	1
	AR-18-532 or	Double Spring and Pin Assembly (Right), (same as AR-18-175R)	
17	ATU-178	Carriage Bolt, 3/8-16 x 1 inch long	4
18	A-150001	Power Unit (Used prior to S/N 35000)	1
	A-130116	Power Unit (Used after S/N 35000)	
	A-130050	Power Unit (Starting with S/N 55001)	
19	ATU-124	Hose Fitting (Not used on AR-1200)	1
20	ATU-125	Return Hose, Vent Hose (Not used on AR-1200)	1
21	AR-18-150	Nipple, 3/8 x 2 1/2 NPT (Used prior to S/N 35000)	1

Item	Part No.	Description	Qty.
22	A-130141	Elbow, 3/8 NPT (Used prior to S/N 35000)	1
23	P-162	Hex Nut, 3/8-16	8
24	2054	Lock Washer, 3/8	6
25	A-150437	Fuse Holder	1
	A-150438	10 Amp Fuse	
26	1763	Pressure Hose, Lift, 90 and 94 inch Models (Used prior to S/N 35000)	1
	AR-18-151	Pressure Hose, Lift, 78 inch Model (Used prior to S/N 35000)	
	A-130122	Pressure Hose, Lift, 90 and 94 inch Models (Used after S/N 35000)	
	A-130123	Pressure Hose, Lift, 78 inch Model (Used after S/N 35000)	
	A-130124	Pressure Hose, Lift, 100 inch Model (Used after S/N 35000)	
27	A-150170	Power Cable, No. 4 Gauge x 30 feet long	1
28	A-133003	Cable Lug	2
29	AR-18-067	Washer, 5/8	4
30	AR-18-025	Sprocket Bearing (AR-1200 and AR-1800)	10
	AR-18-315	Sprocket Bearing (AR-2500 and HCR-3000)	
31	AR-18-038	Sprocket, 13 Tooth (AR-1200 and AR-1800)	3 (BH)
	AR-18-210	Sheave, Pulley, (AR-2000 and HCR-3000)	5 (AB)
	AR-18-301	Sprocket, 11 Tooth (AR-2500)	
32	AR-18-144	Housing Cover, 78 inch Model	1
	AR-18-098	Housing Cover, 90 inch Model	
	AR-18-026	Housing Cover, 94 inch Model	
	AR-18-377	Housing Cover, 100 inch Model	
33	S-047004	Stove Bolt	4
34	A-155037	Rubber Bumper	1
35	A-150341	Bumper Angle	1
36	S-016001	Lock Washer, 1/4 inch	2
37	719	Hex Nut, 1/4-20	4
38	2054	Lock Washer	2
39	P-162	Hex Nut, 3/8-16	4
40	AR-18-016	Chain Mounting Block (AR-1200 and AR-1800)	2
	AR-18-214	Chain Mounting Block (AR-2000 and HCR-3000)	
	AR-18-305	Chain Mounting Block (AR-2500)	
41	2145	Screw, 5/16-18 x 3/4 inch long	3
42	874	Cap Screw, 3/8-16 x 1 inch long	4
43	S-094003	Set Screw, Square Head, 5/16-18	4
44	AR-18-069	Cotter Pin	2

Item	Part No.	Description	Qty.
45	AR-18-WS-6	Pin and Lobe Assembly - Right and Left (Used with Coil Spring)	1
46	A-133036	Cut-Off Solenoid Kit (complete unit, includes all parts listed below)	1
		A-150263 Solenoid	1
		A-180122 Wire Harness (long)	1
		A-133037 Wire Harness (short)	2
		A-150456 Terminal, Female Spade, Heat Shrink	1
		A-150451 Terminal, 5/16 Eye, Heat Shrink	1
		A-150452 Terminal, #10 Eye, Heat Shrink	3
		A-150159 Self Tapping Screw	2
		A-150089 Cable Assembly	1
		A-133033 Toggle Switch, On/Off	1
		A-131002 Decal, On/Off	1
	Installation Instructions	1	
47	AR-18-WS-11	Pump Box Weldment	1
48	AR-18-WS-9	Chain Guard	2
49	AR-18-143	Lift Chain, No. 50 Roller Type, 111 inch long (Model AR-1200-78) (Left, Streetside)	1
	AR-18-142	Lift Chain, No. 50 Roller Type, 122 inch long (Model AR-1200-90) (Left, Streetside)	
	AR-18-178	Lift Chain, No. 50 Roller Type, 125 inch long (Model AR-1200-94) (Left, Streetside)	
	AR-18-544	Lift Chain, No. 50 Roller Type, 131 1/4 inch long (Model AR-1200-100) (Left, Streetside)	
	AR-18-176	Lift Chain, No. 50 Roller Type, 270 inch long (Model AR-1200-90-AB and AR-1800-90-AB) (Left, Streetside)	
	AR-18-64	Lift Chain, No. 50 Roller Type, 274 inch long (Model AR-1200-94-AB and AR-1800-94-AB) (Left, Streetside)	
	AR-18-545	Lift Chain, No. 50 Roller Type, 280 inch long (Model AR-1200-100-AB and AR-1800-100-AB) (Left, Streetside)	
	AR-18-140	Lift Chain, No. 50 Roller Type, 135 1/2 inch long (Model AR-1800-90) (Left, Streetside)	
	AR-18-139	Lift Chain, No. 50 Roller Type, 140 inch long (Model AR-1800-94) (Left, Streetside)	
	AR-18-546	Lift Chain, No. 50 Roller Type, 148 1/2 inch long (Model AR-1800-100) (Left, Streetside)	
	AR-18-292	Lift Chain, No. 60 Roller Type, 135 1/2 inch long (Model AR-2500-90) (Left, Streetside)	
	AR-18-270	Lift Chain, No. 60 Roller Type, 140 inch long (Model AR-2500-94) (Left, Streetside)	

Item	Part No.	Description	Qty.
49 (cont.)	AR-18-547	Lift Chain, No. 60 Roller Type, 148 1/2 inch long (Model AR-2500-100) (Left, Streetside)	
	AR-18-293	Lift Chain, No. 60 Roller Type, 270 inch long (Model AR-2500-90-AB) (Left, Streetside)	
	AR-18-272	Lift Chain, No. 60 Roller Type, 274 inch long (Model AR-2500-94-AB) (Left, Streetside)	
	AR-18-548	Lift Chain, No. 60 Roller Type, 280 inch long (Model AR-2500-100-AB) (Left, Streetside)	
	AR-18-554	Lift Chain, BL 534 Leaf Type, 270 inch long (Model HCR-3000-90-AB and AR-2000-90-AB) (Left, Streetside)	
	AR-18-555	Lift Chain, BL 534 Leaf Type, 274 inch long (Model HCR-3000-94-AB and AR-2000-94-AB) (Left, Streetside)	
	AR-18-556	Lift Chain, BL 534 Leaf Type, 280 inch long (Model HCR-3000-100-AB and AR-2000-100-AB) (Left, Streetside)	
	AR-18-557	Lift Chain, BL 534 Leaf Type, 135 1/2 inch long (Model AR-2000-90 and HCR-3000-90) (Left, Streetside)	
	AR-18-217	Lift Chain, BL 534 Leaf Type, 140 inch long (Model AR-2000-94 and HCR-3000-94) (Left, Streetside)	
	AR-18-558	Lift Chain, BL 534 Leaf Type, 146 inch long (Model AR-2000-100 and HCR-3000) (Left, Streetside)	
50	AR-18-141	Lift Chain, No. 50 Roller Type, 99 inch long (Model AR-1200-78, AR-1200-90, AR-1200-94, and AR-1200-100) (Right, Streetside)	1
	AR-18-63	Lift Chain, No. 50 Roller Type, 246 inch long (Model AR-1200-90-AB, AR-1800-90-AB, AR-1200-94-AB, AR-1800-94-AB, AR-1200-100-AB, and AR-1800-100-AB) (Right, Streetside)	
	AR-18-138	Lift Chain, No. 50 Roller Type, 113 1/2 inch long (Model AR-1800-90, AR-1800-94, and AR-1800-100) (Right Streetside)	
	AR-18-269	Lift Chain, No. 60 Roller Type, 113 1/2 inch long (Model AR-2500-90, AR-2500-94, and AR-2500-100) (Right Streetside)	
	AR-18-271	Lift Chain, No. 60 Roller Type, 246 inch long (Model AR-2500-90-AB, AR-2500-94-AB, and AR-2500-100-AB) (Right Streetside)	
	AR-18-553	Lift Chain, BL 534 Leaf Type, 246 inch long (Model HCR-3000-90-AB, AR-2000-90-AB, HCR-3000-94-AB, AR-2000-94-AB, HCR-3000-100-AB, and AR-2000-100-AB) (Right Streetside)	
	AR-18-216	Lift Chain, BL 534 Leaf Type, 113 inch long (Model AR-2000-90, HCR-3000-90, AR-2000-94, HCR-3000-94, AR-2000-100, and HCR-3000-100) (Right Streetside)	

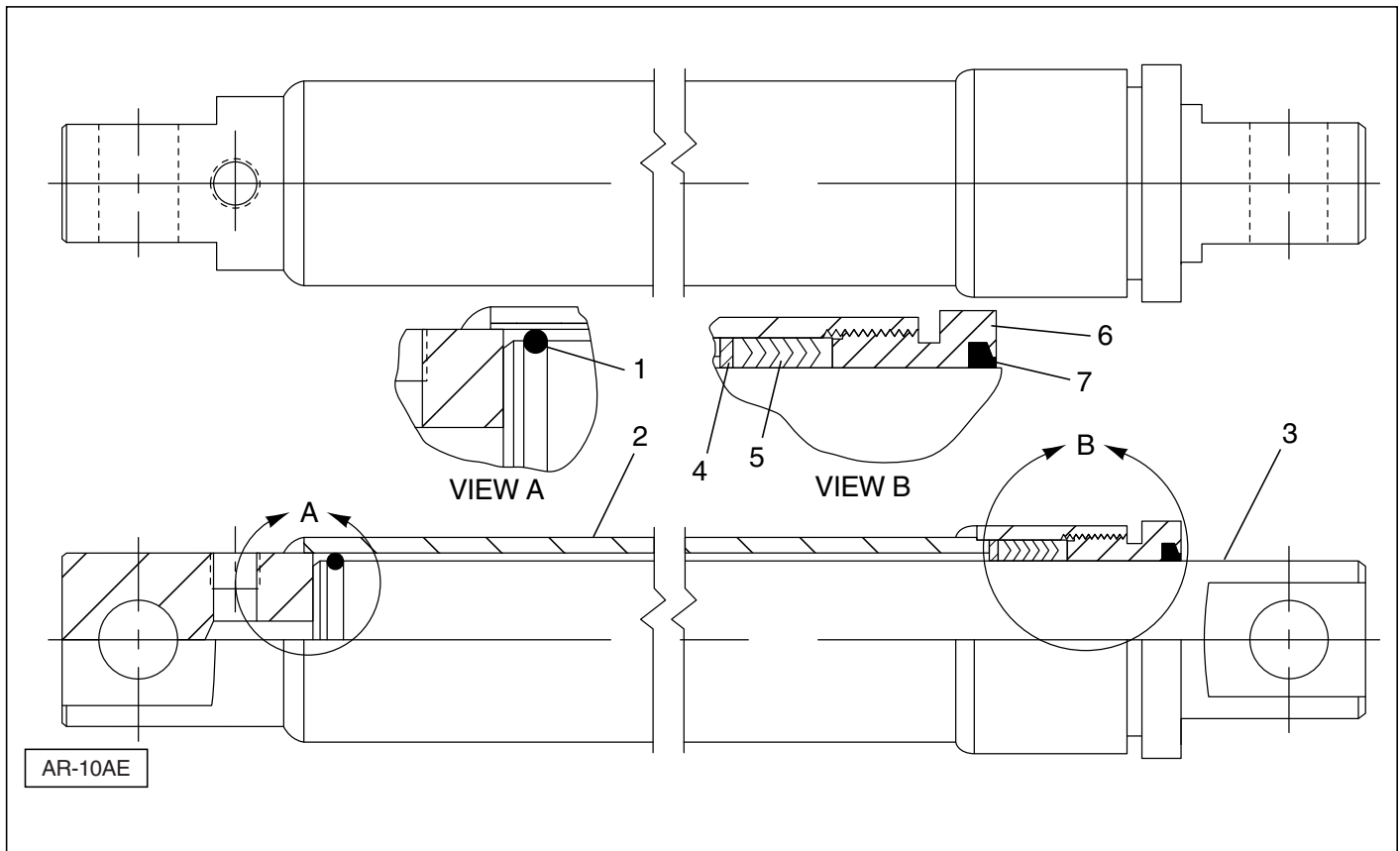
Item	Part No.	Description	Qty.
51	AR-18-040	Sprocket, 25 Tooth (AR-1200 and AR-1800)	1
	AR-18-212	Sheave, Pulley (AR-2000 and HCR-3000)	
	AR-18-309	Sprocket, 21 Tooth (AR-2500)	
52	AR-18-WS-7	Drive Sprocket Plate Weldment	1
53	AR-18-039	Sprocket, 19 Tooth (AR-1200 and AR-1800)	1
	AR-18-211	Sheave, Pulley (AR- 2000 and HCR-3000)	
	AR-18-308	Sprocket, 14 Tooth (AR-2500)	
54	AR-18-166	Cap Screw, 1/4 inch - 28 x 3/8 inch long	7
55	S-016001	Lock Washer, 1/4 inch	7
56	AR-18-WS-15	Cylinder Pin Assembly	2
57	AR-18-087	Elbow - (Not used on AR-1200's)	1
58	A-150344	Hydraulic Cylinder, NPT (AR-1200 Only) (Used prior to S/N 35000) This cylinder has been cancelled and replaced by the A-130120 Cylinder.	1
	A-130120	Hydraulic Cylinder, SAE (AR-1200 Only) (Used after S/N 35000) When used as a replacement for cancelled cylinder, an A-130145 Adapter Fitting is required for installation of new cylinder.	
	AR-18-077	Hydraulic Cylinder, NPT (AR-1800 and Up) (Used prior to S/N 35000) This cylinder has been cancelled and replaced by the A-130121 Cylinder.	
	A-130121	Hydraulic Cylinder, SAE (AR-1800 and Up) (Used after S/N 35000) When used as a replacement for cancelled cylinder, an A-130145 Adapter Fitting is required for installation of new cylinder.	
59	ATU-124	Fitting, Barbed (AR-1800, AR-2000, AR-2500, and HCR-3000)	1
60	AR-18-425	Latch Pin (Dump Thru)	2
61	AR-18-072	Flow Control Restrictor Valve (3 gpm) NPT (Used prior to S/N 35000)	1
	A-130102	Flow Control Restrictor Valve (3 gpm) SAE (Used after S/N 35000)	
62	ATU-179	Elbow, Swivel, 3/8 NPT (Used prior to S/N 35000)	1
63	5419	Nut, 10-24 (Optional equipment)	2
64	2049	Star Washer (Optional equipment)	2
65	A-171258	Connecting Pin, No. 50 (AR-1200 and AR-1800)	2
	A-171306	Connecting Pin, No. 60 (AR-2500)	
66	AR-18-188	Chain Mounting Rod, 12 inch (AR-1800, 2000, 2500, and HCR-3000)	2
	AR-18-187	Chain Mounting Rod, 6 inch (AR-1200)	
67	AR-18-034	Hex Nut, 5/8-18	4
68	AR-18-099	Receptacle Box, Back Panel (Optional equipment)	1
69	AR-18-173	Female Receptacle (Optional equipment) (Use with AR-18-172, Item 72)	1
70	AR-18-090	Stove Bolt, 10-24 (Optional equipment)	2

Item	Part No.	Description	Qty.
71	AR-18-156	H-Frame, 78 inch, Bed Height Model	1
	AR-18-157	H-Frame, 90 inch, Bed Height Model	
	AR-18-158	H-Frame, 94 inch, Bed Height Model	
	AR-18-323	H-Frame, 100 inch, Bed Height Model	
	AR-18-333	H-Frame, 90 inch, Rail Tuck Bed Height Model	
	AR-18-334	H-Frame, 94 inch Rail Tuck, Bed height Model	
	AR-18-335	H-Frame, 100 inch, Rail Tuck Bed Height Model	
	AR-18-159	H-Frame, 90 inch, Above Bed Lift Model	
	AR-18-160	H-Frame, 94 inch, Above Bed Lift Model	
	AR-18-324	H-Frame, 100 inch, Above Bed Lift Model	
	AR-18-336	H-Frame, 90 inch, Rail Tuck Above Bed Lift Model	
	AR-18-337	H-Frame, 94 inch, Rail Tuck Above Bed Lift Model	
	AR-18-338	H-Frame, 100 inch, Rail Tuck Above Bed Lift Model	
72	AR-18-107	Control with Cord (Optional equipment)	1
	AR-18-172	Control with Cord and Plug (Optional equipment)	
73	AR-18-162	Standard Platform (AR-1200-78) 74 x 36 + 6 (nominal)	1
	AR-18-161	Standard Platform (AR-1200/1800-90) 86 x 36 + 6 (nominal)	
	AR-18-164	Standard Platform (AR-1200/1800-94) 90 x 36 + 6 (nominal)	
	AR-18-341	Standard Platform (AR-1200/1800-100) 96 x 36 + 6 (nominal)	
74	AR-18-171	Male Plug, Optional	1
75	AR-18-154	Back Up Light (Clear) (Optional)	2
76	AR-18-153	Stop, Tail, and Turn Light (Optional)	2
77	5419	Nut, 10-24	2
78	2049	Lock Washer	2
79	A-180056	Glide Strip	1
80	5420	Stove Bolt	2
81	AR-18-280	RT Platform Main Section, 86 inch nominal (AR-2500-90-RT)	1
	AR-18-253	RT Platform Main Section, 90 inch nominal (AR-2500-94-RT)	
82	A-150031	Cut-Off Switch (requires two A-133003 Cable Lugs)	1
83	AR-18-281	RT Platform Flip-Over Section, 86 inch nominal (AR-2500-90-RT)	1
	AR-18-254	RT Platform Flip-Over Section, 90 inch nominal (AR-2500-94-RT)	
84	—	Not used	
85	S011001	Roll Pin	4
86	AR-18-276	Spring Rod (Rail Tuck)	1
87	AR-18-278	Spring Lock (Rail Tuck)	12
88	P-162	Nut	2

Item	Part No.	Description	Qty.
89	AR-18-255	RT Platform, 2 Piece, 90 x 42 + 6 nominal (AR-2500-94-RT)	1
	AR-18-279	RT Platform, 2 Piece, 86 x 42 + 6 nominal (AR-2500-90-RT)	
	AR-18-347	RT Platform, 2 Piece, 96 x 42 + 6 nominal (AR-2500-100-RT)	
90	A-133087	Toggle Switch, (Potted Switch with Cord)	1
91	ATU-006	Latch Handle, (Dump Thru)	2
92	AR-18-426	Platform, Dump Thru Style (Optional) 90 inch Wide H-Frame	1
	AR-18-439	Platform, Dump Thru Style (Optional) 94 inch Wide H-Frame	
	AR-18-459	Platform, Dump Thru Style (Optional) 78 inch Wide H-Frame	
	AR-18-466	Platform, Dump Thru Style (Optional) 100 inch Wide H-Frame	
93	AR-18-300	Platform, Std 1 pc, 86 + 42 + 6 nom (AR-2500 and HCR-3000-90)	1
	AR-18-209	Platform, Std 1 pc, 90 + 42 + 6 nom (AR-2500 and HCR-3000-94)	
	AR-18-340	Platform, Std 1 pc, 96 + 42 + 6 nom (AR-2500 and HCR-3000-100)	
94	AR-18-473	Platform, Aluminum (AR-1200-78) 74 x 33 + 6 nominal	1
	AR-18-474	Platform, Aluminum (AR-1200-78) 74 x 39 + 6 nominal	
	AR-18-475	Platform, Aluminum (AR-1200-78) 74 x 44 + 6 nominal	
	AR-18-485	Platform, Aluminum (AR-1200-78) 74 x 55 + 6 nominal	
	AR-18-476	Platform, Aluminum (AR-1800-90) 86 x 33 + 6 nominal	
	AR-18-477	Platform, Aluminum (AR-1800-90) 86 x 39 + 6 nominal	
	AR-18-478	Platform, Aluminum (AR-1800-90) 86 x 44 + 6 nominal	
	AR-18-489	Platform, Aluminum (AR-1800-90) 86 x 55 + 6 nominal	
	AR-18-479	Platform, Aluminum (AR-1800-94) 90 x 33 + 6 nominal	
	AR-18-480	Platform, Aluminum (AR-1800-94) 90 x 39 + 6 nominal	
	AR-18-481	Platform, Aluminum (AR-1800-94) 90 x 44 + 6 nominal	
	AR-18-493	Platform, Aluminum (AR-1800-94) 90 x 55 + 6 nominal	
	AR-18-482	Platform, Aluminum (AR-1800-100) 96 x 33 + 6 nominal	
	AR-18-483	Platform, Aluminum (AR-1800-100) 96 x 39 + 6 nominal	
	AR-18-484	Platform, Aluminum (AR-1800-100) 96 x 44 + 6 nominal	
	AR-18-497	Platform, Aluminum (AR-1800-100) 96 x 55 + 6 nominal	
95	AR-18-93	Receptacle Box, Front Panel	1
96	AR-18-215	Connecting Link, Chain Anchor (HCR-3000)	4
	AR-18-306	Connecting Link, Chain Anchor (AR-2500)	2
	AR-18-189	Connecting Link, Chain Anchor (AR-1200 and AR-1800)	
97	751	Jam Nut	2

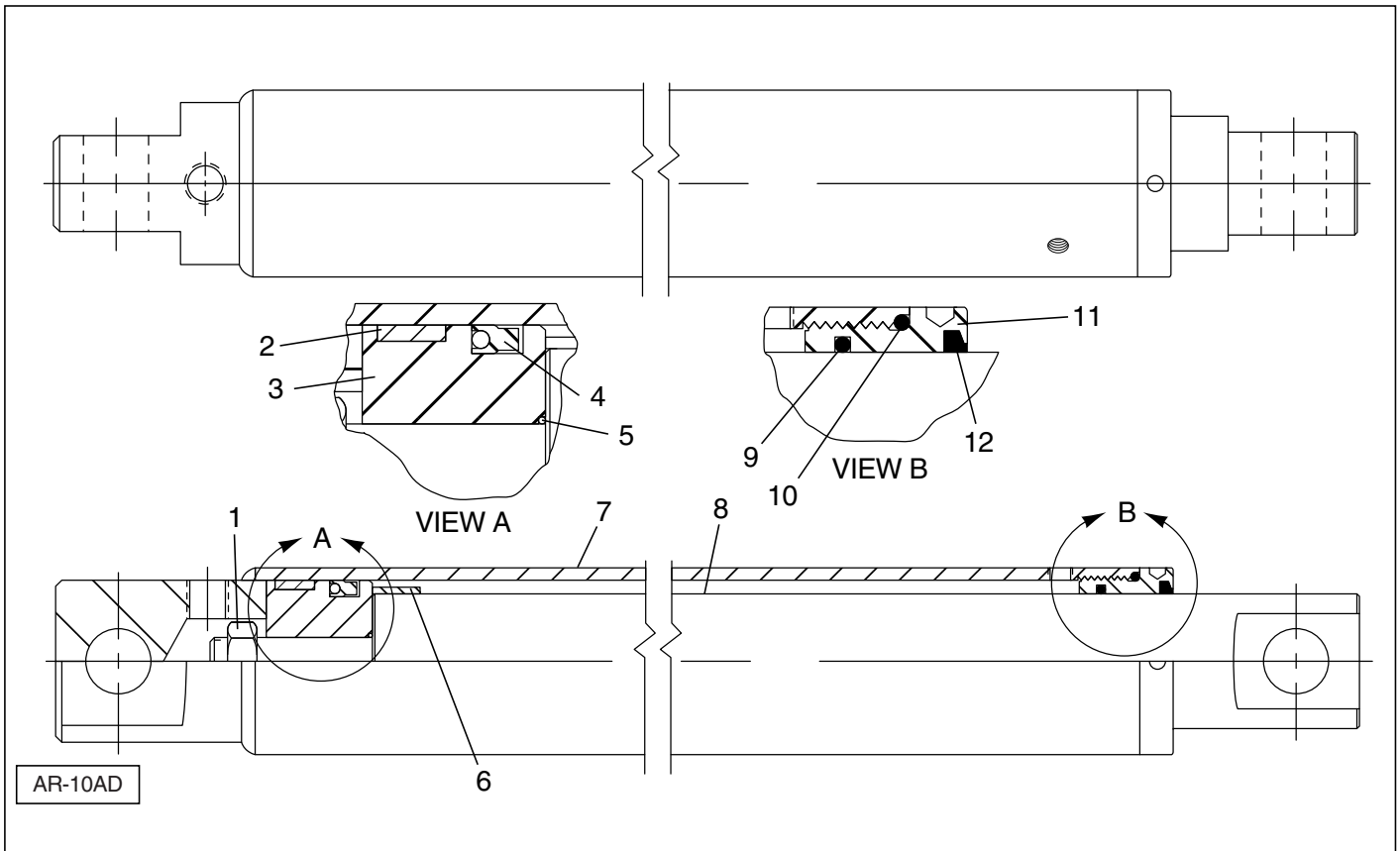
Item	Part No.	Description	Qty.
98	AR-18-065	Chain Connecting Link, No. 50	4
	AR-18-118	Chain Connecting Link, No. 60 (HCR)	
	AR-18-215	Chain Connecting Link (for High Cycle Rail)	
99	AR-18-223	Lobe Assembly with Square Hole (use with item 100)	1
100	AR-18-230	Torsion Bar, Used on Aluminum Platforms 50 inches long or larger and on steel platforms 42 inches long or larger	1
101	AR-18-325	Plate Spring Lock, Used on Aluminum Platforms 50 inches long or larger	1
102	A-130141	Fitting, 45° Elbow, "Monarch" Power Unit (Used after S/N 35000)	1
	A-130035	Fitting, 90° Elbow, "Monarch" Power Unit (Used prior to S/N 35000)	
	A-130062	Fitting, 90° Elbow, BSPP, "Oil Systems" Power Unit (also order port plug A-130063)	
103	AR-18-44	Pump Box Door	1
104	A-133062	Fuse Holder Assembly	1
105	A-133048	Rubber Boot, Seal	2
106	A-133063	Fuse, 150 Amp	1
107	A-131036	Decal, Fuse Change Procedure	1
108	AR-18-149	Deflector Shield (for 78 Inch Wide Liftgate)	2
	AR-18-101	Deflector Shield (for 90 Inch Wide Liftgate)	
	AR-18-102	Deflector Shield (for 94 Inch Wide Liftgate)	
	AR-18-239	Deflector Shield (for 100 Inch Wide Liftgate)	
109	A-150530	Latch Bar, Aluminum Platform Only	2
110	AR-18-229	Wear Pad with Rivets	1
111	AR-18-29L	Latch Bar, Steel Platform Only (Streetside)	1
	AR-18-29R	Latch Bar, Steel Platform Only (Curbside)	1
112	AR-18-31	Spring Gusset Plate	2
113	AR-18-231	Torsion Bar Anchor	1

Hydraulic Cylinder Service Parts



A-130120 (SAE O-Ring Threads) or A-150344 (NPT Port Threads) Cylinder Parts List Model 1200 Only			
Item	Description	Qty	Remarks
1	Piston Lock Ring	1	
2	Tube Assembly	1	
3	Rod Assembly	1	
4	Washer	1	
5	V-Packing ¹	1	
6	Packing Gland Nut	1	
7	Rod Wiper ¹	1	
—	Seal Kit	—	A-150244

¹ Part of A-150244 Seal Kit.

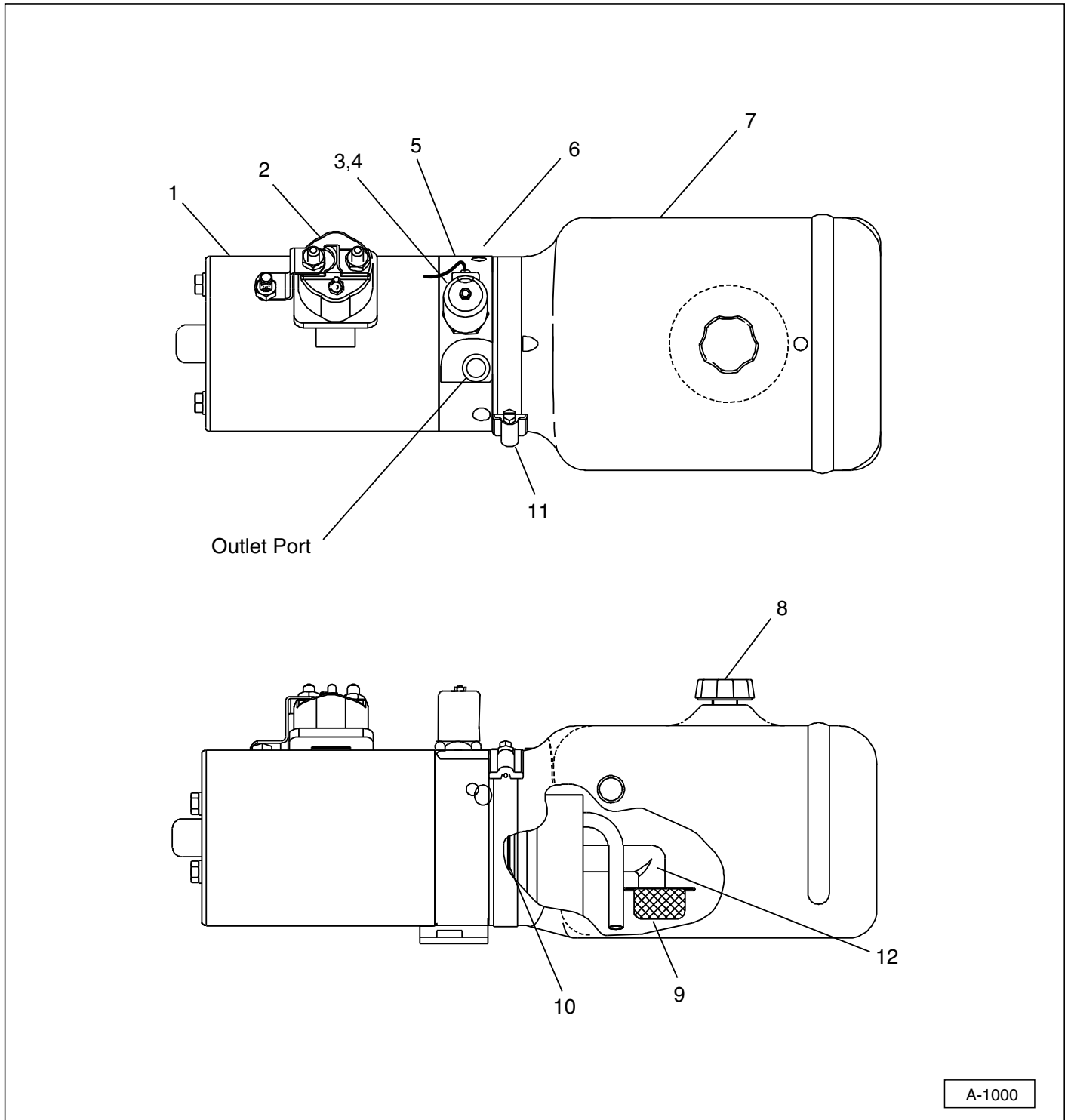


Monarch Power Unit (shown above).

A-130121 (SAE O-Ring Threads) or AR-18-077 (NPT Port Threads) Cylinder Parts List Model AR-1800, 2000, 2500, and HCR-3000			
Item	Description	Qty	Remarks
1	Piston Nut	1	
2	Wear Ring ¹	1	
3	Piston	1	
4	Piston Seal (polypak) ¹	1	
5	Piston O-ring ¹	1	
6	Stop Tube		
7	Tube Assembly	1	
8	Rod Assembly	1	
9	Gland Nut O-ring (internal) ¹	1	
10	Gland Nut O-ring (external) ¹	1	
11	Gland Nut	1	
12	Rod Wiper ¹	1	
—	Seal Kit	—	AR-18-53

¹ Part of AR-18-53 Seal Kit.

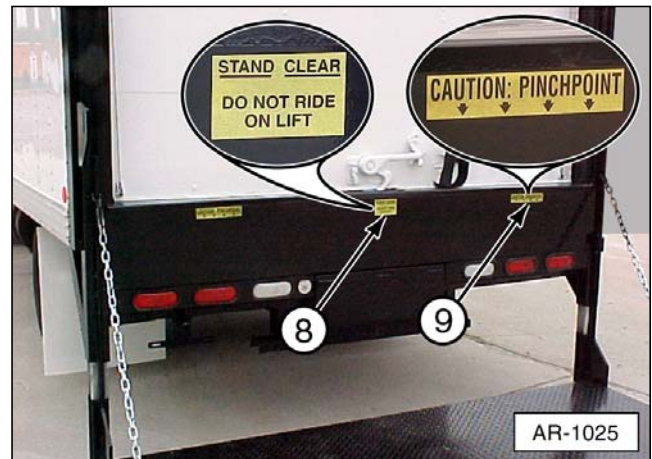
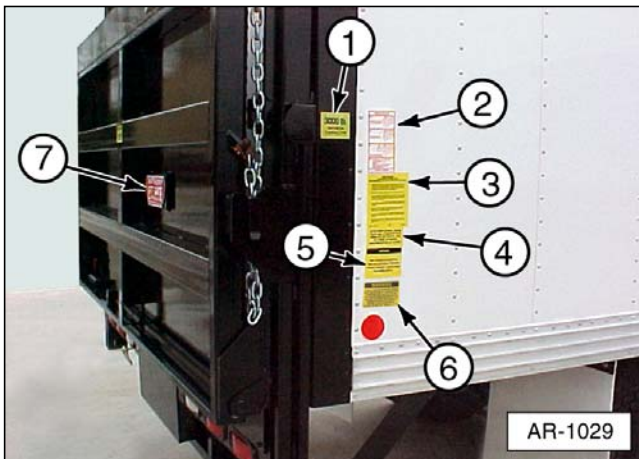
Power Unit Service Parts



Power Unit Service Parts			
Item	Part No.	Description	Remarks
Oil Systems Service Parts			
1	A-130051	Motor	
2	A-130052	Motor Start Solenoid	
3	A-130054	Lowering Valve with Coil	
4	A-130055	Coil (Lowering Valve)	
5	A-130053	Pump	
6	—	Adjustable Relief Valve	
7	A-130056	Plastic Reservoir	
8	A-130057	Plastic Reservoir Cap	
9	A-130060	Suction Filter	
10	A-130059	O-ring for Plastic Reservoir	
11	A-130058	Clamp, Plastic Reservoir	
Monarch Service Parts (shown)			
1	A-150018	Motor	
2	ATU-120	Motor Start Solenoid	
3	ATU-121	Lowering Valve with Coil	
	A-150617	Lowering Valve (Power Down)	
4	ATU-122	Coil (Lowering Valve)	
5	—	Pump	
6	—	Adjustable Relief Valve	
7	A-150635	Plastic Reservoir	
8	A-150546	Plastic Reservoir Cap	
9	A-150015	Suction Filter	
10	A-150019	O-ring for Plastic Reservoir	
11	ATU-565	Clamp, Plastic Reservoir	
12	A-150016	Suction Tube	
Fenner Service Parts			
1	A-150265	Motor	
2	ATU-120	Motor Start Solenoid	
3	ATU-479	Lowering Valve with Coil	
	A-150617	Lowering Valve (Power Down)	
4	ATU-491	Coil (Lowering Valve)	
5	—	Pump	
6	—	Adjustable Relief Valve	
7	A-150504	Plastic Reservoir	
8	A-150615	Plastic Reservoir Cap	
9	—	Suction Filter	
10	AR-18-241	O-ring for Plastic Reservoir	
11	ATU-565	Clamp, Plastic Reservoir	

Decals

Medium Railtrac Liftgate Safety Decals				
Item	Part No.	Description	Qty	Remarks
1	A-131015	1500 lb. Maximum Capacity	1	1500 Models Only
	ATU-175	1800 lb. Maximum Capacity	1	1800 Models Only
	A131020	2000 lb. Maximum Capacity	1	2000 Models Only
	ATU-174	2500 lb. Maximum Capacity	1	2500 Models Only
	ATU-147	3000 lb. Maximum Capacity	1	3000 Models Only
2	AR-18-89	Operating Instructions	1	
3	Q-003013	Urgent Warning - Elevating Gate Instructions...	1	
4	ATU-141	After Using Liftgate, Secure Latch...	1	Place in cab on dash in plain view of driver.
5	A-150238	Notice - This liftgate is protected...	1	
6	A-171448	Inspect, lubricate, and replace...	1	
7	A-131034	Anthony Hydraulic Lift Gate label	1	On bottom of platform.
8	ATU-146	Stand Clear Do Not Ride On Lift	2	
9	AR-18-76	Caution: Pinchpoint	1	
10	A-131036	Decal, Fuse Changing Procedure (not shown)	1	On circuit breaker wire.



1. A-131015

**1800 lb.
MAXIMUM
CAPACITY**

A-131015

IMPORTANT NOTICE

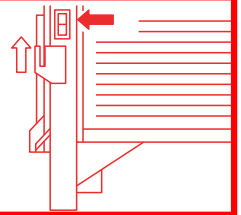
Make sure the proper "maximum capacity" decal goes on the appropriate liftgate. For example, the "1800 Maximum Capacity" decal goes on AR-1800 models only. Do not put a higher rated decal (3000 pound) on a smaller liftgate (model 1800); this could result in liftgate damage or possibly personal injury.

2. AR-18-89

ANTHONY MEDIUM RAILTRAC OPERATING INSTRUCTIONS

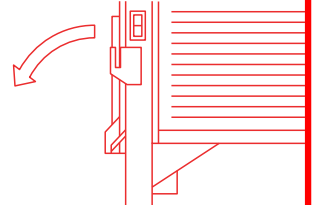
1

ACTIVATE CONTROL SWITCH "UP" TO RAISE PLATFORM OFF OF LATCH PLATES



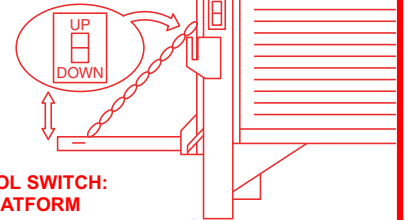
2

UNFOLD PLATFORM TO HORIZONTAL POSITION



3

ACTIVATE CONTROL SWITCH:
"UP" TO RAISE PLATFORM
"DOWN" TO LOWER PLATFORM



4

TO CLOSE UNIT:

- RAISE UNIT IN HORIZONTAL POSITION, UP TO TRUCK BED LEVEL
- FOLD PLATFORM UP TO VERTICAL POSITION
- PRESS "DOWN" BUTTON TO SET PLATFORM LATCH PLATES INTO SLOTS ON CATCH PLATES MAKING CERTAIN BOTH SIDES ARE SECURELY IN SLOTS

ANTHONY LIFTGATES, INC.

1037 WEST HOWARD ST., PONTIAC, IL 61764

3. Q-003013

URGENT WARNING
ELEVATING GATE INSTRUCTIONS

Before Operating Lift, Be Sure You Understand the Following.

1. Improper operation of this lift can result in serious personal injury. Do not operate unless you have been properly instructed and have read and are familiar with, the operating instructions. If you do not have a copy of the instructions please obtain them from your employer, distributor, or lessor, as appropriate, before you attempt to operate the lift.
2. Be certain the vehicle is properly and securely braked before using the lift.
3. Always inspect this lift for maintenance or damage before using it. If there are signs of improper maintenance, damage to vital parts, or slippery platform surface, do not use the lift. Do not attempt your own repairs, unless you are specifically trained.
4. Do not overload. See Mfg. Literature and/or Rating Label on the unit for the rated load. Remember that this limit applies to both raising and lowering operations.
5. Each load should be placed in a stable position within the edges of the platform as near as possible to the center of the platform side to side, and as close to the truck sill as possible.
6. Never stand in or move through or allow anyone else to stand in or move through the area in which the lift may operate or into which an upset load might fall.
7. This is not a passenger lift. This liftgate is intended for loading and unloading of cargo only. Do not use this liftgate for anything but its intended use.

Anthony Liftgates, Inc.

6/95

Q-003013

4. ATU-141

AFTER USING LIFTGATE, SECURE LATCH AND, IF EQUIPPED WITH POWER CUT-OFF SWITCH, TURN OFF POWER TO PREVENT UNAUTHORIZED USE OF LIFTGATE

5. A-150238

NOTICE

THIS LIFTGATE IS PROTECTED WITH AN ELECTRICAL OVERLOAD CIRCUIT BREAKER, LOCATED NEAR THE POWER SUPPLY.

A-150238

6. A-171448

WARNING

INSPECT, LUBRICATE AND REPLACE LIFTGATE DRIVE CHAIN ACCORDING TO MANUFACTURERS RECOMMENDATIONS. FAILURE TO FOLLOW THESE MANUFACTURERS RECOMMENDATIONS MAY RESULT IN SERIOUS BODILY INJURY. FOR INFORMATION CONTACT YOUR NEAREST ANTHONY LIFTGATE DISTRIBUTOR OR ANTHONY LIFTGATES, INC., PONTIAC, IL. 61764

7. A-131035



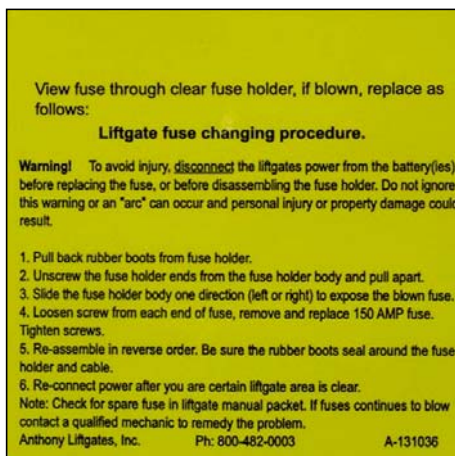
8. ATU-146



9. AR-18-76



10. A-131036





Anthony Liftgates, Inc.
1037 W. Howard Street • P.O. Box 615 • Pontiac, IL 61764-0615
Ph: 815.842.3383 • Fax: 815.844.3612 • Toll Free: 800.482.0003
www.anthonyliftgates.com