

ANTHONY LIFTGATES, INC.

PARTS

For Anthony Liftgates Model LA-86

KEEP IN VEHICLE WITH LIFTGATE



ANTHONY
LIFTGATES, INC.®


Anthony Liftgates, Inc.
1037 W. Howard Street • P.O. Box 615 • Pontiac, IL 61764-0615
Ph: 815.842.3383 • Fax: 815.844.3612 • Toll Free: 800.482.0003
www.anthonyliftgates.com

Made in the U.S.A.



Safety Is Your Responsibility

! DANGER



To avoid personal injury or death, carefully read and understand all instructions pertaining to the Anthony Liftgates product. Do not attempt to install, operate, or maintain our product without fully understanding all our instructions and safety precautions. Do not operate or work on a truck or liftgate unless you have read and understand all of the instructions and warnings in the Installation, Operation, and Maintenance manual. If any doubt or question arises about the correct or safe method of performing anything found in this or other manuals from Anthony Liftgates, contact your Anthony Liftgates dealer or call the Inside Sales and Service representatives at our main headquarters (815-842-3383). Proper care is your responsibility.

! DANGER



Most accidents involving the operation, maintenance, or repair of products made by Anthony Liftgates occur because the owner/operator failed to observe basic safety rules or operating instructions. An accident can often be avoided by being alert and recognizing potentially hazardous situations. Any individuals operating, maintaining, or repairing products manufactured by Anthony Liftgates should have the necessary training, skills, and tools required to perform the functions properly and safely. The safety information in this manual serves as a basic guide in an attempt to prevent injury or death.

Anthony Liftgates cannot anticipate every possible circumstance that might involve a potential hazard. The warnings in this manual and on the product itself are, therefore, not all inclusive. If tools, procedures, work methods, or operating techniques that are not specifically mentioned by Anthony Liftgates are used, you must satisfy yourself that it is safe for you and for others.

Make sure the product or truck the liftgate is mounted onto will not be damaged or made unsafe by any operation, lubrication, maintenance, or repair procedures that you choose.

DO NOT proceed if any doubt arises about the correct or safe method of performing anything found in this or other Anthony Liftgates manuals. Seek out expert assistance from a qualified person before continuing.

The parts illustrated in the parts drawings are representative of typical parts used in the actual liftgate and may not look exactly like the part(s) on your liftgate. Part numbers and drawings are subject to change without notice. At the bottom of each page is the Anthony Liftgates Inc. Product Support phone number.

1. Installation, Operation, Troubleshooting, and Maintenance manual for LA-86 Model Liftgate, Form Number L-601.
2. Parts manual for LA-86 Model Liftgate, Form Number L-601P.

Ordering Parts

We manufacturer a quality liftgate that requires very little maintenance or repair. However, should a part break or become damaged, our knowledgeable staff can make sure you receive the part(s) to put your liftgate back into operation.

Contact Information

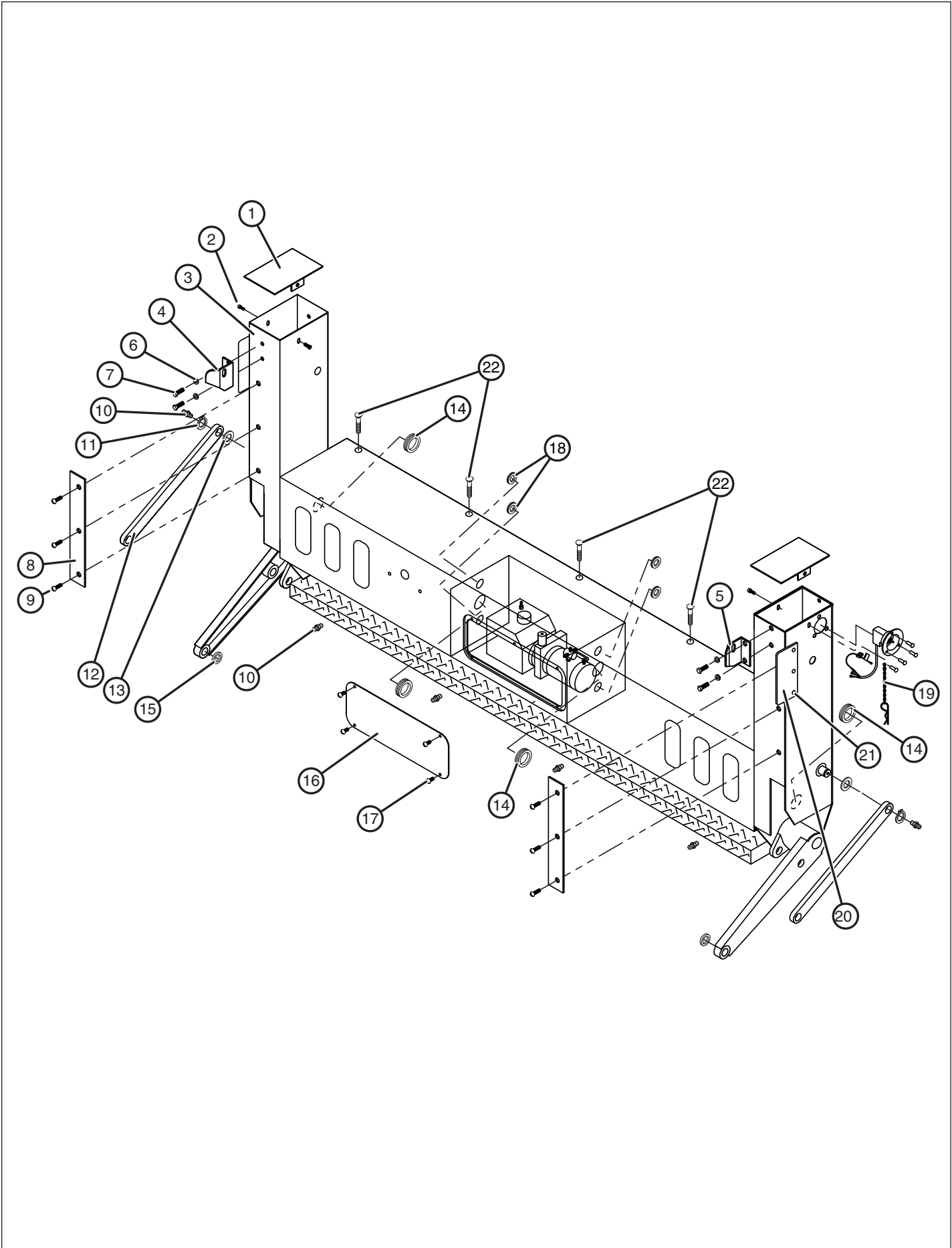
For replacement decals, questions, or to order parts, contact:

Anthony Liftgates, Inc.
1037 West Howard Street
Pontiac, Illinois 61764
(815) 842-3383
www.anthonyliftgates.com

Serviceable Parts for LA-86

Base Assembly

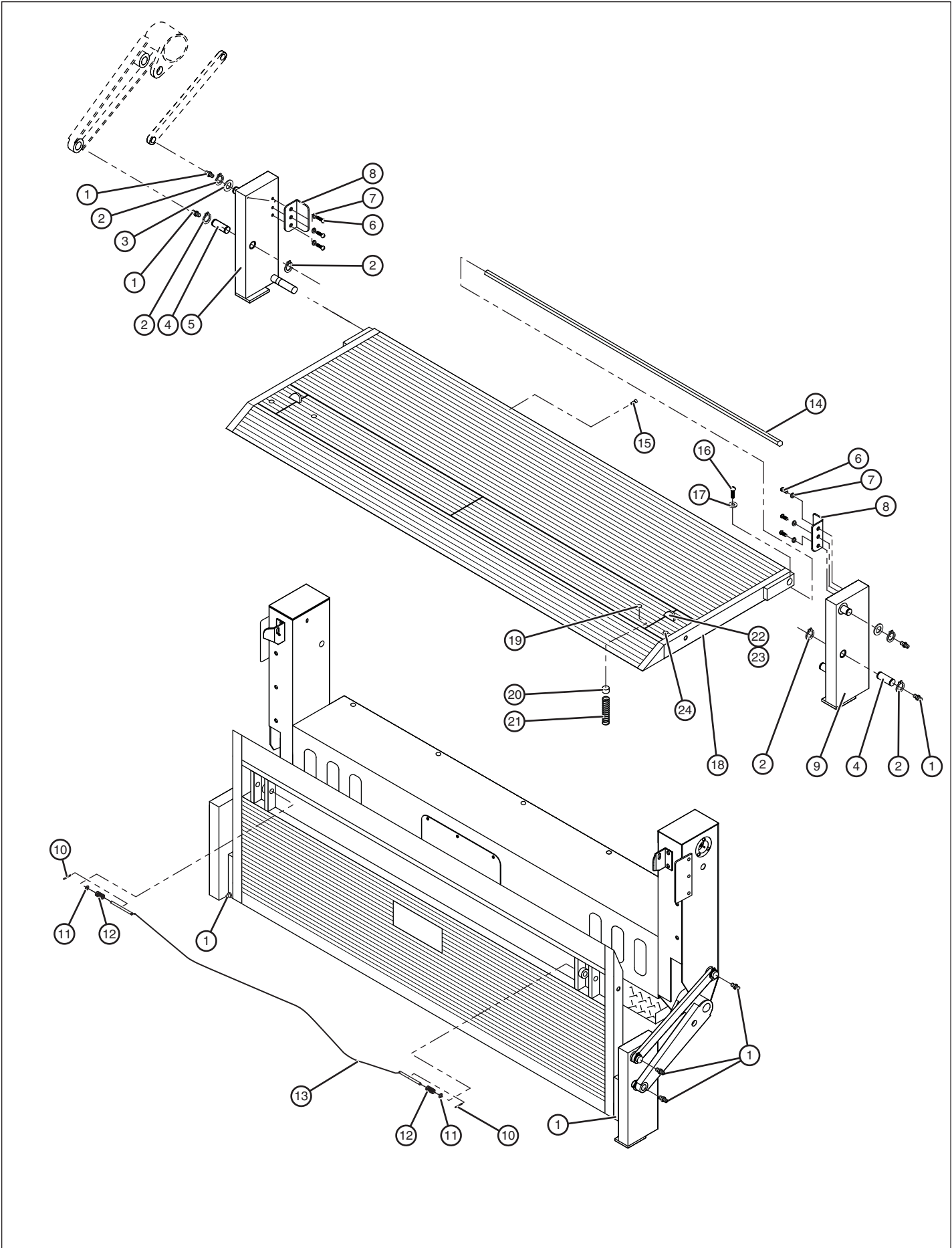
<i>Item</i>	<i>Part No.</i>	<i>Description</i>	<i>Quantity</i>
1	A-150889	Cover, Power Unit	2
2	A-150159	Screw, Flanged Self-Tapping	4
3	A-150962	Liftbody Weldment	1
4	A-150826-L	Latch Plate - Streetside (left)	1
5	A-150826-R	Latch Plate - Curbside (right)	1
6	6611	Lock Washer, 5/16"	4
7	5434	Hex Bolt, 5/16-18 x 3/4" long, Grade 8	4
8	A-150769	Nylon Pad (1/8" x 2-1/2" x 15-1/8")	2
9	A-132090	Rivet, Stainless Steel, 1/4" diameter	6
10	5417	Grease Fitting (straight, zerk)	6
11	A-150060	Retaining Ring, 1"	2
12	A-150706	Lifting Arm	2
13	A-144054	Flat Washer, 1"	2
14	A-150062	Grommet, 1-1/2" ID	4
15	A-150676	Bushing, Spacer, 1-1/2" OD x 1" ID	2
16	A-150252	Cover (Power Unit)	1
17	A-132031	Screw, Button Head Allen, Stainless Steel, 5/16-18 x 3/4" long	4
18	A-158101	Grommet, 7/16" ID	4
19	A-150163	Chain and Hook Assembly, Consists of: A-150198, S-Hook A-150069, Chain A-150068, Hairpin Cotter	1
20	A-150946	Plate	2
21	A-132030	Rivot, Aluminum, 3/16" diameter	6
22	ATU-159	Bolt - Carriage, 3/8-16 x 1-1/2 long, Grade 8 (only used with bolt-on application)	5



Serviceable Parts for LA-86

Platform Assembly

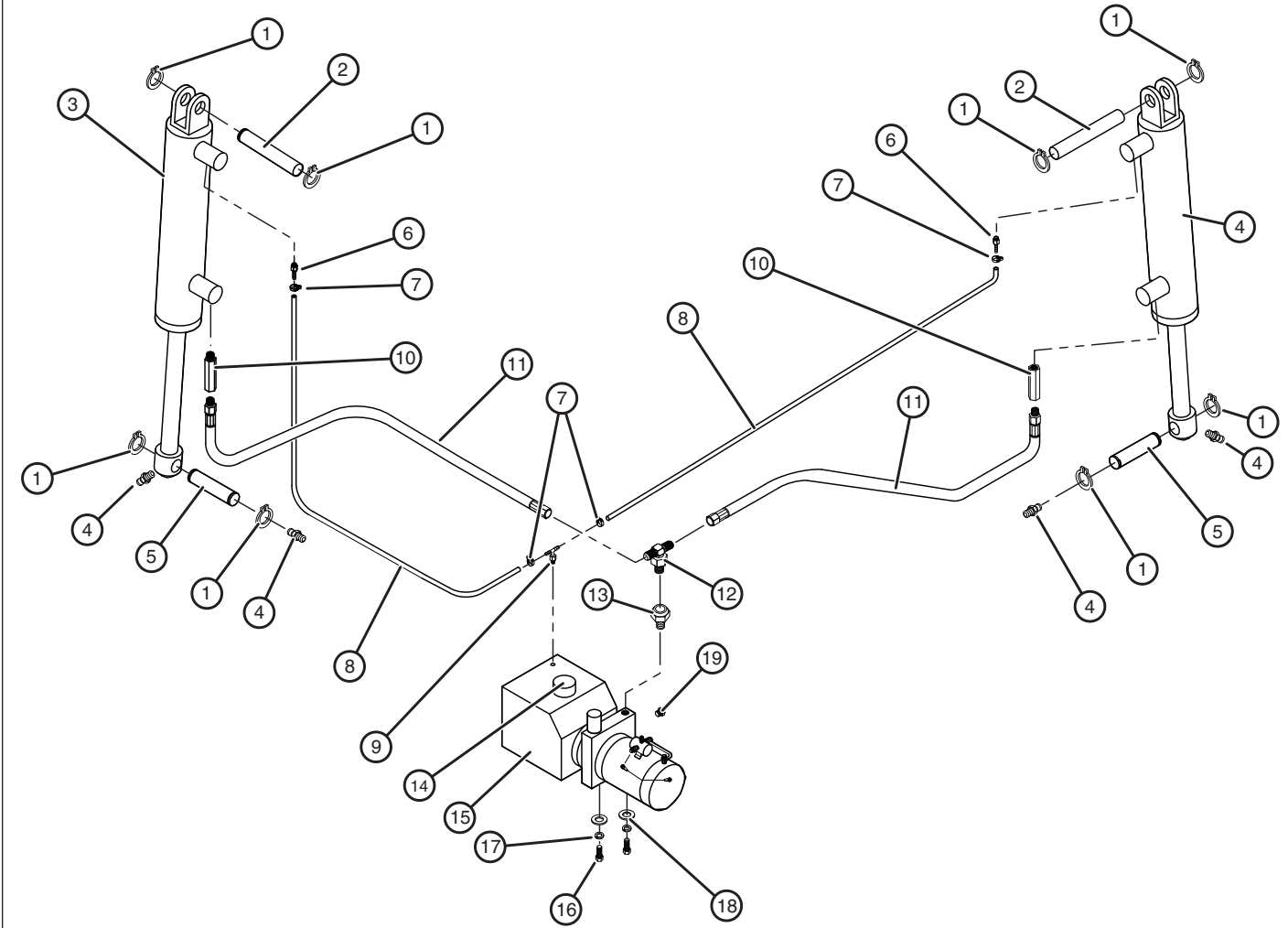
<i>Item</i>	<i>Part No.</i>	<i>Description</i>	<i>Quantity</i>
1	5417	Grease Fitting (straight, zerk)	6
2	A-150060	Retaining Ring	6
3	A-144054	Flat Washer 1"	2
4	A-150142	Pin - Connecting Plate (2-13/16" long)	2
5	A-150721	Connecting Plate - Streetside (left)	1
6	A-132031	Screw, Button Head Allen, Stainless Steel, 5/16-18 x 3/4" long	6
7	6611	Lock Washer, 5/16"	6
8	A-150770	Platform Stop Angle Plate	2
9	A-150720	Connecting Plate - Curbside (right)	1
10	A-150067	Cotter Pin	2
11	A-150065	Flat Washer, 1/2"	2
12	A-150066	Spring	2
13	A-150761	Cable Assembly, Platform Latch	1
14	A-150722	Torsion Bar	1
15	A-132025	Set Screw, 3/8-16 x 1/2" long	1
16	2019	Bolt, 3/8-16 x 2" long	2
17	2054	Lock Washer, 3/8"	2
18	SG-1027	Platform (85 x 41 + 6)	1
19	2145	Bolt, Flange, 5/16-18	2
20	A-150910	Guide, Spring	2
21	A-150911	Spring	2
22	A-150903	Cart Stop Latch	2
23	A-150904	Cart Stop Latch Spring	2
24	6608	Bolt, 5/16-18 x 1" long	2



Serviceable Parts for LA-86

Hydraulic System

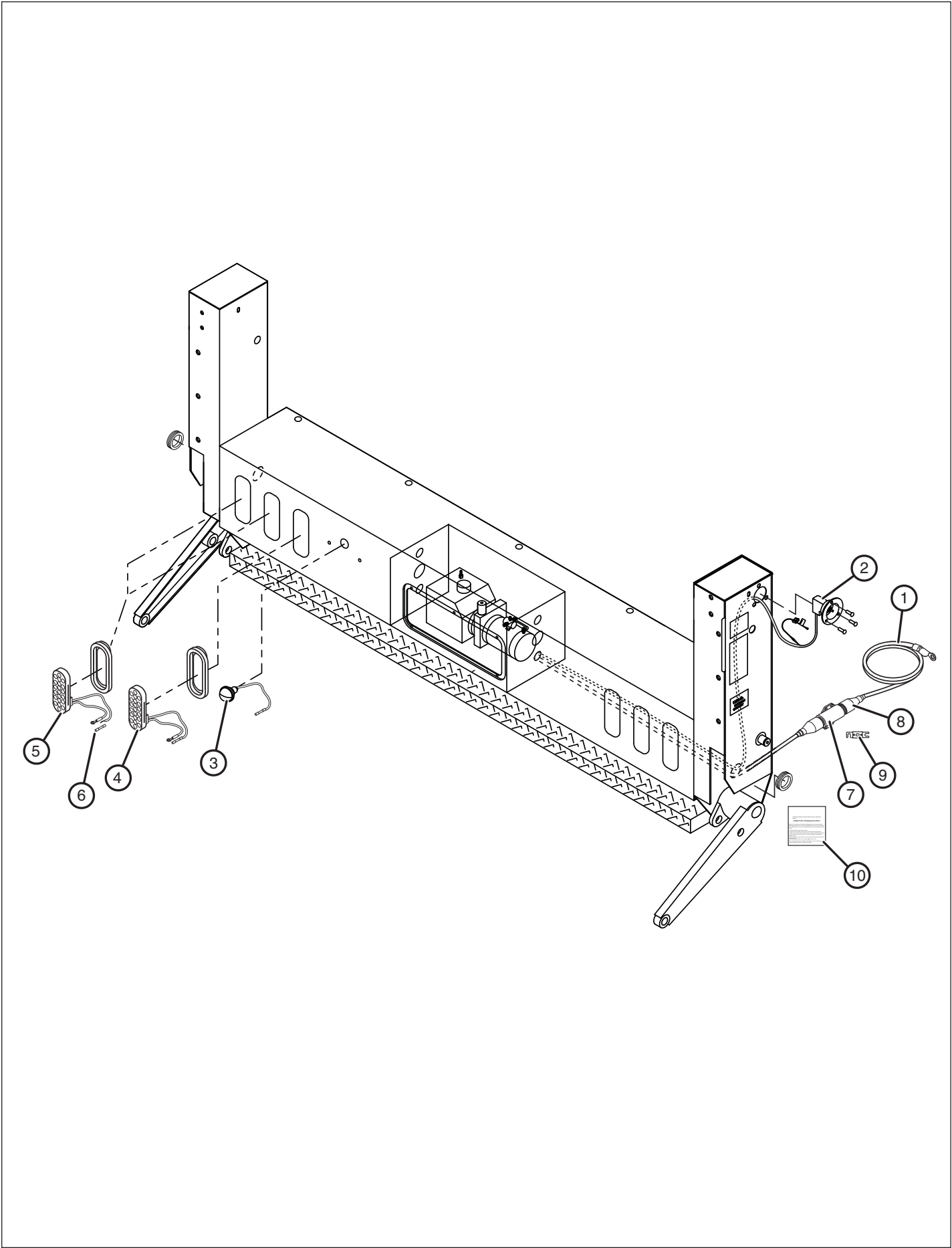
<i>Item</i>	<i>Part No.</i>	<i>Description</i>	<i>Quantity</i>
1	A-150060	Retaining Ring, 1"	8
2	A-150143	Pin - Upper Cylinder	2
3	A-150963 A-130135	Hydraulic Lift Cylinder Seal Kit, Hydraulic Cylinder	2
4	5417	Grease Fitting (straight, zerk)	4
5	A-150144	Pin - Lower Cylinder	2
6	A-130162	Fitting, Barbed Return Vent	2
7	A-170260	Stainless Steel Hose Clamp (7/32" MIN. - 5/8" MAX.)	4
8	A-150762	Air Return (vent) Hose (one 80' and one 64")	1
9	A-130029	Fitting, Tee, Barbed Return Vent	1
10	A-150100	Valve - Flow Control (1.5 pgm)	2
11	A-130287	Hose, High-Pressure Hydraulic	2
12	A-130151	Fitting, Tee, High-Pressure	1
13	A-130189	Fitting, High-Pressure Swivel	1
14	A-130033	Fill Cap, Vented	1
15	A-130116	Power Pack 12 Volt DC (Monarch/Bucher)	1
16	764 A-132051	Bolt, 3/8 x 3/4" lg. Bolt, M10 x 1.5 20 mm long	2
17	2054 A-132052	Lock Washer, 3/8" Lock Washer, 10 mm	2
18	2058	Flat Washer 3/8"	2
19	A-130063	Plug	1



Serviceable Parts for LA-86

Electrical System

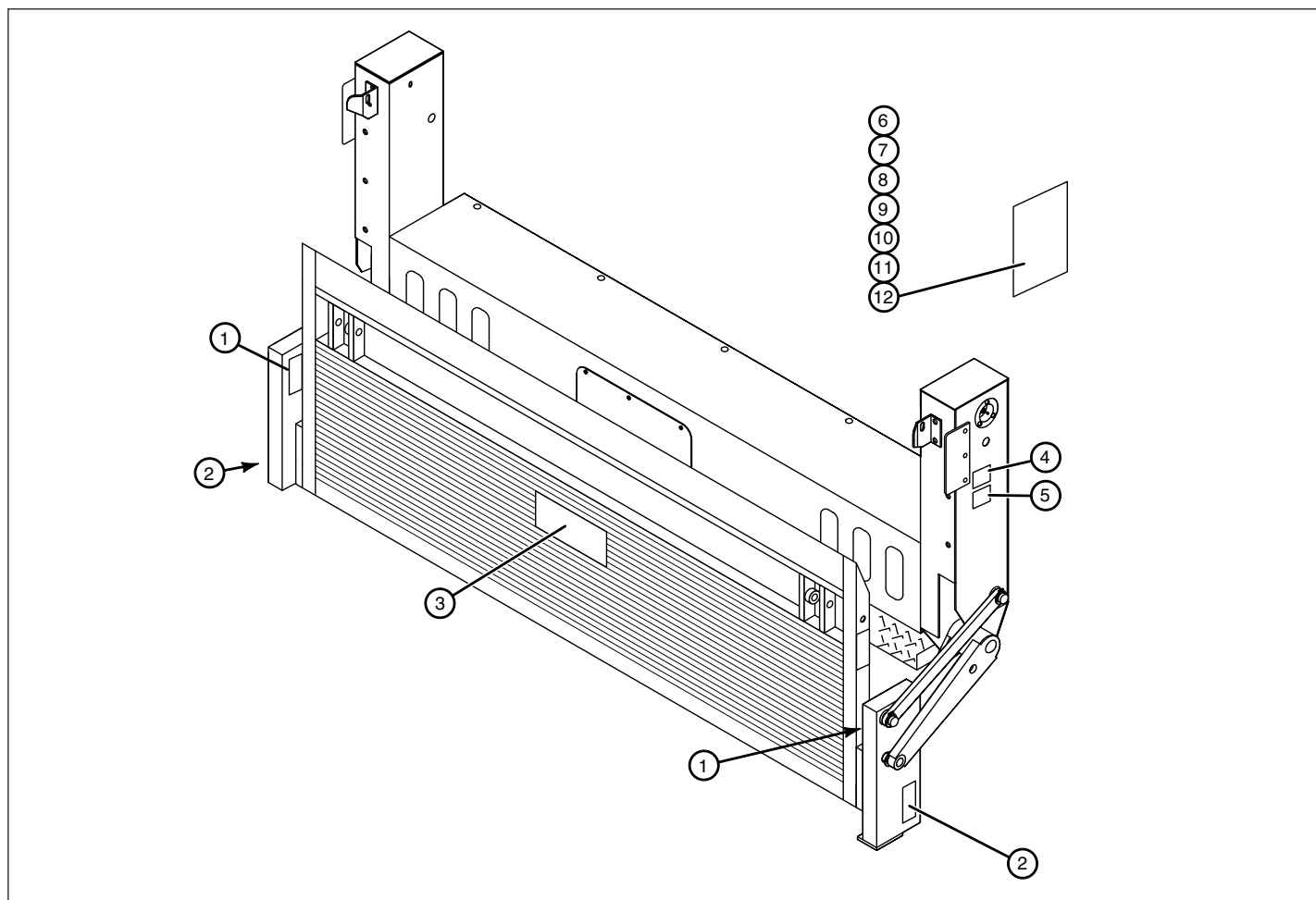
<i>Item</i>	<i>Part No.</i>	<i>Description</i>	<i>Quantity</i>
1	A-133091	Power Cable, 4 Gauge, with 200 Amp Fuse Assembly	1
2	A-135102	Toggle Switch Assembly (Up & Down) with Recessed Switch Plate A-150455 Recessed Switch Plate - Steel (only) A-150437, Fuse Holder A-150438, Fuse, 10 Amp A-131001, Decal, Fuse Holder	1
3	A-150091	License Plate Light	1
4	AR-18-154	Light - Clear, Back-up (w/grommet & wiring harness)	2
5	AR-18-153	Light - Red, Stop, Tail & Turn (w/grommet & wiring harness)	4
6	A-150465	Connector, Electrical Wire, Back Up and Tail Lights	As Required
7	A-133062	Fuse Holder Assembly	1
8	A-133048	Rubber Boot, Seal	2
9	A-133063	Fuse, 150 Amp	1
10	A-131036	Decal, Fuse Change Procedure	1



Serviceable Parts for LA-86

Decals

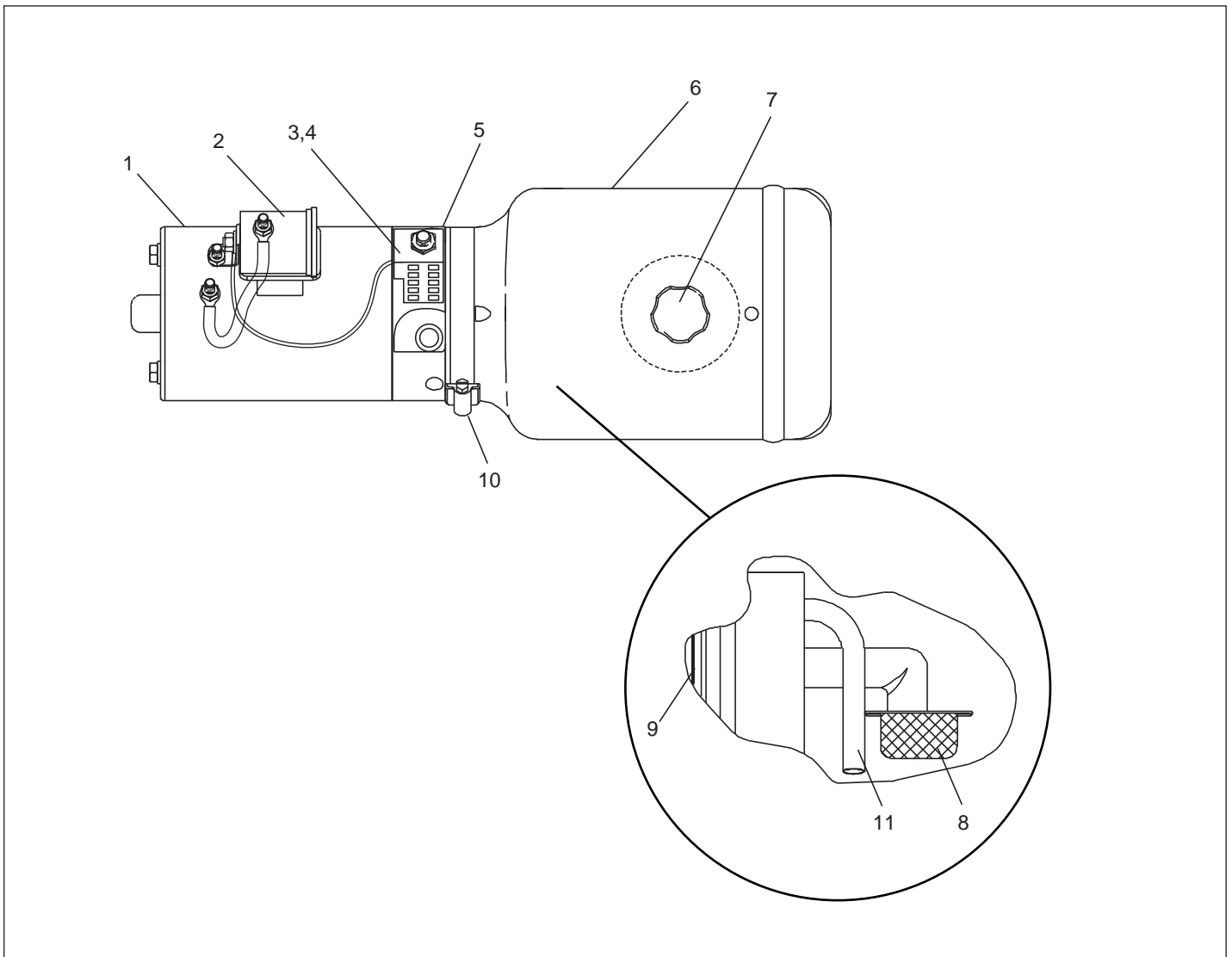
Item	Part No.	Description	Quantity
1	ATU-146	Decal - "Stand Clear" (shipped loose for attachment to vehicle)	2
2	AR-18-76	Decal - "Caution: Pinch Point"	2
3	998420	Decal, "Anthony"	1
4	A-150601	Decal - "Made In America"	1
5	A-131026	Decal, "Zero Leak Concept"	1
6	A-131065	Decal - "Maximum Capacity 1900#" (shipped loose for attachment to vehicle)	1
7	A-131113	Decal - "Operation" (shipped loose for attachment to vehicle)	1
8	Q-003013	Decal - "Urgent Warning" (shipped loose for attachment to vehicle)	1
9	A-131017	Decal - "Disengage Latch" (shipped loose for attachment to vehicle)	1
10	A-131028	Decal - "Weld Warning" (shipped loose for attachment to vehicle)	1
11	A-150238	Decal - "Notice, Circuit Protection" (shipped loose for attachment to vehicle)	1
12	ATU-141	Decal - "Secure Latch" (shipped loose for attachment to vehicle)	1
NS	A-131036	Decal, Heavy Plastic - "Fuse Changing Procedure" (attached to power cable)	1
NS	A-150887	Decal Kit and Instruction Package (contains all decals and Operation Manual)	1



Serviceable Parts for LA-86

A-130116 Power Unit

Item	Part No.	Description
1	A-150018	Motor
2	ATU-120	Motor Start Solenoid
3	A-130272	Lowering Valve with Coil
4	ATU-585	Lowering Coil
5	A-130156	Pump
6	A-150635	Plastic Reservoir
7	A-130033	Plastic Reservoir Cap
8	A-150015	Suction Filter
9	A-150019	O-ring for Plastic Reservoir
10	ATU-565	Clamp, Plastic Reservoir
11	A-150016	Suction Tube



NOTES



Anthony Liftgates, Inc.
1037 W. Howard Street • P.O. Box 615 • Pontiac, IL 61764-0615
Ph: 815.842.3383 • Fax: 815.844.3612 • Toll Free: 800.482.0003
www.anthonyliftgates.com