

**ANTHONY**  
LIFTGATES, INC.™

**MTU-GLR-WR**



# PARTS MANUAL

For Magnum Tuckunder™ Hydraulic Liftgates

## MODELS

MTU-GLR-WR-3

MTU-GLR-WR-4



QUALITY, RELIABILITY, CUSTOMER SERVICE

MADE IN THE USA 



# Contents

1. General Information Section MTU-GLR-WR Only	3
2. Dock Bumper and Decals	4
3. Walk Ramp Assembly	6
4. Pump Box	8
5. Hydraulic Power Pack	10
6. Frame Mounting Assembly	12
7. Rocker Assembly	14
8. Hydraulic Cylinders (former style)	16
9. Lift Frame	20
10. Platform Assemblies	21
11. Main Platform	22
12. Flip-Over Platform (Aluminum)	24
13. Fuse Assembly and Miscellaneous Accessories	26
14. Control Switch Assembly	28
15. Pin and Bushing Kits	30
16. Safety and Instructional Decals	32

## 1. General Information Section MTU-GLR-WR Only

---

### 1.1 Ordering Parts

We manufacture a quality liftgate that requires very little maintenance or repair. However, should a part break, become damaged, or worn, our knowledgeable staff can make sure you receive the part(s) to put your liftgate back into operation.

**Note:** The liftgate's packet of information does not contain a "parts manual." The most current and up-to-date parts manuals can be obtained by accessing our website anytime.

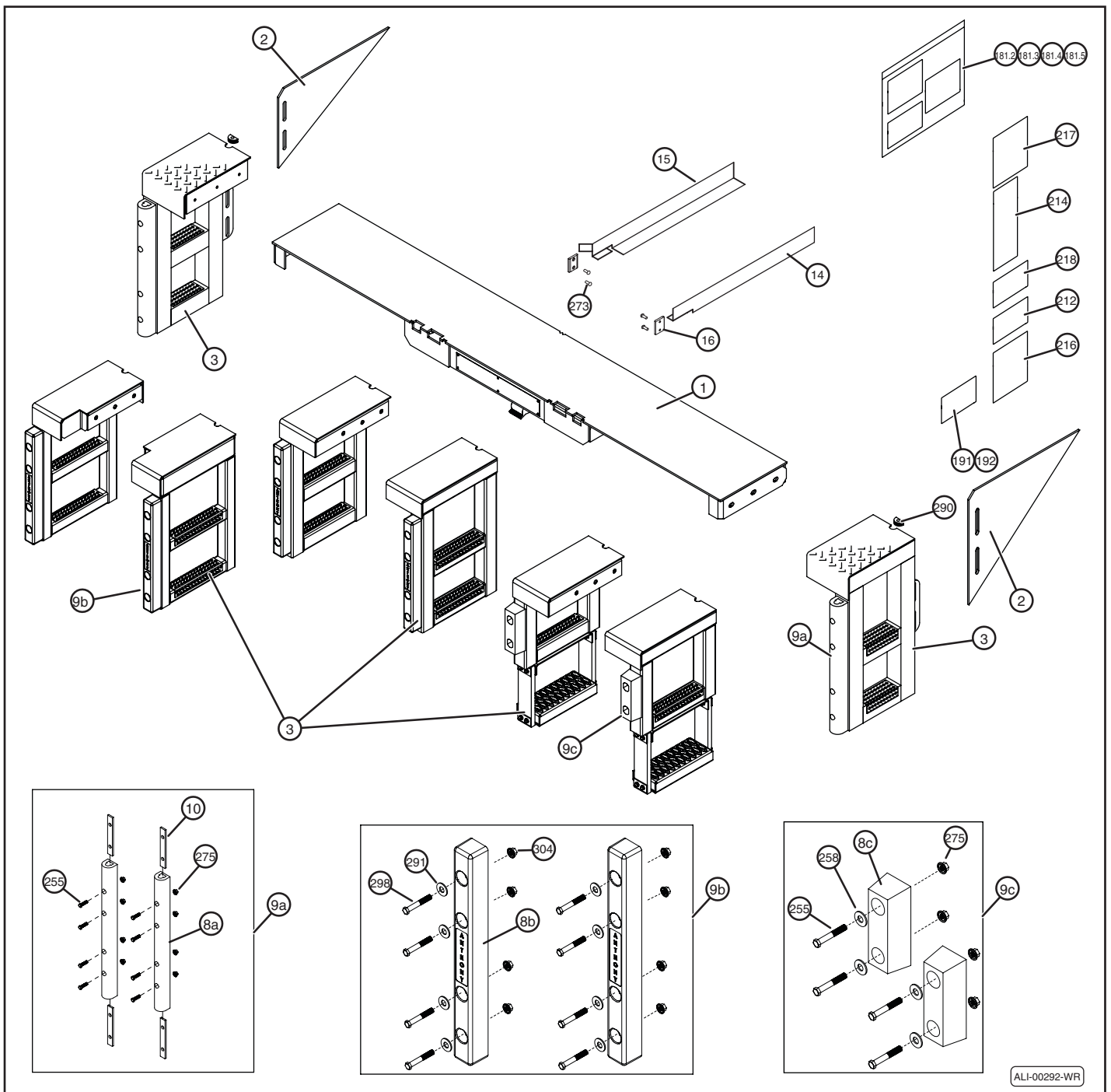
Our website address is **[www.anthonyliftgates.com](http://www.anthonyliftgates.com)**  
Click on "Manual" and choose a model.

If you do not have access to the internet, or just prefer a printed copy of a manual, we can send one to you. Call or write our office listed below.

For questions or to order parts, contact:

**Anthony Liftgates, Inc.**  
**1037 West Howard Street**  
**Pontiac, Illinois 61764**  
**(815) 842-3383**  
**Web: [www.anthonyliftgates.com](http://www.anthonyliftgates.com)**  
**Email: [Sales@anthonyliftgates.com](mailto:Sales@anthonyliftgates.com)**

## 2. Dock Bumper and Decals

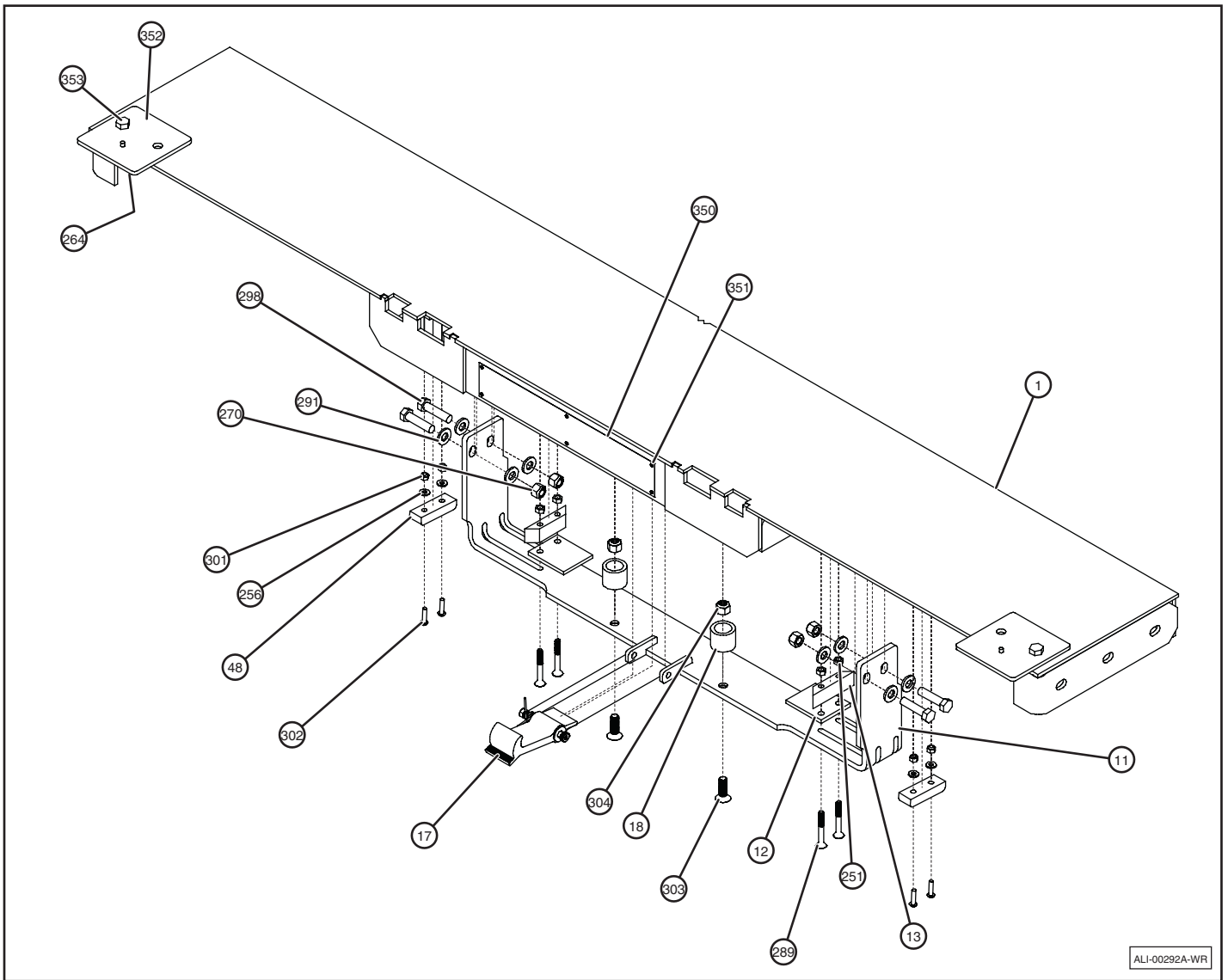


Item	Part Number	Description	Qty.
1	A-140473	96" FLOOR EXTENSION ASSY - WR GATE (1/4" DECK)	1
	A-140473-G	96" FLOOR EXTENSION ASSY - WR GATE (1/4" DECK)	
	A-140474	102" FLOOR EXTENSION ASSY - WR GATE	
	A-140474-G	102" FLOOR EXTENSION ASSY - WR GATE	
2	ATU-200	GUSSET-FOR DOCK BUMPER/STEPS	2
	ATU-200-G	GUSSET-FOR DOCK BUMPER/STEPS	2
	A-140685-R	GUSSET-FOR XD DOCK BUMPER/STEPS	1
	A-140685-R-G	GUSSET-FOR XD DOCK BUMPER/STEPS	1
	A-140685-L	GUSSET-FOR XD DOCK BUMPER/STEPS	1
	A-140685-L-G	GUSSET-FOR XD DOCK BUMPER/STEPS	1

Item	Part Number	Description	Qty.
3	A-140452	DOCK BUMPER SET WITH PADS AND GUSSETS (96" ONLY) WALKRAMP	1
	A-140452-G	DOCK BUMPER SET WITH PADS AND GUSSETS (96" ONLY) WALKRAMP	
	A-140430	DOCK BUMPER SET WITH PADS AND GUSSETS (102" ONLY) 16" DEEP	
	A-140430-G	DOCK BUMPER SET WITH PADS AND GUSSETS (102" ONLY) 16" DEEP	
	A-140940	DOCK BUMPER 1-STEP WITH FLEXI-STEP SET WITH PADS AND GUSSETS (102" ONLY) 16" DEEP	
	A-140940-G	DOCK BUMPER 1-STEP WITH FLEXI-STEP SET WITH PADS AND GUSSETS (102" ONLY) 16" DEEP	
8a	—	DOCK BUMPER PAD (replaced by ATU-798)	2
8b	ATU-798	DOCK BUMPER PAD (20")	
8c	ATU-793	DOCK BUMPER PAD (8")	
9a	—	DOCK BUMPER PAD KIT(replaced by ATU-1119)	1
9b	ATU-1119	DOCK BUMPER PAD KIT (20")	
9c	ATU-126	DOCK BUMPER PAD KIT (8")	
10	ATU-203	BUMPER REINFORCEMENT BAR	4
14	A-140441	WALKRAMP GUIDE	1
15	A-140442	WALKRAMP GUIDE	1
16	AR-18-229	PLASTIC SLIDE	2
181.2	A-140120	DECAL/INSTALL KIT (3000LB CAPACITY) <sup>1</sup>	1
181.3	A-140120-S	DECAL/INSTALL KIT (3000LB CAPACITY) <sup>1</sup>	1
181.4	A-140121	DECAL/INSTALL KIT (4000LB CAPACITY) <sup>1</sup>	1
181.5	A-140121-S	DECAL/INSTALL KIT (4000LB CAPACITY) <sup>1</sup>	1
191	ATU-147	DECAL: 3000LB <sup>1</sup>	1
192	A-171433	DECAL: 4000LB <sup>1</sup>	1
212	ATU-141	DECAL: AFTER USING LIFTGATE <sup>1</sup>	1
	ATU-141-S	DECAL-SPANISH: AFTER USING LIFTGATE <sup>1</sup>	
214	ATU-423	DECAL: OPERATING INSTRUCTIONS <sup>1</sup>	1
	ATU-423-S	DECAL-SPANISH: OPERATING INSTRUCTIONS <sup>1</sup>	
216	Q-003013	DECAL: URGENT WARNING <sup>1</sup>	1
217	A-131115	DECAL: PERSONAL INJURY <sup>1</sup>	1
218	A-150238	DECAL: PROTECTED WITH ELECTRICAL OVERLOAD CIRCUIT BREAKER <sup>1</sup>	1
	A-150238-S	DECAL: PROTECTED WITH ELECTRICAL OVERLOAD CIRCUIT BREAKER <sup>1</sup>	
	A-150238-C	DECAL: PROTECTED WITH ELECTRICAL OVERLOAD CIRCUIT BREAKER <sup>1</sup>	
255	2019	3/8-16 X 1.75" BOLT	4
258	2058	3/8" FLAT WASHER	4
273	A-132030	RIVET	4
275	A-132038	3/8-16 FLANGE NUT, WHIZ-LOCK	4
290	A-140116	GROMMET, RUBBER	2
291	A-150065	1/2" FLAT WASHER	4
298	ATU-259	1/2-13 X 2" GRADE 8 BOLT	4
304	A-132301	1/2-13 NYLOCK GR8 NUT ZP	2

<sup>1</sup> Refer to Section 16 for a complete list and picture of the decals.

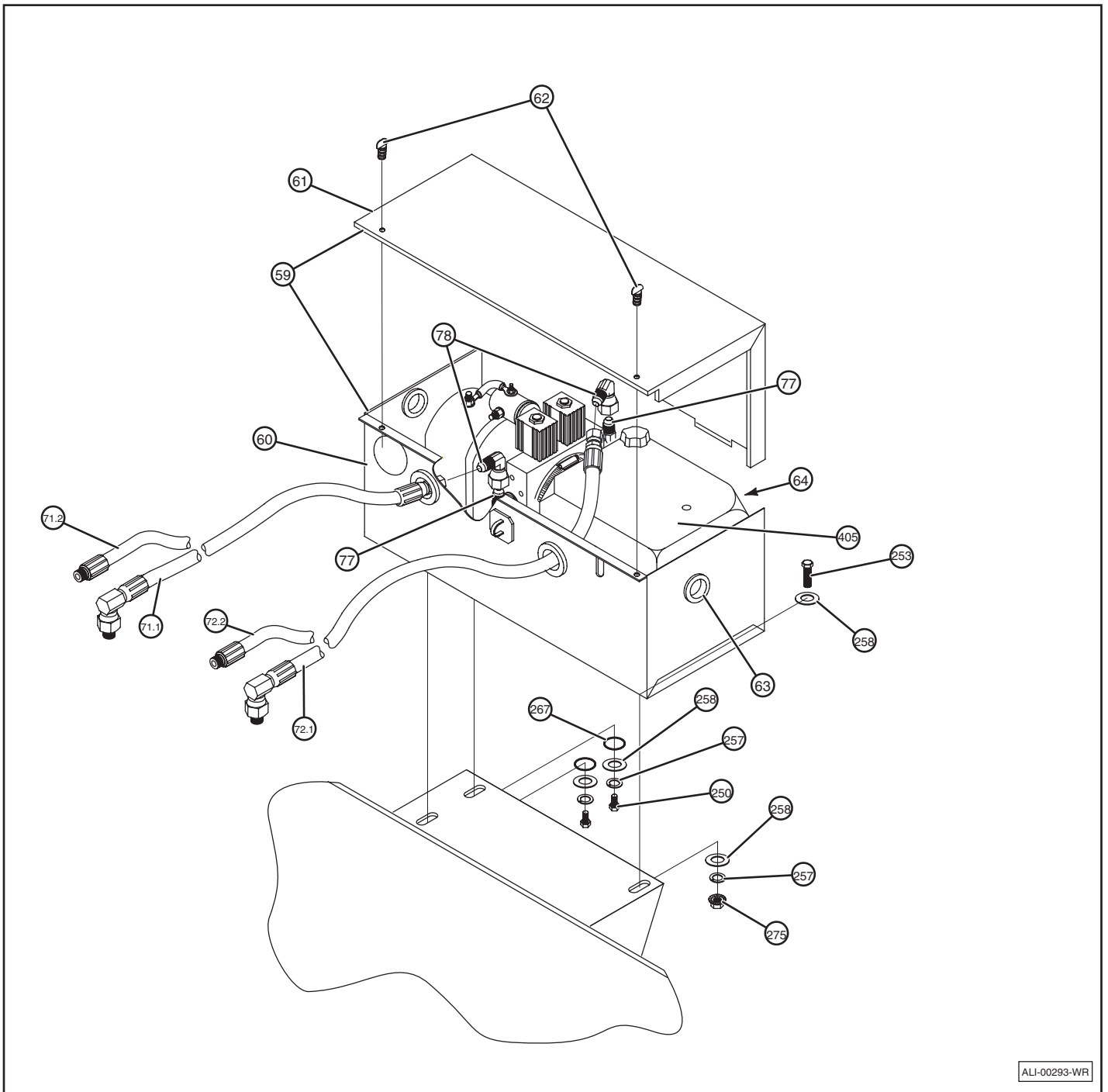
### 3. Walk Ramp Assembly



Item	Part Number	Description	Qty.
1	A-140425 A-140426	FLOOR EXTENSION W/M: MTU-GLR-WR 96" FLOOR EXTENSION W/M: MTU-GLR-WR 102"	1
11	A-140464	WALKRAMP SUPPORT WELDMENT	1
12	A-140437	WALKRAMP GLIDE PAD	2
13	A-140466	RAMP GUIDE-PLASTIC	2
17	A-140475	MTU-GLR-WR LATCH KIT	1
18	A-140463	WALKRAMP STOP BUSHING	2
48	A-140090	WEAR PAD/BUMPER	2
251	862	5/16-18 LOCKNUT	4
256	2051	1/4" F/W ZP	4
264	3139	1/2-13 HEX NUT GR8 ZP	2
270	A-132024	1/2-13 LOCKNUT	4
289	A-132326	5/16-18 X 2.5" FH S/C/S ZP	4
291	A-150065	1/2" SAE F/W 17/32" ID X 1-1/16" OD ZP	8
298	ATU-259	1/2-13 X 2" H/H C/S GR. 8 ZP	4
301	ATU-359	1/4-20 TOP L/N GR. C ZP	4
302	S-047004	1/4-20 X 1" SLOTTED RDHD M/S ZP	4
303	A-132331	1/2-13 x 1.5" FH S/C/S ZP	2
304	A-132301	1/2-13 NYLOCK GR8 NUT ZP	2
350	ATU-1506	ALUMINUM ANTHONY NAMEPLATE	1
351	A-132325	1/8" ALUM RIVET, .188-.250 GRIP	6
352	A-140959	MTU INSTALL BRACKET W/M	2
353	A-132085	1/2-13 X 1.0 GR8 HEX BOLT	2



# 4. Pump Box

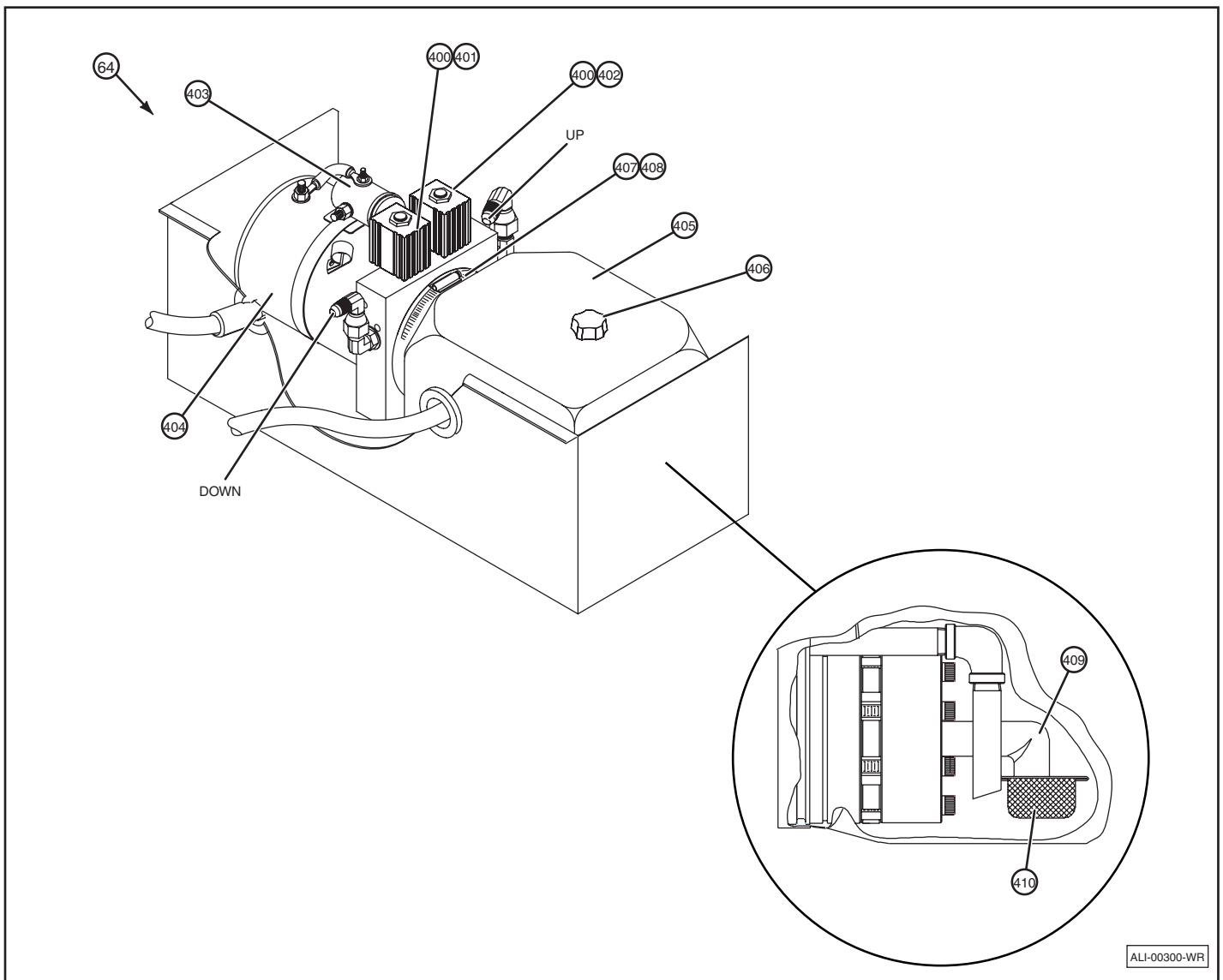


ALI-00293-WR



Item	Part Number	Description	Qty.
59	ATU-586	PUMP BOX-COMplete	1
60	ATU-531	PUMP BOX ENCLOSURE	1
61	ATU-533	PUMP BOX COVER (AFTER 2-1-13)	1
62	A-132029	5/16-18 X .75" THUMBSCREW, PLATED	2
63	ATU-137	RUBBER GROMMET	4
64	A-130166 A-130214	MTU POWER PACK UNIT (COMPLETE, 3000LB CAPACITY) MTU POWER PACK UNIT (COMPLETE, 4000-6000LB CAPACITY)	1
65	ATU-637	SPACER (UNDER PUMP) (NOT SHOWN)	1
71.1	A-130212	HYDRAULIC HOSE ASSY (T-BLOCK TO POWER PACK UNIT, "DOWN", 14")	1
71.2	A-140380	HYDRAULIC HOSE ASSY (POWER PACK TO TRAY, "DOWN", 24")	1
72.1	A-130213	HYDRAULIC HOSE ASSY (T-BLOCK TO POWER PACK UNIT, "UP", 22")	1
72.2	A-130381	HYDRAULIC HOSE ASSY (POWER PACK TO TRAY, "UP", 35")	1
77	A-130140	FITTING: 90DEG ADAPTER (MALE SAE#6 TO MALE JIC#6)	2
78	A-130142	90DEG ELBOW (MALE JIC#6 TO FEMALE JIC#6)	2
250	25	3/8-16 X 1.5" HEX BOLT	2
253	874	3/8-16 X 1" HEX BOLT	1
257	2054	3/8" LOCKWASHER	3
258	2058	3/8" FLAT WASHER	4
267	A-132011	3/8" EXTERNAL STAR WASHER	2
275	A-132038	3/8-16 FLANGE NUT, WHIZ-LOCK	1
405	A-150635	RESERVOIR (INCLUDES FILLER/VENT CAP)	1

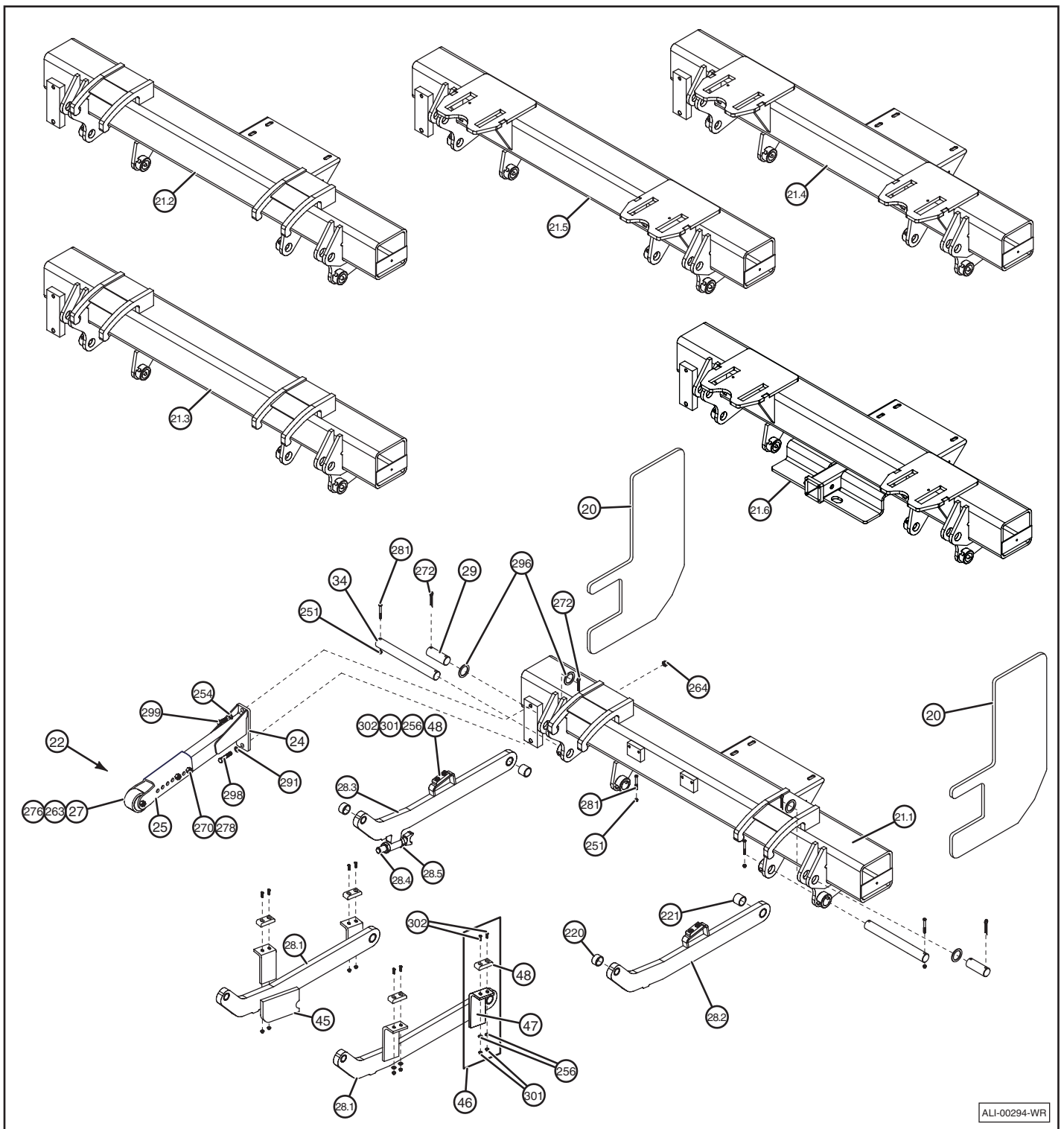
## 5. Hydraulic Power Pack



Item	Part Number	Description	Qty.
64	A-130166	MTU POWER PACK UNIT w/o ENCLOSURE (COMPLETE, 3000LB CAPACITY)	1
	A-130214	MTU POWER PACK UNIT w/o ENCLOSURE (COMPLETE, 4000-6000LB CAPACITY)	
400	A-176315	COIL ONLY, 12VDC	1
401	A-130216	VALVE/12VDC COIL/CARTRIDGE COMBINATION (LOWER, SINGLE O-RING, GREEN WIRE)	1
402	A-130215	VALVE/12VDC COIL/CARTRIDGE COMBINATION (RAISE, TRIPLE O-RING, RED WIRE)	1
403	ATU-120	SOLENOID RELAY, 12VDC MOTOR RUN	1
404	A-150018	MOTOR, 12VDC, NO THERMAL SWITCH	1
405	A-150635	RESERVOIR (INCLUDES FILLER/VENT CAP)	1
406	A-150546	FILLER/VENT CAP	1
407	ATU-565	RESERVOIR ATTACHMENT CLAMP	1
408	A-150019	RESERVOIR ATTACHMENT O-RING	1
409	A-150015	FILTER NIPPLE	1
410	A-150016	FILTER SCREEN	1

# NOTES

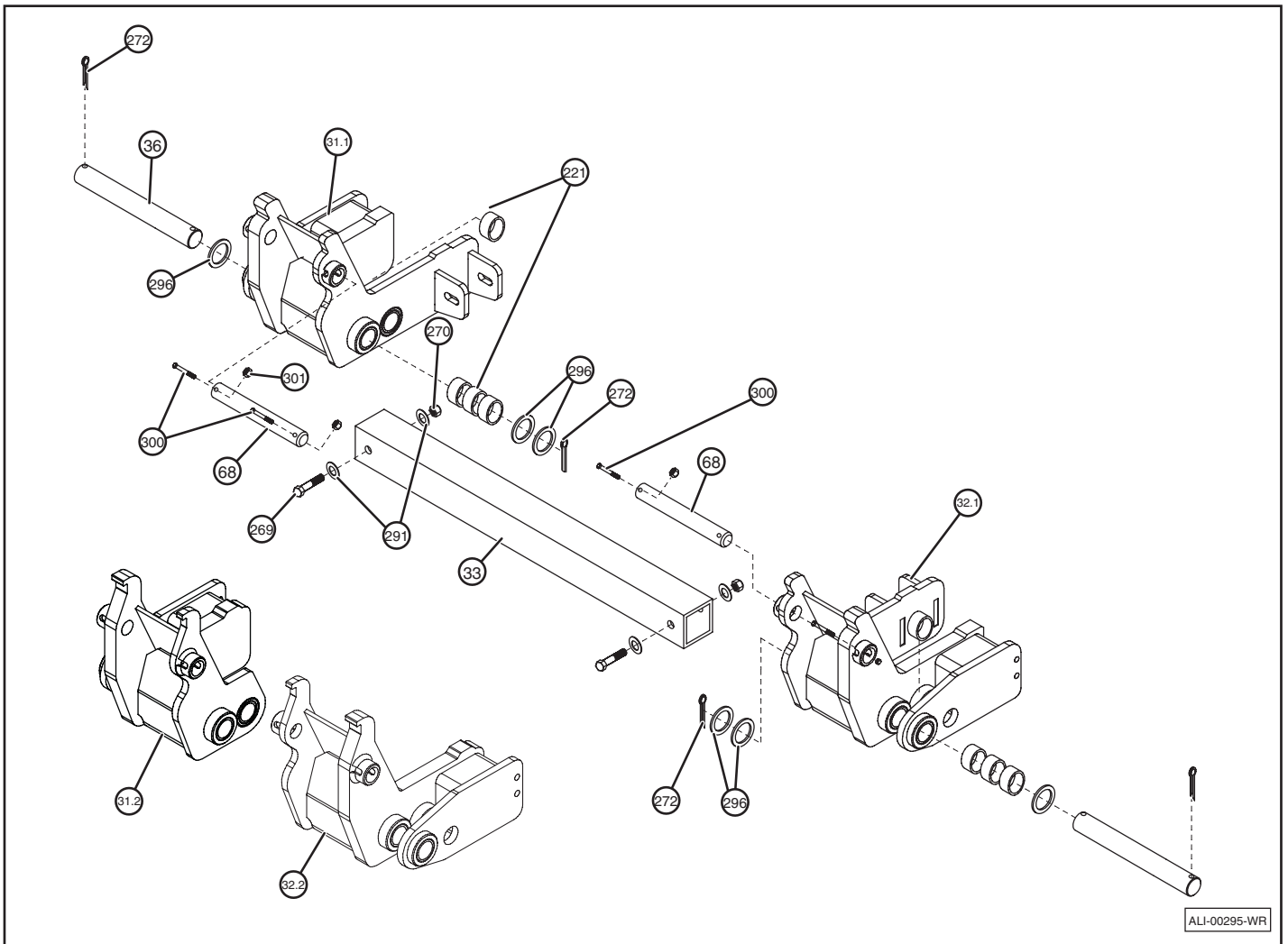
## 6. Frame Mounting Assembly



Item	Part Number	Description	Qty.	
20	A-140022	MOUNTING PLATE	2	
	A-140022-G	MOUNTING PLATE		
21.1	A-140400	ADAPTER FRAME WELDMENT - WR (IMP. GRND CLRNCE-GEN2)	1	
	A-140400-G	ADAPTER FRAME WELDMENT - WR (IMP. GRND CLRNCE-GEN2)		
	21.2	A-140846		ADAPTER FRAME WELDMENT - WR (OUTBOARD WHEEL ARM, HOSE TRAY-GEN2)
		A-140846-G		ADAPTER FRAME WELDMENT - WR (OUTBOARD WHEEL ARM, HOSE TRAY-GEN2)

Item	Part Number	Description	Qty.
21.3	A-140847	ADAPTER FRAME WELDMENT-LESS PUMP BOX - WR (OUTBOARD WHEEL ARM, HOSE TRAY-GEN2)	1
	A-140847-G	ADAPTER FRAME WELDMENT-LESS PUMP BOX - WR (OUTBOARD WHEEL ARM, HOSE TRAY-GEN2)	
21.4	A-140870	ADAPTER FRAME WELDMENT - WR (FLAT ROCKER STOP-GEN3)	
	A-140870-G	ADAPTER FRAME WELDMENT - WR (FLAT ROCKER STOP-GEN3)	
21.5	A-140871	ADAPTER FRAME WELDMENT-LESS PUMP BOX - WR (FLAT ROCKER STOP-GEN3)	
	A-140871-G	ADAPTER FRAME WELDMENT-LESS PUMP BOX - WR (FLAT ROCKER STOP-GEN3)	
21.6	A-140936	ADAPTER FRAME WELDMENT WITH HITCH (GEN3)	
22	A-140419	WHEEL ARM ASSY - WR	1
	A-140419-G	WHEEL ARM ASSY - WR	
24	A-140420	WHEEL ARM BASE WELDMENT - WR	1
	A-140420-G	WHEEL ARM BASE WELDMENT - WR	
25	A-140422	WHEEL ARM CHANNEL - WR	1
	A-140422-G	WHEEL ARM CHANNEL - WR	
27	ATU-123	WHEEL ARM WHEEL (INCL. NUT AND BOLT; A-132039 & 2184)	1
28.1	A-140217	RADIUS ARM ASSY (INCL. BUSHINGS)	2
	A-140217-G	RADIUS ARM ASSY (INCL. BUSHINGS)	
28.2	A-140947	RADIUS ARM ASSY RH W/PLATFORM STOP	2
28.3	A-140948	RADIUS ARM ASSY LH W/GATE LATCH & PLATFORM STOP	2
28.4	A-140891	LATCH PIN	1
28.5	A-132337	1"-8 JAM NUT	2
29	A-140046	PIN: RADIUS ARM TO ADAPTER FRAME (DIAM.: 1.25", 3.5" LONG)	2
34	A-140175	PIN: ROCKER TO ADAPTER FRAME (DIAM: 1.25", 11.875" LONG)	2
45	ATU-558	LATCH LOCKING PLATE (SHIPPED LOOSE, WELDED ON BY INSTALLER) (not applicable with 28.2 and 28.3)	1
	ATU-558-G	LATCH LOCKING PLATE (SHIPPED LOOSE, WELDED ON BY INSTALLER)	
46	A-140319	PLATFORM SUPPORT BRACKET ASSY (SHIPPED LOOSE, WELDED ON BY INSTALLER) (not applicable with 28.2 and 28.3)	4
	A-140319-G	PLATFORM SUPPORT BRACKET ASSY (SHIPPED LOOSE, WELDED ON BY INSTALLER)	
47	A-140086	PLATFORM SUPPORT BRACKET (not applicable with 28.2 and 28.3)	4
	A-140086-G	PLATFORM SUPPORT BRACKET	
48	A-140090	BUMPER PAD	2-4
220	ATU-426	COMPOSITE BUSHING, 1" ID X 1.25" OD X 1" LONG	2
221	ATU-428	COMPOSITE BUSHING, 1.25" ID X 1.5" OD X 1" LONG	2
251	862	5/16-18 LOCKNUT	4
254	1691	1/2" LOCKWASHER	1
256	2051	1/4" FLAT WASHER	4-8
263	2184	3/8-24 LOCKNUT	1
264	3139	1/2-13 NUT	1
270	A-132024	1/2-13 LOCKNUT	2
272	A-132027	COTTER PIN: 1/4" DIAM X 2" LONG, STAINLESS STEEL	4
276	A-132039	3/8-24 X 3" GRADE 8 BOLT	1
278	A-132112	1/2-13 X 2.5" GRADE 8 BOLT	2
281	A-132132	5/16-18 X 2.5" HEX BOLT	4
291	A-150065	1/2" FLAT WASHER	1
296	ATU-134	RING WASHER: 1.25" ID X 1.875" OD X .125" THICK	4
298	ATU-259	1/2-13 X 2" GRADE 8 BOLT	1
299	ATU-260	1/2-13 X 1.25" GRADE 8 BOLT	1
301	ATU-359	1/4-20 LOCKNUT	8
302	S-047004	1/4-20 X 1" SLOTTED ROUND HEAD BOLT	8

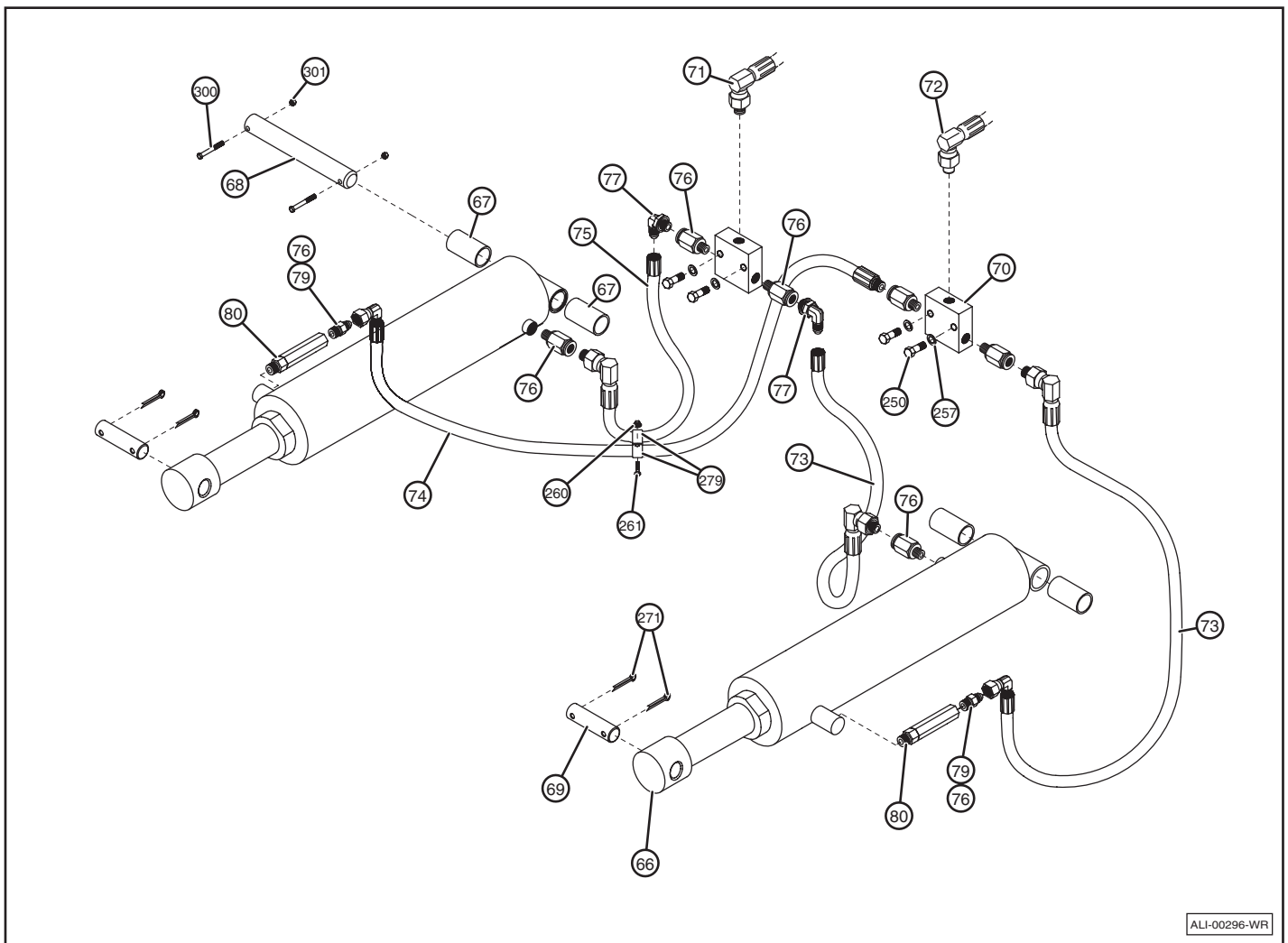
# 7. Rocker Assembly



Item	Part Number	Description	Qty.
31.1	A-140274	LH ROCKER WITH BUSHINGS - IMP. GRND CLRNCE-GEN2	1
	A-140274-G	LH ROCKER WITH BUSHINGS - IMP. GRND CLRNCE-GEN2	
31.2	A-140874	LH ROCKER WITH BUSHINGS - FLAT TOP STOP-GEN3	
	A-140874-G	LH ROCKER WITH BUSHINGS - FLAT TOP STOP-GEN3	
32.1	A-140273	RH ROCKER WITH BUSHINGS - IMP. GRND CLRNCE-GEN2	1
	A-140273-G	RH ROCKER WITH BUSHINGS - IMP. GRND CLRNCE-GEN2	
32.2	A-140873	RH ROCKER WITH BUSHINGS - FLAT TOP STOP-GEN3	
	A-140873-G	RH ROCKER WITH BUSHINGS - FLAT TOP STOP-GEN3	
33	A-140284	TORSION STRUT - IMP. GRND CLRNCE - GEN2	1
	A-140284-G	TORSION STRUT - IMP. GRND CLRNCE - GEN2	
36	A-140176	PIN: ROCKER TO LIFTFRAME (DIAM: 1.25", 11.875" LONG)	2
68	A-140174	PIN: CYLINDER UPPER (DIAM: 1", 8.125" LONG) GEN1&2	2
	A-140864	PIN: CYLINDER UPPER (DIAM: 1", 8.375" LONG) GEN3	
221	ATU-428	COMPOSITE BUSHING, 1.25" ID X 1.5" OD X 1" LONG	8
269	A-132019	1/2-13 X 4" BOLT	2
270	A-132024	1/2-13 LOCKNUT	2
272	A-132027	COTTER PIN: 1/4" DIAM X 2" LONG, STAINLESS STEEL	4
291	A-150065	1/2" FLAT WASHER	4
296	ATU-134	RING WASHER: 1.25" ID X 1.875" OD X .125" THICK	6
300	ATU-358	1/4-20 X 2" GRADE 8 BOLT	4
301	ATU-359	1/4-20 LOCKNUT	4



## 8. Hydraulic Cylinders (former style)

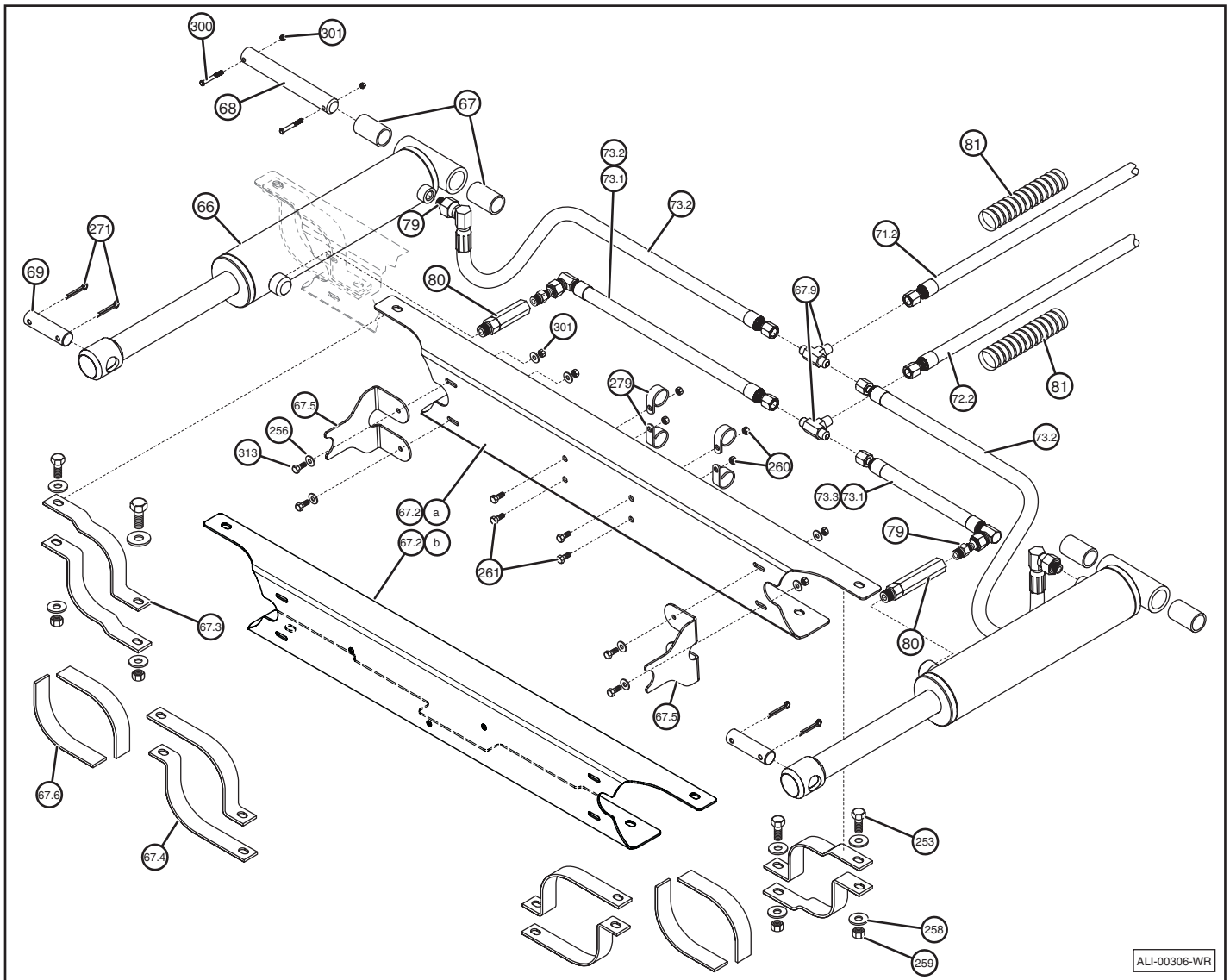


ALI-00296-WR

Item	Part Number	Description	Qty.
66	A-130113	HYDRAULIC CYLINDER ASSY 3000LB CAPACITY, INCL. BUSHINGS	2
	A-130114	HYDRAULIC CYLINDER ASSY 4000-6000LB CAPACITY, INCL. BUSHINGS	
67	ATU-427	COMPOSITE BUSHING, 1" ID X 1.25" OD X 2" LONG	4
68	A-140174	PIN: CYLINDER UPPER (DIAM: 1", 8.125" LONG) GEN2	2
	A-140864	PIN: CYLINDER UPPER (DIAM: 1", 8.375" LONG) GEN3	
69	ATU-103	PIN: CYLINDER LOWER (DIAM: 1", 4.625" LONG)	2
70	A-130030	T-FITTING BLOCK	2
71	A-130212	HYDRAULIC HOSE ASSY (T-BLOCK TO POWER PACK UNIT, "DOWN", 14")	1
72	A-130213	HYDRAULIC HOSE ASSY (T-BLOCK TO POWER PACK UNIT, "UP", 22")	1
73	A-130210-W	HYDRAULIC HOSE ASSY (T-BLOCK(S), RH PORTS TO CYLINDER, CURBSIDE, 40") (WEO)	2
	A-130210	HYDRAULIC HOSE ASSY (T-BLOCK(S), RH PORTS TO CYLINDER, CURBSIDE, 40") (JIC)	
74	A-130131-W	HYDRAULIC HOSE ASSY (T-BLOCK TO CYLINDER, "UP", STREETSIDE, 30") (WEO)	1
	A-130131	HYDRAULIC HOSE ASSY (T-BLOCK TO CYLINDER, "UP", STREETSIDE, 30") (JIC)	
75	A-130211-W	HYDRAULIC HOSE ASSY (T-BLOCK TO CYLINDER, "DOWN", STREETSIDE, 19") (WEO)	1
	A-130211	HYDRAULIC HOSE ASSY (T-BLOCK TO CYLINDER, "DOWN", STREETSIDE, 19") (JIC)	
76	A-130335	WEO FITTINGS	8
77	A-130140	FITTING: 90DEG ADAPTER (MALE SAE#6 TO MALE JIC#6) (NON-WEO VERSIONS)	2
79	A-130198	FITTING: STRAIGHT ADAPTER (MALE SAE#6 TO MALE JIC#6) (NON-WEO VERSIONS)	2
80	A-130104	RESTRICTOR VALVE (1.0 GPM, 3000LB CAPACITY)	2
	A-130101	RESTRICTOR VALVE (2.25 GPM, 4000-6000LB CAPACITY)	

Item	Part Number	Description	Qty.
250	25	3/8-16 X 1.5" HEX BOLT	4
257	2054	3/8" LOCKWASHER	4
260	2114	5/16-18 FLANGE NUT, WHIZ-LOCK	1
261	2145	5/16-18 X .75" FLANGE BOLT	1
271	A-132026	COTTER PIN: 1/4" DIAM X 1.5" LONG, STAINLESS STEEL	4
279	A-132115	HYDRAULIC HOSE CLAMP, 5/8" STEEL/VINYL COATED	2
300	ATU-358	1/4-20 X 2" GRADE 8 BOLT	4
301	ATU-359	1/4-20 LOCKNUT	4

## 8. Hydraulic Cylinders (current style)

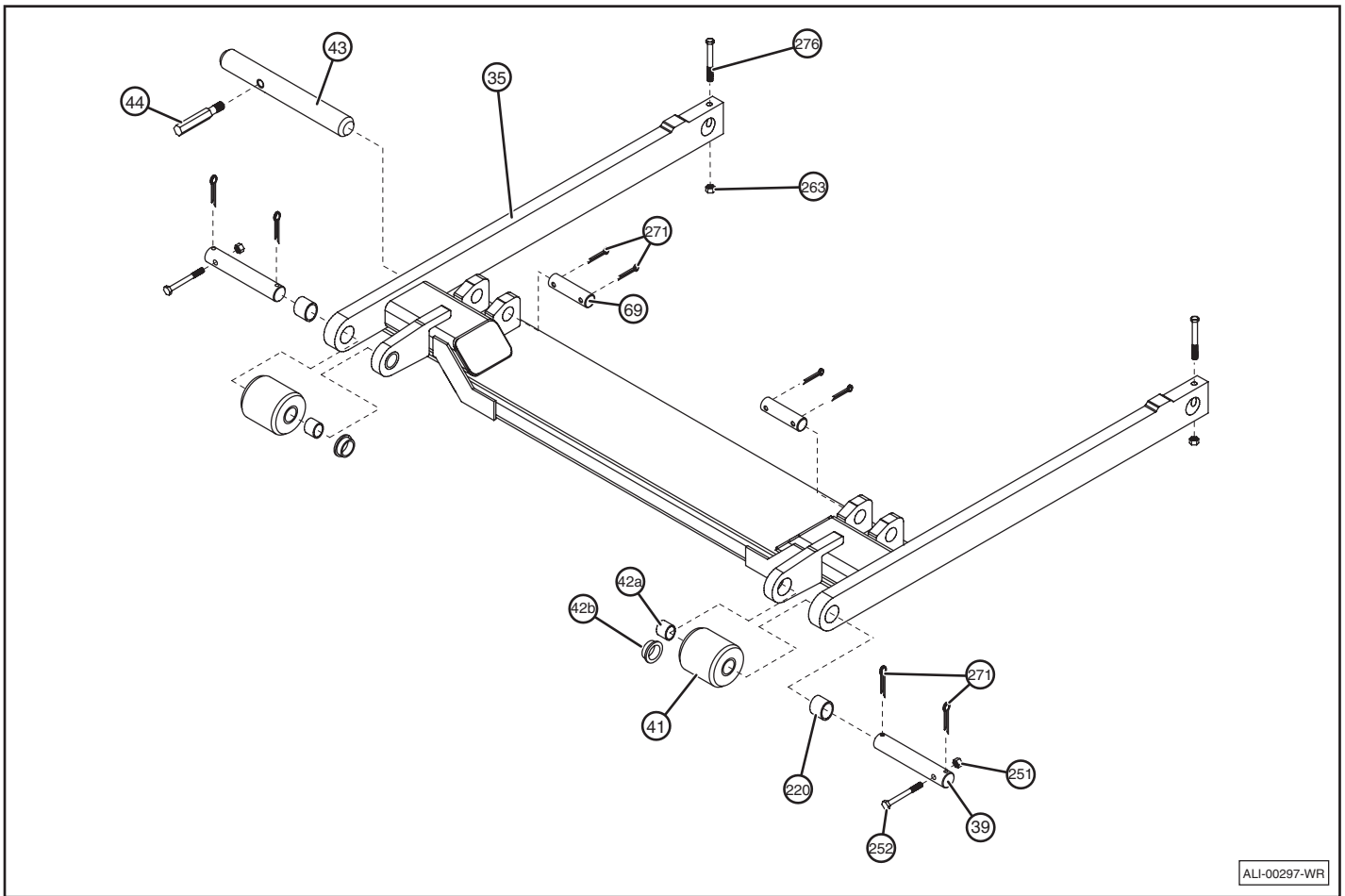


ALI-00306-WR

Item	Part Number	Description	Qty.
66	A-130113	HYDRAULIC CYLINDER ASSY 3000LB CAPACITY, INCL. BUSHINGS	2
	A-130114	HYDRAULIC CYLINDER ASSY 4000-6000LB CAPACITY, INCL. BUSHINGS	
67	ATU-427	COMPOSITE BUSHING, 1" ID X 1.25" OD X 2" LONG	4
67.2a	A-140835	HOSE TRAY	1
	A-140835-G	HOSE TRAY	
67.2b	A-140886	HOSE TRAY FOR HITCH ADAPTER FRAME (OPTIONAL)	
67.3	A-140833	3" CYLINDER CLAMP	4
67.4	A-140834	4" CYLINDER CLAMP	4
67.5	A-140861	HOSE TRAY SUPPORT	2
67.6	A-132333	RUBBER TAPE W/ADHESIVE 4"	4
67.9	A-130205	TEE FITTING: 06MJ-06MJ-06MJ	2
68	A-140174	PIN: CYLINDER UPPER (DIAM: 1", 8.125" LONG) GEN1&2	2
	A-140864	PIN: CYLINDER UPPER (DIAM: 1", 8.375" LONG) (AFTER JUNE 2017) GEN3	
69	ATU-103	PIN: CYLINDER LOWER (DIAM: 1", 4.625" LONG)	2
71.2	A-140380	HYDRAULIC HOSE ASSY (POWER PACK TO TRAY, "DOWN", 24")	1
72.2	A-130381	HYDRAULIC HOSE ASSY (POWER PACK TO TRAY, "UP", 35")	1
73.1	A-130382	HYDRAULIC HOSE ASSY (TRAY TO LOWER CYLINDER PORT, 15") (NOT USED ON HITCH MODELS)	2

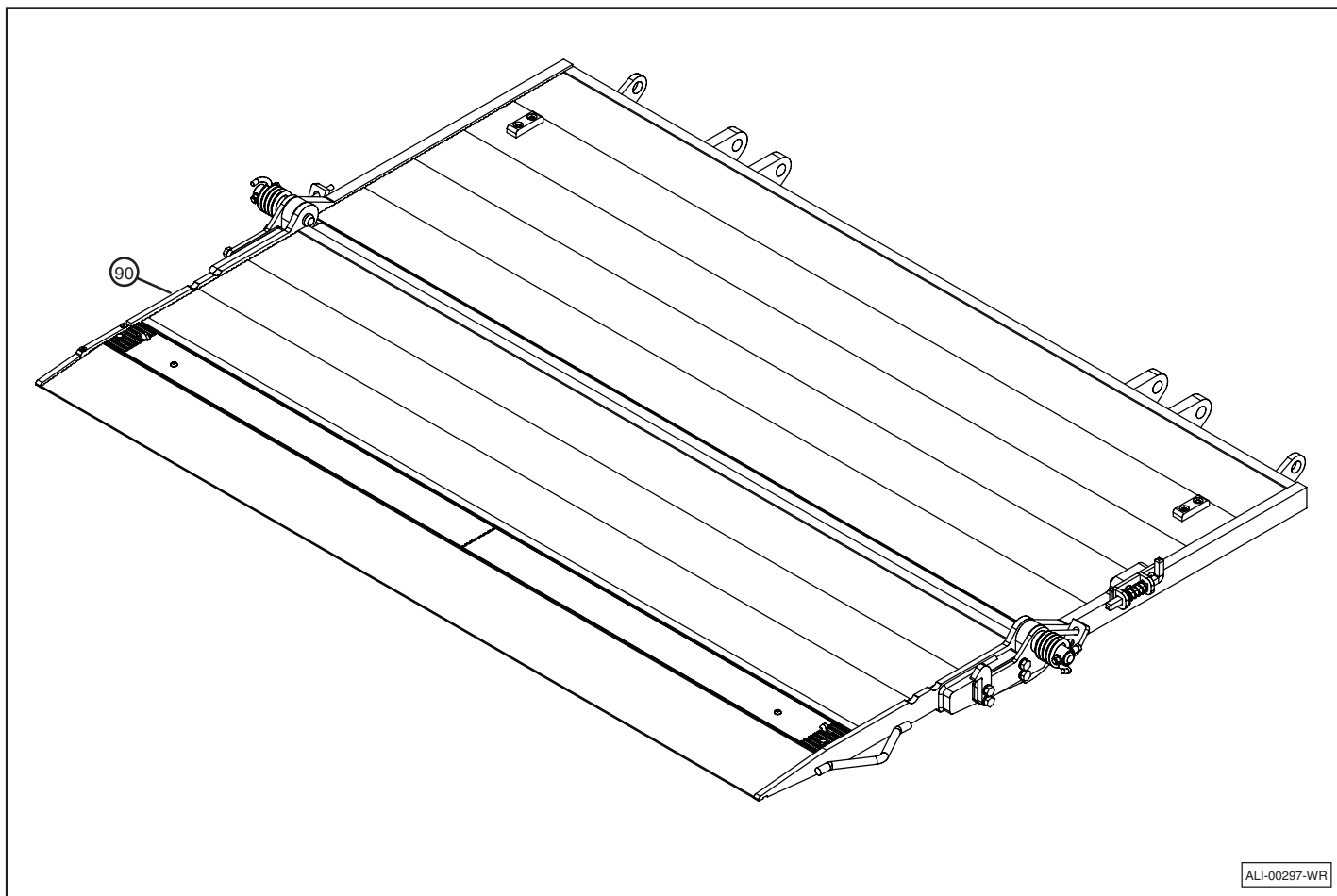
Item	Part Number	Description	Qty.
73.2	A-130383	HYDRAULIC HOSE ASSY (TRAY TO UPPER CYLINDER PORT, 18") (2 ON STANDARD MODEL AND 3 ON HITCH MODEL)	2-3
73.3	A-130391	HYDRAULIC HOSE ASSY (TRAY TO LOWER CYLINDER PORT, 11.5") (HITCH MODELS ONLY)	1
79	A-130198	FITTING: STRAIGHT ADAPTER (MALE SAE#6 TO MALE JIC#6)	2
80	A-130101 A-130104	RESTRICTOR VALVE (2.25 GPM, 4000-6000LB CAPACITY) RESTRICTOR VALVE (1.0 GPM, 3000LB CAPACITY)	2
81	A-130339	HOSE GUARD	2
253	874	3/8-16 X 1" HEX BOLT	4
256	2051	1/4" FLAT WASHER	8
258	2058	3/8" FLAT WASHER	8
259	2064	3/8-16 LOCKNUT	4
260	2114	5/16-18 FLANGE NUT, WHIZ-LOCK	4
261	2145	5/16-18 X .75" FLANGE BOLT	4
271	A-132026	COTTER PIN: 1/4" DIAM X 1.5" LONG, STAINLESS STEEL	4
279	A-132115	HYDRAULIC HOSE CLAMP, 5/8" STEEL/VINYL COATED	4
300	ATU-358	1/4-20 X 2" GRADE 8 BOLT	4
301	ATU-359	1/4-20 LOCKNUT	8
313	A-132035	1/4-20 HEX BOLT	4

## 9. Lift Frame



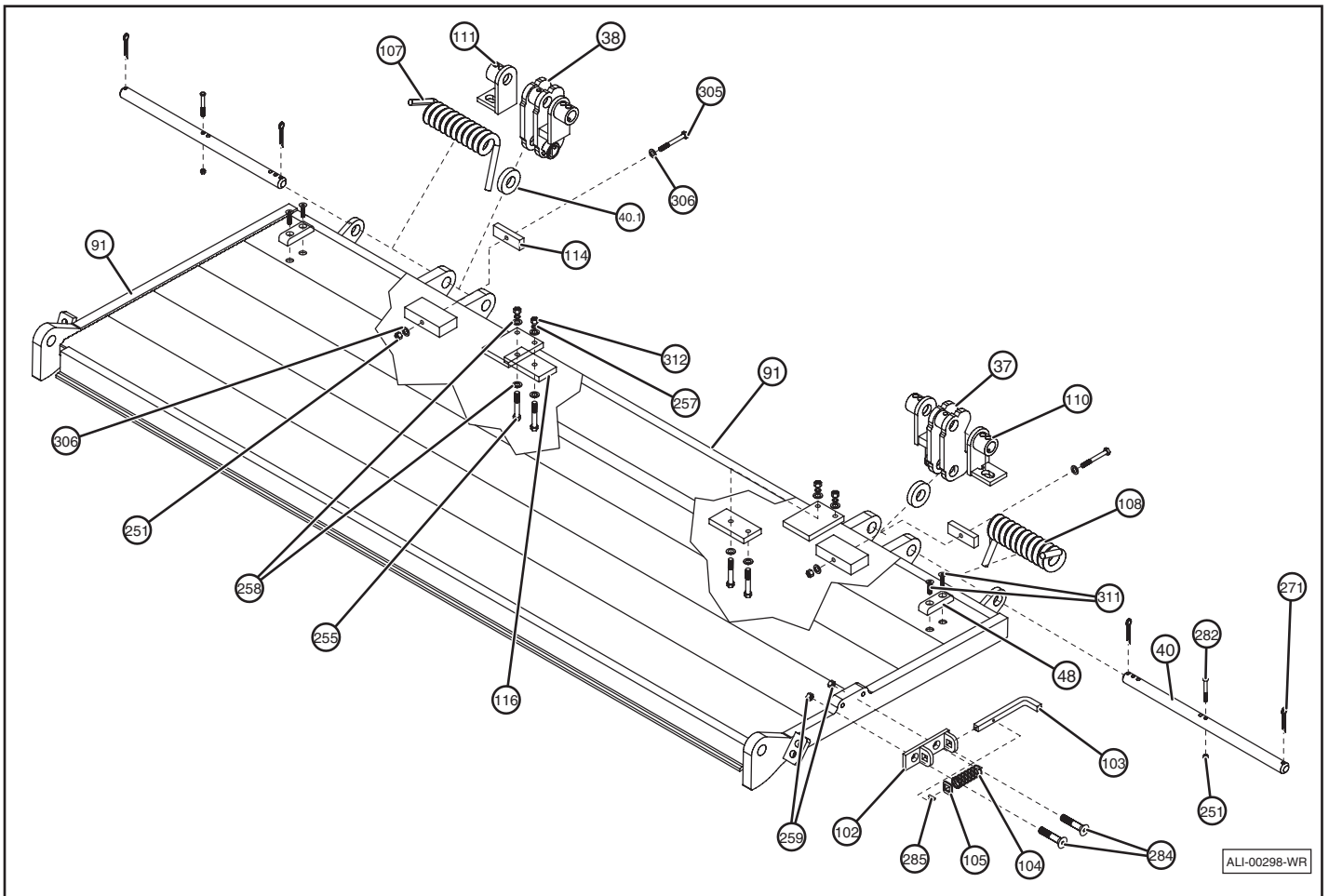
Item	Part Number	Description	Qty.
35	A-140824	LIFTFRAME WELDMENT - WR (WITH BUSHINGS)	1
	A-140824-G	LIFTFRAME WELDMENT - WR (WITH BUSHINGS)	
	A-140403	LIFTFRAME WELDMENT - WR (NO BUSHINGS)	
	A-140403-G	LIFTFRAME WELDMENT - WR (NO BUSHINGS)	
39	A-140418	PIN: CAM AND ROLLER TO LIFTFRAME - WR	2
41	A-140423	ROLLER - MED (STEEL INCL. BUSHINGS) - WR	2
42a	ATU-429	COMPOSITE BUSHING, 1" ID X 1.25" OD X .75" LONG	2
42b	A-176844	BRONZE BUSHING (REPLACED BY ATU-429) FEB 2017	
43	ATU-556	LATCH PIN	1
44	ATU-557	LATCH HANDLE	1
69	ATU-103	PIN: CYLINDER LOWER (DIAM: 1", 4.625" LONG)	2
220	ATU-426	COMPOSITE BUSHING, 1" ID X 1.25" OD X 1" LONG	2
251	862	5/16-18 LOCKNUT	2
252	869	5/16-18 X 2" HEX BOLT	2
263	2184	3/8-24 LOCKNUT	2
271	A-132026	COTTER PIN: 1/4" DIAM X 1.5" LONG, STAINLESS STEEL	8
276	A-132039	3/8-24 X 3" GRADE 8 BOLT	2

## 10. Platform Assemblies



Item	Part Number	Description	Qty.
90	A-140468	PLATFORM ASSY - 80X60 WEDGE LOW PROFILE, WALKRAMP, NO CARTSTOPS, O/B WHEEL (ALL ALUM: A-140408 & A-140467)	1
	A-140407	PLATFORM ASSY - 80X60 WEDGE LOW PROFILE, WALKRAMP, WITH CARTSTOPS, O/B WHEEL (ALL ALUM: A-140408 & A-140358)	

# 11. Main Platform



Item	Part Number	Description	Qty.
37	A-140409 A-140409-G	CAM WELDMENT-CURBSIDE - WR CAM WELDMENT-CURBSIDE - WR	1
38	A-140410 A-140410-G	CAM WELDMENT-STREETSIDE - WR CAM WELDMENT-STREETSIDE - WR	1
40	A-140417	PIN: ALUM PLATFORM TO LIFTFRAME - WR	2
40.1	A140882-P	SPACER	2
48	A-140090	BUMPER PAD	2
91	A-140408	MAIN PLATFORM WELDMENT, ALUM, LOW PROFILE, WALKRAMP, OUTBOARD SPRINGS	1
102	A-140292	LATCHPLATE WELDMENT	1
103	ATU-926	LATCHPIN	1
104	ATU-929	SPRING	1
105	ATU-975	SQUARE WASHER	1
107	ATU-100-R	SPRING, ALUM MAIN PLATFORM, CURBSIDE (STREETSIDE ON THIS PLATFORM)	1
108	ATU-518-L	SPRING, STEEL OR ALUM MAIN PLATFORM, STREETSIDE (CURBSIDE ON THIS PLATFORM)	1
110	A-140415	SPRING LOCK WELDMENT - RH, WR	1
111	A-140416	SPRING LOCK WELDMENT - LH, WR	1
114	A-140302	CAM PLATE	2
116	A-140316	SPRING PLATE	2
180	A-140465 A-140935	PIN KIT: MTU-GLR-WR-A GEN2 (ALL ALUM PLATFORM) PIN KIT: MTU-GLR-WR-A GEN3 (ALL ALUM PLATFORM)	1
251	862	5/16-18 LOCKNUT	10
255	2019	3/8-16 X 1.75" BOLT	2

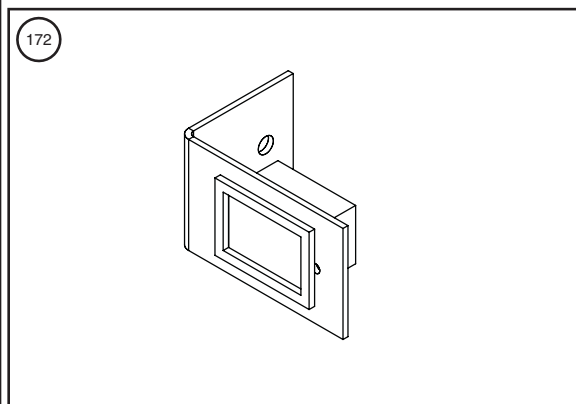
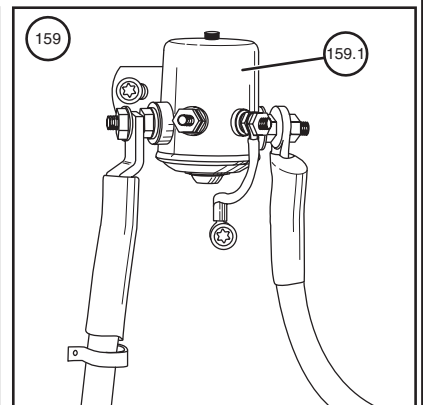
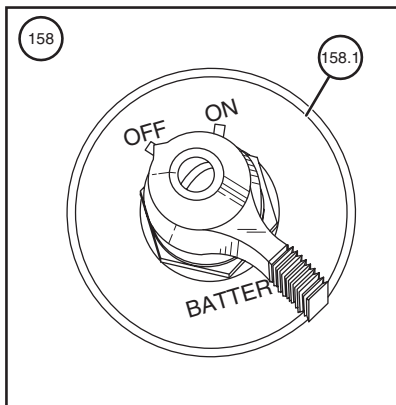
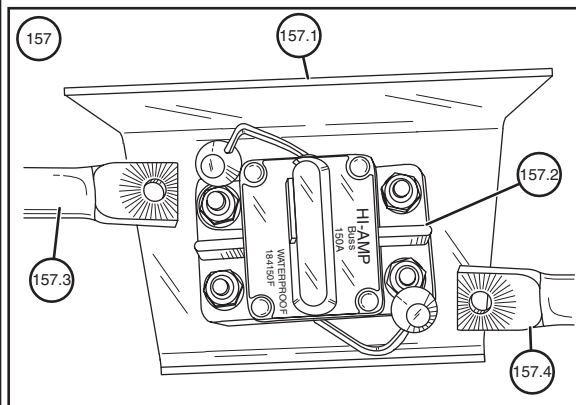
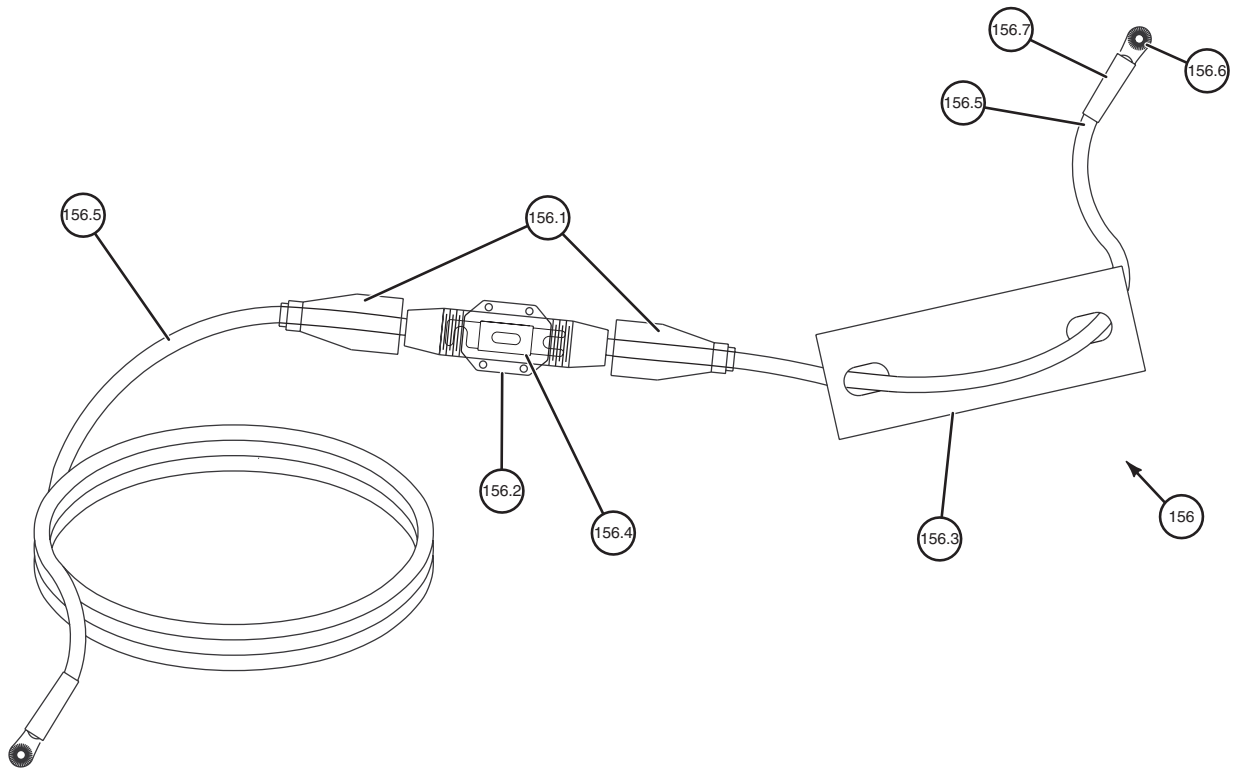


Item	Part Number	Description	Qty.
257	2054	3/8" LOCKWASHER	4
258	2058	3/8" FLAT WASHER	8
259	2064	3/8-16 LOCKNUT	4
271	A-132026	COTTER PIN: 1/4" DIAM X 1.5" LONG, STAINLESS STEEL	4
282	A-132148	5/16-18 X 2" SOCKET CAP SCREW	8
284	A-132276	3/8-16 X 1.75" FLATHEAD BOLT	2
285	A-132283	3/16 X 1" STAINLESS ROLL PIN	1
297	ATU-247	3/8-16 X 1.25" CAPSCREW	2
305	A-132266	5/16-18 X 3" HEX BOLT GRADE 8	2
306	2110	5/16" FLAT WASHER	2
311	A-150159	1/4-14 X 1 SELF-TAPPING SCREW (ALUMINUM PLATFORMS)	4
312	P-162	3/6-16 HEX NUT	4



Item	Part Number	Description	Qty.
145	A-140257	CLAMP BAR	1
251	862	5/16-18 LOCKNUT	2
254	1691	1/2" LOCKWASHER	8
259	2064	3/8-16 LOCKNUT	2
265	6608	5/16-18 X 1" HEX BOLT	4
266	6611	5/16 SPLIT LOCKWASHER	2
277	A-132099	5/16-18 THREADED INSERT	4
283	A-132259	1/4-20 X 1" FLATHEAD BOLT	2
298	ATU-259	1/2-13 X 2" GRADE 8 BOLT	8
307	A-132150	SPACER	2
308	A-132146	3/8-24 X 2.5" BOLT	2
309	A-132251	M10 FLAT WASHER	4

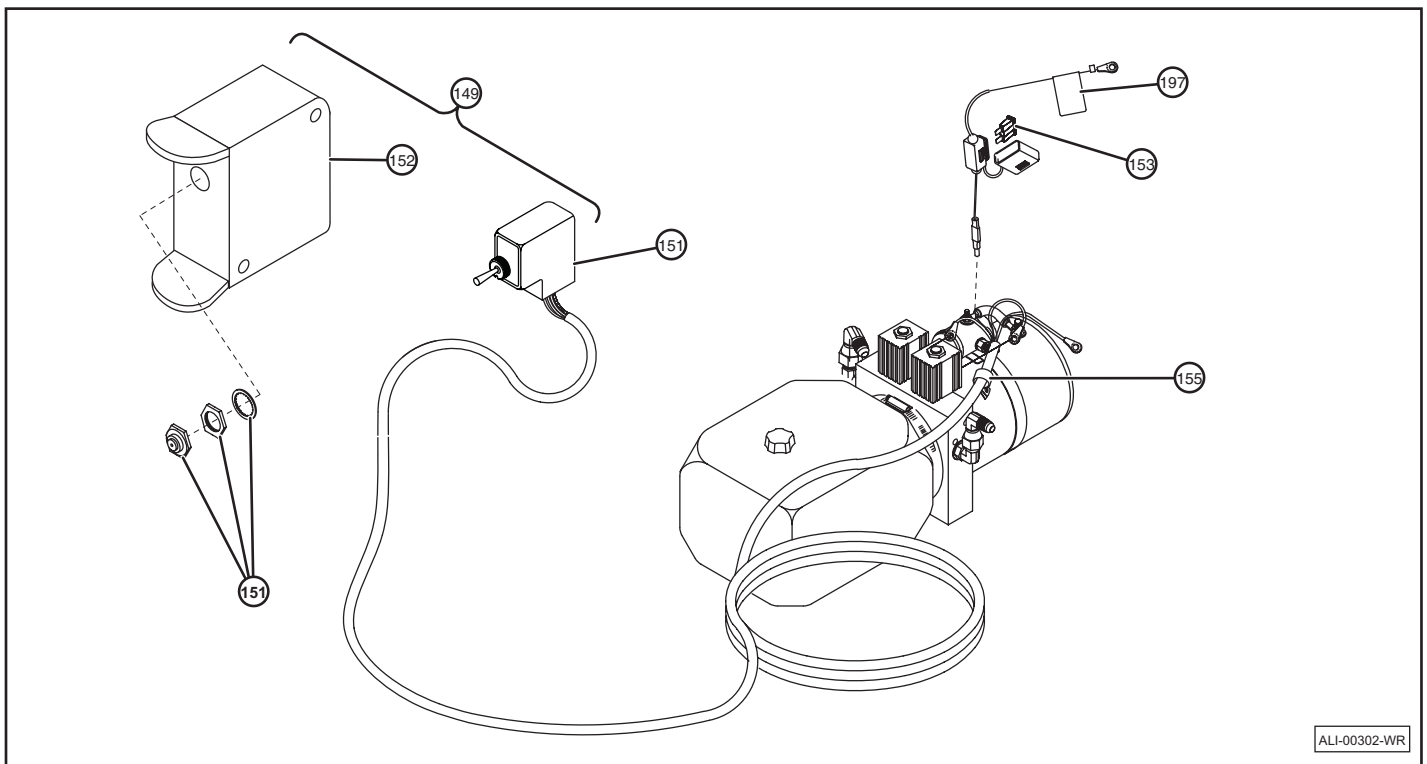
# 13. Fuse Assembly and Miscellaneous Accessories



ALI-00301-WR

Item	Part Number	Description	Qty.
156	A-133105	POWER CABLE WITH 200A FUSE ASSY	1
156.1	A-133048	BOOT, WEATHER SEAL, RUBBER	2
156.2	A-133062	FUSE HOLDER, IN-LINE	1
156.3	A-131036	WIRE DECAL: FUSE REPLACEMENT INSTRUCTIONS	1
156.4	A-133063	FUSE, 200A	1
156.5	A-150608	#2 RED POWER CABLE (30" AND 30' PIECES)	1
156.6	A-133003	3/8" ANTI-ROTATIONAL LUG	2
156.7	A-150990	HEAT SHRINK TUBING	2
157	A-133216	150A CIRCUIT BREAKER KIT	1
157.1	A-150500	CIRCUIT BREAKER BRACKET	1
157.2	A-150495	CIRCUIT BREAKER: 150A	1
157.3	A-133310	#2 GROUND CABLE (30")	1
157.4	A-133312	#2 GROUND CABLE (30')	1
158	A-133038	CUT-OFF SWITCH KIT-MANUALLY OPERATING	1
158.1	A-150031	SWITCH, CUT-OFF - MANUALLY OPERATING	1
159	A-133036	SWITCH, CUT-OFF - SOLENOID KIT	1
159.1	A-150263	CUT-OFF SOLENOID	1
172	A-133354	CYCLE COUNTER KIT	1

## 14. Control Switch Assembly

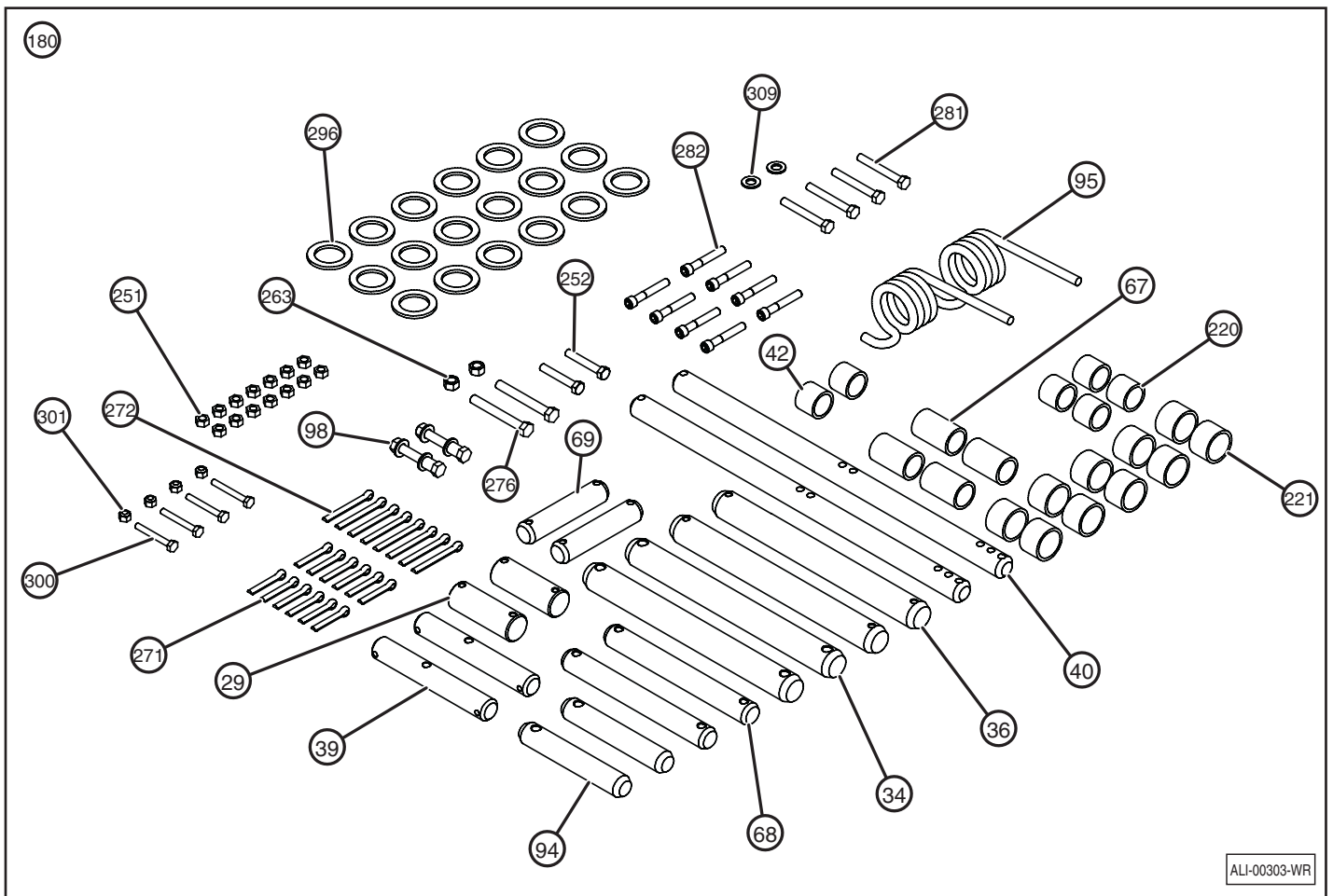


Item	Part Number	Description	Qty.
149	ATU-1219	SWITCH ASSY: POWER DOWN SWITCH ASSY W/CABLE, PLASTIC BOX	1
150	ATU-1221	SWITCH: NEW STYLE PLASTIC BOX AND SWITCH, NO CABLE (NOT SHOWN)	1
151	A-133144	SWITCH ONLY: RAISE/LOWER TOGGLE (POTTED ASSY)	1
152	ATU-1215	PLASTIC SWITCH BOX	1
153	A-150438	FUSE, 10A	1
155	A-150472	CABLE CLAMP, 1/2" (STEEL/VINYL COATED)	1
197	A-131001	DECAL: 10A FUSE & HOLDER	1

# NOTES



# 15. Pin and Bushing Kits



Item	Part Number	Description	Qty.
180	A-140465	PIN KIT: MTU-GLR-WR-A GEN2 (ALL ALUM PLATFORM)	1
	A-140935	PIN KIT: MTU-GLR-WR-A GEN3 (ALL ALUM PLATFORM)	
29	A-140046	PIN: RADIUS ARM TO ADAPTER FRAME (DIAM.: 1.25", 3.5" LONG)	2
34	A-140175	PIN: ROCKER TO ADAPTER FRAME (DIAM: 1.25", 11.875" LONG)	2
36	A-140176	PIN: ROCKER TO LIFTFRAME (DIAM: 1.25", 11.875" LONG)	2
39	A-140418	PIN: CAM AND ROLLER TO LIFTFRAME - WR	2
40	A-140417	PIN: ALUM PLATFORM TO LIFTFRAME - WR	2
42	A-176844	BRONZE BUSHING	2
67	ATU-427	COMPOSITE BUSHING, 1" ID X 1.25" OD X 2" LONG	4
68	A-140174	PIN: CYLINDER UPPER (DIAM: 1", 8.125" LONG) (GEN1 & 2 ROCKERS)	2
	A-140864	PIN: CYLINDER UPPER (DIAM: 1", 8.375" LONG) (GEN3 ROCKERS)	
69	ATU-103	PIN: CYLINDER LOWER (DIAM: 1", 4.625" LONG)	2
94	ATU-647	PIN: FLIP TO MAIN PLATFORM (DIAM: 1", 5.935" LONG)	2
95	ATU-326-M	SPRING, PLATFORM ASSIST - FLIP TO MAIN	2
98	ATU-944	FASTENER KIT	2
220	ATU-426	COMPOSITE BUSHING, 1" ID X 1.25" OD X 1" LONG	4
221	ATU-428	COMPOSITE BUSHING, 1.25" ID X 1.5" OD X 1" LONG	10
251	862	5/16-18 LOCKNUT	14
252	869	5/16-18 X 2" HEX BOLT	2
263	2184	3/8-24 LOCKNUT	2
271	A-132026	COTTER PIN: 1/4" DIAM X 1.5" LONG, STAINLESS STEEL	12
272	A-132027	COTTER PIN: 1/4" DIAM X 2" LONG, STAINLESS STEEL	8

Item	Part Number	Description	Qty.
276	A-132039	3/8-24 X 3" GRADE 8 BOLT	2
281	A-132132	5/16-18 X 2.5" HEX BOLT	4
282	A-132148	5/16-18 X 2" SOCKET CAP SCREW	8
296	ATU-134	RING WASHER: 1.25" ID X 1.875" OD X .125" THICK	18
300	ATU-358	1/4-20 X 2" GRADE 8 BOLT	4
301	ATU-359	1/4-20 LOCKNUT	4
309	A-132251	M10 FLAT WASHER	2

## 16. Safety and Instructional Decals

### SAFETY INSTRUCTIONS



To prevent personal injury from not being aware of safety recommendations, make sure all decals are attached to the liftgate and/or truck and are legible at all times!

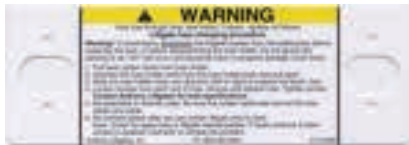
Item	Part Number	Description	Qty.
156.3	A-131036	WIRE DECAL: WARNING - FUSE REPLACEMENT INSTRUCTIONS	1
	A-131306-C	WIRE DECAL: WARNING - FUSE REPLACEMENT INSTRUCTIONS (ENGLISH/SPANISH COMBINED)	
191	ATU-147	DECAL: 3000LB MAXIMUM CAPACITY	1
	ATU-147-S	DECAL: 3000LB MAXIMUM CAPACITY (SPANISH)	
	A-131062-C	DECAL: 3000LB MAXIMUM CAPACITY (ENGLISH/SPANISH COMBINED)	
192	A-171433	DECAL: 4000LB	1
	A-171433-S	DECAL: 4000LB (SPANISH)	
	A-171433-C	DECAL: 4000LB (ENGLISH/SPANISH COMBINED)	
197	A-131001	DECAL: 10A FUSE & HOLDER	1
	A-131001-C	DECAL: 10A FUSE & HOLDER (ENGLISH/SPANISH COMBINED)	
199	A-131017	DECAL: NOTE - DISENGAGE LATCH	1
	A-131017-S	DECAL: NOTE - DISENGAGE LATCH (SPANISH)	
	A-131017-C	DECAL: NOTE - DISENGAGE LATCH (ENGLISH/SPANISH COMBINED)	
201	A-131028	DECAL: WELD WARNING	1
	A-131028-S	DECAL: WELD WARNING	
	A-131028-C	DECAL: WELD WARNING (ENGLISH/SPANISH COMBINED)	
202	A-131034	DECAL: ANTHONY LABEL	1
203	A-131070	DECAL: LIFTGATE SECURITY	1
	A-131070-S	DECAL: LIFTGATE SECURITY (SPANISH)	
	A-131070-C	DECAL: LIFTGATE SECURITY (ENGLISH/SPANISH COMBINED)	
204	A-131071	DECAL: OPERATING INSTRUCTIONS FOR CONTROL MODULE	1
	A-131071-S	DECAL: OPERATING INSTRUCTIONS FOR CONTROL MODULE (SPANISH)	
	A-131071-C	DECAL: OPERATING INSTRUCTIONS FOR CONTROL MODULE (ENGLISH/SPANISH COMBINED)	
205	A-131072	LVC "QUICK START" SHEET	1
206	A-131075	DECAL: MTU HYDRAULIC OIL LEVEL	1
207	A-131106	DECAL: WARNING - REMOVE BOLTS AFTER INSTALLATION	2
208	A-131128	DECAL: WEO CONNECT INST. (IF EQUIPPED)	1
209	A-131129	DECAL: WEO DISCONNECT INST. (IF EQUIPPED)	1
211	A-150601	DECAL: MADE IN THE USA	1
212	ATU-141	DECAL: AFTER USING LIFTGATE	1
	ATU-141-S	DECAL: AFTER USING LIFTGATE (SPANISH)	
	ATU-141-C	DECAL: AFTER USING LIFTGATE (ENGLISH/SPANISH COMBINED)	
213	ATU-146	DECAL: STAND CLEAR	2
	ATU-146-S	DECAL: STAND CLEAR (SPANISH)	
	ATU-146-C	DECAL: STAND CLEAR (ENGLISH/SPANISH COMBINED)	
214	A-131045	DECAL: OPERATING INSTRUCTIONS	1
	A-131045-S	DECAL: OPERATING INSTRUCTIONS (SPANISH)	
	A-131055-C	DECAL: OPERATING INSTRUCTIONS (ENGLISH/SPANISH COMBINED)	
215	ATU-424	DECAL: WARNING - RESET CIRCUIT BREAKER	1
	ATU-424-S	DECAL: WARNING - RESET CIRCUIT BREAKER (SPANISH)	
	ATU-424-C	DECAL: WARNING - RESET CIRCUIT BREAKER (ENGLISH/SPANISH COMBINED)	

Item	Part Number	Description	Qty.
216	Q-003013	DECAL: URGENT WARNING	1
	Q-003013-S	DECAL: URGENT WARNING (SPANISH)	
	Q-003013-C	DECAL: URGENT WARNING (ENGLISH/SPANISH COMBINED)	
217	A-131115	DECAL: WARNING - PERSONAL INJURY	1
218	A-150238	DECAL: NOTICE - PROTECTED WITH ELECTRICAL OVERLOAD CIRCUIT BREAKER	
	A-150238-S	DECAL: NOTICE - PROTECTED WITH ELECTRICAL OVERLOAD CIRCUIT BREAKER (SPANISH)	
	A-150238-C	DECAL: NOTICE - PROTECTED WITH ELECTRICAL OVERLOAD CIRCUIT BREAKER (ENGLISH/SPANISH COMBINED)	
219	ATU-143	DECAL: SECURE LATCH WHILE IN TRANSIT	
	ATU-143-S	DECAL: SECURE LATCH WHILE IN TRANSIT (SPANISH)	
	ATU-143-C	DECAL: SECURE LATCH WHILE IN TRANSIT (ENGLISH/SPANISH COMBINED)	

## Decal Kits

Item	Part Number	Description	Qty.
181.2	A-140120	DECAL/INSTALL KIT (3000LB CAPACITY)	1
181.3	A-140120-S	DECAL/INSTALL KIT (3000LB CAPACITY) (SPANISH)	1
181.4	A-140121	DECAL/INSTALL KIT (4000LB CAPACITY)	1
181.5	A-140121-S	DECAL/INSTALL KIT (4000LB CAPACITY) (SPANISH)	1
181.91	L-401	MTU-GLR INSTALLATION AND OPERATION MANUAL	1
182.2	A-140705	DECAL KIT ONLY (3000LB CAPACITY)	1
182.3	A-140706	DECAL KIT ONLY (4000LB CAPACITY)	1

## 156.3 — A-131036



View fuse through clear fuse holder. If blown, replace as follows:

**Liftgate fuse changing procedure.**

**Warning!** To avoid injury, disconnect the liftgate power from the battery/ies before replacing the fuse, or before disassembling the fuse holder. Do not ignore this warning as an "off" can occur and personal injury or property damage could result.

1. Pull fuse rubber boots from fuse holder.
2. Loosen the fuse holder ends from the fuse holder body and pull apart.
3. Slide the fuse holder body one direction (left or right) to expose the blown fuse.
4. Loosen screws from each end of fuse, remove and replace fuse. Tighten screws.
5. Reassemble in reverse order. Be sure the rubber boots seal around the fuse holder and cable.
6. Do not start power after you are certain liftgate will be clear.

**Note:** Check for spare fuses in liftgate manual packet. If fuses continue to blow, contact a qualified mechanic to remedy the problem.

Observe el fusible a través del portafusible transparente. Si está quemado, cámbielo de la manera siguiente:

**Procedimiento para cambiar el fusible de la compuerta elevadora.**

**Advertencia!** Para evitar lesiones, desconecte la alimentación de los (baterías) de la compuerta elevadora antes de cambiar el fusible, o antes de desarmar el portafusible. No pase por alto esta advertencia ya que puede formarse un arco eléctrico y causar lesiones personales o daños al equipo.

1. Tire de las fundas de caucho del portafusible del cuerpo del mismo y separelas.
2. Desatorne los extremos del portafusible del cuerpo del mismo y separelos.
3. Deslice el cuerpo del portafusible en un sentido (a la izquierda o derecha) para dejar al descubierto el fusible quemado.
4. Afloje el tornillo de cada extremo del fusible, retire y reemplácelo el fusible. Apriete los tornillos.
5. Reunite a ensamblar en orden inverso. Verifique que las fundas de caucho sellan bien alrededor del portafusible y cable.
6. Conecte la alimentación después de comprobar que el área de la compuerta elevadora está despejada.

**Note:** Buscar el fusible de repuesto en el paquete del manual de la compuerta elevadora. Si los fusibles siguen quemándose, comuníquese con un mecánico competente para que solucione el problema.

A-131036-C

## 191 — ATU-147 / A-131062



192 — A-171433

**4000 lb.**  
**MAXIMUM**  
**CAPACITY**

A-171433

**4000 lb.**  
**CAPACIDAD**  
**MÁXIMA**

A-171433-S

**MAXIMUM**  
**CAPACITY**  
**4000 lb.**  
**1800 kg.**  
**CAPACIDAD**  
**MÁXIMA**

A-171433-C

197 — A-131001

**10 AMP FUSE & HOLDER**  
 Protects against **dead shorts** in this "control circuit". If blown, pull "fuse holder cap", replace fuse, replace "cap". If fuse continues to blow, contact a qualified mechanic, "control circuit" may be damaged.

A-131001

**10 AMP FUSE & HOLDER**  
 Proteja against **dead shorts** in this "control circuit". If blown, pull "fuse holder cap", replace fuse, replace "cap". If fuse continues to blow, contact a qualified mechanic, "control circuit" may be damaged.

A-131001-C

199 — A-131017

**Note:**

**Disengage "latch" before attempting to use liftgate.**

**Engage "latch" after using liftgate.**

A-131017

**Nota:**

**Desenganche el "pasador" antes de intentar utilizar el panel posterior.**

**Enganche el "pasador" después de utilizar el panel posterior.**

A-131017-S

**Note:**

**DISENGAGE "LATCH" BEFORE ATTEMPTING TO USE LIFTGATE.**

**ENGAGE "LATCH" AFTER USING LIFTGATE.**

**Nota:**

**REMUEVA EL "PESTILLO" ANTES DE INTENTAR USAR EL ELEVADOR.**

**COLOQUE EL "PESTILLO" DESPUES DE USAR EL ELEVADOR.**

A-131017-C

201 — A-131028

**WELD WARNING!**  
 For all Anthony "Service-Free" Liftgates

When performing welding during installation, service, or repair on Anthony "SF" Service-Free liftgates, the actual part being welded must be grounded. Failure to follow this instruction can cause the welding ground to travel through the high pressure hydraulic hose as the source of ground, thus causing damage to the hose from the powerful electric current. The resulting damage to the hose may or may not be visible and can cause unexpected catastrophic failure of the lift. If you have any questions, please contact Anthony Liftgates, Inc., Pontiac, Illinois, USA (800-482-0003).

A-131028

**ADVERTENCIA PARA LA SOLDADURA**  
 Para todos los paneles posteriores Anthony "Service-Free" Liftgates.

Al efectuarse la soldadura durante la instalación, servicio o reparación de los paneles posteriores Anthony "SF" Service-Free, la pieza que se está soldando debe estar conectada a tierra. En caso contrario, la elevada corriente de la soldadura podría circular a tierra a través de la manguera hidráulica de alta presión y causar daños. Los daños producidos en la manguera pueden ser visibles o no visibles, y pueden causar el fallo catastrófico e imprevisto del elevador. Si tiene alguna duda, póngase en contacto con Anthony Liftgates, Inc., Pontiac, Illinois, USA (800-482-0003).

A-131028-S

**WELD WARNING!**  
 FOR ALL ANTHONY "SERVICE-FREE" LIFTGATES

Service-Free liftgates, the actual part being welded must be grounded. Failure to follow this instruction can cause the welding ground to travel through the high pressure hydraulic hose as the source of ground, thus causing damage to the hose from the powerful electric current. The resulting damage to the hose may or may not be visible and can cause unexpected, catastrophic failure of the lift. If you have any questions, please contact Anthony Liftgates, Inc., Pontiac, Illinois, (800-482-0003)

**¡ADVERTENCIA ANTES DE SOLDAR!**  
 PARA TODOS LOS ELEVADORES ANTHONY "SERVICE-FREE"

Cuando se tenga que soldar durante instalación, servicio o reparación de un elevador Anthony "SF" Service-Free, la pieza que se está soldando debe estar a tierra. El no seguir esta instrucción causará que la tierra de la máquina soldadora viaje a través de la manguera hidráulica de alta presión hasta la fuente de tierra. La intensa corriente eléctrica dañará la manguera. El daño resultante puede ser visible o invisible, y puede causar una inesperada falla catastrófica del elevador. Si usted tiene alguna pregunta al respecto, por favor contacte Anthony Liftgates, Inc., Pontiac, Illinois, USA. (800-482-0003)

A-131028-C

202 — A-131034



## 203 — A-131070

### Liftgate Security code instructions necessary to operate Liftgate Control Module.

(To be placed in Cab of Truck)

Press A,B,A,B to enable liftgate control.

If an incorrect code is entered, press A and B simultaneously to clear module. Then press A,B, A,B again to enable liftgate control.

To disable liftgate control press A and B simultaneously; or Control will shut off automatically after a preset period of non-activity.

For technical assistance please call 1 (800) 482-0003

131070

### Instrucciones para introducir el código de seguridad para usar el módulo de control de la puerta levadiza.

(Coloque estas instrucciones en la cabina del camión)

Presione A,B,A,B para habilitar el control de la puerta levadiza.

Si introduce un código incorrecto, pulse A y B en forma simultánea para borrar el contenido del módulo. Luego, presione A,B,A,B nuevamente para habilitar el control de la puerta levadiza.

Para deshabilitar el control de la puerta levadiza, presione A y B de manera simultánea. De lo contrario, el control se desactivará automáticamente después de un periodo preestablecido de inactividad.

Si necesita asistencia técnica, llame al 1 (800) 482-0003

131070-S

### Liftgate Security code instructions necessary to operate Liftgate Control Module.

(To be placed in Cab of Truck)

Press A,B,A,B to enable liftgate control.

If an incorrect code is entered, press A and B simultaneously to clear module. Then press A,B, A,B again to enable liftgate control.

To disable liftgate control press A and B simultaneously; or Control will shut off automatically after a preset period of non-activity.

For technical assistance please call 1 (800) 482-0003

### Instrucciones para introducir el código de seguridad para usar el módulo de control de la puerta levadiza.

(Coloque estas instrucciones en la cabina del camión)

Presione A,B,A,B para habilitar el control de la puerta levadiza.

Si introduce un código incorrecto, pulse A y B en forma simultánea para borrar el contenido del módulo. Luego, presione A,B,A,B nuevamente para habilitar el control de la puerta levadiza.

Para deshabilitar el control de la puerta levadiza, presione A y B de manera simultánea. De lo contrario, el control se desactivará automáticamente después de un periodo preestablecido de inactividad.

Si necesita asistencia técnica, llame al 1 (800) 482-0003

A-131070-C

## 204 — A-131071

### Operation Instructions for Liftgate Control Module.

(To be placed near Liftgate up/down Control Module)

1. Enable the Liftgate Control Module by entering proper security code Green "READY" LED should light indicating that module is enabled.

2. Operate the Liftgate by pressing the "UP" or "DOWN" keys as necessary.

3. Module will turn off after a predetermined period on Non-activity. Enter security code to enable again.

4. If voltage on battering is running low, the module may go into a "Low Battery" condition.

A. If so the "LOW BAT." LED will begin flashing.

B. Liftgate can be operating for only two more complete cycles.

C. Alarm will sound while raising or lowering.

C. After the two lifts, the liftgate can be raised only, not lowered until low voltage is correct.

5. If Low Battery condition exists start vehicle to begin charging batteries. When liftgate control module senses 14 volts, the "Low Battery" condition will cease and normal control may resume

For technical assistance please call 1 (800) 482-0003

A-131071

### Instrucciones de trabajo para el módulo de control de la puerta levadiza.

(Coloque estas instrucciones cerca del módulo de control de elevación/descenso de la puerta levadiza)

1. Habilite el módulo de control de la puerta levadiza introduciendo el código de seguridad correspondiente. Deberá encenderse el LED verde que dice "READY" (LISTO) para indicar que el módulo está habilitado.

2. Accione la puerta levadiza presionando las teclas "UP" para levantarla o "DOWN" para bajarla, según sea necesario.

3. El módulo se apagará después de un periodo predeterminado de inactividad. Introduzca el código de seguridad para volver a habilitarlo.

4. Si el voltaje de la batería está disminuyendo, es posible que el módulo entre en estado de "Batería baja"

A. Si eso sucede, el LED "LOW BAT." (batería baja) comenzará a parpadear.

B. La puerta levadiza funcionará sólo por dos ciclos completos más.

C. Sonará una alarma mientras la puerta sube o baja.

D. Después de haber subido dos veces, sólo se podrá levantar la puerta levadiza una vez más, pero no bajarla hasta tanto el voltaje sea el correcto.

5. Si el sistema indica "batería baja", arranque el vehículo para comenzar a cargar las baterías. Cuando el módulo de control de la puerta levadiza detecte que hay 14 voltios, dejará de indicar "batería baja" y se recuperará el control normal.

Si necesita asistencia técnica, llame al 1 (800) 482-0003

A-131071-S

### Operation Instructions for Liftgate Control Module.

(To be placed near Liftgate up/down Control Module)

1. Enable the Liftgate Control Module by entering proper security code Green "READY" LED should light indicating that module is enabled.

2. Operate the Liftgate by pressing the "UP" or "DOWN" keys as necessary.

3. Module will turn off after a predetermined period on Non-activity. Enter security code to enable again.

4. If voltage on battering is running low, the module may go into a "Low Battery" condition.

A. If so the "LOW BAT." LED will begin flashing.

B. Liftgate can be operating for only two more complete cycles.

C. Alarm will sound while raising or lowering.

C. After the two lifts, the liftgate can be raised only, not lowered until low voltage is correct.

5. If Low Battery condition exists start vehicle to begin charging batteries. When liftgate control module senses 14 volts, the "Low Battery" condition will cease and normal control may resume

For technical assistance please call 1 (800) 482-0003

A-131071-C

## 205 — A-131072



## 206 — A-131075

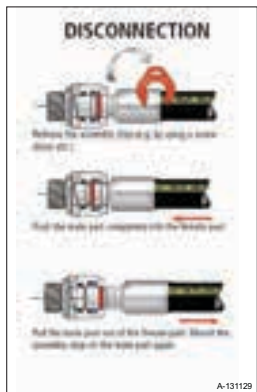
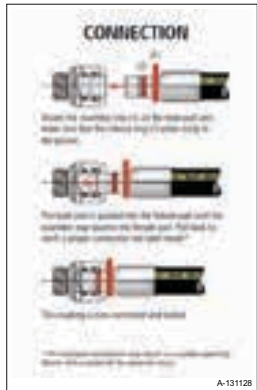
### Procedure for Checking Hydraulic Oil Level on all MTU Tuckunder Liftgates

Hydraulic oil level should be 2" from the top of the reservoir with the platform unfolded and in the fully raised position.

A-131075

**WARNING**  
**MUST REMOVE**  
**AND DISCARD**  
**INSTALLATION BOLTS ON**  
**"ROCKER ASSEMBLIES"**  
**BEFORE OPERATING**  
**LIFTGATE**

A-131106



**AFTER USING LIFTGATE, SECURE LATCH AND, IF EQUIPPED WITH POWER CUT OFF SWITCH, TURN OFF POWER TO PREVENT UNAUTHORIZED USE OF LIFTGATE.**

ATU-141

**DESPUÉS DE UTILIZAR EL PANEL POSTERIOR, FIGE EL PASADOR, Y SI ESTÁ PROVISTO DE UN INTERRUPTOR DE CIERRE DE ALIMENTACIÓN, APAGUE LA POTENCIA PARA EVITAR EL USO NO AUTORIZADO DEL PANEL POSTERIOR**

ATU-141-S

**AFTER USING LIFTGATE, SECURE LATCH AND, IF EQUIPPED WITH POWER CUT OFF SWITCH, TURN OFF POWER TO PREVENT UNAUTHORIZED USE OF LIFTGATE.**

**DESPUÉS DE UTILIZAR EL PANEL POSTERIOR, FIGE EL PASADOR, Y SI ESTÁ PROVISTO DE UN INTERRUPTOR DE CIERRE DE ALIMENTACIÓN, APAGUE LA POTENCIA PARA EVITAR EL USO NO AUTORIZADO DEL PANEL POSTERIOR**

ATU-141-C

**STAND CLEAR**

**DO NOT RIDE ON LIFT**

ATU-146

**MANTÉNGASE ALEJADO**

**NO VIAJE EN EL ELEVADOR**

ATU-146-S

**STAND CLEAR**

**DO NOT RIDE ON LIFT**

**MANTENGASE ALEJADO**

**NO VIAJE EN EL ELEVADOR**

ATU-146-C

**ANTHONY "RTU-GLR" SERIES LIFTGATE OPERATING INSTRUCTIONS**

1. UNFOLD LIFTGATE BY TWISTING, THEN PULLING "LATCH" IN DIRECTION OF ARROW.
2. LOWER PLATFORM BY PUSHER CONTROL SWITCH TO "DOWN" POSITION. PLATFORM WILL BEGIN TO LOWER AS IT LOWERS.
3. UNFOLD PLATFORM BY PULLING PLATFORM HANDLE OUTWARD AND TOWARD GROUND.
4. UNFOLD "FLIP" SECTION.
5. TO RAISE THE PLATFORM, PRESS "UP" BUTTON. PLATFORM WILL "UP" THEN BEGIN TO RAISE.
  - OR-
  - TO LOWER THE PLATFORM, PRESS THE "DOWN" BUTTON. PLATFORM LOWERS UNTIL IT CONTACTS THE GROUND, THEN IT COMPLETES TOWARD GROUND.
6. NOTE: PLATFORM BEGS TRIP THE LIFTGATE LOWERING CYCLE. AS THE ROLLERS CONTACT THE GROUND WHEN LOWERING, THE PLATFORM BEGINS TILTING. CONTINUE UNTIL THE HAMP EDGE TOUCHES THE GROUND. LAMENGLAND THE PLATFORM.
7. TO PLACE LIFTGATE BACK TO STORED POSITION, LOWER PLATFORM TO GROUND AND REVERSE STEPS 1, 2, 3, & 4.

ANTHONY LIFTGATES, INC.  
100 WEST HOWARD ST. PONTIAC, IL 61764  
A-131045

**ANTHONY "RTU-GLR" SERIES LIFTGATE OPERATING INSTRUCTIONS**

**PUERTA LEVADIZA ANTHONY SERIE "RTU-GLR" INSTRUCCIONES DE TRABAJO**

1. UNFOLD LIFTGATE BY TWISTING, THEN PULLING "LATCH" IN DIRECTION OF ARROW.
2. LOWER PLATFORM BY PUSHER CONTROL SWITCH TO "DOWN" POSITION. PLATFORM WILL BEGIN TO LOWER AS IT LOWERS.
3. UNFOLD PLATFORM BY PULLING PLATFORM HANDLE OUTWARD AND TOWARD GROUND.
4. UNFOLD "FLIP" SECTION.
5. TO RAISE THE PLATFORM, PRESS THE "UP" BUTTON. PLATFORM WILL "UP" THEN BEGIN TO RAISE.
  - OR-
  - TO LOWER THE PLATFORM, PRESS THE "DOWN" BUTTON. PLATFORM LOWERS UNTIL IT CONTACTS THE GROUND, THEN IT COMPLETES TOWARD GROUND.
6. NOTE: PLATFORM BEGS TRIP THE LIFTGATE LOWERING CYCLE. AS THE ROLLERS CONTACT THE GROUND WHEN LOWERING, THE PLATFORM BEGINS TILTING. CONTINUE UNTIL THE HAMP EDGE TOUCHES THE GROUND. LAMENGLAND THE PLATFORM.
7. TO PLACE LIFTGATE BACK TO STORED POSITION, LOWER PLATFORM TO GROUND AND REVERSE STEPS 1, 2, 3, & 4.

ANTHONY LIFTGATES, INC.  
1037 WEST HOWARD ST. PONTIAC, IL 61764  
A-131045

**PUERTA LEVADIZA ANTHONY SERIE "RTU-GLR" INSTRUCCIONES DE TRABAJO**

1. DESPLIEGUE LA PUERTA LEVADIZA GIRANDO Y PULSANDO EL PASADOR EN LA DIRECCION INDICADA POR LA FLECHA.
2. BAJE LA PLATAFORMA PRESIONANDO EL BOTON DE CONTROL HACIA "DOWN" PARA BAJAR LA PLATAFORMA. LA PLATAFORMA COMENZARA A BAJARSE A MEDIDA QUE BAJA.
3. DESPLIEGUE LA PLATAFORMA TIRANDO DE LA MANECILLA DE LA PLATAFORMA HACIA AFUERA Y HACIA EL SUELO.
4. DESPLIEGUE LA SECCION "ABATIBLE".
5. PARA LEVANTAR LA PLATAFORMA, PRESIONE EL BOTON DE CONTROL "UP". PRIMERO LA PLATAFORMA SE INCLINARA HACIA ARRIBA Y LUEGO SE COMENZARA A ELEVARSE.
  - O- BAJE
  - PARA BAJAR LA PLATAFORMA, PRESIONE EL BOTON DE CONTROL "DOWN". PRIMERO LA PLATAFORMA SE INCLINARA HACIA ABAJO Y LUEGO SE COMENZARA A BAJAR.
6. NOTA: LA PLATAFORMA SE DESPLAZARA HACIA ATRÁS CUANDO SE ELEVACION Y COMENZARA A BAJAR. CUANDO LA PLATAFORMA COMENZARA A BAJAR, LA PLATAFORMA COMENZARA A INCLINARSE HACIA ATRÁS HASTA QUE EL PASADOR TOQUE EL SUELO. CONTINUE HACIA ATRÁS HASTA QUE EL PASADOR TOQUE EL SUELO.
7. PARA COLOCAR LA PUERTA LEVADIZA DE VUELTA EN SU POSICION DE ALMACENAMIENTO, BAJE LA PLATAFORMA HASTA EL SUELO Y REVERSE PASOS 1, 2, 3 Y 4 EN ORDEN INVERSO.

ANTHONY LIFTGATES, INC.  
100 WEST HOWARD ST. PONTIAC, IL 61764  
A-131045

**WARNING**

To avoid injury, be certain liftgate area is clear before resetting circuit breaker. Circuit breaker must cool before resetting. Reset by pressing lever (or button). If circuit breaker continues to trip, contact a qualified mechanic.

ATU-424

**ADVERTENCIA**

Para evitar lesiones, compruebe que el área donde opera la puerta levadiza se encuentre despejada antes de restablecer el disyuntor. Deje enfriar el disyuntor antes de restablecerlo. Para restablecerlo, presione la palanca (o botón). Si el disyuntor sigue disparándose, comuníquese con un mecánico calificado.

ATU-424-S

**WARNING**

To avoid injury, be certain liftgate area is clear before resetting circuit breaker. Circuit breaker must cool before resetting. Reset by pressing lever (or button). If circuit breaker continues to trip, contact a qualified mechanic.

**ADVERTENCIA**

Para evitar lesiones, compruebe que el área donde opera la puerta levadiza se encuentre despejada antes de restablecer el disyuntor. Deje enfriar el disyuntor antes de restablecerlo. Para restablecerlo, presione la palanca (o botón). Si el disyuntor sigue disparándose, comuníquese con un mecánico calificado.

ATU-424-C



216 — Q-003013

**WARNING**

**ELEVATING GATE INSTRUCTIONS**  
Before Operating Lift, Be Sure You Understand the Following.

- Improper operation of this lift can result in serious personal injury. Do not operate unless you have been properly instructed and have read and are familiar with the operating instructions. If you do not have a copy of the instructions, please obtain them from your employer, distributor, or lessor, as appropriate, before you attempt to operate the lift.
- Be certain the vehicle is properly and securely braked before using the lift.
- Always inspect this lift for maintenance or damage before using it. If there are signs of improper maintenance, damage to vital parts, or slippery platform surface, do not use the lift. Do not attempt your own repairs, unless you are specifically trained.
- Do not overload. See Mfg. Literature and/or Rating Label on the unit for the rated load. Remember that this limit applies to both raising and lowering operations.
- Each load should be placed in a stable position within the edges of the platform as near as possible to the center of the platform side to side, and as close to the truck sill as possible.
- Never stand in or move through or allow anyone else to stand in or move through the area in which the lift may operate or into which an upset load might fall.
- This is not a passenger lift. This liftgate is intended for loading and unloading of cargo only. Do not use this liftgate for anything but its intended use.

Anthony Liftgate, Inc.  
Q-003013

**ADVERTENCIA**

**INSTRUCCIONES PARA SUBIR EL PANEL**  
Antes de hacer funcionar el elevador, asegúrese de leer detenidamente lo siguiente:

- El mal uso de este elevador puede provocar lesiones personales graves. No lo haga funcionar a menos que haya recibido una capacitación adecuada y haya leído y está familiarizado con las instrucciones para el funcionamiento. Si no tiene una copia de las instrucciones, consiga una de su empleador, distribuidor o arrendador, según sea apropiado, antes de intentar hacer funcionar el elevador.
- Asegúrese de que los frenos del vehículo estén accionados de manera adecuada y segura antes de utilizar el elevador.
- Inspeccione el elevador antes de usarlo para asegurarse de que no existen daños o que no requiere mantenimiento. Si existen señales de mantenimiento inadecuado, dañino o piezas fundamentales o una superficie de la plataforma resbalosa, no utilice el elevador. No intente realizar sus propias reparaciones, a no ser que tenga una capacitación específica.
- No sobrecargue. Véase la literatura de producción y/o la etiqueta de régimen de trabajo en la unidad para conocer la carga máxima admisible. Recuerde que este límite se aplica tanto para las operaciones de subida como las de bajada.
- Cada carga se debe colocar en una posición estable, dentro de los bordes de la plataforma lo más cercana posible al centro de la plataforma, lado a lado, y lo más cercana posible al panel inferior del camión.
- Nunca permanezca de pie o recorra el área en la que el elevador puede funcionar o en la que una carga tirada al suelo puede caer, y no permita que ninguna otra persona lo haga.
- Este no es un ascensor de pasajeros. Este panel posterior está concebido únicamente para la carga y descarga de mercancías. No utilice este panel posterior para cualquier cosa que no sea el uso previsto.

Anthony Liftgate, Inc.  
Q-003013-S

**URGENT WARNING**

**ELEVATING GATE INSTRUCTIONS**  
Before Operating Lift, Be Sure You Understand the Following.

- Improper operation of this lift can result in serious personal injury. Do not operate unless you have been properly instructed and have read and are familiar with the operating instructions. If you do not have a copy of the instructions, please obtain one from your employer, distributor, or lessor, as appropriate, before you attempt to operate the lift.
- Be certain the vehicle is properly and securely braked before using the lift.
- Always inspect this lift for maintenance or damage before using it. If there are signs of improper maintenance, damage to vital parts, or slippery platform surface, do not use the lift. Do not attempt your own repairs unless you are specifically trained.
- Do not overload. See Mfg. Literature and/or Rating Label on the unit for the rated load. Remember that this limit applies to both raising and lowering operations.
- Each load should be placed in a stable position within the edges of the platform, as near as possible to the center of the platform, side to side, and as close as possible to the truck sill.
- Never stand in or move through, or allow anyone else to stand in or move through the area in which the lift may operate or into which an upset load might fall.
- This is not a passenger lift. This liftgate is intended for loading and unloading of cargo only. Do not use this liftgate for anything but its intended use.

**ADVERTENCIA URGENTE**

**INSTRUCCIONES PARA LA CUBIERTA ELEVADORA**  
Antes de Operar el Elevador, Asegúrese de Entender lo Siguiendo.

- El uso no apropiado de este elevador puede ocasionar serias lesiones personales. No opere el elevador a menos que usted haya sido instruido adecuadamente para hacerlo y haya leído y se haya familiarizado con las instrucciones de operación. Si usted no tiene una copia de las instrucciones, solicite una copia a su empleador, distribuidor o arrendador, antes de intentar operar el elevador.
- Asegúrese de que los frenos del vehículo estén seguros y apropiadamente fijados.
- Antes de usar este elevador, inspeccione el elevador. Si hay señales de mal mantenimiento, daños en partes vitales, o la superficie de la plataforma está resbalosa, no use el elevador. No intente hacer reparaciones a no ser que usted haya recibido entrenamiento específicamente para ello.
- No sobrecargue. Véase la literatura de fabricación y/o observe la capacidad de carga máxima en la etiqueta de capacidad colocada sobre la unidad. Recuerde que este límite aplica tanto a las operaciones de subida como a las de bajada.
- La carga debe ser colocada en una posición estable dentro de los bordes de la plataforma, lo más cerca posible al centro de la plataforma, lado a lado, y lo más cercana posible al panel inferior del camión.
- Nunca permanezca de pie o recorra el área en la que el elevador puede funcionar o en la que una carga tirada al suelo puede caer, y no permita que ninguna otra persona lo haga.
- Este no es un ascensor de pasajeros. Este elevador es únicamente para el transporte y depósito de carga. No use este elevador para cualquier otro propósito.

217 — A-131115

**ANTHONY LIFTGATES, INC. WARNING**

**PERSONAL INJURY HAZARD**

Operation may require user to stand on platform. To prevent injury or death of operators or bystanders:

- Read and follow operator/owner manual for safety, operation, inspection, and maintenance instructions.
- Do not place unstable or unsafe loads on platform.
- Do not allow loads to extend over edge of platform.
- Do not exceed capacity or use liftgate for anything other than intended purpose.
- Be aware of surroundings when operating liftgate.
- Do not allow body parts to contact moving components.
- Ensure footing is stable and stand away from edge before raising or lowering platform.
- Owner/operators must properly maintain liftgate.

A-131115

218 — A-150238

**NOTICE**

THIS LIFTGATE IS PROTECTED WITH AN ELECTRICAL OVERLOAD CIRCUIT BREAKER, LOCATED NEAR THE POWER SUPPLY.

A-150238

**AVISO**

ESTE PANEL POSTERIOR ESTÁ PROTEGIDO CON UN DISYUNTOR DE SOBRECARGA ELÉCTRICA, UBICADO, CERCA DE LA FUENTE DE ALIMENTACIÓN.

A-150238-S

**NOTICE**

THIS LIFTGATE IS PROTECTED WITH AN ELECTRICAL OVERLOAD CIRCUIT BREAKER, LOCATED NEAR THE POWER SUPPLY.

**AVISO**

ESTE PANEL POSTERIOR ESTÁ PROTEGIDO CON UN DISYUNTOR DE SOBRECARGA ELÉCTRICA, UBICADO, CERCA DE LA FUENTE DE ALIMENTACIÓN.

A-150238-C

219 — ATU-143

**SECURE LATCH WHILE IN TRANSIT**

← —→

ATU-143

**BLOQUEE EL SEGURO PARA TRASLADOS**

← —→

ATU-143-S

**SECURE LATCH WHILE IN TRANSIT**

← —→

**BLOQUEE EL SEGURO PARA TRASLADOS**

ATU-143-C

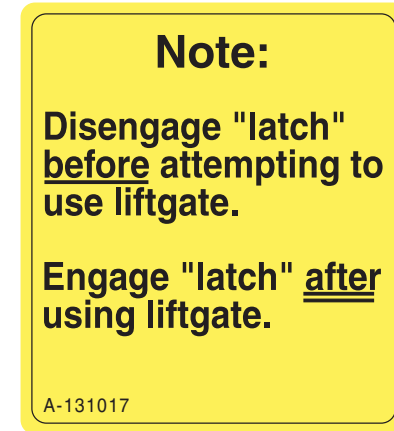
181.2 — A-140120 — ENGLISH DECAL/INSTALL KIT (3000LB CAPACITY)

Item	Part Number	Description	Qty.
156.4	A-133063	FUSE, 200A (not shown)	1
181.91	L-401	MTU-GLR INSTALLATION AND OPERATION MANUAL (not shown)	1
191	ATU-147	DECAL: 3000LB MAXIMUM CAPACITY	1
199	A-131017	DECAL: NOTE - DISENGAGE LATCH	1
201	A-131028	DECAL: WELD WARNING	1
212	ATU-141	DECAL: AFTER USING LIFTGATE	2
213	ATU-146	DECAL: STAND CLEAR	2
214	A-131045	DECAL: OPERATING INSTRUCTIONS	1
216	Q-003013	DECAL: URGENT WARNING	1
217	A-131115	DECAL: WARNING - PERSONAL INJURY	2
218	A-150238	DECAL: NOTICE - PROTECTED WITH ELECTRICAL OVERLOAD CIRCUIT BREAKER	1
—	ATU-071	LEVELING SHIM (not shown)	6

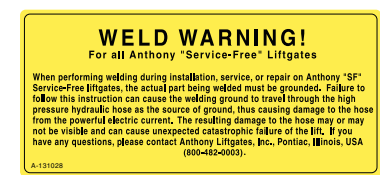
191



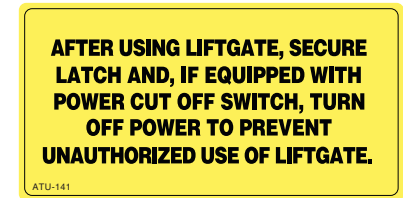
199



201



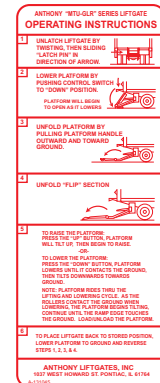
212



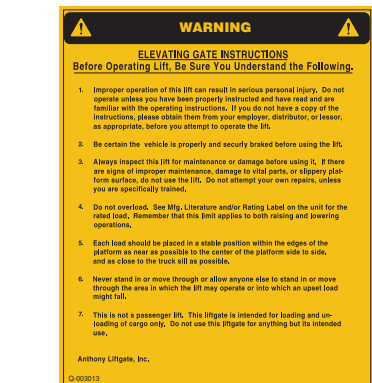
213



214



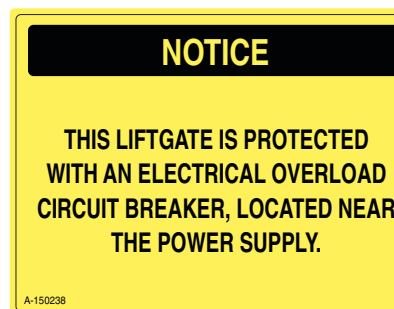
216



217



218



181.3 — A-140120-S — SPANISH DECAL/INSTALL KIT (3000LB CAPACITY)

Item	Part Number	Description	Qty.
156.4	A-133063	FUSE, 200A	1
181.91	L-401	MTU-GLR INSTALLATION AND OPERATION MANUAL (not shown)	1
191	A-131062-C	DECAL: 3000LB/1350KG MAXIMUM CAPACITY	1
199	A-131056	DECAL: NOTE - DISENGAGE LATCH	1
201	A-131057	DECAL: WELD WARNING	1
212	A-131053-C	DECAL: AFTER USING LIFTGATE	2
213	A-131052-C	DECAL: STAND CLEAR	2
214	A-131045-C	DECAL: OPERATING INSTRUCTIONS	1
216	A-131054	DECAL: URGENT WARNING	2
217	A-131115	DECAL: WARNING - PERSONAL INJURY	1
218	A-150238-S	DECAL: NOTICE - PROTECTED WITH ELECTRICAL OVERLOAD CIRCUIT BREAKER	1
—	ATU-071	LEVELING SHIM	6

191

**MAXIMUM CAPACITY**  
**3000 lb.**  
**1350 kg.**  
**CAPACIDAD MÁXIMA**

A-131062-C

199

**Note:**  
**DISENGAGE "LATCH" BEFORE ATTEMPTING TO USE LIFTGATE.**  
**ENGAGE "LATCH" AFTER USING LIFTGATE.**  
**Nota:**  
**REMUEVA EL "PESTILLO" ANTES DE INTENTAR USAR EL ELEVADOR.**  
**COLOQUE EL "PESTILLO" DESPUES DE USAR EL ELEVADOR.**

A-131056

201

**WELD WARNING!**  
**FOR ALL ANTHONY "SERVICE-FREE" LIFTGATES**  
 When performing welding during installation, service, or repair on Anthony "SF" Service-Free liftgates, the actual part being welded must be grounded. Failure to follow this instruction can cause the welding ground to travel through the high pressure hydraulic hose as the source of ground, thus causing damage to the hose from the powerful electric current. The resulting damage to the hose may or may not be visible and can cause unexpected, catastrophic failure of the lift. If you have any questions, please contact Anthony Liftgates, Inc., Pontiac, Illinois. (800-482-0003)  
**¡ADVERTENCIA ANTES DE SOLDAR!**  
**PARA TODOS LOS ELEVADORES ANTHONY "SERVICE-FREE"**  
 Cuando se tenga que soldar durante instalación, servicio o reparación de un elevador Anthony "SF" Service-Free, la pieza que se está soldando debe estar a tierra. El no seguir esta instrucción causará que la tierra de la máquina soldadora viaje a través de la manguera hidráulica de alta presión hasta la fuente de tierra. La intensa corriente eléctrica dañará la manguera. El daño resultante puede ser visible o invisible, y puede causar una inesperada falla catastrófica del elevador. Si usted tiene alguna pregunta al respecto, por favor contacte Anthony Liftgates, Inc., Pontiac, Illinois, USA. (800-482-0003)

A-131057

212

**AFTER USING LIFTGATE, SECURE LATCH, AND IF EQUIPPED WITH POWER CUT-OFF SWITCH, TURN OFF POWER TO PREVENT UNAUTHORIZED USE OF LIFTGATE.**  
**DESPUES DE USAR EL ELEVADOR, ASEGURE EL PESTILLO, Y SI EXISTE UN INTERRUPTOR DE CORRIENTE, ACCIONELO PARA EVITAR EL USO NO AUTORIZADO DEL ELEVADOR.**

A-131053-C

213

**STAND CLEAR DO NOT RIDE ON LIFT**  
**MANTENGASE ALEJADO NO VIAJE EN EL ELEVADOR**

A-131052-C

214

**ANTHONY "WELLS" SERIES LIFTGATE OPERATING INSTRUCTIONS**  
**INSTRUCCIONES DE TRABAJO**  
 1. UNLATCH LIFTGATE BY PULLING DOWN SLIDING "LATCH" IN DIRECTION OF ARROW. 2. LOWER PLATFORM BY PULLING CONTROL SWITCH TO "DOWN" POSITION. PLATFORM WILL BEGIN TO MOVE IN LOWER POSITION. 3. UNFOLD PLATFORM BY PULLING PLATFORM HANDLE OUTWARD AND TOWARD GROUND. 4. UNFOLD "FLIP" SECTION. 5. TO RAISE THE PLATFORM, PRESSURE THE PLATFORM HANDLE TO THE "UP" POSITION. TO LOWER THE PLATFORM, PRESS THE "DOWN" BUTTON. PLATFORM HANDLE WILL RETURN TO "DOWN" POSITION. 6. TO PLACE LIFTGATE BACK TO STORED POSITION, LOWER PLATFORM TO GROUND AND REVERSE STEP 1, 2, 3 & 4. 7. DESMONTAR LA PUERTA LEVADA QUANDO SE LEVADA EL PASADOR DEL ELEVADOR EN LA DIRECCION INDICADA POR LA FLECHA. 8. EMPUJE EL INTERRUPTOR DE CONTROL HACIA "DOWN" (PARA ABAJO) PARA BAJAR LA PLATAFORMA. LA PLATAFORMA COMENZARA A BAJAR Y MOVERSE HACIA ABAJO. 9. DESPUES DE BAJAR LA PLATAFORMA TRAYENDO DE LA PALANCA DE LA PLATAFORMA HACIA AFUERA Y HACIA EL SUELO. 10. DESPLIEGUE LA SECCION "ABATIBLE". 11. PARA LEVANTAR LA PLATAFORMA, PRESIONE EL BOTON DE ARRIBA. PARA BAJAR LA PLATAFORMA, PRESIONE EL BOTON DE ABAJO. 12. PARA BAJAR LA PLATAFORMA, PRESIONE LA PALANCA DE CONTROL HACIA ABAJO. LA PLATAFORMA COMENZARA A BAJAR Y MOVERSE HACIA ABAJO. 13. DESPUES DE BAJAR LA PLATAFORMA, PRESIONE EL BOTON DE ARRIBA PARA DEVOLVER LA PALANCA DE CONTROL HACIA SU POSICION ORIGINAL. 14. PARA COLOCAR LA PLATAFORMA DE NUEVO EN SU POSICION DE ALMACENAMIENTO, BAJE LA PLATAFORMA HACIA EL SUELO Y REVERSA LOS PASOS 1, 2, 3 Y 4. 15. PARA LEVANTAR LA PLATAFORMA, PRESIONE EL BOTON DE ARRIBA. PARA BAJAR LA PLATAFORMA, PRESIONE EL BOTON DE ABAJO. 16. PARA BAJAR LA PLATAFORMA, PRESIONE LA PALANCA DE CONTROL HACIA ABAJO. LA PLATAFORMA COMENZARA A BAJAR Y MOVERSE HACIA ABAJO. 17. DESPUES DE BAJAR LA PLATAFORMA, PRESIONE EL BOTON DE ARRIBA PARA DEVOLVER LA PALANCA DE CONTROL HACIA SU POSICION ORIGINAL. 18. PARA COLOCAR LA PLATAFORMA DE NUEVO EN SU POSICION DE ALMACENAMIENTO, BAJE LA PLATAFORMA HACIA EL SUELO Y REVERSA LOS PASOS 1, 2, 3 Y 4.

**ANTHONY LIFTGATES, INC.**  
 1037 WEST HOWARD ST. PONTIAC, IL 61764

A-131045-C

216

**URGENT WARNING**  
**ANTHONY LIFTGATES, INC. OPERATING INSTRUCTIONS**  
**ADVERTENCIA URGENTE**  
**INSTRUCCIONES PARA LA PLATAFORMA ELEVADORA**

217

**ANTHONY LIFTGATES, INC. WARNING PERSONAL INJURY HAZARD**  
 Operation may require user to stand on platform. To prevent injury or death of operators or bystanders:  
 • Read and follow operator/owner manual for safety, operation, inspection, and maintenance instructions.  
 • Do not place unstable or unsafe loads on platform.  
 • Do not allow loads to extend over edge of platform.  
 • Do not exceed capacity or use liftgate for anything other than intended purpose.  
 • Be aware of surroundings when operating liftgate.  
 • Do not allow body parts to contact moving components.  
 • Ensure footing is stable and stand away from edge before raising or lowering platform.  
 • Owner/operators must properly maintain liftgate.

A-131115

218

**AVISO**  
**ESTE PANEL POSTERIOR ESTÁ PROTEGIDO CON UN DISYUNTOR DE SOBRECARGA ELÉCTRICA, UBICADO, CERCA DE LA FUENTE DE ALIMENTACIÓN.**

A-150238-S

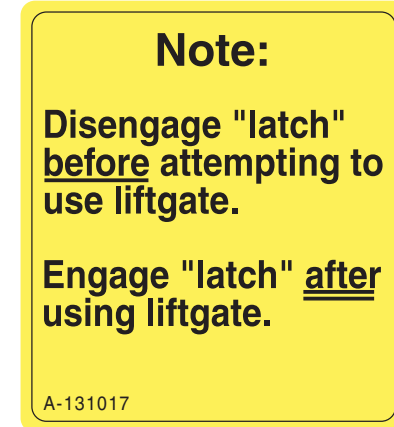
182.2 — A-140705 — ENGLISH DECAL KIT ONLY (3000LB CAPACITY)

Item	Part Number	Description	Qty.
191	ATU-147	DECAL: 3000LB MAXIMUM CAPACITY	1
199	A-131017	DECAL: NOTE - DISENGAGE LATCH	1
201	A-131028	DECAL: WELD WARNING	1
202	A-131034	DECAL: ANTHONY LABEL	1
206	A-131075	DECAL: MTU HYDRAULIC OIL LEVEL	1
211	A-150601	DECAL: MADE IN THE USA	1
212	ATU-141	DECAL: AFTER USING LIFTGATE	2
214	A-131045	DECAL: OPERATING INSTRUCTIONS	1
217	A-131115	DECAL: WARNING - PERSONAL INJURY	1
218	A-150238	DECAL: NOTICE - PROTECTED WITH ELECTRICAL OVERLOAD CIRCUIT BREAKER	1

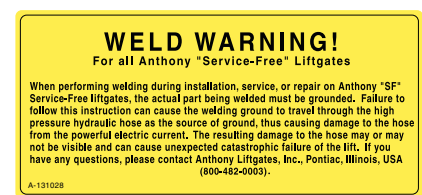
191



199



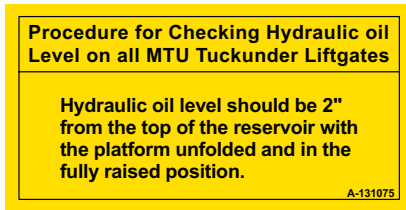
201



202



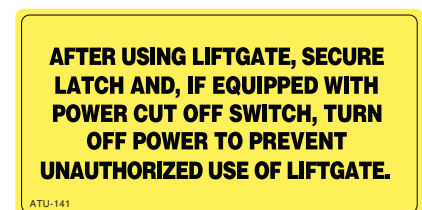
206



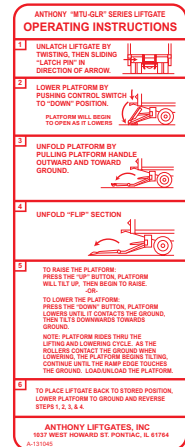
211



212



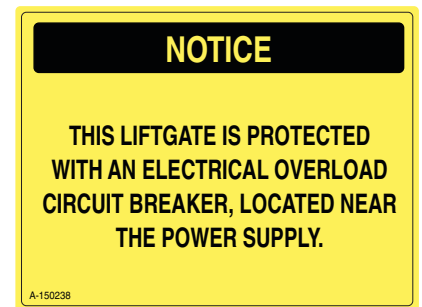
214



217



218



181.4 — A-140121 — ENGLISH DECAL/INSTALL KIT (4000LB CAPACITY)

Item	Part Number	Description	Qty.
156.4	A-133063	FUSE, 200A (not shown)	1
181.91	L-401	MTU-GLR INSTALLATION AND OPERATION MANUAL (not shown)	1
192	A-171433	DECAL: 4000LB MAXIMUM CAPACITY	1
199	A-131017	DECAL: NOTE - DISENGAGE LATCH	1
201	A-131028	DECAL: WELD WARNING	1
212	ATU-141	DECAL: AFTER USING LIFTGATE	2
213	ATU-146	DECAL: STAND CLEAR	2
214	A-131045	DECAL: OPERATING INSTRUCTIONS	1
216	Q-003013	DECAL: URGENT WARNING	1
217	A-131115	DECAL: WARNING - PERSONAL INJURY	2
218	A-150238	DECAL: NOTICE - PROTECTED WITH ELECTRICAL OVERLOAD CIRCUIT BREAKER	1
—	ATU-071	LEVELING SHIM (not shown)	6

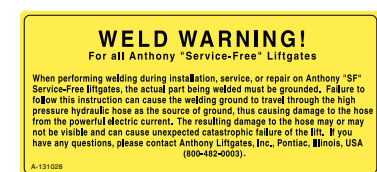
192



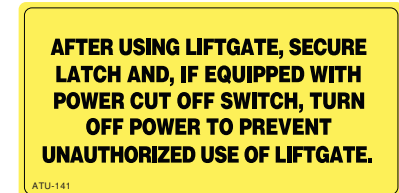
199



201



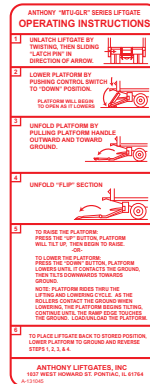
212



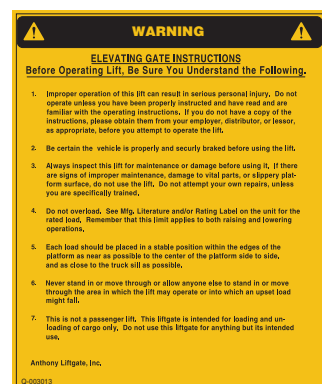
213



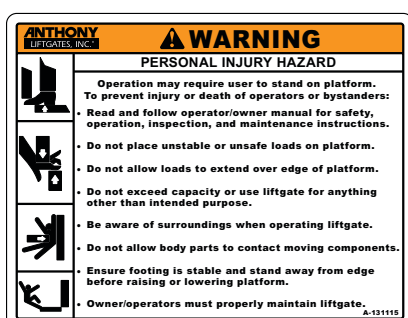
214



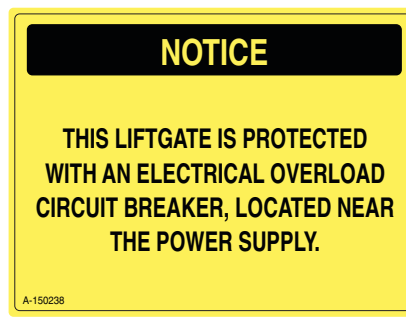
216



217



218



181.5 — A-140121-S — SPANISH DECAL/INSTALL KIT (4000LB CAPACITY)

Item	Part Number	Description	Qty.
156.4	A-133063	FUSE, 200A	1
181.91	L-401	MTU-GLR INSTALLATION AND OPERATION MANUAL (not shown)	1
192	A-171433	DECAL: 4000LB/1800KG MAXIMUM CAPACITY	1
199	A-131017-S	DECAL: NOTE - DISENGAGE LATCH	1
201	A-131057	DECAL: WELD WARNING	1
212	A-131053-C	DECAL: AFTER USING LIFTGATE	2
213	A-131052-C	DECAL: STAND CLEAR	2
214	A-131045-C	DECAL: OPERATING INSTRUCTIONS	1
216	A-131054-C	DECAL: URGENT WARNING	1
217	A-131115	DECAL: WARNING - PERSONAL INJURY	2
218	A-150238-S	DECAL: NOTICE - PROTECTED WITH ELECTRICAL OVERLOAD CIRCUIT BREAKER	1
—	ATU-071	LEVELING SHIM	6

192

**MAXIMUM CAPACITY**  
**4000 lb.**  
**1800 kg.**  
**CAPACIDAD MÁXIMA**

A-171433-C

199

**Nota:**  
**Desenganche el "pasador" antes de intentar utilizar el panel posterior.**  
**Enganche el "pasador" después de utilizar el panel posterior.**

A-131017-S

201

**WELD WARNING!**  
**FOR ALL ANTHONY "SERVICE-FREE" LIFTGATES**  
 When performing welding during installation, service, or repair on Anthony "SF" Service-Free Liftgates, the actual part being welded must be grounded. Failure to follow this instruction can cause the welding ground to travel through the high pressure hydraulic hose as the source of ground, thus causing damage to the hose from the powerful electric current. The resulting damage to the hose may or may not be visible and can cause unexpected, catastrophic failure of the lift. If you have any questions, please contact Anthony Liftgates, Inc., Pontiac, Illinois, (800-482-0003)

**¡ADVERTENCIA ANTES DE SOLDAR!**  
**PARA TODOS LOS ELEVADORES ANTHONY "SERVICE-FREE"**  
 Cuando se realiza trabajo de soldadura durante la instalación, servicio o reparación de un elevador Anthony "SF" Service-Free, la pieza que se está soldando debe estar a tierra. El no seguir esta instrucción causará que la tierra de la máquina soldadora viaje a través de la manguera hidráulica de alta presión hasta la fuente de tierra. La intensa corriente eléctrica dañará la manguera. El daño resultante puede ser visible o invisible, y puede causar una inesperada falla catastrófica del elevador. Si usted tiene alguna pregunta al respecto, por favor contacte Anthony Liftgates, Inc., Pontiac, Illinois, USA. (800-482-0003)

A-131057

212

**AFTER USING LIFTGATE, SECURE LATCH, AND IF EQUIPPED WITH POWER CUT-OFF SWITCH, TURN OFF POWER TO PREVENT UNAUTHORIZED USE OF LIFTGATE.**

**DESPUES DE USAR EL ELEVADOR, ASEGURE EL PESTILLO, Y SI EXISTE UN INTERRUPTOR DE CORRIENTE, ACCIONELO PARA EVITAR EL USO NO AUTORIZADO DEL ELEVADOR.**













A-131053-C

213

**STAND CLEAR**  
**DO NOT RIDE ON LIFT**  
**MANTENGASE ALEJADO**  
**NO VIAJE EN EL ELEVADOR**

A-131052-C

214

ANTHONY "MTU-GLR" SERIES LIFTGATE OPERATING INSTRUCTIONS	PUERTA LEVANTADA ANTHONY SERIE "MTU-GLR" INSTRUCCIONES DE TRABAJO
<p>1 UNLATCH LIFTGATE BY PULLING DOWN SLIDING "LATCH PIN" IN THE DIRECTION OF ARROW.</p> 	<p>1 DESBLOQUEE LA PUERTA LEVANTADA DESPUÉS DE LLEVAR A CABO DESLIZANDO EL "PASADOR DEL SEGURO" EN LA DIRECCIÓN INDICADA POR LA FLECHA.</p> 
<p>2 LOWER PLATFORM BY PUSHING CONTROL SWITCH TO "DOWN" POSITION. PLATFORM WILL BEGIN TO LOWER AS IT LOWERS.</p> 	<p>2 EMPUJE EL INTERRUPTOR DE CONTROL HACIA "DOWN" (ABAJO) PARA BAJAR LA PLATAFORMA. LA PLATAFORMA COMENZARÁ A BAJARSE A MENOS QUE SEA A...</p> 
<p>3 UNFOLD PLATFORM BY PULLING PLATFORM HANDLE OUTWARD AND TOWARD GROUND.</p> 	<p>3 DESPLIEGUE LA PLATAFORMA TRAJENDO DE LA PALANCA DE LA PLATAFORMA HACIA AFUERA Y HACIA EL SUELO.</p> 
<p>4 UNFOLD "FLIP" SECTION.</p> 	<p>4 DESPLIEGUE LA SECCIÓN "ABATIBLE".</p> 
<p>5 TO RAISE THE PLATFORM, PRESS THE "UP" BUTTON. PLATFORM WILL FLIP UP. THEN BEGIN TO RAISE. TO LOWER THE PLATFORM, PRESS THE "DOWN" BUTTON. PLATFORM WILL FLIP DOWN. THEN IT IS LOWERED TOWARDS GROUND. NOTE: PLATFORM RIDES THRU THE UPFOLDING/LOWERING CYCLE AS THE ROLLER CONTACTS THE GROUND WHEN LOWERING. THE PLATFORM BEGINS TO UNFOLD WHEN THE ROLLER CONTACTS THE GROUND. LOWERING THE PLATFORM.</p> 	<p>5 PARA LEVANTAR LA PLATAFORMA, PRESIONE EL BOTÓN "ARriba". LA PLATAFORMA SE INCLINARÁ HACIA ARRIBA Y, LUEGO, COMENZARÁ A SUBIRSE. PARA BAJAR LA PLATAFORMA, PRESIONE EL BOTÓN "Abajo". LA PLATAFORMA SE INCLINARÁ HACIA ABAJO Y, LUEGO, SE INCLINARÁ HACIA EL SUELO. NOTA: LA PLATAFORMA SE DESPLAZA DURANTE TODOS LOS CICLOS DE SUBIDA Y BAJADA. CUANDO EL ROLLO DE CONTACTO CON EL SUELO SE BAJA, LA PLATAFORMA COMENZARÁ A INCLINARSE. CUANDO HAY QUE SE BAJA, LA PLATAFORMA COMENZARÁ A DESPLAZARSE HACIA LA PLATAFORMA.</p> 
<p>6 TO PLACE LIFTGATE BACK TO STORED POSITION: 1. LOWER PLATFORM TO GROUND AND REVERSE STEPS 1, 2, 3 &amp; 4.</p> 	<p>6 PARA COLOCAR LA PUERTA LEVANTADA OTRA VEZ EN LA POSICIÓN DE ALMACENAMIENTO, BAJE LA PLATAFORMA HACIA EL SUELO Y REPITA LOS PASOS 1, 2, 3 Y 4.</p> 

ANTHONY LIFTGATES, INC.  
 1037 WEST HOWARD ST. PONTIAC, IL 61764

A-101045

216

**URGENT WARNING**  
 ELEVATING GATE RESTRICTIONS

Before Operating Lift, Be Sure You Understand the Following:

1. Always operate the lift on a firm, level surface. Do not operate on uneven, slippery, or unstable surfaces. Do not operate on wet, icy, or snow-covered surfaces. Do not operate on surfaces that are not designed for the lift.
2. Do not exceed the rated capacity of the lift. Do not exceed the rated capacity of the lift.
3. Always inspect the lift for damage or wear before use. Do not use a lift that is damaged or worn. Do not use a lift that is not designed for the lift.
4. Do not operate the lift with any modifications or alterations. Do not use the lift for any purpose other than that intended.
5. Do not use the lift for any purpose other than that intended. Do not use the lift for any purpose other than that intended.
6. Do not use the lift for any purpose other than that intended. Do not use the lift for any purpose other than that intended.
7. Do not use the lift for any purpose other than that intended. Do not use the lift for any purpose other than that intended.
8. Do not use the lift for any purpose other than that intended. Do not use the lift for any purpose other than that intended.
9. Do not use the lift for any purpose other than that intended. Do not use the lift for any purpose other than that intended.
10. Do not use the lift for any purpose other than that intended. Do not use the lift for any purpose other than that intended.

**ADVERTENCIA URGENTE**  
 INSTRUCCIONES PARA LA COMPLETA SEGURIDAD

Antes de Operar el Elevador, Asegurese de Entender lo Seguido:

1. Siempre opere el elevador en una superficie firme, nivelada y estable. No opere en superficies irregulares, resbaladizas o inestables. No opere en superficies húmedas, heladas o con nieve. No opere en superficies que no estén diseñadas para el elevador.
2. No exceda la capacidad nominal del elevador. No exceda la capacidad nominal del elevador.
3. Siempre inspeccione el elevador antes de usarlo. No use un elevador que esté dañado o desgastado. No use un elevador que no esté diseñado para el elevador.
4. No opere el elevador con modificaciones o alteraciones. No use el elevador para ningún propósito que no sea el que está diseñado para él.
5. No use el elevador para ningún propósito que no sea el que está diseñado para él. No use el elevador para ningún propósito que no sea el que está diseñado para él.
6. No use el elevador para ningún propósito que no sea el que está diseñado para él. No use el elevador para ningún propósito que no sea el que está diseñado para él.
7. No use el elevador para ningún propósito que no sea el que está diseñado para él. No use el elevador para ningún propósito que no sea el que está diseñado para él.
8. No use el elevador para ningún propósito que no sea el que está diseñado para él. No use el elevador para ningún propósito que no sea el que está diseñado para él.
9. No use el elevador para ningún propósito que no sea el que está diseñado para él. No use el elevador para ningún propósito que no sea el que está diseñado para él.
10. No use el elevador para ningún propósito que no sea el que está diseñado para él. No use el elevador para ningún propósito que no sea el que está diseñado para él.

A-131054-C

217

**ANTHONY LIFTGATES, INC.**

**WARNING**  
**PERSONAL INJURY HAZARD**

Operation may require user to stand on platform. To prevent injury or death of operators or bystanders:

- Read and follow operator/owner manual for safety, operation, inspection, and maintenance instructions.
- Do not place unstable or unsafe loads on platform.
- Do not allow loads to extend over edge of platform.
- Do not exceed capacity or use liftgate for anything other than intended purpose.
- Be aware of surroundings when operating liftgate.
- Do not allow body parts to contact moving components.
- Ensure footing is stable and stand away from edge before raising or lowering platform.
- Owner/operators must properly maintain liftgate.

A-131115

218

**AVISO**

**ESTE PANEL POSTERIOR ESTÁ PROTEGIDO CON UN DISYUNTOR DE SOBRECARGA ELÉCTRICA, UBICADO, CERCA DE LA FUENTE DE ALIMENTACIÓN.**

A-150238-S



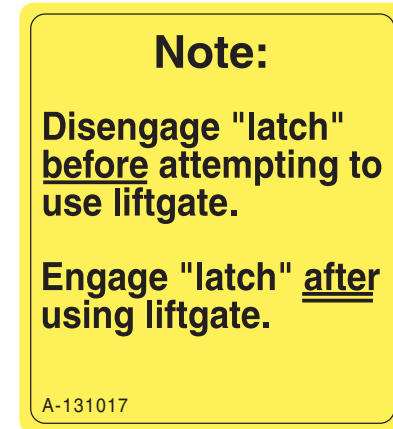
182.3 — A-140706 — ENGLISH DECAL KIT ONLY (4000LB CAPACITY)

Item	Part Number	Description	Qty.
192	A-171433	DECAL: 4000LB MAXIMUM CAPACITY	1
199	A-131017	DECAL: NOTE - DISENGAGE LATCH	1
201	A-131028	DECAL: WELD WARNING	1
202	A-131034	DECAL: ANTHONY LABEL	1
206	A-131075	DECAL: MTU HYDRAULIC OIL LEVEL	1
211	A-150601	DECAL: MADE IN THE USA	1
212	ATU-141	DECAL: AFTER USING LIFTGATE	2
214	A-131045	DECAL: OPERATING INSTRUCTIONS	1
217	A-131115	DECAL: WARNING, PERSONAL INJURY	2
218	A-150238	DECAL: NOTICE, PROTECTED WITH ELECTRICAL OVERLOAD CIRCUIT BREAKER	1

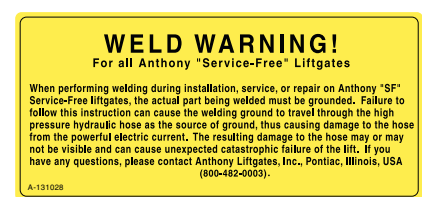
192



199



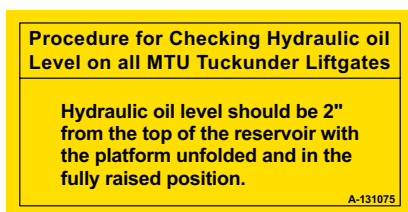
201



202



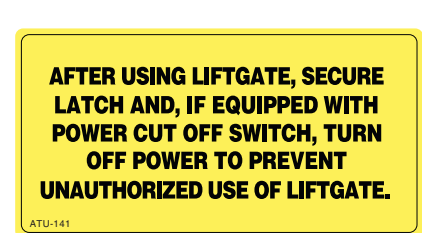
206



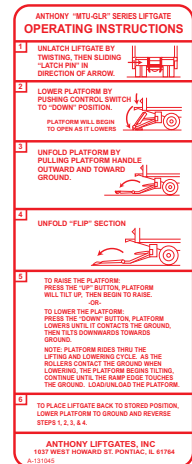
211



212



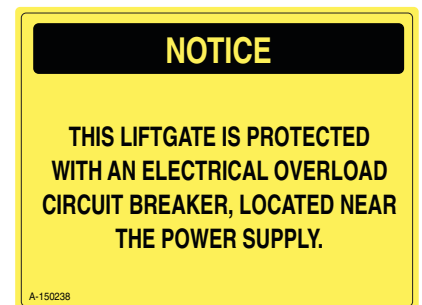
214



217



218



# NOTES



# NOTES



**ANTHONY**  
LIFTGATES, INC.®

**MTU-GLR-WR**



**ANTHONY LIFTGATES, INC.**  
**1037 W. HOWARD ST. • P.O. BOX 615**  
**PONTIAC, IL 61764-0615**  
**PH: 815-842-3383**  
**FAX: 815-844-3612**  
**TOLL FREE: 800-482-0003**  
**WWW.ANTHONYLIFTGATES.COM**