

ANTHONY
LIFTGATES, INC.™

MTU-GLR-3-4



PARTS MANUAL

For Magnum Tuckunder™ Hydraulic Liftgates

MODELS

MTU-GLR-25
MTU-GLR-3
MTU-GLR-4



QUALITY, RELIABILITY, CUSTOMER SERVICE

MADE IN THE USA 

Contents

1. General Information Section MTU-GLR 3-4 Only	3
2. Dock Bumper and Decals	4
3. Pump Box	8
4. Hydraulic Power Pack	9
5. Frame Mounting Assembly	10
6. Rocker Assembly	12
7. Hydraulic Cylinders	14
8. Lift Frame	18
9. Platform Assemblies	20
10. Flip-Over Platform	26
11. Fuse Assembly and Miscellaneous Accessories	30
12. Control Switch Assembly	32
13. Pin and Bushing Kits	34
14. Safety and Instructional Decals	36

1. General Information Section MTU-GLR 3-4 Only

1.1 Ordering Parts

We manufacture a quality liftgate that requires very little maintenance or repair. However, should a part break, become damaged, or worn, our knowledgeable staff can make sure you receive the part(s) to put your liftgate back into operation.

Note: The liftgate’s packet of information does not contain a “parts manual.” The most current and up-to-date parts manuals can be obtained by accessing our website anytime.

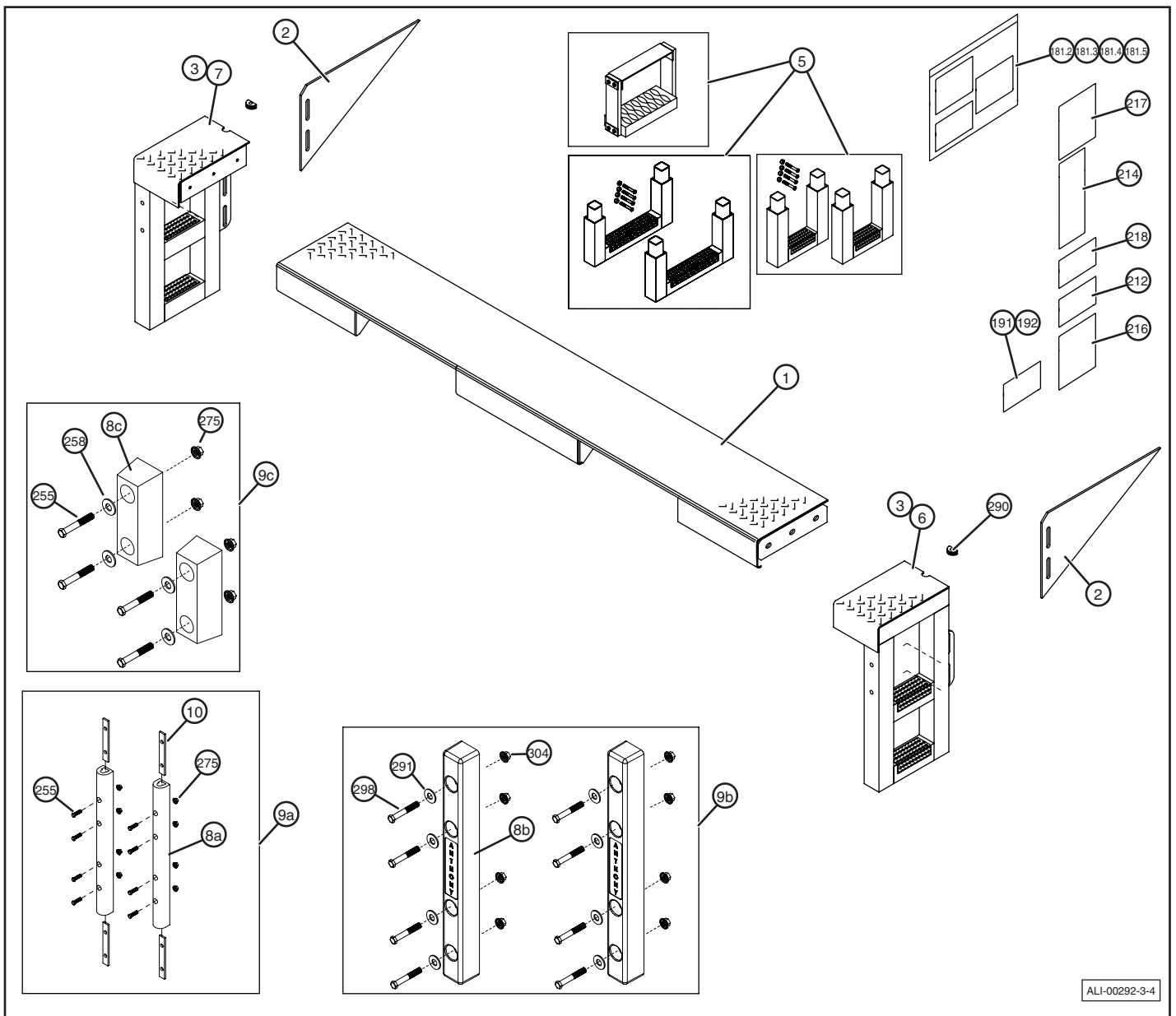
Our website address is **www.anthonyliftgates.com**
Click on “Manual” and choose a model.

If you do not have access to the internet, or just prefer a printed copy of a manual, we can send one to you. Call or write our office listed below.

For questions or to order parts, contact:

Anthony Liftgates, Inc.
1037 West Howard Street
Pontiac, Illinois 61764
(815) 842-3383
Web: www.anthonyliftgates.com
Email: Sales@anthonyliftgates.com

2. Dock Bumper and Decals

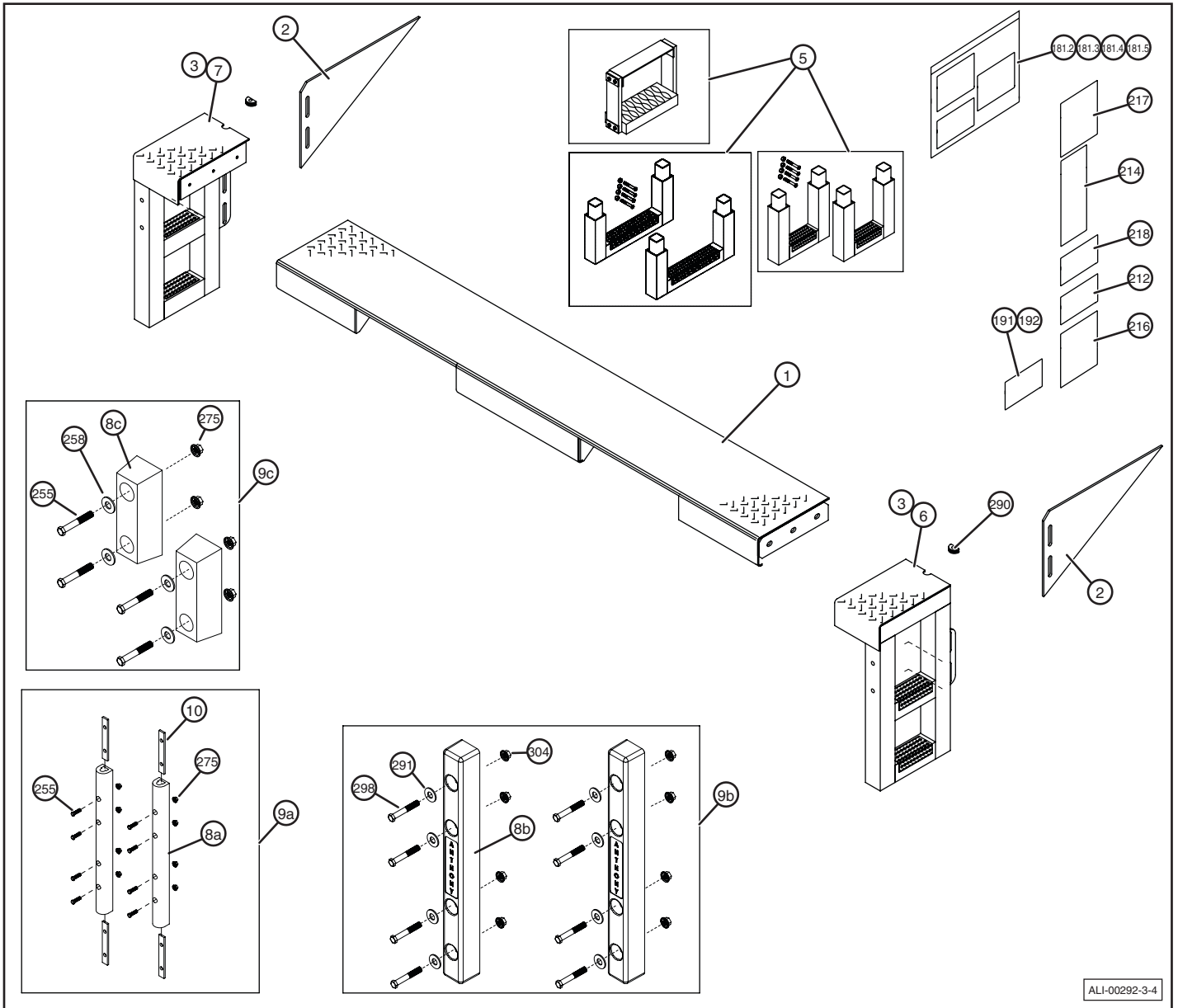


ALI-00292-3-4

Item	Part Number	Description	Qty.
1	A-140028	FLOOR EXTENSION WELDMENT - 96" (3/16" DECK)	1
	A-140028-G	FLOOR EXTENSION WELDMENT - 96" (3/16" DECK)	
	A-140028-W	FLOOR EXTENSION WELDMENT - 96" (3/16" DECK)	
	A-140247	FLOOR EXTENSION WELDMENT - 96" (1/4" DECK)	
	A-140247-G	FLOOR EXTENSION WELDMENT - 96" (1/4" DECK)	
	A-140805	FLOOR EXTENSION WELDMENT - 96" X 18" DEEP (1/4" DECK)	
	A-140710	FLOOR EXTENSION WELDMENT - 96" X 18" DEEP (1/4" DECK)	
	A-140710-G	FLOOR EXTENSION WELDMENT - 96" X 18" DEEP OLD-STYLE WALKRAMP (1/4" DECK)	
	A-140937	FLOOR EXTENSION WELDMENT - 96" X 18" DEEP OLD-STYLE WALKRAMP (1/4" DECK)	
	A-140937-G	FLOOR EXTENSION WELDMENT - 96" WALKRAMP (3/16" DECK)	
	A-140201	FLOOR EXTENSION WELDMENT - 96" WALKRAMP (3/16" DECK)	
	A-140201-W	FLOOR EXTENSION WELDMENT - 96" WALKRAMP (1/4" DECK)	
	A-140663	FLOOR EXTENSION WELDMENT - 102" (3/16" DECK)	
	A-140056	FLOOR EXTENSION WELDMENT - 102" (3/16" DECK)	

Item	Part Number	Description	Qty.
1	A-140056-G	FLOOR EXTENSION WELDMENT - 102" (3/16" DECK)	1
	A-140056-W	FLOOR EXTENSION WELDMENT - 102" (3/16" DECK)	
	A-140246	FLOOR EXTENSION WELDMENT - 102" (1/4" DECK)	
	A-140246-G	FLOOR EXTENSION WELDMENT - 102" (1/4" DECK)	
	A-140729	FLOOR EXTENSION WELDMENT - 102" (1/4" DECK) MTU-PLUS	
	A-140806	FLOOR EXTENSION WELDMENT - 102" (3/8" DECK)	
	A-140806-G	FLOOR EXTENSION WELDMENT - 102" (3/8" DECK)	
	A-140711	FLOOR EXTENSION WELDMENT - 102" X 18" DEEP (1/4" DECK)	
	A-140711-G	FLOOR EXTENSION WELDMENT - 102" X 18" DEEP (1/4" DECK)	
	A-140942	FLOOR EXTENSION WELDMENT - 102" X 18" DEEP OLD-STYLE WALKRAMP (1/4" DECK)	
	A-140942-G	FLOOR EXTENSION WELDMENT - 102" X 18" DEEP OLD-STYLE WALKRAMP (1/4" DECK)	
	A-140944	FLOOR EXTENSION WELDMENT - 102" X 18" DEEP (3/8" DECK)	
	A-140944-G	FLOOR EXTENSION WELDMENT - 102" X 18" DEEP (3/8" DECK)	
	A-140202	FLOOR EXTENSION WELDMENT - 102" WALKRAMP (3/16" DECK)	
	A-140202-W	FLOOR EXTENSION WELDMENT - 102" WALKRAMP (3/16" DECK)	
	A-140664	FLOOR EXTENSION WELDMENT - 102" WALKRAMP (1/4" DECK)	
2	ATU-200	GUSSET-FOR DOCK BUMPER/STEPS	2
	ATU-200-G	GUSSET-FOR DOCK BUMPER/STEPS	2
	A-140685-R	GUSSET-FOR XD DOCK BUMPER/STEPS	1
	A-140685-R-G	GUSSET-FOR XD DOCK BUMPER/STEPS	1
	A-140685-L	GUSSET-FOR XD DOCK BUMPER/STEPS	1
	A-140685-L-G	GUSSET-FOR XD DOCK BUMPER/STEPS	1
	ATU-1442	BOLT-ON GUSSET KIT	1
3	ATU-984	DOCK BUMPER SET WITH PADS AND GUSSETS (96" ONLY)	1
	ATU-984-G	DOCK BUMPER SET WITH PADS AND GUSSETS (96" ONLY)	
	ATU-1470	DOCK BUMPER SET WITH FLEXI-STEP, 8" PADS AND GUSSETS (96" ONLY)	
	ATU-1470-G	DOCK BUMPER SET WITH FLEXI-STEP, 8" PADS AND GUSSETS (96" ONLY)	
	A-140772	DOCK BUMPER SET WITH PADS AND GUSSETS (96" ONLY)	
	A-140772-G	DOCK BUMPER SET WITH PADS AND GUSSETS (96" ONLY)	
	A-140793	DOCK BUMPER SET WITH EXTENSION PRE-WELDED, WITH PADS AND GUSSETS	
	A-140920	DOCK BUMPER SET WITH PADS AND GUSSETS (96" ONLY)	
	A-140920-G	DOCK BUMPER SET WITH PADS AND GUSSETS (96" ONLY)	
	A-140218	DOCK BUMPER SET WITH 8" PADS AND GUSSETS (102" ONLY)	
	A-140218-G	DOCK BUMPER SET WITH 8" PADS AND GUSSETS (102" ONLY)	
	ATU-867	DOCK BUMPER SET WITH 20" PADS AND GUSSETS (102" ONLY)	
	ATU-867-G	DOCK BUMPER SET WITH 20" PADS AND GUSSETS (102" ONLY)	
	A-140897	DOCK BUMPER SET WITH UHMW PADS AND GUSSETS (102" ONLY)	
	A-140897-G	DOCK BUMPER SET WITH UHMW PADS AND GUSSETS (102" ONLY)	
	A-140681	XD DOCK BUMPER SET WITH 20" PADS AND GUSSETS (102" ONLY)	
	A-140681-G	XD DOCK BUMPER SET WITH 20" PADS AND GUSSETS (102" ONLY)	
	A-140898	XD DOCK BUMPER SET WITH UHMW PADS AND GUSSETS (102" ONLY)	
	A-140898-G	XD DOCK BUMPER SET WITH UHMW PADS AND GUSSETS (102" ONLY)	
	A-140112	DOCK BUMPER SET WITH GUSSETS, NO PADS (102" ONLY)	
	A-140112-G	DOCK BUMPER SET WITH GUSSETS, NO PADS (102" ONLY)	
	SG-1086	DOCK BUMPER SET WITH 8" PADS - SONAR COMPATIBLE (102" ONLY)	
	A-140899	DOCK BUMPER SET WITH LIGHTS, PADS, AND GUSSETS (102" ONLY)	
	A-140743	DOCK BUMPER SET WITH EXTENSION PRE-WELDED, WITH PADS AND GUSSETS	
	A-140743-G	DOCK BUMPER SET WITH EXTENSION PRE-WELDED, WITH PADS AND GUSSETS	
	A-140913	XD DOCK BUMPER SET WITH EXTENSION PRE-WELDED, WITH PAD AND GUSSETS	
	A-140913-G	XD DOCK BUMPER SET WITH EXTENSION PRE-WELDED, WITH PAD AND GUSSETS	
A-140762	DOCK BUMPER SET WITH FLEXI-STEP, 20" PADS AND GUSSETS (102" ONLY)		
A-140762-G	DOCK BUMPER SET WITH FLEXI-STEP, 20" PADS AND GUSSETS (102" ONLY)		

2. Dock Bumper and Decals (continued)



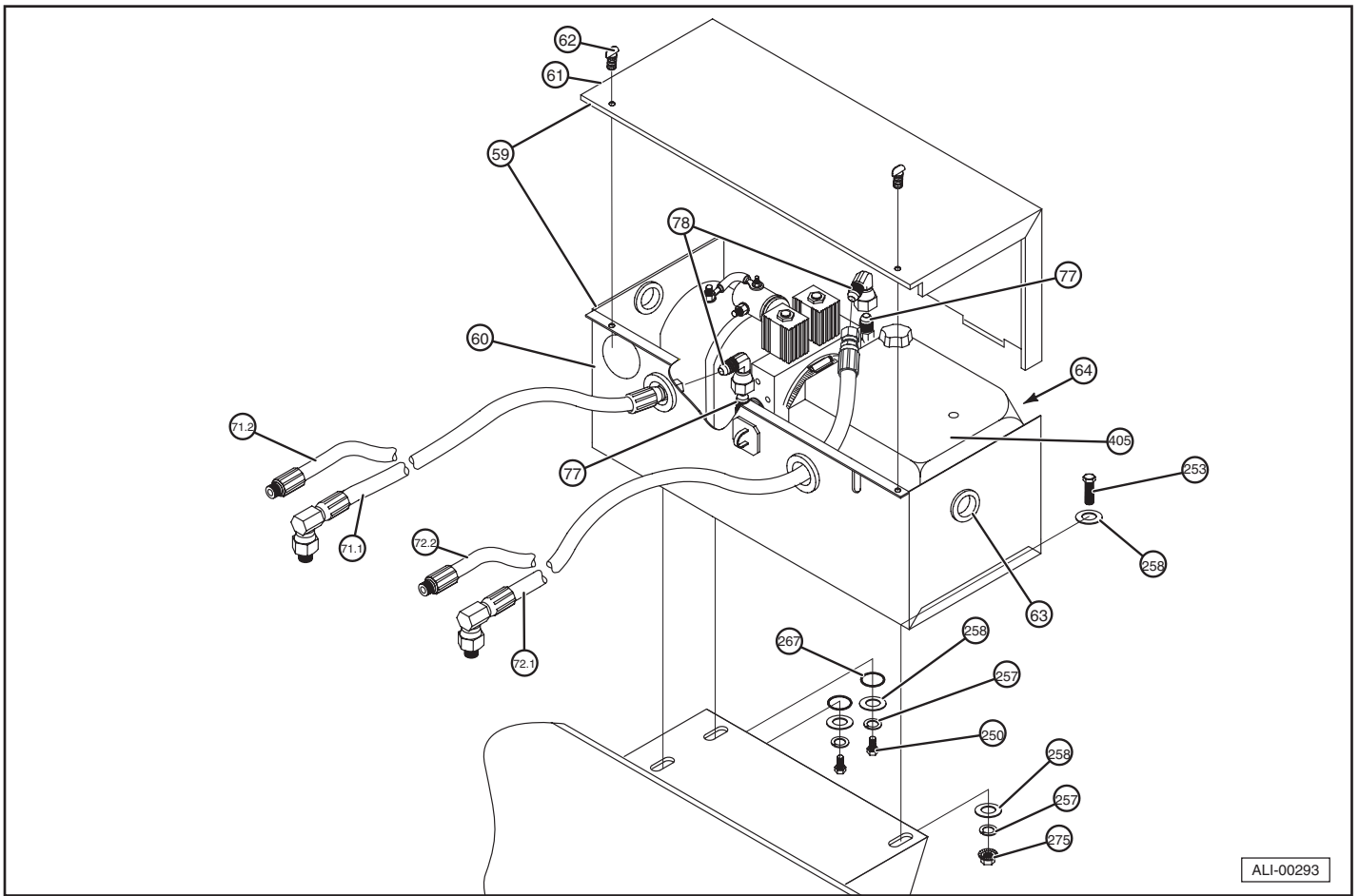
ALI-00292-3-4

Item	Part Number	Description	Qty.
3	A-140939	DOCK BUMPER 1-STEP WITH FLEXI-STEP SET WITH PADS AND GUSSETS (102" ONLY) 12" DEEP	1
	A-140939-G	DOCK BUMPER 1-STEP WITH FLEXI-STEP SET WITH PADS AND GUSSETS (102" ONLY) 12" DEEP	
	A-140721	DOCK BUMPER SET WITH 20" PADS AND GUSSETS (102" ONLY) 18" DEEP	
	A-140721-G	DOCK BUMPER SET WITH 20" PADS AND GUSSETS (102" ONLY) 18" DEEP	
	A-140690	XD DOCK BUMPER SET WITH 20" PADS AND GUSSETS (102" ONLY) 18" DEEP	
	A-140690-G	XD DOCK BUMPER SET WITH 20" PADS AND GUSSETS (102" ONLY) 18" DEEP	
5	ATU-1452	STEP EXTENSION KIT (96" ONLY)	1
	ATU-1452-G	STEP EXTENSION KIT (96" ONLY)	
	A-140791	STEP EXTENSION KIT (96" ONLY)	
	A-140119	STEP EXTENSION KIT (102" ONLY) 12" DEEP	
	A-140119-G	STEP EXTENSION KIT (102" ONLY) 12" DEEP	
	A-140916	XD STEP EXTENSION KIT (102" ONLY) 12" DEEP	
A-140916-G	XD STEP EXTENSION KIT (102" ONLY) 12" DEEP		

Item	Part Number	Description	Qty.
5	A-140761	STEP EXTENSION KIT - FLEXI, 12" DEEP	2
	A-140747	STEP EXTENSION KIT (102" ONLY) 18" DEEP	1
	A-140747-G	STEP EXTENSION KIT (102" ONLY) 18" DEEP	1
	A-140917	XD STEP EXTENSION KIT (102" ONLY) 18" DEEP	1
	A-140917-G	XD STEP EXTENSION KIT (102" ONLY) 18" DEEP	1
6	A-140123	DOCK BUMPER WELDMENT WITH 8" PAD (CURBSIDE, 102" ONLY)	1
	ATU-865	DOCK BUMPER WELDMENT WITH 20" PAD (CURBSIDE, 102" ONLY)	
	ATU-865-G	DOCK BUMPER WELDMENT WITH 20" PAD (CURBSIDE, 102" ONLY)	
	A-140062	DOCK BUMPER WELDMENT-CURBSIDE (102" ONLY)	
	A-140062-G	DOCK BUMPER WELDMENT-CURBSIDE (102" ONLY)	
7	A-140124	DOCK BUMPER WELDMENT WITH 8" PAD (STREETSIDE, 102" ONLY)	1
	ATU-866	DOCK BUMPER WELDMENT WITH 20" PAD (STREETSIDE, 102" ONLY)	
	ATU-866-G	DOCK BUMPER WELDMENT WITH 20" PAD (STREETSIDE, 102" ONLY)	
	A-140063	DOCK BUMPER WELDMENT-STREETSIDE (102" ONLY)	
	A-140063-G	DOCK BUMPER WELDMENT-STREETSIDE (102" ONLY)	
8a	—	DOCK BUMPER PAD (replaced by ATU-798)	2
8b	ATU-798	DOCK BUMPER PAD (20")	
8c	ATU-793	DOCK BUMPER PAD (8")	
9a	—	DOCK BUMPER PAD KIT (replaced by ATU-1119)	1
9b	ATU-1119	DOCK BUMPER PAD KIT (20")	
9c	ATU-126	DOCK BUMPER PAD KIT (8")	
10	ATU-203	BUMPER REINFORCEMENT BAR	4
181.2	A-140120	DECAL/INSTALL KIT (3000LB CAPACITY) ¹	1
181.3	A-140120-S	DECAL/INSTALL KIT (3000LB CAPACITY) ¹	1
181.4	A-140121	DECAL/INSTALL KIT (4000LB CAPACITY) ¹	1
181.5	A-140121-S	DECAL/INSTALL KIT (4000LB CAPACITY) ¹	1
191	ATU-147	DECAL: 3000LB ¹	1
192	A-171433	DECAL: 4000LB ¹	1
212	ATU-141	DECAL: AFTER USING LIFTGATE ¹	1
	ATU-141-S	DECAL-SPANISH: AFTER USING LIFTGATE ¹	
214	ATU-423	DECAL: OPERATING INSTRUCTIONS ¹	1
	ATU-423-S	DECAL-SPANISH: OPERATING INSTRUCTIONS ¹	
216	Q-003013	DECAL: URGENT WARNING ¹	1
217	A-131115	DECAL: PERSONAL INJURY ¹	1
218	A-150238	DECAL: PROTECTED WITH ELECTRICAL OVERLOAD CIRCUIT BREAKER ¹	1
	A-150238-S	DECAL: PROTECTED WITH ELECTRICAL OVERLOAD CIRCUIT BREAKER ¹	
	A-150238-C	DECAL: PROTECTED WITH ELECTRICAL OVERLOAD CIRCUIT BREAKER ¹	
255	2019	3/8-16 X 1.75" BOLT	4 or 8
258	2058	3/8" FLAT WASHER	4
275	A-132038	3/8-16 FLANGE NUT, WHIZ-LOCK	4 or 8
290	A-140116	GROMMET, RUBBER	2
291	A-150065	1/2" FLAT WASHER	8
298	ATU-259	1/2-13 X 2" GRADE 8 BOLT	8
304	A-132301	1/2-13 NYLOCK GR8 NUT ZP	8

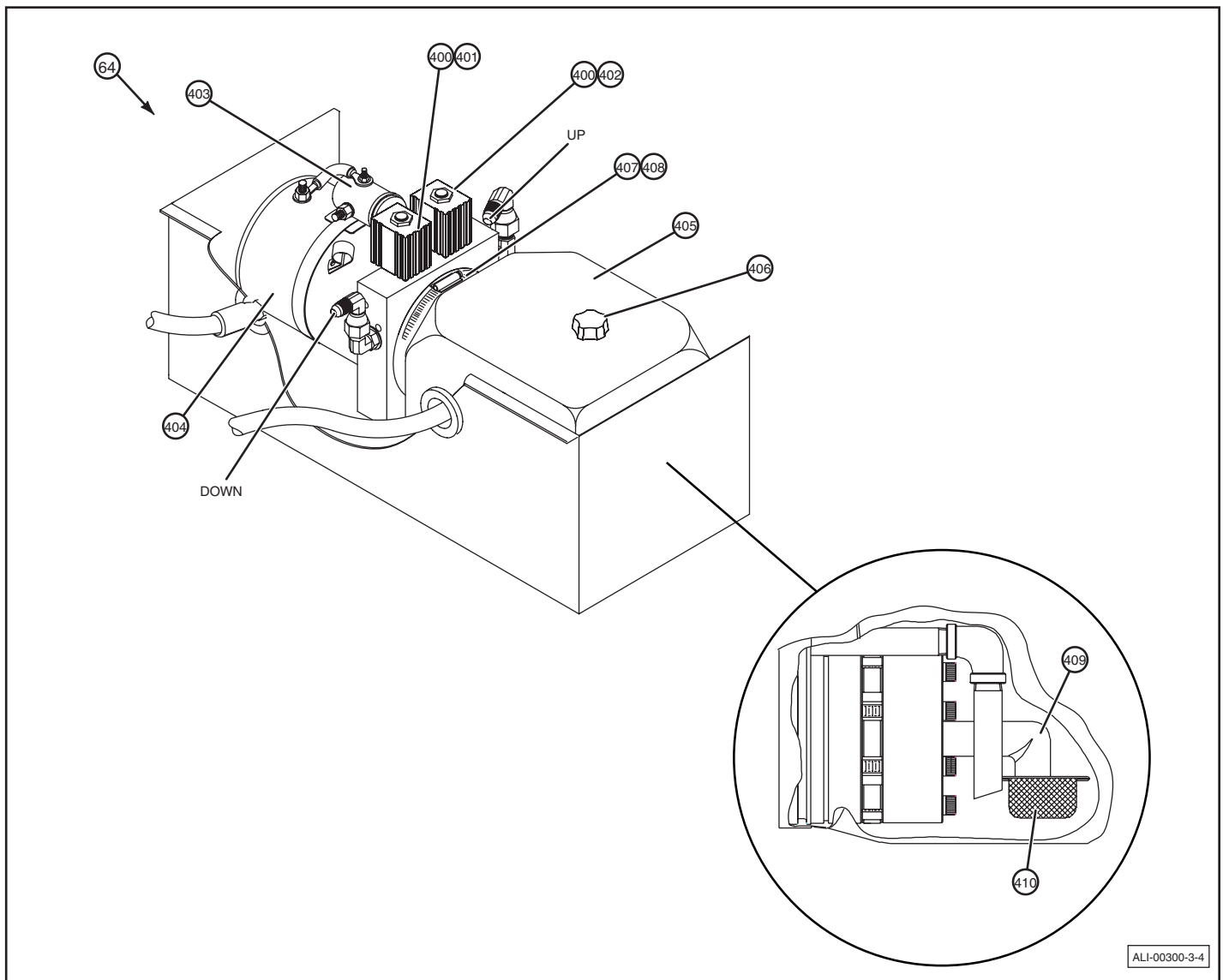
¹ Refer to Section 14 for a complete list and picture of the decals.

3. Pump Box



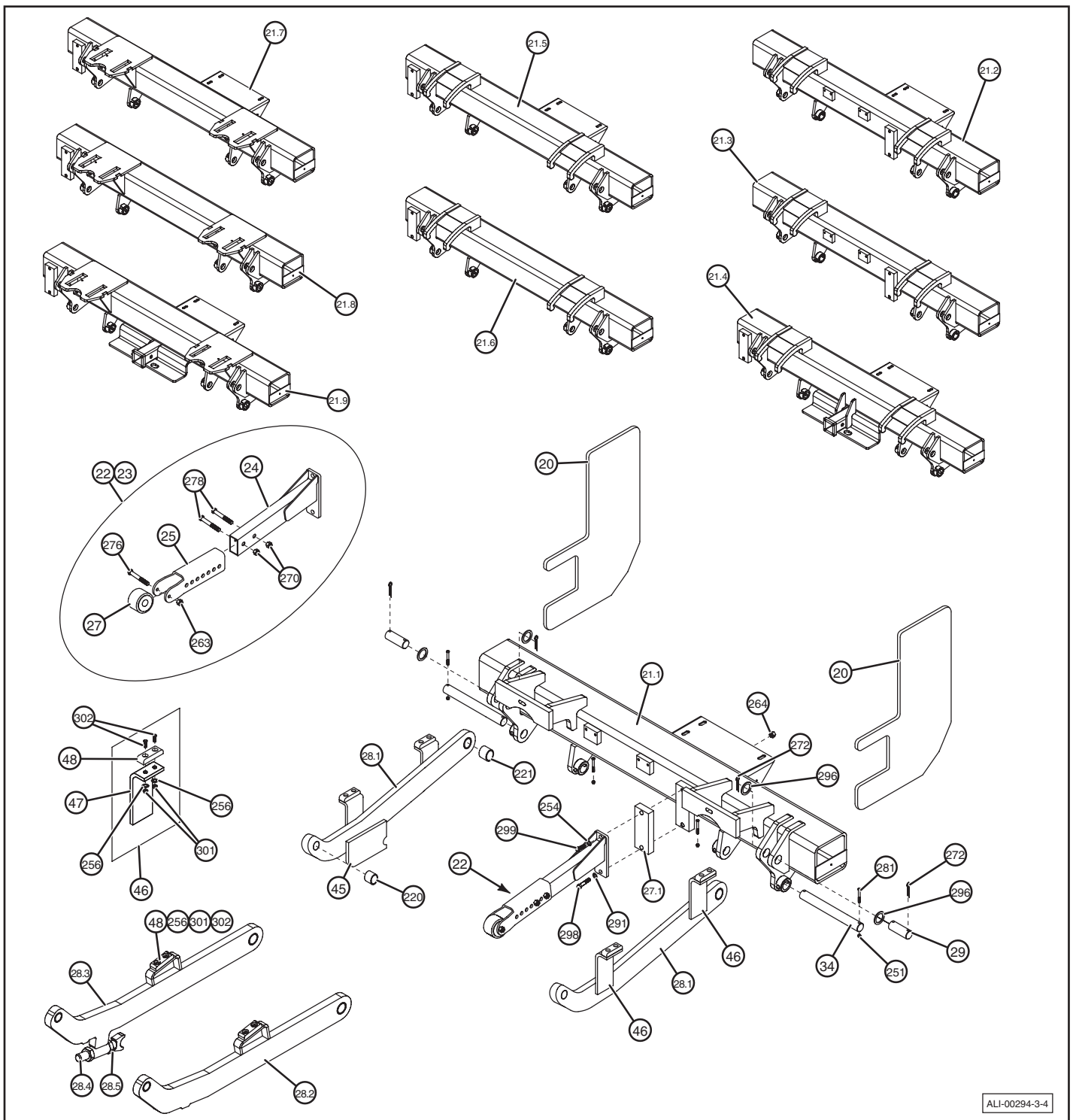
Item	Part Number	Description	Qty.
59	ATU-586	PUMP BOX-COMplete	1
60	ATU-531	PUMP BOX ENCLOSURE	1
61	ATU-533 A-140144	PUMP BOX COVER (AFTER 2-1-13) PUMP BOX COVER "STEPPED" (BEFORE 2-1-13)	1
62	A-132029	5/16-18 X .75" THUMBSCREW, PLATED	2
63	ATU-137	RUBBER GROMMET	4
64	A-130166 A-130214	MTU POWER PACK UNIT (COMPLETE, 3000LB CAPACITY) MTU POWER PACK UNIT (COMPLETE, 4000-6000LB CAPACITY)	1
65	ATU-637	SPACER (UNDER PUMP) (NOT SHOWN)	1
71.1	A-130212	HYDRAULIC HOSE ASSY (T-BLOCK TO POWER PACK UNIT, "DOWN", 14")	1
71.2	A-140380	HYDRAULIC HOSE ASSY (POWER PACK TO TRAY, "DOWN", 24")	1
72.1	A-130213	HYDRAULIC HOSE ASSY (T-BLOCK TO POWER PACK UNIT, "UP", 22")	1
72.2	A-130381	HYDRAULIC HOSE ASSY (POWER PACK TO TRAY, "UP", 35")	1
77	A-130140	FITTING: 90DEG ADAPTER (MALE SAE#6 TO MALE JIC#6)	2
78	A-130142	FITTING: 90DEG ELBOW (MALE JIC#6 TO FEMALE JIC#6)	2
250	25	3/8-16 X 1.5" HEX BOLT	2
253	874	3/8-16 X 1" HEX BOLT	1
257	2054	3/8" LOCKWASHER	3
258	2058	3/8" FLAT WASHER	4
267	A-132011	3/8" EXTERNAL STAR WASHER	2
275	A-132038	3/8-16 FLANGE NUT, WHIZ-LOCK	1
405	A-150635	RESERVOIR (INCLUDES FILLER/VENT CAP)	1

4. Hydraulic Power Pack



Item	Part Number	Description	Qty.
64	A-130166	MTU POWER PACK UNIT (COMPLETE, 3000LB CAPACITY)	1
	A-130214	MTU POWER PACK UNIT (COMPLETE, 4000-6000LB CAPACITY)	
400	A-176315	COIL ONLY, 12VDC	1
401	A-130216	VALVE/12VDC COIL/CARTRIDGE COMBINATION (LOWER, SINGLE O-RING, GREEN WIRE)	1
402	A-130215	VALVE/12VDC COIL/CARTRIDGE COMBINATION (RAISE, TRIPLE O-RING, RED WIRE)	1
403	ATU-120	SOLENOID RELAY, 12VDC MOTOR RUN	1
404	A-150018	MOTOR, 12VDC, NO THERMAL SWITCH	1
405	A-150635	RESERVOIR (INCLUDES FILLER/VENT CAP)	1
406	A-150546	FILLER/VENT CAP	1
407	ATU-565	RESERVOIR ATTACHMENT CLAMP	1
408	A-150019	RESERVOIR ATTACHMENT O-RING	1
409	A-150015	FILTER NIPPLE	1
410	A-150016	FILTER SCREEN	1

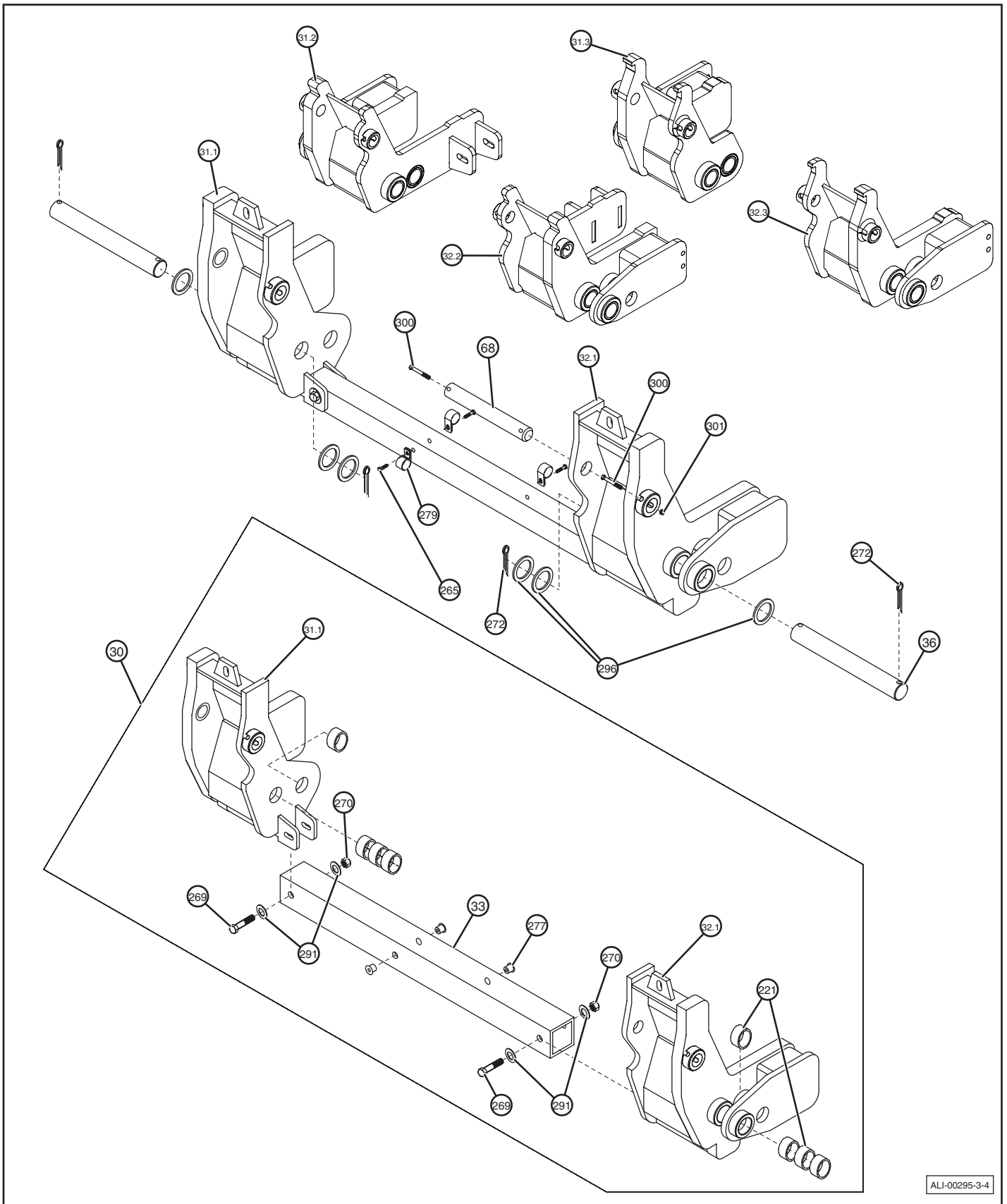
5. Frame Mounting Assembly



Item	Part Number	Description	Qty.
20	A-140022	MOUNTING PLATE	2
	A-140022-G	MOUNTING PLATE	
21.1	A-140150	ADAPTER FRAME WELDMNT	1
	A-140150-G	ADAPTER FRAME WELDMNT	
21.2	A-140368	ADAPTER FRAME WELDMNT (INBOARD WHEEL ARM) (IMP. GRND CLRNC-GEN2)	
	A-140368-G	ADAPTER FRAME WELDMNT (INBOARD WHEEL ARM) (IMP. GRND CLRNC-GEN2)	
21.3	A-140801	ADAPTER FRAME WELDMNT-LESS PUMP BOX (INBOARD WHEEL ARM) (IMP. GRND CLRNC-GEN2)	
	A-140801-G	ADAPTER FRAME WELDMNT-LESS PUMP BOX (INBOARD WHEEL ARM) (IMP. GRND CLRNC-GEN2)	

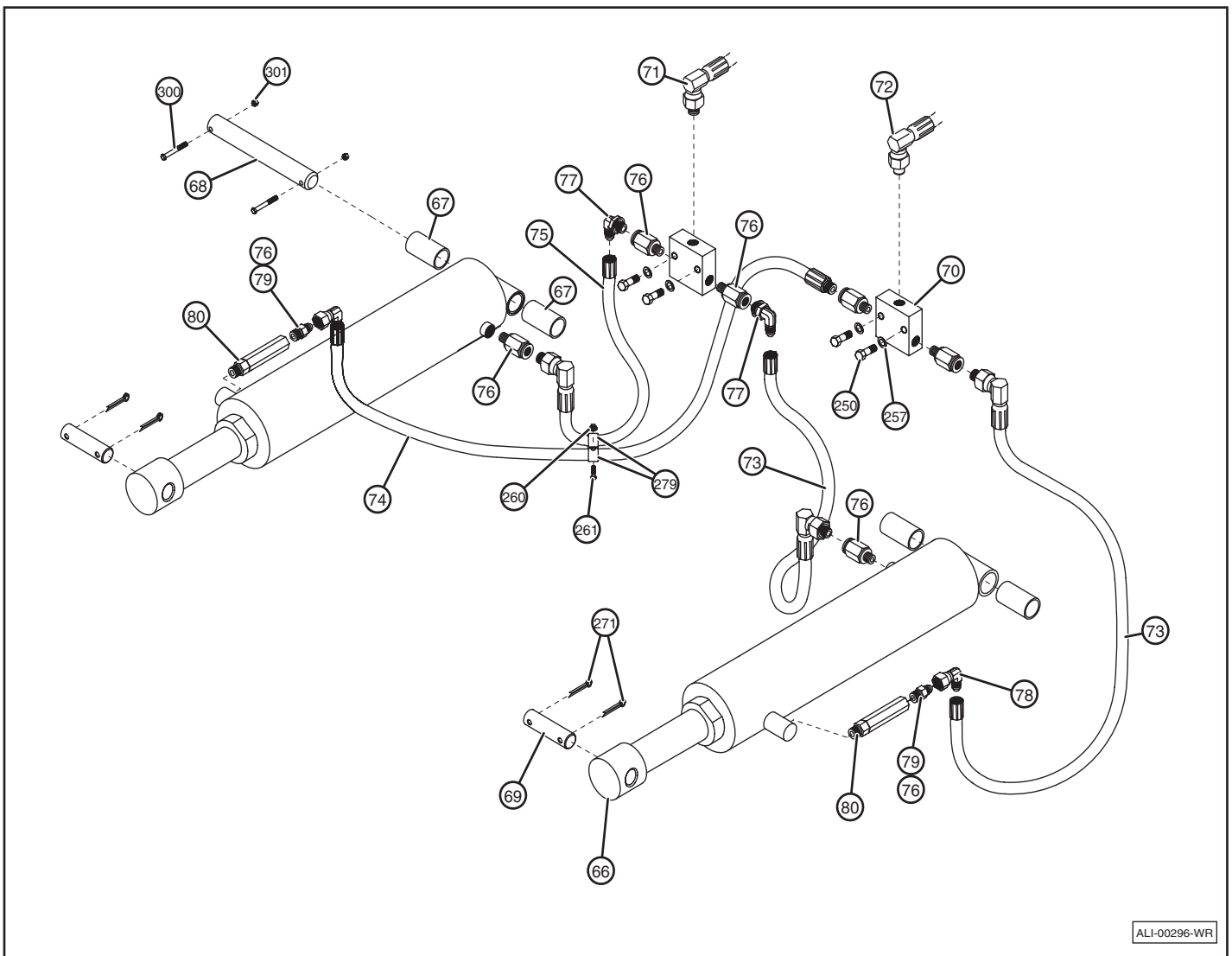
Item	Part Number	Description	Qty.
21.4	A-140875	ADAPTER FRAME WELDMNET WITH HITCH (GEN2)	1
21.5	A-140840	ADAPTER FRAME WELDMNET (OUTBOARD WHEEL ARM, HOSE TRAY-GEN2)	
	A-140840-G	ADAPTER FRAME WELDMNET (OUTBOARD WHEEL ARM, HOSE TRAY-GEN2)	
21.6	A-140841	ADAPTER FRAME WELDMNET-LESS PUMP BOX (OUTBOARD WHEEL ARM, HOSE TRAY-GEN2)	
	A-140841-G	ADAPTER FRAME WELDMNET-LESS PUMP BOX (OUTBOARD WHEEL ARM, HOSE TRAY-GEN2)	
21.7	A-140868	ADAPTER FRAME WELDMNET (FLAT ROCKER STOP-GEN3)	
	A-14868-G	ADAPTER FRAME WELDMNET (FLAT ROCKER STOP-GEN3)	
21.8	A-140869	ADAPTER FRAME WELDMNET-LESS PUMP BOX (FLAT ROCKER STOP-GEN3)	
	A-140869-G	ADAPTER FRAME WELDMNET-LESS PUMP BOX (FLAT ROCKER STOP-GEN3)	
21.9	A-140910	ADAPTER FRAME WELDMNET WITH HITCH (GEN3)	
22	ATU-881	WHEEL ARM ASSY (ARM W/M, CHANNEL, WHEEL)	1
	ATU-881-G	WHEEL ARM ASSY (ARM W/M, CHANNEL, WHEEL)	
23	ATU-888	WHEEL ARM ASSY (ARM W/M, CHANNEL, NO WHEEL)	
24	ATU-882	WHEEL ARM BASE WELDMNET	1
	ATU-882-G	WHEEL ARM BASE WELDMNET	
25	ATU-886	WHEEL ARM CHANNEL	1
	ATU-886-G	WHEEL ARM CHANNEL	
27	ATU-123	WHEEL ARM WHEEL (INCL. NUT AND BOLT; A-132039 & 2184)	1
27.1	A-140096	WHEEL ARM SPACER BLOCK (OBS 10/13)	1
28.1	A-140217	RADIUS ARM ASSY (INCL. BUSHINGS)	2
	A-140217-G	RADIUS ARM ASSY (INCL. BUSHINGS)	2
28.2	A-140947	RADIUS ARM ASSY RH W/PLATFORM STOP	1
28.3	A-140946	RADIUS ARM ASSY LH W/GATE LATCH & PLATFORM STOP	1
28.4	A-140891	LATCH PIN	1
28.5	A-132337	1"-8 JAM NUT	2
29	A-140046	PIN: RADIUS ARM TO ADAPTER FRAME (DIAM.: 1.25", 3.5" LONG)	2
34	A-140175	PIN: ROCKER TO ADAPTER FRAME (DIAM: 1.25", 11.875" LONG)	2
45	ATU-558	LATCH LOCKING PLATE (SHIPPED LOOSE, WELDED ON BY INSTALLER) (not applicable w/ 28.2 & 28.3)	1
	ATU-558-G	LATCH LOCKING PLATE (SHIPPED LOOSE, WELDED ON BY INSTALLER)	
46	A-140319	PLATFORM SUPPORT BRACKET ASSY (SHIP LOOSE, WELD AT INSTALL) (not applicable w/ 28.2 & 28.3)	4
	A-140319-G	PLATFORM SUPPORT BRACKET ASSY (SHIPPED LOOSE, WELDED ON BY INSTALLER)	
47	A-140086	PLATFORM SUPPORT BRACKET (not applicable w/ 28.2 & 28.3)	4
	A-140086-G	PLATFORM SUPPORT BRACKET	
48	A-140090	BUMPER PAD	2-4
220	ATU-426	COMPOSITE BUSHING, 1" ID X 1.25" OD X 1" LONG	2
221	ATU-428	COMPOSITE BUSHING, 1.25" ID X 1.5" OD X 1" LONG	2
251	862	5/16-18 LOCKNUT	4
254	1691	1/2" LOCKWASHER	1
256	2051	1/4" FLAT WASHER	8
263	2184	3/8-24 LOCKNUT	1
264	3139	1/2-13 NUT	1
270	A-132024	1/2-13 LOCKNUT	2
272	A-132027	COTTER PIN: 1/4" DIAM X 2" LONG, STAINLESS STEEL	4
276	A-132039	3/8-24 X 3" GRADE 8 BOLT	1
278	A-132112	1/2-13 X 2.5" GRADE 8 BOLT	2
281	A-132132	5/16-18 X 2.5" HEX BOLT	4
291	A-150065	1/2" FLAT WASHER	1
296	ATU-134	RING WASHER: 1.25" ID X 1.875" OD X .125" THICK	4
298	ATU-259	1/2-13 X 2" GRADE 8 BOLT	1
299	ATU-260	1/2-13 X 1.25" GRADE 8 BOLT	1
301	ATU-359	1/4-20 LOCKNUT	8
302	S-047004	1/4-20 X 1" SLOTTED ROUND HEAD BOLT	8

6. Rocker Assembly



Item	Part Number	Description	Qty.
30	A-140162	GLR ROCKER ASSY (UP TO 4000LB) GEN1	1
	A-140272	GLR ROCKER ASSY (UP TO 4000LB) - IMP. GRND CLRNCE GEN2	
	A-140272-G	GLR ROCKER ASSY (UP TO 4000LB) - IMP. GRND CLRNCE GEN2	
31.1	A-140234	LH ROCKER WITH BUSHINGS - GEN1	1
	A-140234-G	LH ROCKER WITH BUSHINGS - GEN1	
31.2	A-140274	LH ROCKER WITH BUSHINGS - IMP. GRND CLRNCE-GEN2	
	A-140274-G	LH ROCKER WITH BUSHINGS - IMP. GRND CLRNCE-GEN2	
31.3	A-140874	LH ROCKER WITH BUSHINGS - FLAT TOP STOP-GEN3	
	A-140874-G	LH ROCKER WITH BUSHINGS - FLAT TOP STOP-GEN3	
32.1	A-140235	RH ROCKER WITH BUSHINGS - GEN1	1
	A-140235-G	RH ROCKER WITH BUSHINGS - GEN1	
32.2	A-140273	RH ROCKER WITH BUSHINGS - IMP. GRND CLRNCE-GEN2	
	A-140273-G	RH ROCKER WITH BUSHINGS - IMP. GRND CLRNCE-GEN2	
32.3	A-140873	RH ROCKER WITH BUSHINGS - FLAT TOP STOP-GEN3	
	A-140873-G	RH ROCKER WITH BUSHINGS - FLAT TOP STOP-GEN3	
33	A-140702	TORSION STRUT - GEN1	1
	A-140702-G	TORSION STRUT - GEN1	
	A-140284	TORSION STRUT - IMP. GRND CLRNCE - GEN2	
	A-140284-G	TORSION STRUT - IMP. GRND CLRNCE - GEN2	
	—	NOTE: TORSION STRUT NOT USED ON GEN3	
36	A-140176	PIN: ROCKER TO LIFTFRAME (DIAM: 1.25", 11.875" LONG)	2
68	A-140174	PIN: CYLINDER UPPER (DIAM: 1", 8.125" LONG) GEN1 & GEN2	2
	A-140864	PIN: CYLINDER UPPER (DIAM: 1", 8.375" LONG) GEN3	
221	ATU-428	COMPOSITE BUSHING, 1.25" ID X 1.5" OD X 1" LONG	8
265	6608	5/16-18 X 1" HEX BOLT	3
269	A-132019	1/2-13 X 4" BOLT	2
270	A-132024	1/2-13 LOCKNUT	2
272	A-132027	COTTER PIN: 1/4" DIAM X 2" LONG, STAINLESS STEEL	4
277	A-132099	5/16-18 THREADED INSERT	3
279	A-132115	HYDRAULIC HOSE CLAMP, 5/8" STEEL/VINYL COATED	3
291	A-150065	1/2" FLAT WASHER	4
296	ATU-134	RING WASHER: 1.25" ID X 1.875" OD X .125" THICK	6
300	ATU-358	1/4-20 X 2" GRADE 8 BOLT	4
301	ATU-359	1/4-20 LOCKNUT	4

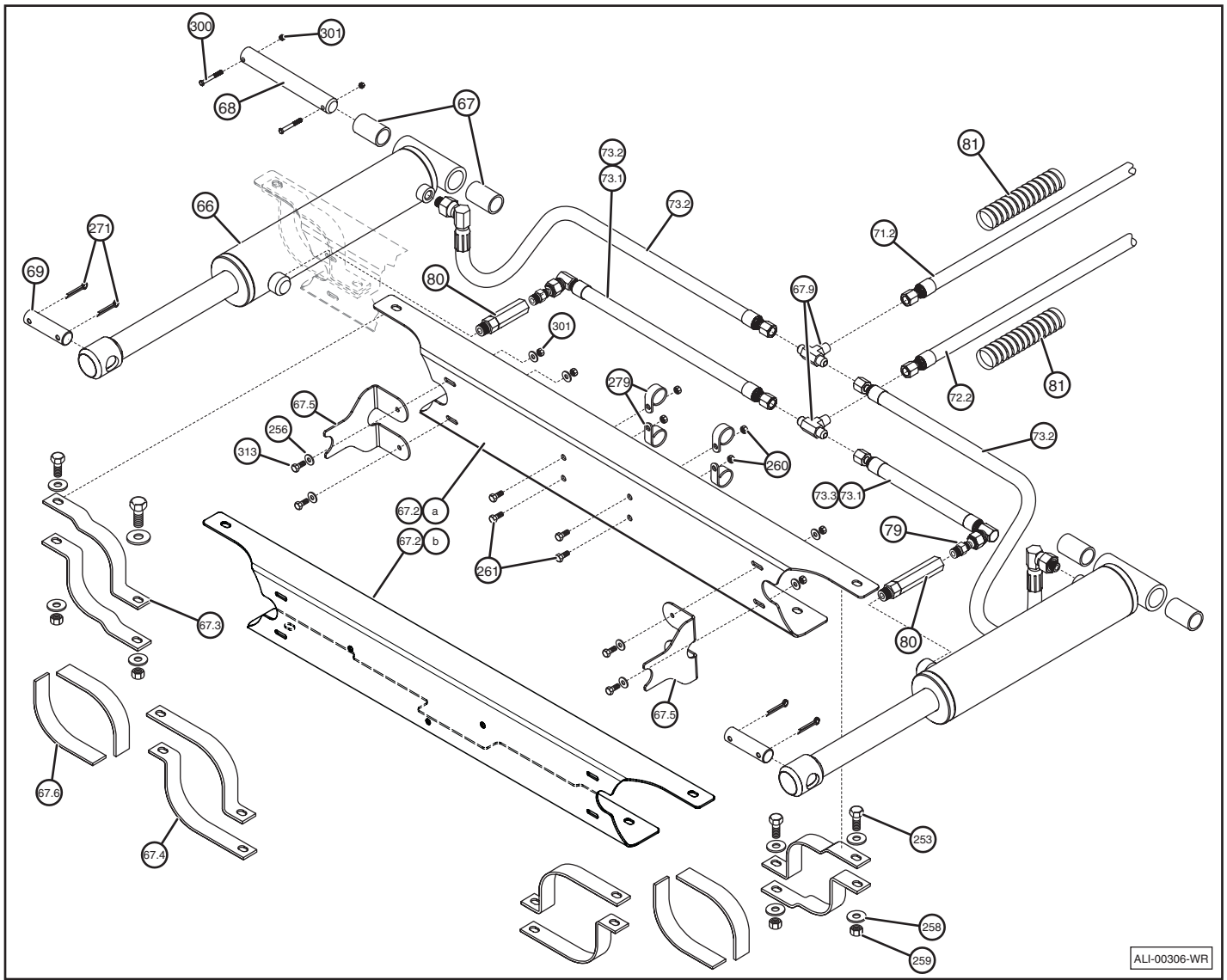
7. Hydraulic Cylinders



Item	Part Number	Description	Qty.
66	A-130113	HYDRAULIC CYLINDER ASSY 3000LB CAPACITY, INCL. BUSHINGS	2
	A-130114	HYDRAULIC CYLINDER ASSY 4000-6000LB CAPACITY, INCL. BUSHINGS	
67	ATU-427	COMPOSITE BUSHING, 1" ID X 1.25" OD X 2" LONG	4
68	A-140174	PIN: CYLINDER UPPER (DIAM: 1", 8.125" LONG) GEN1 & 2	2
	A-140864	PIN: CYLINDER UPPER (DIAM: 1", 8.375" LONG) GEN3	
69	ATU-103	PIN: CYLINDER LOWER (DIAM: 1", 4.625" LONG)	2
70	A-130030	T-FITTING BLOCK	2
71	A-130212	HYDRAULIC HOSE ASSY (T-BLOCK TO POWER PACK UNIT, "DOWN", 14")	1
72	A-130213	HYDRAULIC HOSE ASSY (T-BLOCK TO POWER PACK UNIT, "UP", 22")	1
73	A-130210	HYDRAULIC HOSE ASSY (T-BLOCK(S), RH PORTS TO CYLINDER, CURBSIDE, 40") (JIC)	2
	A-130210-W	HYDRAULIC HOSE ASSY (T-BLOCK(S), RH PORTS TO CYLINDER, CURBSIDE, 40") (WEO)	
74	A-130131	HYDRAULIC HOSE ASSY (T-BLOCK TO CYLINDER, "UP", STREETSIDE, 30") (JIC)	1
	A-130131-W	HYDRAULIC HOSE ASSY (T-BLOCK TO CYLINDER, "UP", STREETSIDE, 30") (WEO)	
75	A-130211	HYDRAULIC HOSE ASSY (T-BLOCK TO CYLINDER, "DOWN", STREETSIDE, 19") (JIC)	1
	A-130211-W	HYDRAULIC HOSE ASSY (T-BLOCK TO CYLINDER, "DOWN", STREETSIDE, 19") (WEO)	
76	A-130335	WEO FITTINGS	8
77	A-130140	FITTING: 90DEG ADAPTER (MALE SAE#6 TO MALE JIC#6) (NON-WEO VERSIONS)	2
78	A-130142	FITTING: 90DEG ELBOW (GEN1)	2

Item	Part Number	Description	Qty.
79	A-130198	FITTING: STRAIGHT ADAPTER (MALE SAE#6 TO MALE JIC#6) (NON-WEO VERSIONS)	2
80	A-130104	RESTRICTOR VALVE (1.0 GPM, 3000LB CAPACITY)	2
	A-130101	RESTRICTOR VALVE (2.25 GPM, 4000-6000LB CAPACITY)	
	A-130100	RESTRICTOR VALVE (1.5 GPM, 4000-6000LB CAPACITY) (replaced by A-130101)	
250	25	3/8-16 X 1.5" HEX BOLT	4
257	2054	3/8" LOCKWASHER	4
260	2114	5/16-18 FLANGE NUT, WHIZ-LOCK	1
261	2145	5/16-18 X .75" FLANGE BOLT	1
271	A-132026	COTTER PIN: 1/4" DIAM X 1.5" LONG, STAINLESS STEEL	4
279	A-132115	HYDRAULIC HOSE CLAMP, 5/8" STEEL/VINYL COATED	2
300	ATU-358	1/4-20 X 2" GRADE 8 BOLT	4
301	ATU-359	1/4-20 LOCKNUT	4

7. Hydraulic Cylinders (continued)

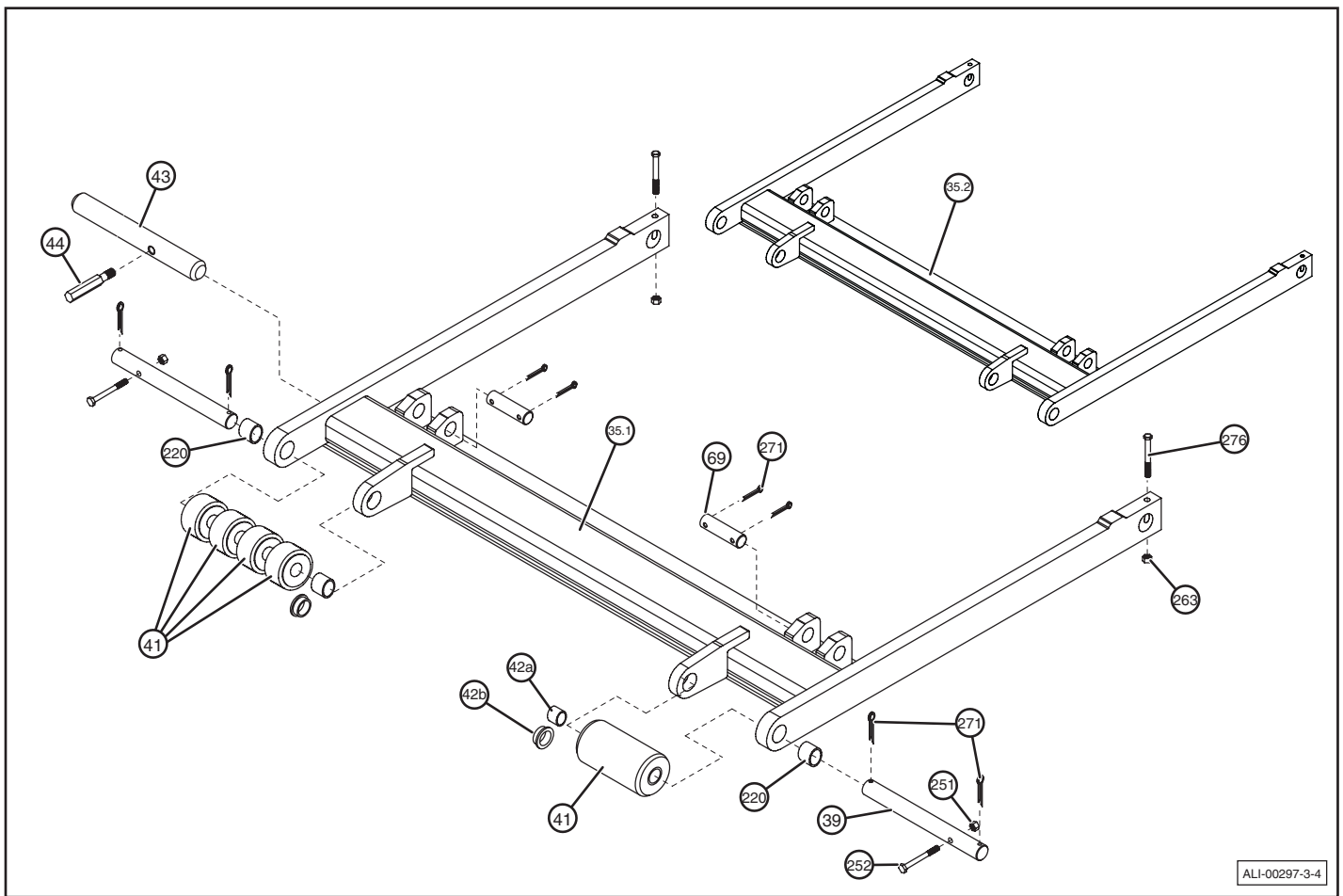


ALI-00306-WR

Item	Part Number	Description	Qty.
66	A-130113	HYDRAULIC CYLINDER ASSY 3000LB CAPACITY, INCL. BUSHINGS	2
	A-130114	HYDRAULIC CYLINDER ASSY 4000-6000LB CAPACITY, INCL. BUSHINGS	
67	ATU-427	COMPOSITE BUSHING, 1" ID X 1.25" OD X 2" LONG	4
67.2a	A-140835	HOSE TRAY	1
	A-140835G	HOSE TRAY	
67.2b	A-140886	HOSE TRAY FOR HITCH ADAPTER FRAME (OPTIONAL)	
67.3	A-140833	3" CYLINDER CLAMP	4
67.4	A-140834	4" CYLINDER CLAMP	4
67.5	A-140861	HOSE TRAY SUPPORT	2
67.6	A-132333	RUBBER TAPE W/ADHESIVE 4"	4
67.9	A-130205	TEE FITTING: 06MJ-06MJ-06MJ	2
68	A-140174	PIN: CYLINDER UPPER (DIAM: 1", 8.125" LONG) GEN1&2	2
	A-140864	PIN: CYLINDER UPPER (DIAM: 1", 8.375" LONG) (AFTER JUNE 2017) GEN3	
69	ATU-103	PIN: CYLINDER LOWER (DIAM: 1", 4.625" LONG)	2
71.2	A-140380	HYDRAULIC HOSE ASSY (POWER PACK TO TRAY, "DOWN", 24")	1
72.2	A-130381	HYDRAULIC HOSE ASSY (POWER PACK TO TRAY, "UP", 35")	1

Item	Part Number	Description	Qty.
73.1	A-130382	HYDRAULIC HOSE ASSY (TRAY TO LOWER CYLINDER PORT, 15") (NOT ON HITCH MODELS)	2
73.2	A-130383	HYDRAULIC HOSE ASSY (TRAY TO UPPER CYLINDER PORT, 18") (USE 3 ON HITCH MODELS)	2-3
73.3	A-130391	HYDRAULIC HOSE ASSY (TRAY TO LOWER CYLINDER PORT, 11.5") (HITCH MODELS ONLY)	1
79	A-130198	FITTING: STRAIGHT ADAPTER (MALE SAE#6 TO MALE JIC#6)	2
80	A-130101 A-130104	RESTRICTOR VALVE (2.25 GPM, 4000-6000LB CAPACITY) RESTRICTOR VALVE (1.0 GPM, 3000LB CAPACITY)	2
81	A-130339	HOSE GUARD	2
253	874	3/8-16 X 1" HEX BOLT	4
256	2051	1/4" FLAT WASHER	8
258	2058	3/8" FLAT WASHER	8
259	2064	3/8-16 LOCKNUT	4
260	2114	5/16-18 FLANGE NUT, WHIZ-LOCK	4
261	2145	5/16-18 X .75" FLANGE BOLT	4
271	A-132026	COTTER PIN: 1/4" DIAM X 1.5" LONG, STAINLESS STEEL	4
279	A-132115	HYDRAULIC HOSE CLAMP, 5/8" STEEL/VINYL COATED	4
300	ATU-358	1/4-20 X 2" GRADE 8 BOLT	4
301	ATU-359	1/4-20 LOCKNUT	8
313	A-132035	1/4-20 HEX BOLT	4

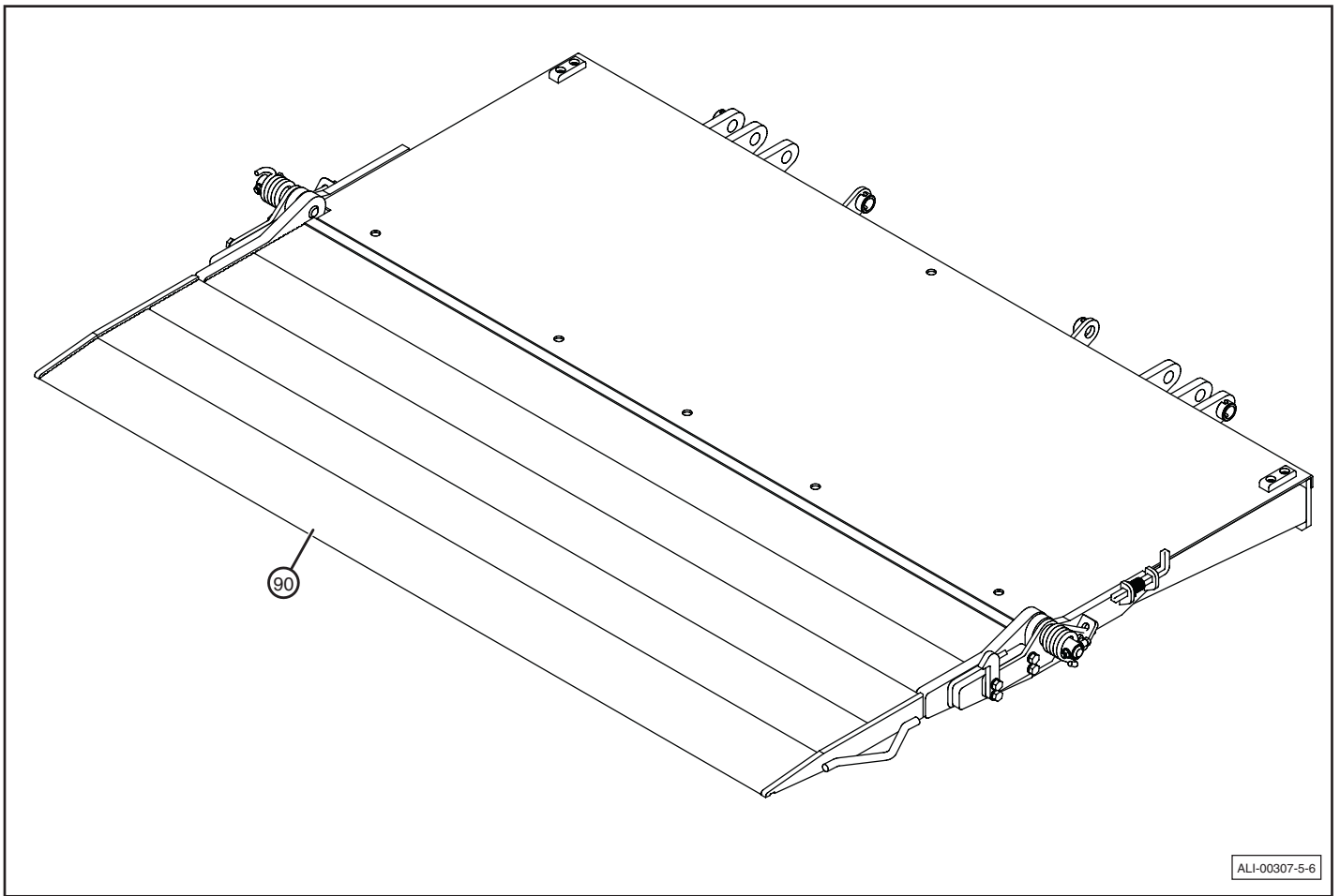
8. Lift Frame



Item	Part Number	Description	Qty.
35.1	A-140126	LIFTFRAME WELDMENT (WITH BUSHINGS)	1
	A-140126-G	LIFTFRAME WELDMENT (WITH BUSHINGS)	
35.1	A-140015	LIFTFRAME WELDMENT (NO BUSHINGS)	
	A-140015-G	LIFTFRAME WELDMENT (NO BUSHINGS)	
35.2	A-140322	LIFTFRAME WELDMENT FOR HIGHER STACKS (NO BUSHINGS)	
39	A-140173	PIN: CAM AND ROLLER TO LIFTFRAME (DIAM: 1", 10.435" LONG)	2
41	A-140225	ROLLER - SHORT (RUBBER INCL. BUSHINGS) (OBSOLETE)	8
	A-140228	ROLLER - LONG (STEEL INCL. BUSHINGS)	2
42a	ATU-429	COMPOSITE BUSHING, 1" ID X 1.25" OD X .75" LONG	2
42b	A-176844	BRONZE BUSHING (REPLACED BY ATU-429) FEB 2017	
43	ATU-556	LATCH PIN	1
44	ATU-557	LATCH HANDLE	1
69	ATU-103	PIN: CYLINDER LOWER (DIAM: 1", 4.625" LONG)	2
220	ATU-426	COMPOSITE BUSHING, 1" ID X 1.25" OD X 1" LONG	2
251	862	5/16-18 LOCKNUT	2
252	869	5/16-18 X 2" HEX BOLT	2
263	2184	3/8-24 LOCKNUT	2
271	A-132026	COTTER PIN: 1/4" DIAM X 1.5" LONG, STAINLESS STEEL	8
276	A-132039	3/8-24 X 3" GRADE 8 BOLT	2

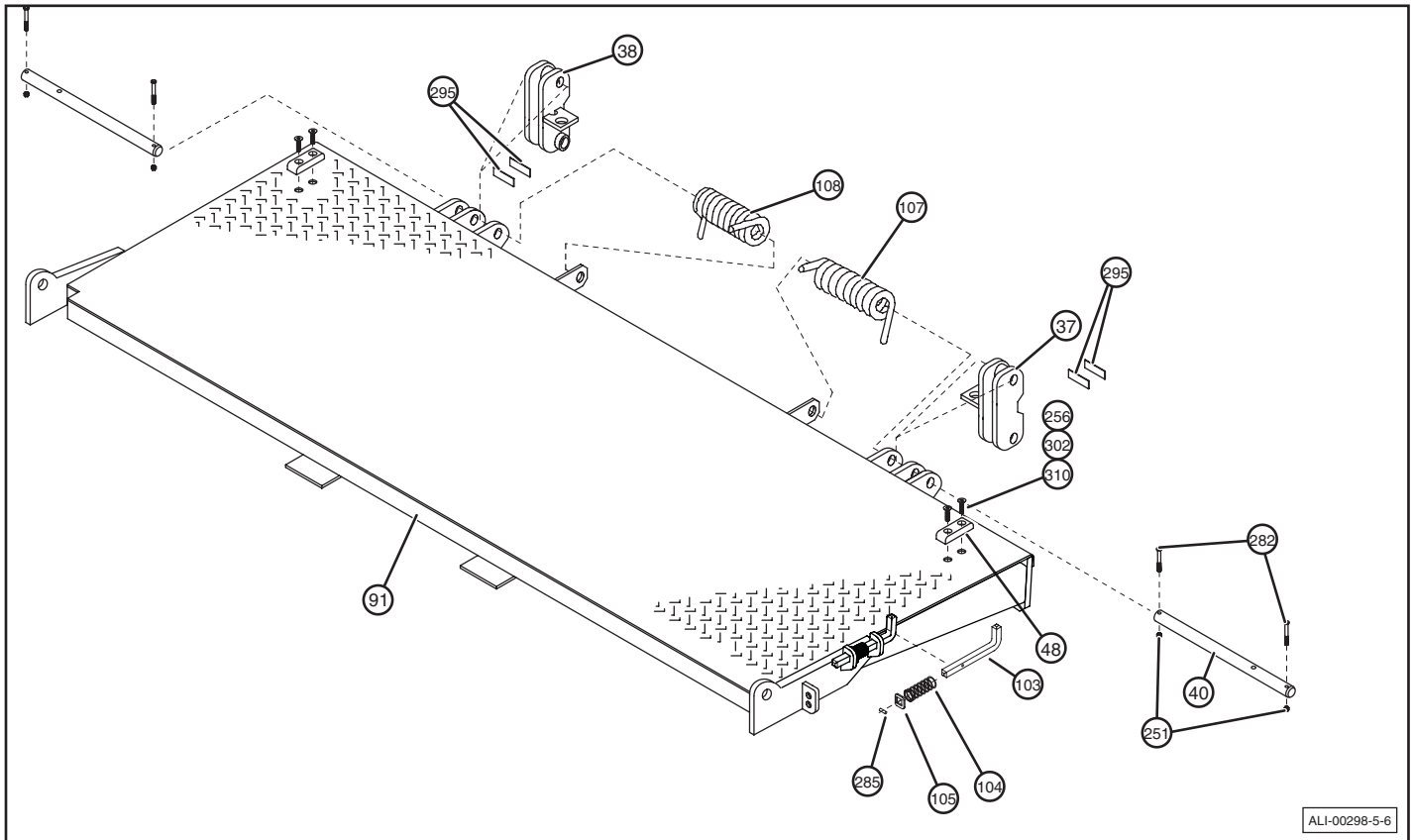
NOTES

9. Platform Assemblies



Item	Part Number	Description	Qty.
		STEEL/ALUMINUM	
	A-140478	PLATFORM ASSY - 80X60 WEDGE NO CARTSTOPS, IN/B WHEEL (STEEL MAIN A-140178 / ALUM FLIP A-140733)	
	A-140478-G	PLATFORM ASSY - 80X60 WEDGE NO CARTSTOPS, IN/B WHEEL (STEEL MAIN A-140178-G / ALUM FLIP A-140733)	
	A-140878	PLATFORM ASSY - 80X60 WEDGE NO CARTSTOPS, O/B WHEEL (STEEL MAIN A-140178 / ALUM FLIP A-140877)	
	A-140878-G	PLATFORM ASSY - 80X60 WEDGE NO CARTSTOPS, O/B WHEEL (STEEL MAIN A-140178-G / ALUM FLIP A-140877)	
	A-140831	PLATFORM ASSY - 80X60 WEDGE LOW PROFILE, NO CARTSTOPS, O/B WHEEL (STEEL MAIN A-140829 / ALUM FLIP A-140467)	
	A-140831-G	PLATFORM ASSY - 80X60 WEDGE LOW PROFILE, NO CARTSTOPS, O/B WHEEL (STEEL MAIN A-140829-G / ALUM FLIP A-140467)	
	A-140192	PLATFORM ASSY - 80X60 WEDGE WITH CARTSTOPS, IN/B WHEEL (STEEL MAIN A-140178 /ALUM FLIP A-140262)	
	A-140192-G	PLATFORM ASSY - 80X60 WEDGE WITH CARTSTOPS, IN/B WHEEL (STEEL MAIN A-140178-G /ALUM FLIP A-140262)	
	A-140370	PLATFORM ASSY - 84X60 WEDGE WITH CARTSTOPS, IN/B WHEEL (STEEL MAIN A-140371/ALUM FLIP A-140378)	
	A-140370-G	PLATFORM ASSY - 84X60 WEDGE WITH CARTSTOPS, IN/B WHEEL (STEEL MAIN A-140371-G/ALUM FLIP A-140378)	
	A-140830	PLATFORM ASSY - 80X60 WEDGE LOW PROFILE, WITH CARTSTOPS, O/B WHEEL (STEEL MAIN A-140829 / ALUM FLIP A-140357)	
	A-140830-G	PLATFORM ASSY - 80X60 WEDGE LOW PROFILE, WITH CARTSTOPS, O/B WHEEL (STEEL MAIN A-140829-G / ALUM FLIP A-140357)	
	A-140505	PLATFORM ASSY - 84X60 WEDGE LOW PROFILE, NO CARTSTOPS, O/B WHEEL (STEEL MAIN A-140506 / ALUM FLIP A-140500)	
90	A-140505-G	PLATFORM ASSY - 84X60 WEDGE LOW PROFILE, NO CARTSTOPS, O/B WHEEL (STEEL MAIN A-140506-G / ALUM FLIP A-140500)	1
	A-140507	PLATFORM ASSY - 84X60 WEDGE LOW PROFILE, WITH CARTSTOPS, O/B WHEEL (STEEL MAIN A-140506 / ALUM FLIP A-140504)	
	A-140507-G	PLATFORM ASSY - 84X60 WEDGE LOW PROFILE, WITH CARTSTOPS, O/B WHEEL (STEEL MAIN A-140506-G / ALUM FLIP A-140504)	
	A-140472	PLATFORM ASSY - 80X60 WEDGE WITH CARTSTOPS, O/B WHEEL (STEEL MAIN A-140178 /ALUM FLIP A-140471)	
	A-140472-G	PLATFORM ASSY - 80X60 WEDGE WITH CARTSTOPS, O/B WHEEL (STEEL MAIN A-140178-G /ALUM FLIP A-140471)	
		ALL ALUMINUM	
	A-140735	PLATFORM ASSY - 80X60 WEDGE NO CARTSTOPS, IN/B WHEEL (ALL ALUM: A-140301 & A-140733)	
	A-140300	PLATFORM ASSY - 80X60 WEDGE WITH CARTSTOPS, IN/B WHEEL (ALL ALUM: A-140301 & A-140262)	
	SG-1104	PLATFORM ASSY - 96X60 WEDGE WITH CARTSTOPS, IN/B WHEEL (ALL ALUM: SG-1104-01 & SG-1104-02)	
	SG-1104-11	PLATFORM ASSY - 96X60 WEDGE LOW PROFILE, WITH CARTSTOPS, O/B WHEEL (ALL ALUM: SG-1104-12 & SG-1104-13)	
	A-140865	PLATFORM ASSY - 80X60 WEDGE WITH CARTSTOPS, O/B WHEEL (ALL ALUM: A-140301 & A-140470)	
	A-140739	PLATFORM ASSY - 80X60 WEDGE WITH REGULAR AND SIDE CARTSTOPS, IN/B WHEEL (ALL ALUM: A-140738 & A-140737)	
	A-140495	PLATFORM ASSY - 84X60 WEDGE LOW PROFILE, NO CARTSTOPS, O/B WHEEL (ALL ALUM: A-140496 & A-140500)	
	A-140502	PLATFORM ASSY - 84X60 WEDGE LOW PROFILE, WITH CARTSTOPS, O/B WHEEL (ALL ALUM: A-140496 & A-140504)	
	A-140469	PLATFORM ASSY - 80X60 WEDGE LOW PROFILE, NO CARTSTOPS, O/B WHEEL (ALL ALUM: A-140356 & A-140467)	
	A-140359	PLATFORM ASSY - 80X60 WEDGE LOW PROFILE, WITH CARTSTOPS, O/B WHEEL (ALL ALUM: A-140356 & A-140358)	

9.1 Main Platform (steel)

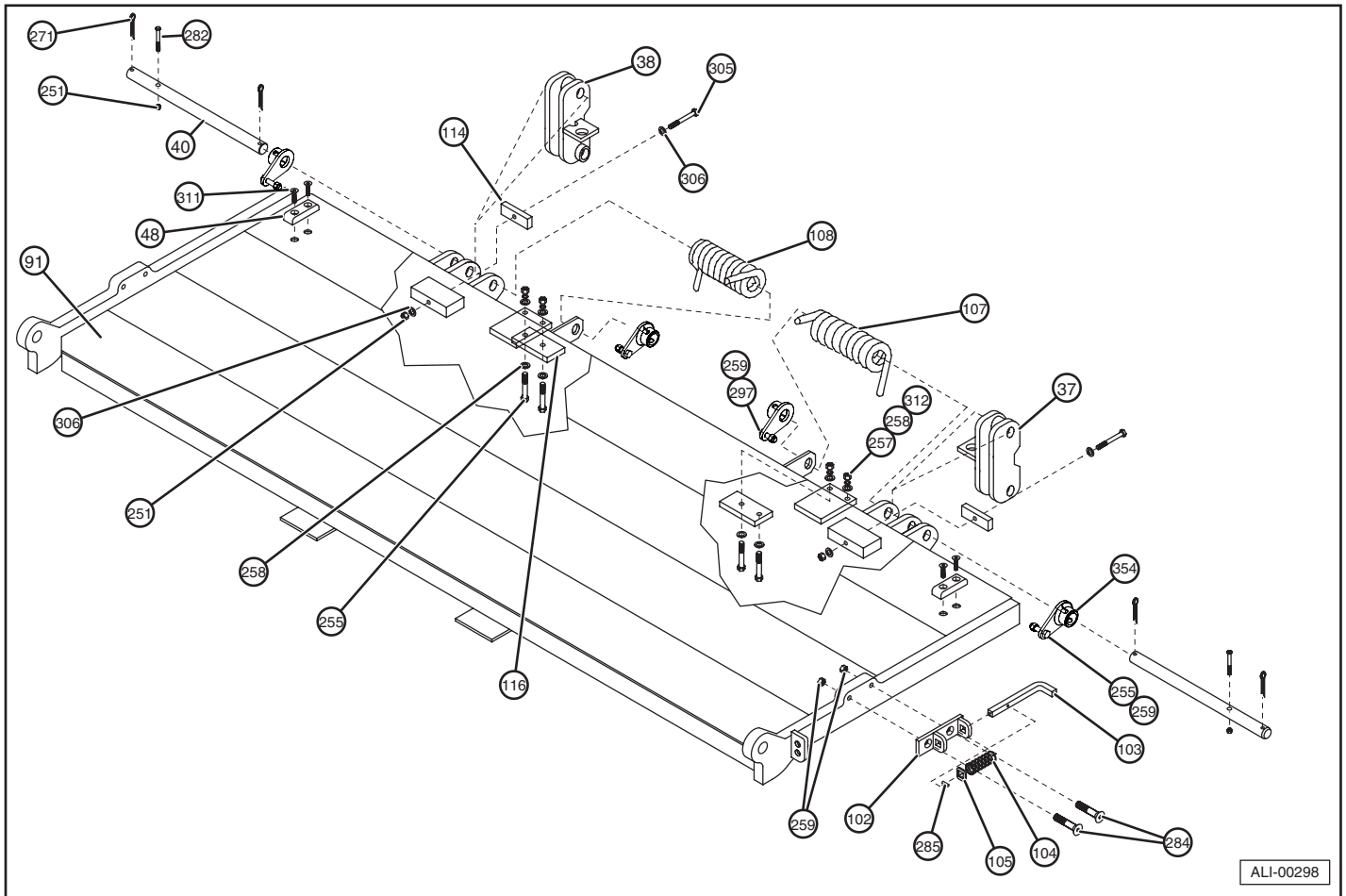


ALI-00298-5-6

Item	Part Number	Description	Qty.
37	A-140196	CAM WELDMENT-CURBSIDE	1
	A-140196-G	CAM WELDMENT-CURBSIDE	
38	A-140195	CAM WELDMENT-STREETSIDE	1
	A-140195-G	CAM WELDMENT-STREETSIDE	
40	A-140023	PIN: STEEL PLATFORM TO LIFTFRAME (DIAM: 1", 15.093" LONG) (with center hole at cam) (replaced by A-140884)	2
	A-140884	PIN: STEEL PLATFORM TO LIFTFRAME (DIAM: 1", 15.093" LONG) (no center hole at cam)	
48	A-140090	BUMPER PAD	2
91	A-140178	MAIN PLATFORM WELDMENT, STEEL	1
	A-140178-G	MAIN PLATFORM WELDMENT, STEEL, GALVANIZED	
	A-140371	MAIN PLATFORM WELDMENT, STEEL, 84" WIDE	
	A-140371-G	MAIN PLATFORM WELDMENT, STEEL, 84" WIDE, GALVANIZED	
	A-140829	MAIN PLATFORM WELDMENT, STEEL, LOW PROFILE	
	A-140829-G	MAIN PLATFORM WELDMENT, STEEL, LOW PROFILE, GALVANIZED	
	A-140506	MAIN PLATFORM WELDMENT, STEEL, LOW PROFILE, 84" WIDE	
A-140506-G	MAIN PLATFORM WELDMENT, STEEL, LOW PROFILE, 84" WIDE, GALVANIZED		
103	ATU-926	LATCHPIN	1
104	ATU-929	SPRING	1
105	ATU-975	SQUARE WASHER	1
107	ATU-518-R	SPRING, STEEL MAIN PLATFORM, CURBSIDE	1
108	ATU-518-L	SPRING, STEEL MAIN PLATFORM, STREETSIDE	1
251	862	5/16-18 LOCKNUT	4
256	2051	1/4" FLAT WASHER	4
282	A-132148	5/16-18 X 2" SOCKET CAP SCREW	4
285	A-132283	3/16 X 1" STAINLESS ROLL PIN	1
295	ATU-071	14GA SHIM FOR LEVELING STEEL PLATFORMS	—

Item	Part Number	Description	Qty.
302	S-047004	1/4-20 X 1" SLOTTED ROUND HEAD BOLT	4
310	2029	1/4-20 FLANGED LOCKNUT	4

9.2 Main Platform (aluminum)

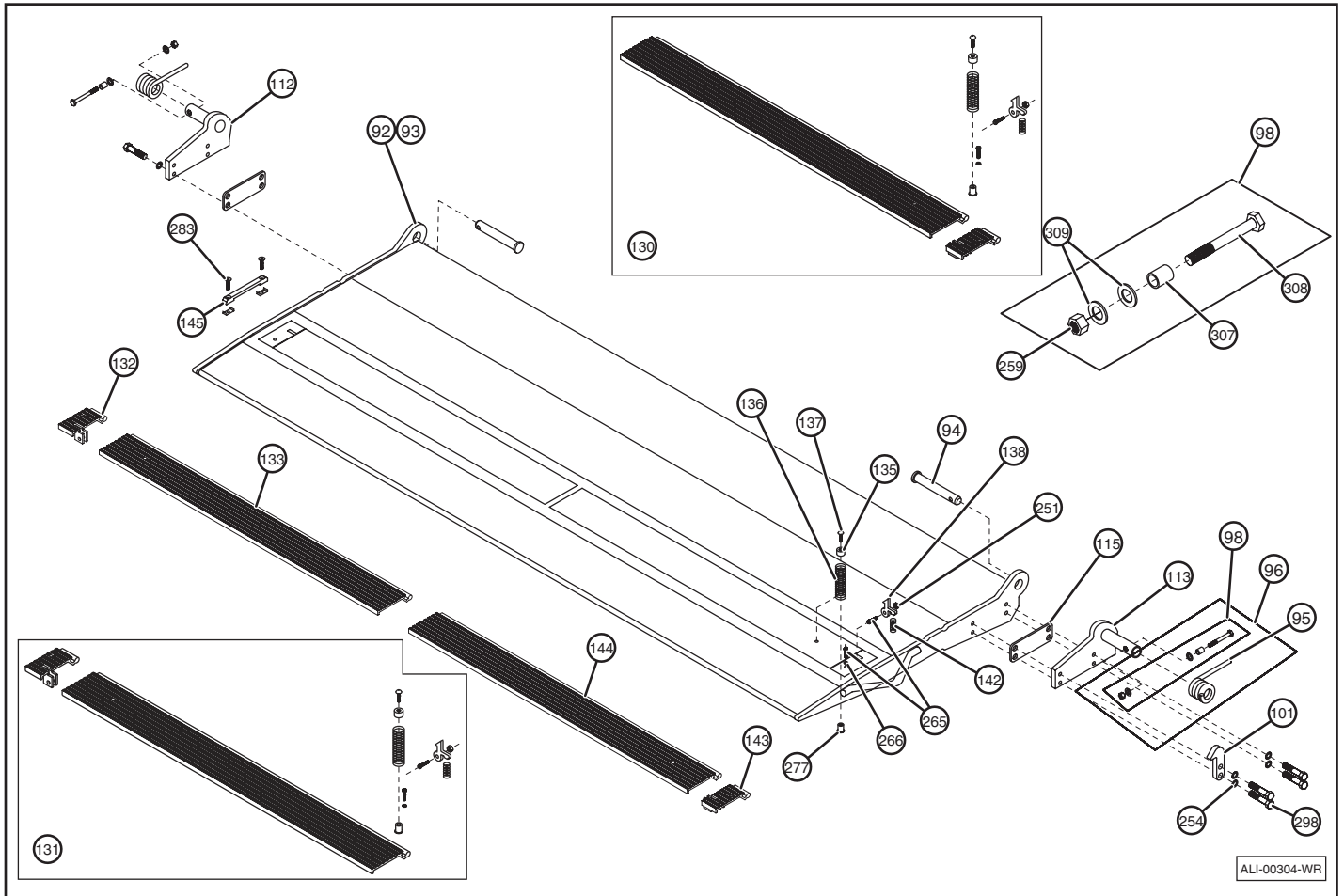


Item	Part Number	Description	Qty.
37	A-140196	CAM WELDMENT-CURBSIDE	1
	A-140196-G	CAM WELDMENT-CURBSIDE	
38	A-140195	CAM WELDMENT-STREETSIDE	1
	A-140195-G	CAM WELDMENT-STREETSIDE	
40	A-140317	PIN: ALUM PLATFORM TO LIFTFRAME (DIAM: 1", 15.813" LONG) (with center hole at cam)	2
	A-140881	PIN: ALUM PLATFORM TO LIFTFRAME (DIAM: 1", 17" LONG) (no center hole at cam) (used with A-140839)	
48	A-140090	BUMPER PAD	2
91	A-140301	MAIN PLATFORM WELDMENT, ALUM	1
	A-140738	MAIN PLATFORM WELDMENT, ALUM, WITH SIDE CARTSTOPS	
	A-140496	MAIN PLATFORM WELDMENT, ALUM, LOW PROFILE, 84" WIDE	
	A-140356	MAIN PLATFORM WELDMENT, ALUM, LOW PROFILE	
102	A-140292	LATCHPLATE WELDMENT	1
103	ATU-926	LATCHPIN	1
104	ATU-929	SPRING	1
105	ATU-975	SQUARE WASHER	1
107	ATU-100-R	SPRING, ALUM MAIN PLATFORM, CURBSIDE	1
108	ATU-518-L	SPRING, ALUM MAIN PLATFORM, STREETSIDE	1
114	A-140302	CAM PLATE	2
116	A-140316	SPRING PLATE	2
251	862	5/16-18 LOCKNUT	4
255	2019	3/8-16 X 1.75" BOLT	6
257	2054	3/8" LOCKWASHER	4
258	2058	3/8" FLAT WASHER	8

Item	Part Number	Description	Qty.
259	2064	3/8-16 LOCKNUT	4
271	A-132026	COTTER PIN: 1/4" DIAM X 1.5" LONG, STAINLESS STEEL	4
282	A-132148	5/16-18 X 2" SOCKET CAP SCREW	2
284	A-132276	3/8-16 X 1.75" FLATHEAD BOLT	2
285	A-132283	3/16 X 1" STAINLESS ROLL PIN	1
297	ATU-247	3/8-16 X 1.25" CAPSCREW	2
305	A-132266	5/16-18 X 3" HEX BOLT GRADE 8	2
306	2110	5/16" FLAT WASHER	4
311	A-150159	1/4-14 X 1 SELF-TAPPING SCREW (ALUMINUM PLATFORMS)	4
312	P-162	3/6-16 HEX NUT	4
354	A-140839	LOBE COLLAR WELDMENT	4

10. Flip-Over Platform

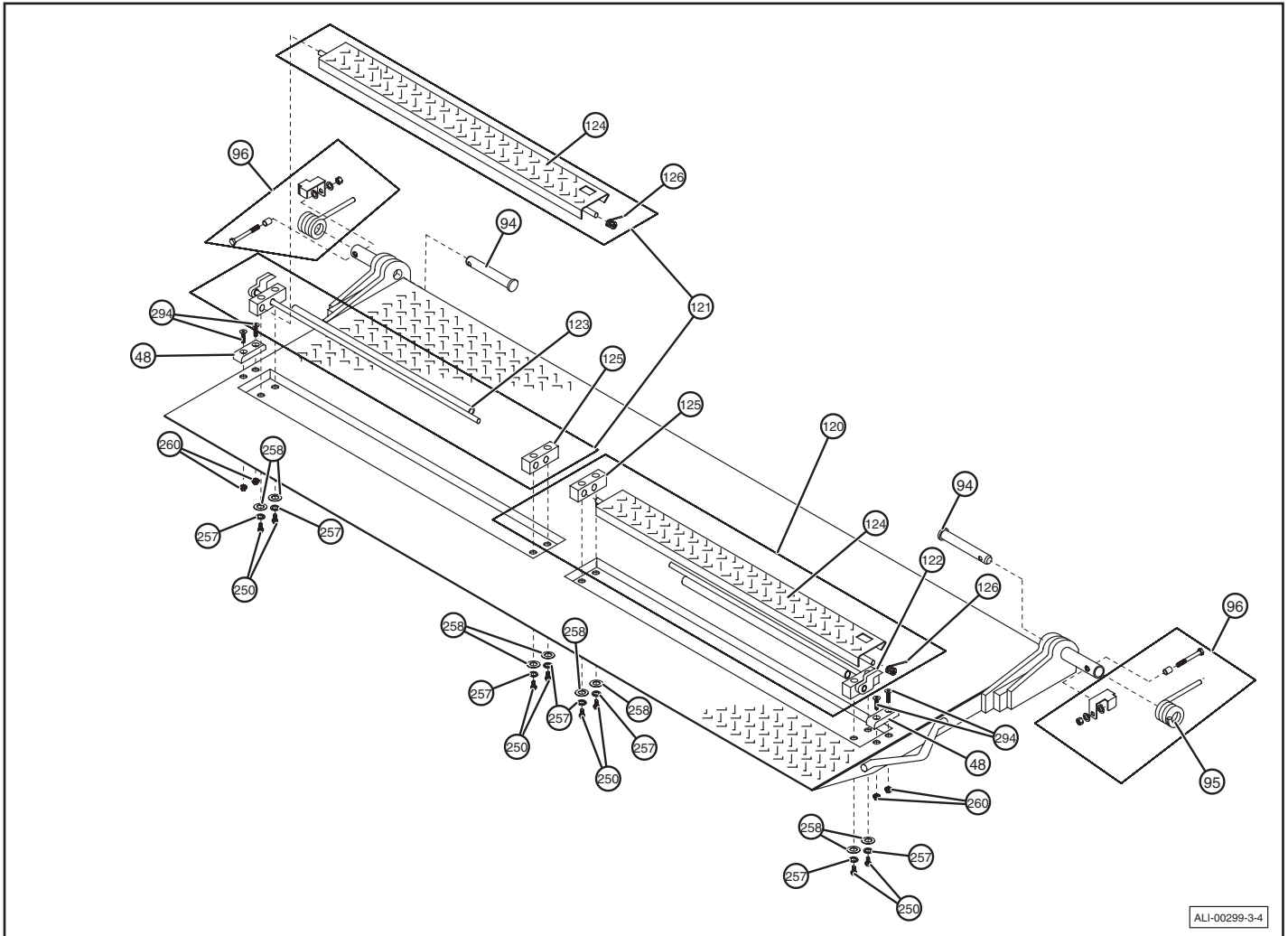
10.1 Flip-Over Platform Aluminum (With Cart Stops)



Item	Part Number	Description	Qty.
92	A-140262	FLIP-OVER PLATFORM ASSY - ALUM, WITH CARTSTOPS, INBOARD WHEEL ARM	1
	A-140378	FLIP-OVER PLATFORM ASSY - ALUM, WITH CARTSTOPS, INBOARD WHEEL ARM, 84" WIDE	
	A-140503	FLIP-OVER PLATFORM ASSY - ALUM, WITH CARTSTOPS, O/B WHEEL, 84" WIDE	
	A-140737	FLIP-OVER PLATFORM ASSY - ALUM, WITH REG&SIDE CARTSTOPS, INBOARD WHEEL ARM	
	A-140358	FLIP-OVER PLATFORM ASSY - ALUM, LOW PROFILE, WITH CARTSTOPS, OUTBOARD WHEEL ARM	
	A-140471	FLIP-OVER PLATFORM ASSY - ALUM, WITH CARTSTOPS, OUTBOARD WHEEL ARM	
93	A-140733	FLIP-OVER PLATFORM WELDMNT - ALUM, NO CARTSTOPS, INBOARD WHEEL ARM	1
	A-140877	FLIP-OVER PLATFORM WELDMNT - ALUM, NO CARTSTOPS, OUTBOARD WHEEL ARM	
	A-140260	FLIP-OVER PLATFORM WELDMNT - ALUM, WITH CARTSTOPS, INBOARD WHEEL ARM	
	A-140379	FLIP-OVER PLATFORM WELDMNT - ALUM, WITH CARTSTOPS, INBOARD WHEEL ARM, 84" WIDE	
	A-140470	FLIP-OVER PLATFORM WELDMNT - ALUM, WITH CARTSTOPS, OUTBOARD WHEEL ARM	
	A-140736	FLIP-OVER PLATFORM WELDMNT - ALUM, WITH REG&SIDE CARTSTOPS, INBOARD WHEEL ARM	
	A-140467	FLIP-OVER PLATFORM WELDMNT - ALUM, LOW PROFILE, NO CARTSTOPS, OUTBOARD WHEEL ARM	
	A-140357	FLIP-OVER PLATFORM WELDMNT - ALUM, LOW PROFILE, WITH CARTSTOPS, OUTBOARD WHEEL ARM	
	A-140500	FLIP-OVER PLATFORM WELDMNT - ALUM, LOW PROFILE, NO CARTSTOPS, O/B WHEEL, 84" WIDE	
A-140504	FLIP-OVER PLATFORM WELDMNT - ALUM, LOW PROFILE, WITH CARTSTOPS, O/B WHEEL, 84" WIDE		
94	ATU-647	PIN: FLIP TO MAIN PLATFORM (DIAM: 1", 5.935" LONG)	2
95	ATU-326-M	SPRING, PLATFORM ASSIST - FLIP TO MAIN	2
96	ATU-1222	SPRING, RETAINER, AND HARDWARE REPLACEMENT KIT	2
98	ATU-944	FASTENER KIT	2

Item	Part Number	Description	Qty.
101	A-140290 A-140366	PLATFORM LATCH-LONGER PLATFORM LATCH-SHORTER	1
112	A-140142 A-140815	PLATFORM HINGE WELDMENT-STREETSIDE PLATFORM HINGE WELDMENT-STREETSIDE (LOW PROFILE)	1
113	A-140143 A-140816	PLATFORM HINGE WELDMENT - CURBSIDE PLATFORM HINGE WELDMENT - CURBSIDE (LOW PROFILE)	1
115	A-140239	HINGE SPACER	2
130	A-140270	CART STOP PARTS GROUP - CURBSIDE (ALUM)	1
131	A-140271	CART STOP PARTS GROUP - STREETSIDE (ALUM)	1
132	A-150909	CARTSTOP BRACKET WELDMENT, STREETSIDE (LH), ALUMINUM	1
133	A-140264 A-140391	CARTSTOP FLIPPER, STREETSIDE (LH), ALUMINUM CARTSTOP FLIPPER FOR 84" WIDE, STREETSIDE (LH), ALUMINUM (NOT IN ANY KIT)	1
135	A-150910	SPRING STEM	2
136	A-150911	COMPRESSION SPRING	2
137	A-132031	5/16-18 X .75" BUTTONHEAD BOLT	2
138	A-150903	LATCH, CARTSTOP	2
142	A-150904	COMPRESSION SPRING	2
143	A-150908	CARTSTOP BRACKET WELDMENT, CURBSIDE (RH), ALUMINUM	1
144	A-140263 A-140390	CARTSTOP FLIPPER, CURBSIDE (RH), ALUMINUM CARTSTOP FLIPPER FOR 84" WIDE, CURBSIDE (RH), ALUMINUM (NOT IN ANY KIT)	1
145	A-140257	CLAMP BAR	1
251	862	5/16-18 LOCKNUT	2
254	1691	1/2" LOCKWASHER	8
259	2064	3/8-16 LOCKNUT	2
265	6608	5/16-18 X 1" HEX BOLT	4
266	6611	5/16 SPLIT LOCKWASHER	2
277	A-132099	5/16-18 THREADED INSERT	4
283	A-132259	1/4-20 X 1" FLATHEAD BOLT	2
298	ATU-259	1/2-13 X 2" GRADE 8 BOLT	8
307	A-132150	SPACER	2
308	A-132146	3/8-24 X 2.5" BOLT	2
309	A-132251	M10 FLAT WASHER	4

10.2 Flip-Over Platform Steel (With Cart Stops)

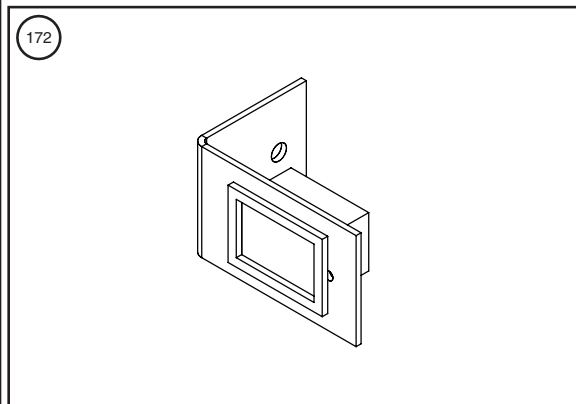
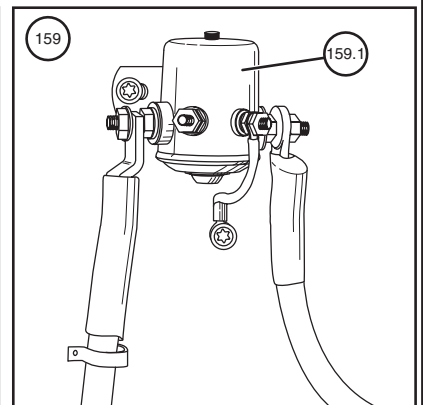
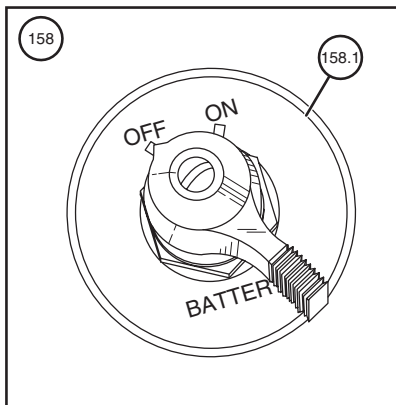
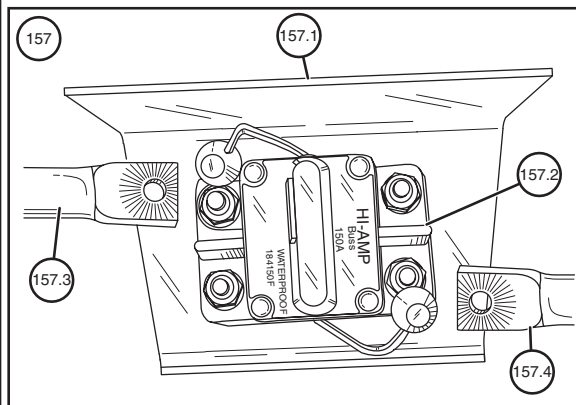
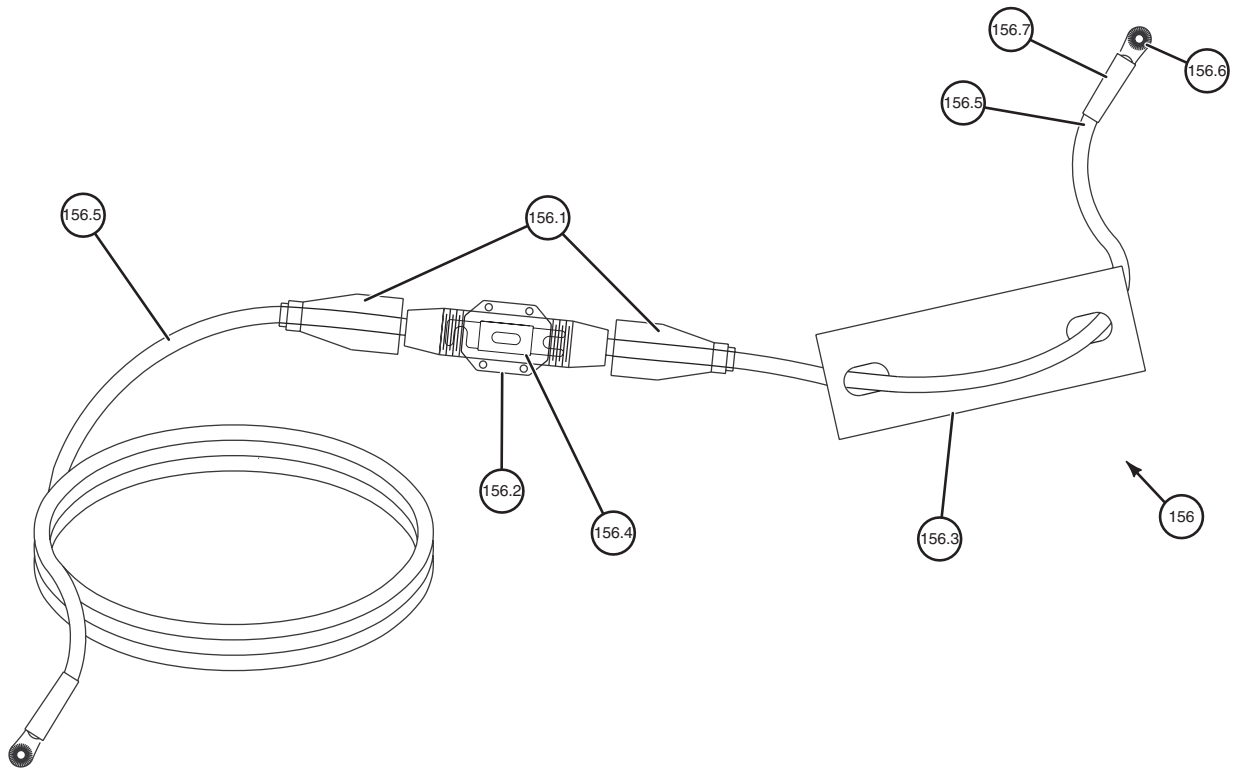


ALI-00299-3-4

Item	Part Number	Description	Qty.
48	A-140090	BUMPER PAD	2
94	ATU-647	PIN: FLIP TO MAIN PLATFORM (DIAM: 1", 5.935" LONG)	2
95	ATU-326-M	SPRING, PLATFORM ASSIST - FLIP TO MAIN	2
96	ATU-1222	SPRING, RETAINER, AND HARDWARE REPLACEMENT KIT	2
98	ATU-944	FASTENER KIT	2
120	A-140079 A-140079-P	CART STOP PARTS GROUP - CURBSIDE (OLD STYLE STEEL PARTS) CART STOP PARTS GROUP - CURBSIDE (OLD STYLE STEEL PARTS)	1
121	A-140035 A-140035-P	CART STOP PARTS GROUP - STREETSIDE (OLD STYLE STEEL PARTS) CART STOP PARTS GROUP - STREETSIDE (OLD STYLE STEEL PARTS)	1
122	A-140081	CART STOP HANDLE WELDMENT, CURBSIDE (OLD STYLE STEEL)	1
123	A-140080	CART STOP HANDLE WELDMENT, STREETSIDE (OLD STYLE STEEL)	1
124	A-140082 A-140082-G A-140082-P	CART STOP CHANNEL WELDMENT (OLD STYLE STEEL) CART STOP CHANNEL WELDMENT (OLD STYLE STEEL) CART STOP CHANNEL WELDMENT (OLD STYLE STEEL)	2
125	A-140037	BLOCK, CART STOP (OLD STYLE STEEL)	2
126	A-140048	SPRING, CART STOP (OLD STYLE STEEL)	2
250	25	3/8-16 X 1.5" HEX BOLT	8
257	2054	3/8" LOCKWASHER	8
258	2058	3/8" FLAT WASHER	8
260	2114	5/16-18 FLANGE NUT, WHIZ-LOCK	4
294	AR-18-66	5/16-18 X 1.25" FLAT HEAD SOCKET SCREW	4

NOTES

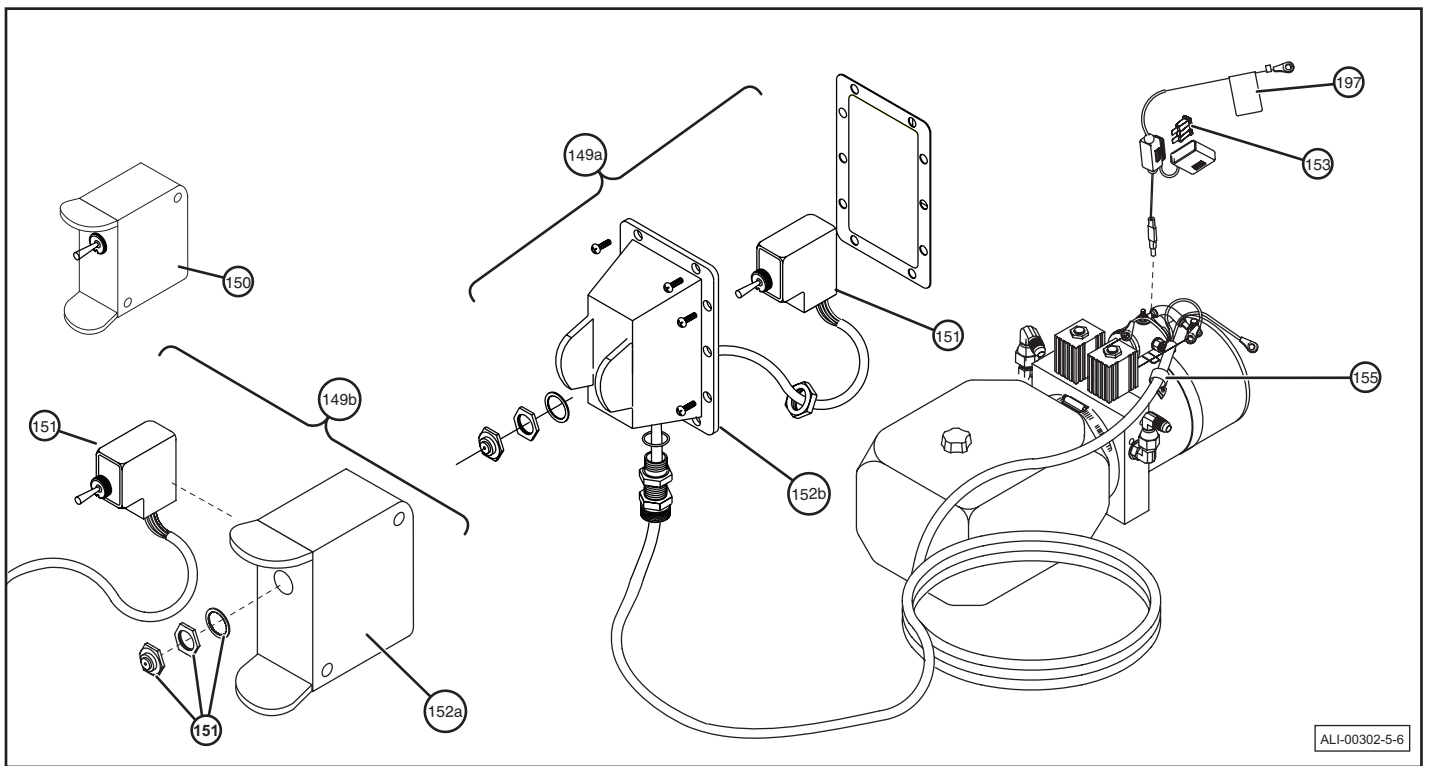
11. Fuse Assembly and Miscellaneous Accessories



ALI-00301-3-4

Item	Part Number	Description	Qty.
156	A-133105	POWER CABLE WITH 200A FUSE ASSY	1
156.1	A-133048	BOOT, WEATHER SEAL, RUBBER	2
156.2	A-133062	FUSE HOLDER, IN-LINE	1
156.3	A-131036	WIRE DECAL: FUSE REPLACEMENT INSTRUCTIONS	1
156.4	A-133063	FUSE, 200A	1
156.5	A-150608	#2 RED POWER CABLE (30" AND 30' PIECES)	1
156.6	A-133003	3/8" ANTI-ROTATIONAL LUG	2
156.7	A-150990	HEAT SHRINK TUBING	2
157	A-133216	150A CIRCUIT BREAKER KIT	1
157.1	A-150500	CIRCUIT BREAKER BRACKET	1
157.2	A-150495	CIRCUIT BREAKER: 150A	1
157.3	A-133310	#2 GROUND CABLE (30")	1
157.4	A-133312	#2 GROUND CABLE (30')	1
158	A-133038	CUT-OFF SWITCH KIT-MANUALLY OPERATING	1
158.1	A-150031	SWITCH, CUT-OFF - MANUALLY OPERATING	1
159	A-133036	SWITCH, CUT-OFF - SOLENOID KIT	1
159.1	A-150263	CUT-OFF SOLENOID	1
172	A-133354	CYCLE COUNTER KIT	1

12. Control Switch Assembly

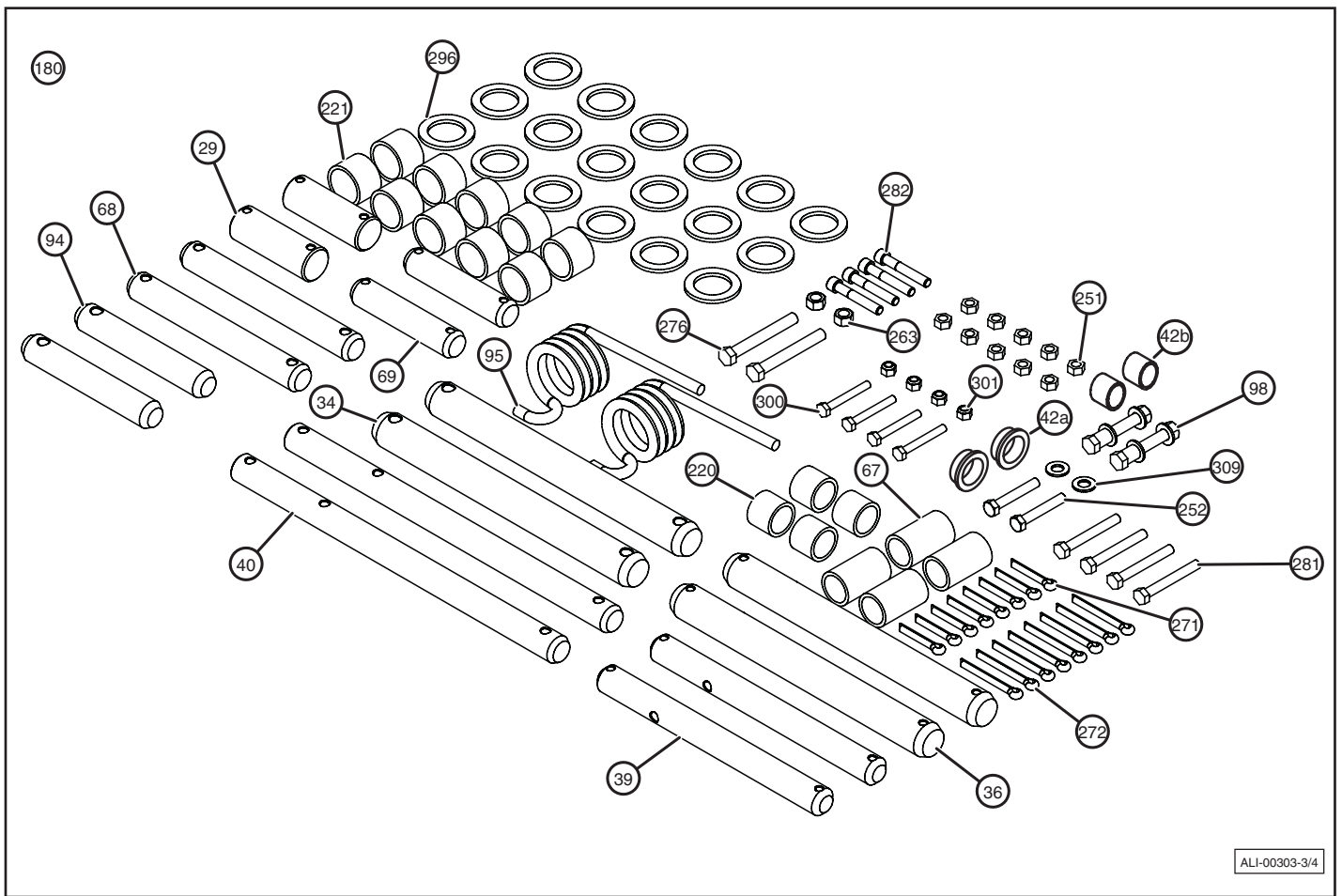


ALI-00302-5-6

Item	Part Number	Description	Qty.
149a	ATU-396	SWITCH ASSY: POWER DOWN SWITCH ASSY W/CABLE, PLASTIC BOX (3.25 X 5 X 3.25)	1
149b	ATU-1219	SWITCH ASSY: POWER DOWN SWITCH ASSY W/CABLE, PLASTIC BOX (2.5 X 3 X 1)	1
150	ATU-1221	SWITCH: NEW STYLE PLASTIC BOX AND SWITCH, NO CABLE	1
151	A-133144	SWITCH ONLY: RAISE/LOWER TOGGLE (POTTED ASSY)	1
152a	ATU-1215	PLASTIC SWITCH BOX	1
152b	ATU-394	SWITCH ENCLOSURE, "UP/DOWN"	1
153	A-150438	FUSE, 10A	1
155	A-150472	CABLE CLAMP, 1/2" (STEEL/VINYL COATED)	1
197	A-131001	DECAL: 10A FUSE & HOLDER	1

NOTES

13. Pin and Bushing Kits



Item	Part Number	Description	Qty.
180	A-140266	PIN KIT: MTU-GLR 3/4 GEN1&2 (STEEL/ALUM PLATFORMS)	1
	A-140931	PIN KIT: MTU-GLR 3/4 GEN3 (STEEL/ALUM PLATFORMS)	
	A-140723	PIN KIT: MTU-GLR 3/4/EX GEN1&2 (ALL ALUM PLATFORM)	
	A-140932	PIN KIT: MTU-GLR 3/4/EX GEN3 (ALL ALUM PLATFORM)	
29	A-140046	PIN: RADIUS ARM TO ADAPTER FRAME (DIAM.: 1.25", 3.5" LONG)	2
34	A-140175	PIN: ROCKER TO ADAPTER FRAME (DIAM: 1.25", 11.875" LONG)	2
36	A-140176	PIN: ROCKER TO LIFTFRAME (DIAM: 1.25", 11.875" LONG)	2
39	A-140173	PIN: CAM AND ROLLER TO LIFTFRAME (DIAM: 1", 10.435" LONG)	2
40	A-140023	PIN: STEEL PLATFORM TO LIFTFRAME (DIAM: 1", 15.093" LONG) (with center hole at cam) (replaced by A-140884)	2
	A-140884	PIN: STEEL PLATFORM TO LIFTFRAME (DIAM: 1", 15.093" LONG) (no center hole at cam)	
	A-140317	PIN: ALUM PLATFORM TO LIFTFRAME (DIAM: 1", 15.813" LONG) (with center hole at cam)	
	A-140881	PIN: ALUM PLATFORM TO LIFTFRAME (DIAM: 1", 17" LONG) (no center hole at cam) (used with A-140839)	
42a	ATU-429	COMPOSITE BUSHING, 1" ID X 1.25" OD X .75" LONG	2
42b	A-176844	BRONZE BUSHING (REPLACED BY ATU-429) FEB 2017	
67	ATU-427	COMPOSITE BUSHING, 1" ID X 1.25" OD X 2" LONG	4
68	A-140174	PIN: CYLINDER UPPER (DIAM: 1", 8.125" LONG) GEN1&2	2
	A-140864	PIN: CYLINDER UPPER (DIAM: 1", 8.375" LONG) GEN3	
69	ATU-103	PIN: CYLINDER LOWER (DIAM: 1", 4.625" LONG)	2
94	ATU-647	PIN: FLIP TO MAIN PLATFORM (DIAM: 1", 5.935" LONG)	2
95	ATU-326-M	SPRING, PLATFORM ASSIST - FLIP TO MAIN	2
98	ATU-944	FASTENER KIT	2

Item	Part Number	Description	Qty.
220	ATU-426	COMPOSITE BUSHING, 1" ID X 1.25" OD X 1" LONG	4
221	ATU-428	COMPOSITE BUSHING, 1.25" ID X 1.5" OD X 1" LONG	10
251	862	5/16-18 LOCKNUT	10-14
252	869	5/16-18 X 2" HEX BOLT	2
263	2184	3/8-24 LOCKNUT	2
271	A-132026	COTTER PIN: 1/4" DIAM X 1.5" LONG, STAINLESS STEEL	8-12
272	A-132027	COTTER PIN: 1/4" DIAM X 2" LONG, STAINLESS STEEL	8
276	A-132039	3/8-24 X 3" GRADE 8 BOLT	2
281	A-132132	5/16-18 X 2.5" HEX BOLT	4
282	A-132148	5/16-18 X 2" SOCKET CAP SCREW	2-4
296	ATU-134	RING WASHER: 1.25" ID X 1.875" OD X .125" THICK	18
300	ATU-358	1/4-20 X 2" GRADE 8 BOLT	4
301	ATU-359	1/4-20 LOCKNUT	4
309	A-132251	M10 FLAT WASHER	2

14. Safety and Instructional Decals

SAFETY INSTRUCTIONS



To prevent personal injury from not being aware of safety recommendations, make sure all decals are attached to the liftgate and/or truck and are legible at all times!

Item	Part Number	Description	Qty.
156.3	A-131036	WIRE DECAL: WARNING - FUSE REPLACEMENT INSTRUCTIONS	1
	A-131306-C	WIRE DECAL: WARNING - FUSE REPLACEMENT INSTRUCTIONS (ENGLISH/SPANISH COMBINED)	
190	ATU-174	DECAL: 2500LB MAXIMUM CAPACITY	1
	ATU-174-S	DECAL: 2500LB MAXIMUM CAPACITY (SPANISH)	
191	ATU-147	DECAL: 3000LB MAXIMUM CAPACITY	1
	ATU-147-S	DECAL: 3000LB MAXIMUM CAPACITY (SPANISH)	
	A-131062-C	DECAL: 3000LB MAXIMUM CAPACITY (ENGLISH/SPANISH COMBINED)	
192	A-171433	DECAL: 4000LB MAXIMUM CAPACITY	1
	A-171433-S	DECAL: 4000LB MAXIMUM CAPACITY (SPANISH)	
	A-171433-C	DECAL: 4000LB MAXIMUM CAPACITY (ENGLISH/SPANISH COMBINED)	
197	A-131001	DECAL: 10A FUSE & HOLDER	1
	A-131001-C	DECAL: 10A FUSE & HOLDER (ENGLISH/SPANISH COMBINED)	
199	A-131017	DECAL: NOTE - DISENGAGE LATCH	1
	A-131017-S	DECAL: NOTE - DISENGAGE LATCH (SPANISH)	
	A-131017-C	DECAL: NOTE - DISENGAGE LATCH (ENGLISH/SPANISH COMBINED)	
201	A-131028	DECAL: WELD WARNING	1
	A-131028-S	DECAL: WELD WARNING	
	A-131028-C	DECAL: WELD WARNING (ENGLISH/SPANISH COMBINED)	
202	A-131034	DECAL: ANTHONY LABEL	1
203	A-131070	DECAL: LIFTGATE SECURITY	1
	A-131070-S	DECAL: LIFTGATE SECURITY (SPANISH)	
	A-131070-C	DECAL: LIFTGATE SECURITY (ENGLISH/SPANISH COMBINED)	
204	A-131071	DECAL: OPERATING INSTRUCTIONS FOR CONTROL MODULE	1
	A-131071-S	DECAL: OPERATING INSTRUCTIONS FOR CONTROL MODULE (SPANISH)	
	A-131071-C	DECAL: OPERATING INSTRUCTIONS FOR CONTROL MODULE (ENGLISH/SPANISH COMBINED)	
205	A-131072	LVC "QUICK START" SHEET	1
206	A-131075	DECAL: MTU HYDRAULIC OIL LEVEL	1
207	A-131106	DECAL: WARNING - REMOVE BOLTS AFTER INSTALLATION	2
208	A-131128	DECAL: WEO CONNECT INST. (IF EQUIPPED)	1
209	A-131129	DECAL: WEO DISCONNECT INST. (IF EQUIPPED)	1
211	A-150601	DECAL: MADE IN THE USA	1
212	ATU-141	DECAL: AFTER USING LIFTGATE	1
	ATU-141-S	DECAL: AFTER USING LIFTGATE (SPANISH)	
	ATU-141-C	DECAL: AFTER USING LIFTGATE (ENGLISH/SPANISH COMBINED)	
213	ATU-146	DECAL: STAND CLEAR	2
	ATU-146-S	DECAL: STAND CLEAR (SPANISH)	
	ATU-146-C	DECAL: STAND CLEAR (ENGLISH/SPANISH COMBINED)	
214	A-131045	DECAL: OPERATING INSTRUCTIONS	1
	A-131045-S	DECAL: OPERATING INSTRUCTIONS (SPANISH)	
	A-131055-C	DECAL: OPERATING INSTRUCTIONS (ENGLISH/SPANISH COMBINED)	
215	ATU-424	DECAL: WARNING - RESET CIRCUIT BREAKER	1
	ATU-424-S	DECAL: WARNING - RESET CIRCUIT BREAKER (SPANISH)	
	ATU-424-C	DECAL: WARNING - RESET CIRCUIT BREAKER (ENGLISH/SPANISH COMBINED)	

Item	Part Number	Description	Qty.
216	Q-003013	DECAL: URGENT WARNING	1
	Q-003013-S	DECAL: URGENT WARNING (SPANISH)	
	Q-003013-C	DECAL: URGENT WARNING (ENGLISH/SPANISH COMBINED)	
217	A-131115	DECAL: WARNING - PERSONAL INJURY	1
218	A-150238	DECAL: NOTICE - PROTECTED WITH ELECTRICAL OVERLOAD CIRCUIT BREAKER	
	A-150238-S	DECAL: NOTICE - PROTECTED WITH ELECTRICAL OVERLOAD CIRCUIT BREAKER (SPANISH)	
	A-150238-C	DECAL: NOTICE - PROTECTED WITH ELECTRICAL OVERLOAD CIRCUIT BREAKER (ENGLISH/SPANISH COMBINED)	
219	ATU-143	DECAL: SECURE LATCH WHILE IN TRANSIT	
	ATU-143-S	DECAL: SECURE LATCH WHILE IN TRANSIT (SPANISH)	
	ATU-143-C	DECAL: SECURE LATCH WHILE IN TRANSIT (ENGLISH/SPANISH COMBINED)	

Decal Kits

Item	Part Number	Description	Qty.
181.1	A-140708	DECAL/INSTALL KIT (2500LB CAPACITY)	1
181.2	A-140120	DECAL/INSTALL KIT (3000LB CAPACITY)	1
181.3	A-140120-S	DECAL/INSTALL KIT (3000LB CAPACITY) (SPANISH)	1
181.4	A-140121	DECAL/INSTALL KIT (4000LB CAPACITY)	1
181.5	A-140121-S	DECAL/INSTALL KIT (4000LB CAPACITY) (SPANISH)	1
181.91	L-401	MTU-GLR INSTALLATION AND OPERATION MANUAL	1
182.2	A-140705	DECAL KIT ONLY (3000LB CAPACITY)	1
182.3	A-140706	DECAL KIT ONLY (4000LB CAPACITY)	1

156.3 — A-131036



Vase fuse through clear fuse holder. If blown, replace as follows:
Liftgate fuse changing procedure.

Warning! To avoid injury, disconnect the liftgate power from the battery/ies before replacing the fuse, or before disconnecting the fuse holder. Do not ignore the warning in an "off" state since air personal injury or property damage could result.

1. Pull back rubber boots from fuse holder.
2. Loosen the fuse holder ends from the fuse holder body and pull apart.
3. Slide the fuse holder body one direction (left or right) to expose the correct fuse.
4. Loosen screw from each end of fuse, remove and replace fuse. Tighten screws.
5. Re-assemble in reverse order. Be sure the rubber boots are seated on the fuse holder end caps.
6. Re-connect power after you are certain liftgate area is clear.

Note: Check for spare fuse in liftgate manual packet. If fuse continues to blow, contact a qualified mechanic to remedy the problem.

Quemere el fusible a través del portafusible transparente, si está quemado, cámbielo de la manera siguiente:
Procedimiento para cambiar el fusible de la compuerta elevadora.

¡Advertencia! Para evitar lesiones, desconecte la alimentación de la(s) batería(s) de la compuerta elevadora antes de cambiar el fusible, o antes de desconectar el portafusible. No pase por alto esta advertencia ya que puede resultar en una lesión personal y daños a la propiedad.

1. Tire de las botas de caucho del portafusible hacia atrás.
2. Desatornille los extremos del portafusible del cuerpo del mismo y separelos.
3. Deslice el cuerpo del portafusible en un sentido (a la izquierda o a la derecha) para exponer el fusible correcto.
4. Afloje el tornillo de cada extremo del fusible, retire y reemplácelo el fusible. Apriete los tornillos.
5. Instale la nueva fusible. Verifique que los tornillos de caucho estén bien atorados del portafusible y cables.
6. Conecte la alimentación después de comprobar que el área de la compuerta elevadora está despejada.

Note: Busque el fusible de repuesto en el paquete del manual de la compuerta elevadora. Si los fusibles siguen quemándose, contacte con un mecánico competente para que solucione el problema.

A-131036-C

190 — ATU-174 / A-174-S



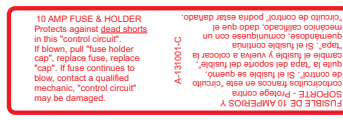
191 — ATU-147 / A-131062



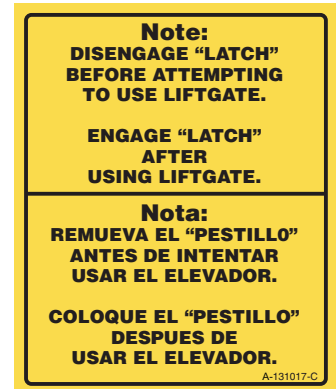
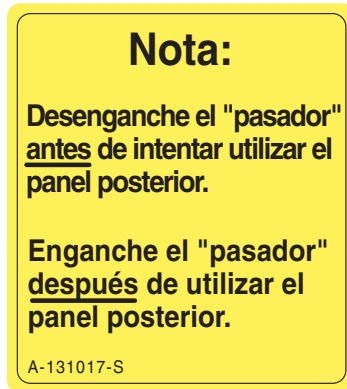
192 — A-171433



197 — A-131001



199 — A-131017



201 — A-131028

WELD WARNING!

For all Anthony "Service-Free" Liftgates

When performing welding during installation, service, or repair on Anthony "SF" Service-Free Liftgates, the actual part being welded must be grounded. Failure to follow this instruction can cause the welding ground to travel through the high pressure hydraulic hose as the source of ground, thus causing damage to the hose from the powerful electric current. The resulting damage to the hose may or may not be visible and can cause unexpected catastrophic failure of the lift. If you have any questions, please contact Anthony Liftgates, Inc., Pontiac, Illinois, USA (800-482-0003).

A-131028

ADVERTENCIA PARA LA SOLDADURA

Para todos los paneles posteriores Anthony "Service-Free" Liftgates.

Al efectuarse la soldadura durante la instalación, servicio o reparación de los paneles posteriores Anthony "SF" Service-Free, la pieza que se está soldando debe estar conectada a tierra. En caso contrario, la elevada corriente de la soldadura podría circular a tierra a través de la manguera hidráulica de alta presión y causar averías. Los daños producidos en la manguera pueden ser visibles o no visibles y pueden causar el fallo catastrófico e imprevisto del elevador. Si tiene alguna duda, póngase en contacto con Anthony Liftgates, Inc., Pontiac, Illinois, USA (800-482-0003).

A-131028-B

WELD WARNING!

FOR ALL ANTHONY "SERVICE-FREE" LIFTGATES

Service-Free liftgates, the actual part being welded must be grounded. Failure to follow this instruction can cause the welding ground to travel through the high pressure hydraulic hose as the source of ground, thus causing damage to the hose from the powerful electric current. The resulting damage to the hose may or may not be visible and can cause unexpected, catastrophic failure of the lift. If you have any questions, please contact Anthony Liftgates, Inc., Pontiac, Illinois, (800-482-0003)

¡ADVERTENCIA ANTES DE SOLDAR!

PARA TODOS LOS ELEVADORES ANTHONY "SERVICE-FREE"

Quando se tenga que soldar durante instalación, servicio o reparación de un elevador Anthony "SF" Service-Free, la pieza que se está soldando debe estar a tierra. El no seguir esta instrucción causará que la tierra de la máquina soldadora viaje a través de la manguera hidráulica de alta presión hasta la fuente de tierra. La intensa corriente eléctrica dañará la manguera. El daño resultante puede ser visible o invisible, y puede causar una inesperada falla catastrófica del elevador. Si usted tiene alguna pregunta al respecto, por favor contacte Anthony Liftgates, Inc., Pontiac, Illinois, USA. (800-482-0003)

A-131028-C

202 — A-131034



203 — A-131070

Liftgate Security code instructions necessary to operate Liftgate Control Module.

(To be placed in Cab of Truck)

Press A,B,A,B to enable liftgate control.

If an incorrect code is entered, press A and B simultaneously to clear module. Then press A,B, A,B again to enable liftgate control.

To disable liftgate control press A and B simultaneously; or Control will shut off automatically after a preset period of non-activity.

For technical assistance please call 1 (800) 482-0003

131070

Instrucciones para introducir el código de seguridad para usar el módulo de control de la puerta levadiza.

(Coloque estas instrucciones en la cabina del camión)

Presione A,B,A,B para habilitar el control de la puerta levadiza.

Si introduce un código incorrecto, pulse A y B en forma simultánea para borrar el contenido del módulo. Luego, presione A,B,A,B nuevamente para habilitar el control de la puerta levadiza.

Para deshabilitar el control de la puerta levadiza, presione A y B de manera simultánea. De lo contrario, el control se desactivará automáticamente después de un periodo preestablecido de inactividad.

Si necesita asistencia técnica, llame al 1 (800) 482-0003

131070-S

Liftgate Security code instructions necessary to operate Liftgate Control Module.

(To be placed in Cab of Truck)

Press A,B,A,B to enable liftgate control.

If an incorrect code is entered, press A and B simultaneously to clear module. Then press A,B, A,B again to enable liftgate control.

To disable liftgate control press A and B simultaneously; or Control will shut off automatically after a preset period of non-activity. For technical assistance please call 1 (800) 482-0003

Instrucciones para introducir el código de seguridad para usar el módulo de control de la puerta levadiza.

(Coloque estas instrucciones en la cabina del camión)

Presione A,B,A,B para habilitar el control de la puerta levadiza.

Si introduce un código incorrecto, pulse A y B en forma simultánea para borrar el contenido del módulo. Luego, presione A,B,A,B nuevamente para habilitar el control de la puerta levadiza.

Para deshabilitar el control de la puerta levadiza, presione A y B de manera simultánea. De lo contrario, el control se desactivará automáticamente después de un periodo preestablecido de inactividad.

Si necesita asistencia técnica, llame al 1 (800) 482-0003

A-131070-C

204 — A-131071

Operation Instructions for Liftgate Control Module.

(To be placed near Liftgate up/down Control Module)

1. Enable the Liftgate Control Module by entering proper security code Green "READY" LED should light indicating that module is enabled.
2. Operate the Liftgate by pressing the "UP" or "DOWN" keys as necessary.
3. Module will turn off after a predetermined period on Non-activity. Enter security code to enable again.
4. If voltage on battery is running low, the module may go into a "Low Battery" condition.
 - A. If so the "LOW BAT." LED will begin flashing.
 - B. Liftgate can be operating for only two more complete cycles.
 - C. Alarm will sound while raising or lowering.
 - C. After the two lifts, the liftgate can be raised only, not lowered until low voltage is correct.
5. If Low Battery condition exists start vehicle to begin charging batteries. When liftgate control module senses 14 volts, the "Low Battery" condition will cease and normal control may resume.

For technical assistance please call 1 (800) 482-0003

A-131071

Instrucciones de trabajo para el módulo de control de la puerta levadiza.

(Coloque estas instrucciones cerca del módulo de control de elevación/descenso de la puerta levadiza)

1. Habilite el módulo de control de la puerta levadiza introduciendo el código de seguridad correspondiente. Deberá encenderse el LED verde que dice "READY" (LISTO) para indicar que el módulo está habilitado.
2. Accione la puerta levadiza presionando las teclas "UP" para levantarla o "DOWN" para bajarla, según sea necesario.
3. El módulo se apagará después de un periodo predeterminado de inactividad. Introduzca el código de seguridad para volver a habilitarlo.
4. Si el voltaje de la batería está disminuyendo, es posible que el módulo entre en estado de "Batería baja".
 - A. Si eso sucede, el LED "LOW BAT" (batería baja) comenzará a parpadear.
 - B. La puerta levadiza funcionará sólo por dos ciclos completos más.
 - C. Sonará una alarma mientras la puerta sube o baja.
 - D. Después de haber subido dos veces, sólo se podrá levantar la puerta levadiza una vez más, pero no bajará hasta tanto el voltaje sea el correcto.
5. Si el sistema indica "batería baja", arranque el vehículo para comenzar a cargar las baterías. Cuando el módulo de control de la puerta levadiza detecta que hay 14 voltios, dejará de indicar "batería baja" y se recuperará el control normal.

Si necesita asistencia técnica, llame al 1 (800) 482-0003

A-131071-S

Operation Instructions for Liftgate Control Module.

(To be placed near Liftgate up/down Control Module)

1. Enable the Liftgate Control Module by entering proper security code Green "READY" LED should light indicating that module is enabled.
2. Operate the Liftgate by pressing the "UP" or "DOWN" keys as necessary.
3. Module will turn off after a predetermined period on Non-activity. Enter security code to enable again.
4. If voltage on battery is running low, the module may go into a "Low Battery" condition.
 - A. If so the "LOW BAT." LED will begin flashing.
 - B. Liftgate can be operating for only two more complete cycles.
 - C. Alarm will sound while raising or lowering.
 - D. After the two lifts, the liftgate can be raised only, not lowered until low voltage is correct.
5. If Low Battery condition exists start vehicle to begin charging batteries. When liftgate control module senses 14 volts, the "Low Battery" condition will cease and normal control may resume.

For technical assistance please call 1 (800) 482-0003

Si necesita asistencia técnica, llame al 1 (800) 482-0003

A-131071-C

205 — A-131072



206 — A-131075

Procedure for Checking Hydraulic oil Level on all MTU Tuckunder Liftgates

Hydraulic oil level should be 2" from the top of the reservoir with the platform unfolded and in the fully raised position.

A-131075

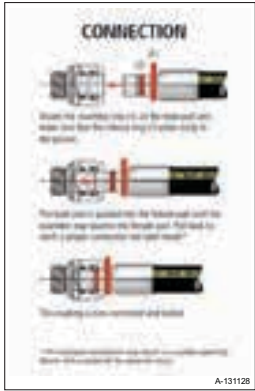
207 — A-131106

WARNING

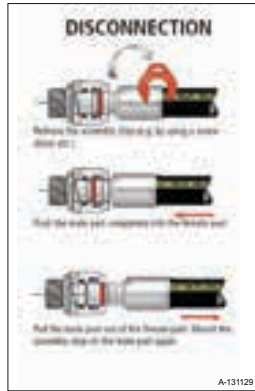
MUST REMOVE AND DISCARD INSTALLATION BOLTS ON "ROCKER ASSEMBLIES" BEFORE OPERATING LIFTGATE

A-131106

208 — A-131128



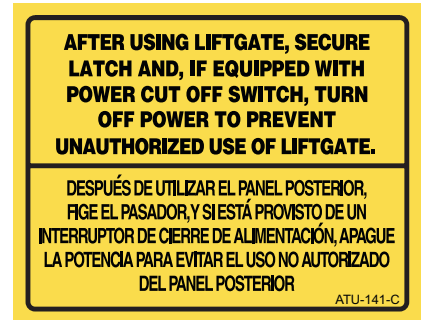
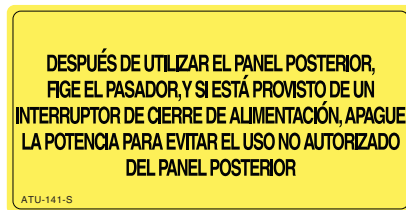
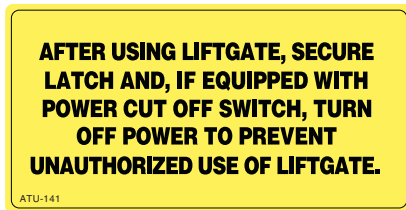
209 — A-131129



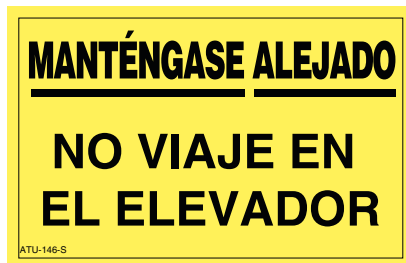
211 — A-150601



212 — ATU-141



213 — ATU-146



ANTHONY "WTU-GLT" SERIES LIFTGATE OPERATING INSTRUCTIONS

- UNLATCH LIFTGATE BY PULLING UP ON HANDLE IN DIRECTION OF ARROW.
- LOWER PLATFORM BY PULLING CONTROL SWITCH TO "DOWN" POSITION. PLATFORM WILL BEGIN TO SPIN AS IT LOWERS.
- UNFOLD PLATFORM BY PULLING UP ON HANDLE OUTWARD AND TOWARD GROUND.
- UNFOLD "FLIP" SECTION.
- TO RAISE THE PLATFORM: PRESS THE "UP" BUTTON. PLATFORM WILL "UP" TO THE POSITION TO RAISE. ONCE TO LOWER THE PLATFORM: PRESS THE "DOWN" BUTTON. PLATFORM LOWERS UNTIL DOWNSTOP CONTACTS THE GROUND. TO LOWER AND LOWERING CYCLE: AT THE PLATFORM CONTACTS THE GROUND, THE PLATFORM BEGINS TO LOWER. CONTINUE UNTIL THE WAMP EDGE TOUCHES THE GROUND. UNLOADING THE PLATFORM.
- TO RAISE LIFTGATE BACK TO FOLD POSITION: LOWER PLATFORM TO GROUND AND REVERSE STEPS 1, 2, 3 & 4.

ANTHONY LIFTGATES, INC.
107 WEST HOWARD ST. PONTIAC, IL 61764
A-131045

ANTHONY "WTU-GLT" SERIES LIFTGATE OPERATING INSTRUCTIONS INSTRUCCIONES DE TRABAJO

- DESABRANQUE LA PUERTA LEVADIZA GIRANDO LA MANIVELA HACIA ATRÁS EN LA DIRECCIÓN INDICADA POR LA FLECHA.
- BAJARE LA PLATAFORMA PULSANDO EL INTERRUPTOR DE CONTROL HACIA "ABAJOS" PARA BAJAR LA PLATAFORMA. LA PLATAFORMA COMENZARÁ A BAJAR COMO SE MUESTRA EN EL DIBUJO.
- DESPLIEGUE LA PLATAFORMA TIRANDO DE LA PALANCA DEL MANEJO HACIA AFUERA Y HACIA EL SUELO.
- DESPLIEGUE LA SECCIÓN "ABATIBLE".
- PARA BAJAR LA PLATAFORMA: PRESIONE EL BOTÓN DE CONTROL "ABAJOS". LA PLATAFORMA BAJARÁ HASTA QUE LOS CONTACTOS TOQUEN EL SUELO. PARA BAJAR Y BAJAR CICLO: CUANDO LA PLATAFORMA CONTACTA EL SUELO, LA PLATAFORMA COMENZARÁ A BAJAR. CONTINUE HASTA QUE EL BORDE DE LA MANIVELA TOQUE EL SUELO. DESCARGUE LA PLATAFORMA.
- PARA COLOCAR LA PUERTA LEVADIZA DE NUEVO EN SU POSICIÓN DE ALMACENAMIENTO, BAJE LA PLATAFORMA HASTA EL SUELO Y REVERSE LOS PASOS 1, 2, 3 Y 4 EN SU ORDEN CORRECTO.

ANTHONY LIFTGATES, INC.
107 WEST HOWARD ST. PONTIAC, IL 61764
A-131045

PUERTA LEVADIZA ANTHONY SERIE "WTU-GLT" INSTRUCCIONES DE TRABAJO

- DESABRANQUE LA PUERTA LEVADIZA GIRANDO LA MANIVELA HACIA ATRÁS EN LA DIRECCIÓN INDICADA POR LA FLECHA.
- BAJARE LA PLATAFORMA PULSANDO EL INTERRUPTOR DE CONTROL HACIA "ABAJOS" PARA BAJAR LA PLATAFORMA. LA PLATAFORMA COMENZARÁ A BAJAR COMO SE MUESTRA EN EL DIBUJO.
- DESPLIEGUE LA PLATAFORMA TIRANDO DE LA PALANCA DEL MANEJO HACIA AFUERA Y HACIA EL SUELO.
- DESPLIEGUE LA SECCIÓN "ABATIBLE".
- PARA BAJAR LA PLATAFORMA: PRESIONE EL BOTÓN DE CONTROL "ABAJOS". LA PLATAFORMA BAJARÁ HASTA QUE LOS CONTACTOS TOQUEN EL SUELO. PARA BAJAR Y BAJAR CICLO: CUANDO LA PLATAFORMA CONTACTA EL SUELO, LA PLATAFORMA COMENZARÁ A BAJAR. CONTINUE HASTA QUE EL BORDE DE LA MANIVELA TOQUE EL SUELO. DESCARGUE LA PLATAFORMA.
- PARA COLOCAR LA PUERTA LEVADIZA DE NUEVO EN SU POSICIÓN DE ALMACENAMIENTO, BAJE LA PLATAFORMA HASTA EL SUELO Y REVERSE LOS PASOS 1, 2, 3 Y 4 EN SU ORDEN CORRECTO.

ANTHONY LIFTGATES, INC.
107 WEST HOWARD ST. PONTIAC, IL 61764
A-131045

WARNING

To avoid injury, be certain liftgate area is clear before resetting circuit breaker. Circuit breaker must cool before resetting. Reset by pressing lever (or button). If circuit breaker continues to trip, contact a qualified mechanic.

ATU-424

ADVERTENCIA

Para evitar lesiones, compruebe que el área donde opera la puerta levadiza se encuentre despejada antes de restablecer el disyuntor. Deje enfriar el disyuntor antes de restablecerlo. Para restablecerlo, presione la palanca (o botón). Si el disyuntor sigue disparándose, comuníquese con un mecánico calificado.

ATU-424-S

WARNING

To avoid injury, be certain liftgate area is clear before resetting circuit breaker. Circuit breaker must cool before resetting. Reset by pressing lever (or button). If circuit breaker continues to trip, contact a qualified mechanic.

ADVERTENCIA

Para evitar lesiones, compruebe que el área donde opera la puerta levadiza se encuentre despejada antes de restablecer el disyuntor. Deje enfriar el disyuntor antes de restablecerlo. Para restablecerlo, presione la palanca (o botón). Si el disyuntor sigue disparándose, comuníquese con un mecánico calificado.

ATU-424-C

WARNING

ELEVATING GATE INSTRUCTIONS
Before Operating Lift, Be Sure You Understand the Following:

- Improper operation of this lift can result in serious personal injury. Do not operate unless you have been properly instructed and have read and are familiar with the operating instructions. If you do not have a copy of the instructions, please obtain them from your employer, distributor, or lessee, as appropriate, before you attempt to operate the lift.
- Be certain the vehicle is properly and securely braked before using the lift.
- Always inspect this lift for maintenance or damage before using it. If there are signs of improper maintenance, damage to vital parts, or slippery platform surfaces, do not use the lift. Do not attempt your own repairs, unless you are specifically trained.
- Do not overload. See Mtg. Literature and/or Rating Label on the unit for the rated load. Remember that this limit applies to both raising and lowering operations.
- Each load should be placed in a stable position within the edges of the platform as near as possible to the center of the platform side to side, and as close to the truck sill as possible.
- Never stand in or move through or allow anyone else to stand in or move through the area in which the lift may operate or into which an upset load might fall.
- This is not a passenger lift. This lift is intended for loading and unloading of cargo only. Do not use this liftgate for anything but its intended use.

Anthony Liftgates, Inc.
Q-003013

ADVERTENCIA

INSTRUCCIONES PARA SUBIR EL PANE
Antes de hacer funcionar el elevador, asegúrese de leer detenidamente lo siguiente:

- El mal uso de este elevador puede provocar lesiones personales graves. No lo haga funcionar a menos que haya recibido una capacitación adecuada y haya leído y esté familiarizado con las instrucciones para el funcionamiento. Si no tiene una copia de las instrucciones, consiga una de su empleador, distribuidor o arrendador, según sea apropiado, antes de intentar hacer funcionar el elevador.
- Asegúrese de que los frenos del vehículo estén accionados de manera adecuada y segura antes de utilizar el elevador.
- Inspeccione el elevador antes de usarlo para asegurarse de que no existen daños o que no requiere mantenimiento. Si existen señales de mantenimiento inadecuado, dañada o piezas fundamentales o una superficie de la plataforma resbalosa, no utilice el elevador. No intente realizar sus propias reparaciones, a no ser que tenga una capacitación específica.
- No sobrecargue. Véase la literatura de producción y/o la etiqueta de régimen de trabajo en la unidad para conocer la carga máxima admisible. Recuerde que este límite se aplica tanto para las operaciones de subida como las de bajada.
- Cada carga se debe colocar en una posición estable, dentro de los bordes de la plataforma lo más próxima posible al centro de la plataforma, lado a lado, y lo más cercana posible al panel inferior del control.
- Nunca permanezca de pie o recorra el área en la que el elevador puede funcionar o en la que una carga tirada al suelo puede caer, y no permita que ninguna otra persona lo haga.
- Este no es un ascensor de pasajeros. Este panel posterior está concebido únicamente para la carga y descarga de mercancías. No utilice este panel posterior para cualquier cosa que no sea el uso previsto.

Anthony Liftgates, Inc.
Q-003013-S

URGENT WARNING

ELEVATING GATE INSTRUCTIONS
Before Operating Lift, Be Sure You Understand the Following:

- Improper operation of this lift can result in serious personal injury. Do not operate unless you have been properly instructed and have read and are familiar with the operating instructions. If you do not have a copy of the instructions, please obtain one from your employer, distributor, or lessee, as appropriate, before you attempt to operate the lift.
- Be certain the vehicle is properly and securely braked before using the lift.
- Always inspect this lift for maintenance or damage before using it. If there are signs of improper maintenance, damage to vital parts, or slippery platform surfaces, do not use the lift. Do not attempt your own repairs unless you are specifically trained.
- Do not overload. See Mtg. Literature and/or Rating Label on the unit for the rated load. Remember that this limit applies to both raising and lowering operations.
- Each load should be placed in a stable position within the edges of the platform, as near as possible to the center of the platform, side to side, and as close as possible to the truck sill.
- Never stand in or move through, or allow anyone else to stand in or move through the area in which the lift may operate, or into which an upset load might fall.
- This is not a passenger lift. This liftgate is intended for loading and unloading of cargo only. Do not use this liftgate for anything but its intended use.

ADVERTENCIA URGENTE

INSTRUCCIONES PARA LA COMPUERTA ELEVADORA
Antes de Operar el Elevador, Asegúrese de Entender lo Siguiente:

- El uso no apropiado de este elevador puede ocasionar lesiones personales graves. No opere el elevador a menos que usted haya sido instruido adecuadamente para hacerlo y haya leído y se haya familiarizado con las instrucciones de operación. Si usted no tiene una copia de las instrucciones, consiga una copia de ellas de su empleador, distribuidor o arrendador, antes de intentar operar el elevador.
- Asegúrese de que los frenos del vehículo estén seguros y apropiadamente fijados.
- Antes de usar este elevador, siempre inspeccione su estado. Si hay señales de mal mantenimiento, daños en partes vitales, o si la superficie de la plataforma está resbalosa, no use el elevador. No intente hacer reparaciones en la plataforma a no ser que usted haya sido capacitado específicamente para ello.
- No sobrecargue. Refiérase a la literatura del fabricante y/o observe la capacidad de carga contenida en la etiqueta de operación ubicada sobre la unidad. Recuerde que este límite se aplica tanto para las operaciones de subida como las de bajada.
- La carga debe ser colocada en una posición estable dentro de los bordes de la plataforma, lo más cercana posible al centro de la plataforma como sea posible, y lo más cerca al control del camión que sea posible.
- Nunca se debe pasar o mover, ni dejar que nadie se pase o mueva en el área en que se va a operar el elevador, o en el área en la que una carga cae balanceada puede caer.
- Este no es un elevador para pasajeros. Este elevador es únicamente para el transporte y bodega de carga. No use este elevador para cualquier otro propósito.

ANTHONY LIFTGATES, INC.

WARNING

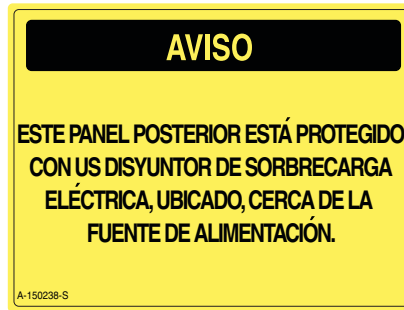
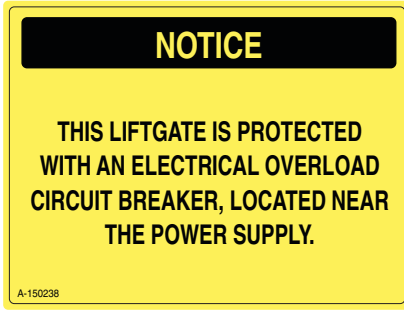
PERSONAL INJURY HAZARD

Operation may require user to stand on platform. To prevent injury or death of operators or bystanders: Read and follow operator/owner manual for safety, operation, inspection, and maintenance instructions.

- Do not place unstable or unsafe loads on platform.
- Do not allow loads to extend over edge of platform.
- Do not exceed capacity or use liftgate for anything other than intended purpose.
- Be aware of surroundings when operating liftgate.
- Do not allow body parts to contact moving components.
- Ensure footing is stable and stand away from edge before raising or lowering platform.
- Owner/operators must properly maintain liftgate.

A-131115

218 — A-150238

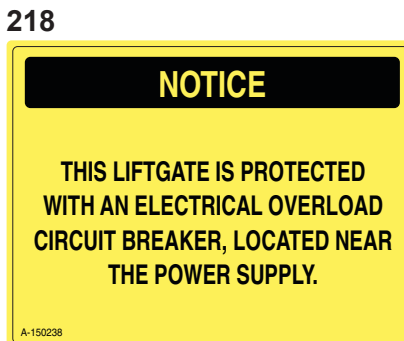
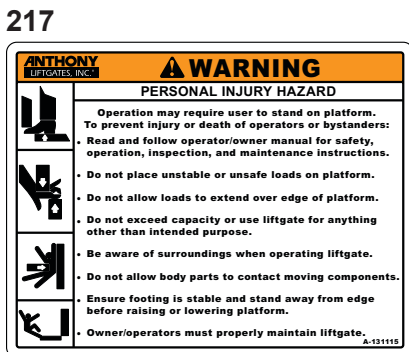
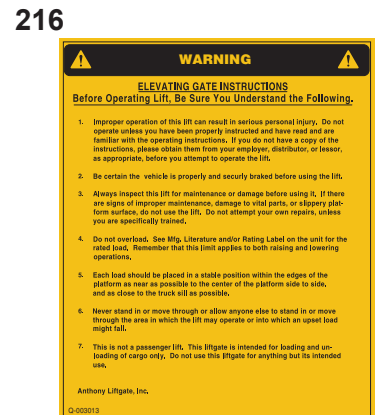
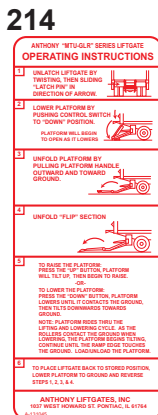
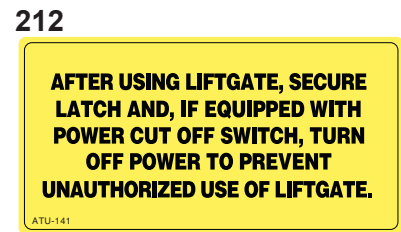
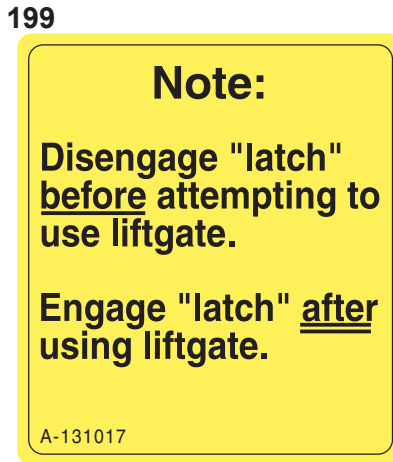


219 — ATU-143



181.1 — A-140708 — ENGLISH DECAL/INSTALL KIT (2500LB CAPACITY)

Item	Part Number	Description	Qty.
156.4	A-133063	FUSE, 200A (not shown)	1
181.91	L-401	MTU-GLR INSTALLATION AND OPERATION MANUAL (not shown)	1
190	ATU-174	DECAL: 2500LB MAXIMUM CAPACITY	1
199	A-131017	DECAL: NOTE - DISENGAGE LATCH	1
201	A-131028	DECAL: WELD WARNING	1
212	ATU-141	DECAL: AFTER USING LIFTGATE	2
213	ATU-146	DECAL: STAND CLEAR	2
214	A-131045	DECAL: OPERATING INSTRUCTIONS	1
216	Q-003013	DECAL: URGENT WARNING	1
217	A-131115	DECAL: WARNING - PERSONAL INJURY	2
218	A-150238	DECAL: NOTICE - PROTECTED WITH ELECTRICAL OVERLOAD CIRCUIT BREAKER	1
—	ATU-071	LEVELING SHIM (not shown)	6



181.2 — A-140120 — ENGLISH DECAL/INSTALL KIT (3000LB CAPACITY)

Item	Part Number	Description	Qty.
156.4	A-133063	FUSE, 200A (not shown)	1
181.91	L-401	MTU-GLR INSTALLATION AND OPERATION MANUAL (not shown)	1
191	ATU-147	DECAL: 3000LB MAXIMUM CAPACITY	1
199	A-131017	DECAL: NOTE - DISENGAGE LATCH	1
201	A-131028	DECAL: WELD WARNING	1
212	ATU-141	DECAL: AFTER USING LIFTGATE	2
213	ATU-146	DECAL: STAND CLEAR	2
214	A-131045	DECAL: OPERATING INSTRUCTIONS	1
216	Q-003013	DECAL: URGENT WARNING	1
217	A-131115	DECAL: WARNING - PERSONAL INJURY	2
218	A-150238	DECAL: NOTICE - PROTECTED WITH ELECTRICAL OVERLOAD CIRCUIT BREAKER	1
—	ATU-071	LEVELING SHIM (not shown)	6

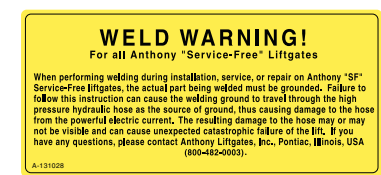
191



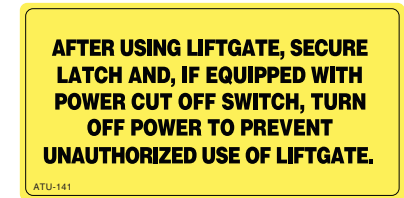
199



201



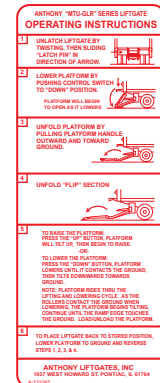
212



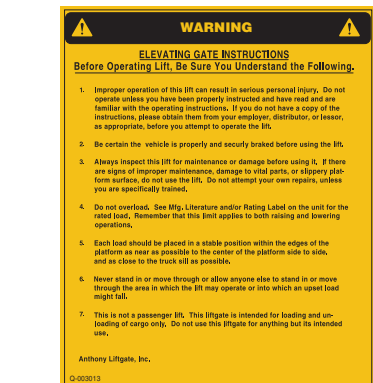
213



214



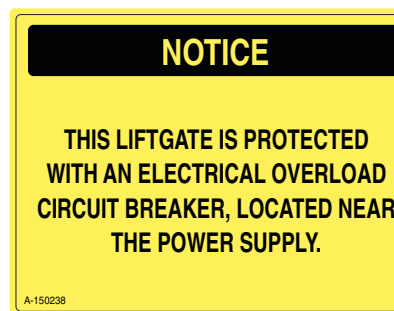
216



217



218



181.3 — A-140120-S — SPANISH DECAL/INSTALL KIT (3000LB CAPACITY)

Item	Part Number	Description	Qty.
156.4	A-133063	FUSE, 200A (not shown)	1
181.91	L-401	MTU-GLR INSTALLATION AND OPERATION MANUAL (not shown)	1
191	A-131062-C	DECAL: 3000LB/1350KG MAXIMUM CAPACITY	1
199	A-131056	DECAL: NOTE - DISENGAGE LATCH	1
201	A-131057	DECAL: WELD WARNING	1
212	A-131053-C	DECAL: AFTER USING LIFTGATE	2
213	A-131052-C	DECAL: STAND CLEAR	2
214	A-131045-C	DECAL: OPERATING INSTRUCTIONS	1
216	A-131054	DECAL: URGENT WARNING	2
217	A-131115	DECAL: WARNING - PERSONAL INJURY	1
218	A-150238-S	DECAL: NOTICE - PROTECTED WITH ELECTRICAL OVERLOAD CIRCUIT BREAKER	1
—	ATU-071	LEVELING SHIM	6

191

MAXIMUM CAPACITY
3000 lb.
1350 kg.
CAPACIDAD MÁXIMA

A-131062-C

199

Note:
DISENGAGE "LATCH" BEFORE ATTEMPTING TO USE LIFTGATE.
ENGAGE "LATCH" AFTER USING LIFTGATE.
Nota:
REMUEVA EL "PESTILLO" ANTES DE INTENTAR USAR EL ELEVADOR.
COLOQUE EL "PESTILLO" DESPUES DE USAR EL ELEVADOR.

A-131056

201

WELD WARNING!
FOR ALL ANTHONY "SERVICE-FREE" LIFTGATES
 When performing welding during installation, service, or repair on Anthony "SF" Service-Free liftgates, the actual part being welded must be grounded. Failure to follow this instruction can cause the welding ground to travel through the high pressure hydraulic hose as the source of ground, thus causing damage to the hose from the powerful electric current. The resulting damage to the hose may or may not be visible and can cause unexpected, catastrophic failure of the lift. If you have any questions, please contact Anthony Liftgates, Inc., Pontiac, Illinois. (800-482-0003)
¡ADVERTENCIA ANTES DE SOLDAR!
PARA TODOS LOS ELEVADORES ANTHONY "SERVICE-FREE"
 Cuando se tenga que soldar durante instalación, servicio o reparación de un elevador Anthony "SF" Service-Free, la pieza que se está soldando debe estar a tierra. El no seguir esta instrucción causará que la tierra de la máquina soldadora viaje a través de la manguera hidráulica de alta presión hasta la fuente de tierra. La intensa corriente eléctrica dañará la manguera. El daño resultante puede ser visible o invisible, y puede causar una inesperada falla catastrófica del elevador. Si usted tiene alguna pregunta al respecto, por favor contacte Anthony Liftgates, Inc., Pontiac, Illinois, USA. (800-482-0003)

A-131057

212

AFTER USING LIFTGATE, SECURE LATCH, AND IF EQUIPPED WITH POWER CUT-OFF SWITCH, TURN OFF POWER TO PREVENT UNAUTHORIZED USE OF LIFTGATE.
DESPUES DE USAR EL ELEVADOR, ASEGURE EL PESTILLO, Y SI EXISTE UN INTERRUPTOR DE CORRIENTE, ACCIONELO PARA EVITAR EL USO NO AUTORIZADO DEL ELEVADOR.

A-131053-C

213

STAND CLEAR
DO NOT RIDE ON LIFT
MANTENGASE ALEJADO
NO VIAJE EN EL ELEVADOR

A-131052-C

214

ANTHONY "WELLS" SERIES LIFTGATE OPERATING INSTRUCTIONS
INSTRUCCIONES DE TRABAJO
 1. UNLATCH LIFTGATE BY PULLING DOWN SLIDING "LATCH" IN DIRECTION OF ARROW. 2. LOWER PLATFORM BY PULLING CONTROL SWITCH TO "DOWN" POSITION. PLATFORM WILL BEGIN TO MOVE IN LOWER POSITION. 3. UNFOLD PLATFORM BY PULLING PLATFORM HANDLE OUTWARD AND TOWARD GROUND. 4. UNFOLD "FLIP" SECTION.
 5. TO RAISE THE PLATFORM, PRESSURE THE "UP" SECTION. PLATFORM WILL STOP TO RAISE. TO LOWER THE PLATFORM, PRESS THE "DOWN" SECTION. PLATFORM WILL STOP TO LOWER. NOTE: PLATFORM BEGS TO MOVE UP OR DOWN AS SOON AS YOU TOUCH THE CONTROL UNTIL THE RAMP EDGE TOUCHES THE GROUND. CONTINUE TO HOLD THE PLATFORM.
 6. TO PLACE LIFTGATE BACK TO STORED POSITION, LOWER PLATFORM TO GROUND AND REVERSE STEP 1, 2, 3 & 4.
 7. DESMONTAR LA PUERTA LEVADA QUANDO SE LEVADA EL PASADIZO DEL ELEVADOR EN LA DIRECCION INDICADA POR LA FLECHA. 8. EMPUJE EL INTERRUPTOR DE CONTROL HACIA "DOWN" (PARA ABAJO) PARA BAJAR LA PLATAFORMA. LA PLATAFORMA COMENZARA A BAJAR Y MOVERSE HACIA ABAJO. 9. DESPUES DE BAJAR LA PLATAFORMA TRAYENDO DE LA PALANCA DE LA PLATAFORMA HACIA AFUERA Y HACIA EL SUELO. 10. DESPLIEGUE LA SECCION "ABATIBLE".
 11. PARA LEVANTAR LA PLATAFORMA, PRESIONE EL BOTON "ARriba", QUE BEBIDA HACIA A. LUGO, COMENZARA A LEVANTAR. 12. PARA BAJAR LA PLATAFORMA, PRESIONE EL BOTON "Abajo", QUE BEBIDA HACIA B. LUGO, LA PLATAFORMA SE BAJARA HACIENDO CUANDO LOS BORDOS DE LA PLATAFORMA COMIENCEN A TOCAR EL SUELO. 13. NOTA: LA PLATAFORMA SE MUEVA HACIENDO CUANDO LOS BORDOS DE LA PLATAFORMA COMIENCEN A TOCAR EL SUELO. CONTINUE HACIENDO QUE EL SUELO COMIENCEN A TOCAR LA PLATAFORMA.
 14. PARA COLOCAR LA PUERTA LEVADA DE NUEVO EN LA POSICION DE LA ENCERRADURA EN LA PLATAFORMA HACIA EL SUELO Y RETORNE LOS PASOS 1, 2, 3 Y 4 EN SENTIDO INVERSO.

ANTHONY LIFTGATES, INC.
 1037 WEST HOWARD ST. PONTIAC, IL 61764

A-131045-C

216

URGENT WARNING
ELECTRICAL INSTRUCTIONS
 Before Operating Lift, Be Sure You Understand the Following:
 1. Read and understand the instructions...
 2. Make sure the correct fuse and correct breaker setting are used...
 3. Make sure the correct power source is used...
 4. Make sure the correct voltage is used...
 5. Make sure the correct current is used...
 6. Make sure the correct frequency is used...
 7. Make sure the correct phase is used...
 8. Make sure the correct ground is used...
 9. Make sure the correct safety features are used...
 10. Make sure the correct maintenance is used...
ADVERTENCIA URGENTE
INSTRUCCIONES PARA LA CORRIENTE ELÉCTRICA
 Antes de Operar el Elevador, Asegure de Entender lo Seguido:
 1. Lea y entienda las instrucciones...
 2. Asegure de que se use el fusible correcto y la configuración correcta del interruptor...
 3. Asegure de que se use la fuente de energía correcta...
 4. Asegure de que se use el voltaje correcto...
 5. Asegure de que se use la corriente correcta...
 6. Asegure de que se use la frecuencia correcta...
 7. Asegure de que se use la fase correcta...
 8. Asegure de que se use el aterramiento correcto...
 9. Asegure de que se usen las características de seguridad...
 10. Asegure de que se usen los procedimientos de mantenimiento...

217

ANTHONY LIFTGATES, INC.
WARNING
PERSONAL INJURY HAZARD
 Operation may require user to stand on platform. To prevent injury or death of operators or bystanders:
 • Read and follow operator/owner manual for safety, operation, inspection, and maintenance instructions.
 • Do not place unstable or unsafe loads on platform.
 • Do not allow loads to extend over edge of platform.
 • Do not exceed capacity or use liftgate for anything other than intended purpose.
 • Be aware of surroundings when operating liftgate.
 • Do not allow body parts to contact moving components.
 • Ensure footing is stable and stand away from edge before raising or lowering platform.
 • Owner/operators must properly maintain liftgate.

A-131115

218

AVISO
ESTE PANEL POSTERIOR ESTÁ PROTEGIDO CON UN DISYUNTOR DE SOBRECARGA ELÉCTRICA, UBICADO, CERCA DE LA FUENTE DE ALIMENTACIÓN.

A-150238-S

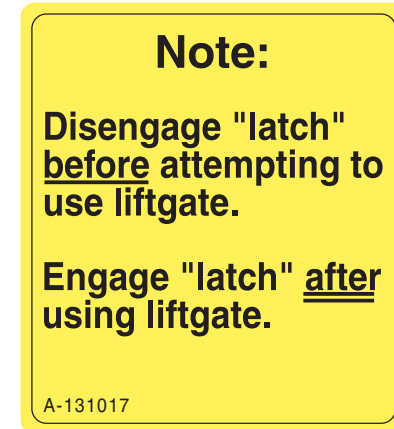
182.2 — A-140705 — ENGLISH DECAL KIT ONLY (3000LB CAPACITY)

Item	Part Number	Description	Qty.
191	ATU-147	DECAL: 3000LB MAXIMUM CAPACITY	1
199	A-131017	DECAL: NOTE - DISENGAGE LATCH	1
201	A-131028	DECAL: WELD WARNING	1
202	A-131034	DECAL: ANTHONY LABEL	1
206	A-131075	DECAL: MTU HYDRAULIC OIL LEVEL	1
211	A-150601	DECAL: MADE IN THE USA	1
212	ATU-141	DECAL: AFTER USING LIFTGATE	2
214	A-131045	DECAL: OPERATING INSTRUCTIONS	1
217	A-131115	DECAL: WARNING - PERSONAL INJURY	1
218	A-150238	DECAL: NOTICE - PROTECTED WITH ELECTRICAL OVERLOAD CIRCUIT BREAKER	1

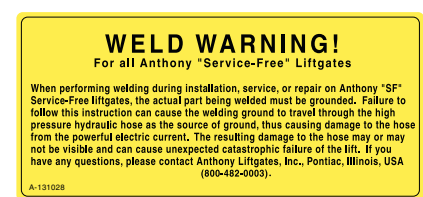
191



199



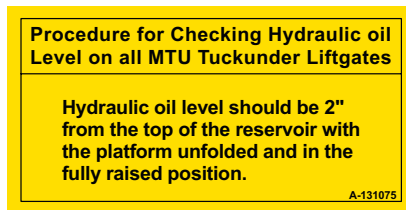
201



202



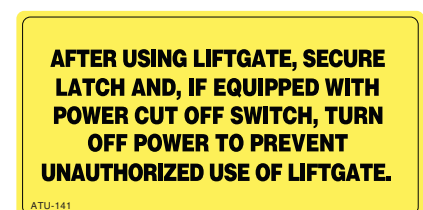
206



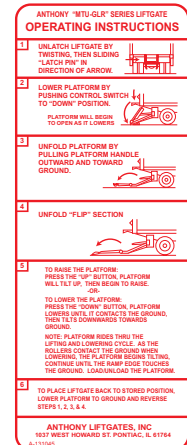
211



212



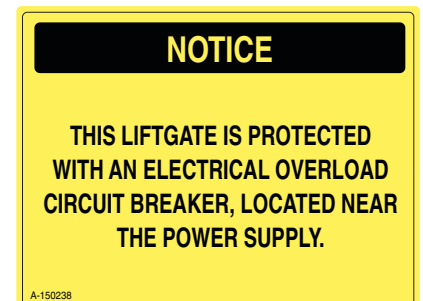
214



217



218



181.4 — A-140121 — ENGLISH DECAL/INSTALL KIT (4000LB CAPACITY)

Item	Part Number	Description	Qty.
156.4	A-133063	FUSE, 200A (not shown)	1
181.91	L-401	MTU-GLR INSTALLATION AND OPERATION MANUAL (not shown)	1
192	A-171433	DECAL: 4000LB MAXIMUM CAPACITY	1
199	A-131017	DECAL: NOTE - DISENGAGE LATCH	1
201	A-131028	DECAL: WELD WARNING	1
212	ATU-141	DECAL: AFTER USING LIFTGATE	2
213	ATU-146	DECAL: STAND CLEAR	2
214	A-131045	DECAL: OPERATING INSTRUCTIONS	1
216	Q-003013	DECAL: URGENT WARNING	1
217	A-131115	DECAL: WARNING - PERSONAL INJURY	2
218	A-150238	DECAL: NOTICE - PROTECTED WITH ELECTRICAL OVERLOAD CIRCUIT BREAKER	1
—	ATU-071	LEVELING SHIM (not shown)	6

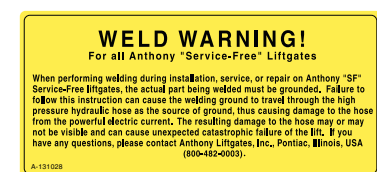
192



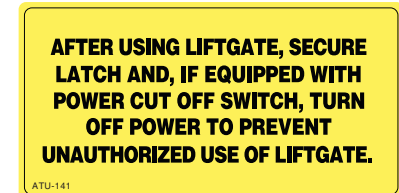
199



201



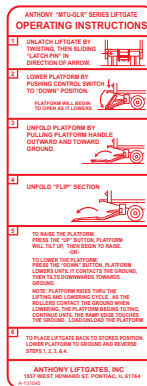
212



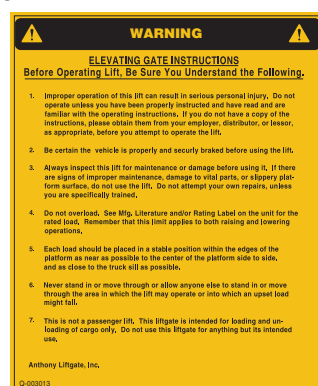
213



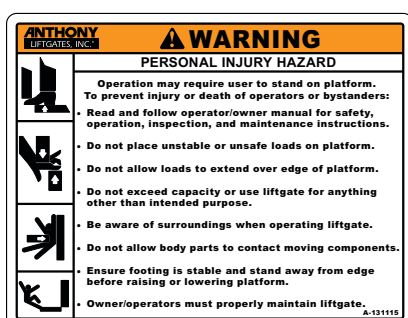
214



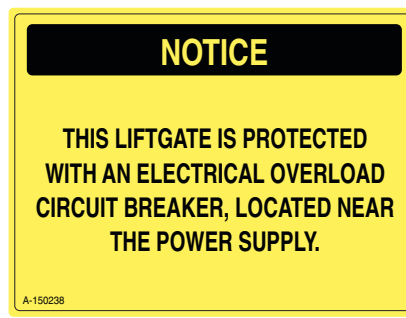
216



217



218



181.5 — A-140121-S — SPANISH DECAL/INSTALL KIT (4000LB CAPACITY)

Item	Part Number	Description	Qty.
156.4	A-133063	FUSE, 200A (not shown)	1
181.91	L-401	MTU-GLR INSTALLATION AND OPERATION MANUAL (not shown)	1
192	A-171433	DECAL: 4000LB/1800KG MAXIMUM CAPACITY	1
199	A-131017-S	DECAL: NOTE - DISENGAGE LATCH	1
201	A-131057	DECAL: WELD WARNING	1
212	A-131053-C	DECAL: AFTER USING LIFTGATE	2
213	A-131052-C	DECAL: STAND CLEAR	2
214	A-131045-C	DECAL: OPERATING INSTRUCTIONS	1
216	A-131054-C	DECAL: URGENT WARNING	1
217	A-131115	DECAL: WARNING - PERSONAL INJURY	2
218	A-150238-S	DECAL: NOTICE - PROTECTED WITH ELECTRICAL OVERLOAD CIRCUIT BREAKER	1
—	ATU-071	LEVELING SHIM	6

192

MAXIMUM CAPACITY

4000 lb.

1800 kg.

CAPACIDAD MÁXIMA

A-171433-C

199

Nota:

Desenganche el "pasador" antes de intentar utilizar el panel posterior.

Enganche el "pasador" después de utilizar el panel posterior.

A-131017-S

201

WELD WARNING!

FOR ALL ANTHONY "SERVICE-FREE" LIFTGATES

When performing welding during installation, service, or repair on Anthony "SF" Service-Free Liftgates, the actual part being welded must be grounded. Failure to follow this instruction can cause the welding ground to travel through the high pressure hydraulic hose as the source of ground, thus causing damage to the hose from the powerful electric current. The resulting damage to the hose may or may not be visible and can cause unexpected, catastrophic failure of the lift. If you have any questions, please contact Anthony Liftgates, Inc., Pontiac, Illinois, (800-482-0003)

¡ADVERTENCIA ANTES DE SOLDAR!

PARA TODOS LOS ELEVADORES ANTHONY "SERVICE-FREE"

Cuando se realiza que soldar durante instalación, servicio o reparación de un elevador Anthony "SF" Service-Free, la pieza que se está soldando debe estar a tierra. El no seguir esta instrucción causará que la tierra de la máquina soldadora viaje a través de la manguera hidráulica de alta presión hasta la fuente de tierra. La intensa corriente eléctrica dañará la manguera. El daño resultante puede ser visible o invisible, y puede causar una inesperada falla catastrófica del elevador. Si usted tiene alguna pregunta al respecto, por favor contacte Anthony Liftgates, Inc., Pontiac, Illinois, USA. (800-482-0003)

A-131057

212

AFTER USING LIFTGATE, SECURE LATCH, AND IF EQUIPPED WITH POWER CUT-OFF SWITCH, TURN OFF POWER TO PREVENT UNAUTHORIZED USE OF LIFTGATE.

DESPUES DE USAR EL ELEVADOR, ASEGURE EL PESTILLO, Y SI EXISTE UN INTERRUPTOR DE CORRIENTE, ACCIONELO PARA EVITAR EL USO NO AUTORIZADO DEL ELEVADOR.

A-131053-C

213

STAND CLEAR

DO NOT RIDE ON LIFT

MANTENGASE ALEJADO

NO VIAJE EN EL ELEVADOR

A-131052-C

214

ANTHONY "MTU-GLR" SERIES LIFTGATE OPERATING INSTRUCTIONS	PUERTA LEVANTADA ANTHONY SERIE "MTU-GLR" INSTRUCCIONES DE TRABAJO
<p>1. UNLATCH LIFTGATE BY PULLING DOWN SLIDING "LATCH PIN" IN DIRECTION OF ARROW.</p>	<p>1. DESBLOQUEE LA PUERTA LEVANTADA DESPUÉS Y LUEGO, DESLIZANDO EL "PASADOR DEL SEGURO" EN LA DIRECCIÓN INDICADA POR LA FLECHA.</p>
<p>2. LOWER PLATFORM BY PUSHING CONTROL SWITCH TO "DOWN" POSITION. PLATFORM WILL BEGIN TO OPERATE & LOWER.</p>	<p>2. EMPLEE EL INTERRUPTOR DE CONTROL HACIA "DOWN" (ABAJO) PARA BAJAR LA PLATAFORMA. LA PLATAFORMA COMENZARÁ A BAJARSE A MENOS QUE SEA A...</p>
<p>3. UNFOLD PLATFORM BY PULLING PLATFORM HANDLE OUTWARD AND TOWARD GROUND.</p>	<p>3. DESPLIEGUE LA PLATAFORMA TRAJENDO EL BOTÓN DE PALANCA DE LA PLATAFORMA HACIA AFUERA Y HACIA EL SUELO.</p>
<p>4. UNFOLD "FLIP" SECTION.</p>	<p>4. DESPLIEGUE LA SECCIÓN "ABATIBLE".</p>
<p>5. TO RAISE THE PLATFORM, PRESS THE "UP" BUTTON. PLATFORM WILL LIFT UP. THEN BEGIN TO RAISE. OR:</p> <p>TO LOWER THE PLATFORM, PRESS THE "DOWN" BUTTON. PLATFORM WILL LOWER. IT CONTACTS THE GROUND, THEN IT IS DOWNWARD TOWARDS GROUND.</p> <p>NOTE: PLATFORM RIDES THRU THE UP/FLIP AND LOWERING CYCLE AS THE ROLLER CONTACTS THE GROUND WHEN LOWERING. THE PLATFORM BEGINS TO ROLL CONTINUE TO ROLL UNTIL YOU REACH THE GROUND. LOWERING THE PLATFORM.</p>	<p>5. PARA LEVANTAR LA PLATAFORMA, PRESIONE EL BOTÓN DE PALANCA "UP" (ARREBA). LA PLATAFORMA SE INCLINARÁ HACIA ARRIBA Y LUEGO, COMENZARÁ A BAJARSE.</p> <p>PARA BAJAR LA PLATAFORMA, PRESIONE EL BOTÓN DE CONTROL "DOWN" (ABAJO). LA PLATAFORMA SE DESPLAZA DURANTE TODOS LOS CICLOS DE BAJADA (DESCEEN) EN EL SUELO O BAJAR. LA PLATAFORMA COMENZARÁ A INCLINARSE "CONTINUA HACIA ATRÁS" DE LA PLATAFORMA TOQUE EL SUELO O BAJAR LA PLATAFORMA.</p>
<p>6. UNFOLD PLATFORM BACK TO STORED POSITION. L. LOWER PLATFORM TO GROUND AND REVERSE STEPS 1, 2, 3 & 4.</p>	<p>6. PARA COLOCAR LA PUERTA LEVANTADA OTRA VEZ EN LA POSICIÓN DE ALMACENAMIENTO, BAJE LA PLATAFORMA HACIA EL SUELO Y REPITA LOS PASOS 1, 2, 3 Y 4.</p>
<p>ANTHONY LIFTGATES, INC. 1037 WEST HOWARD ST. PONTIAC, IL 61764</p> <p style="text-align: right; font-size: 8px;">A-101042</p>	

216

URGENT WARNING

ELEVATING GATE RESTRICTIONS

Before Operating Lift, Be Sure You Understand the Following:

1. Always operate the lift on a firm, level surface. Do not operate on uneven, slippery, or unstable surfaces. Do not operate on wet, icy, or snow-covered surfaces. Do not operate on soft or loose ground. Do not operate on surfaces that are not designed for the lift.
2. Do not exceed the rated capacity. Do not exceed the rated capacity of the lift. Do not exceed the rated capacity of the lift. Do not exceed the rated capacity of the lift.
3. Always inspect the lift for damage or wear before using. Do not use a lift that is damaged or worn. Do not use a lift that is damaged or worn. Do not use a lift that is damaged or worn.
4. Do not operate the lift with any modifications. Do not operate the lift with any modifications. Do not operate the lift with any modifications.
5. Do not operate the lift with any modifications. Do not operate the lift with any modifications. Do not operate the lift with any modifications.
6. Do not operate the lift with any modifications. Do not operate the lift with any modifications. Do not operate the lift with any modifications.
7. Do not operate the lift with any modifications. Do not operate the lift with any modifications. Do not operate the lift with any modifications.
8. Do not operate the lift with any modifications. Do not operate the lift with any modifications. Do not operate the lift with any modifications.
9. Do not operate the lift with any modifications. Do not operate the lift with any modifications. Do not operate the lift with any modifications.
10. Do not operate the lift with any modifications. Do not operate the lift with any modifications. Do not operate the lift with any modifications.

ADVERTENCIA URGENTE

RESTRICCIONES PARA LA PLATAFORMA ELEVADORA

Antes de Operar el Elevador, Asegúrese de Entender lo Siguinte:

1. Siempre opere el elevador en una superficie firme, nivelada y estable. No opere en superficies irregulares, resbaladizas o inestables. No opere en superficies húmedas, heladas o con nieve. No opere en superficies blandas o sueltas. No opere en superficies que no estén diseñadas para el elevador.
2. No exceda la capacidad nominal. No exceda la capacidad nominal del elevador. No exceda la capacidad nominal del elevador. No exceda la capacidad nominal del elevador.
3. Siempre inspeccione el elevador antes de usarlo. No use un elevador que esté dañado o desgastado. No use un elevador que esté dañado o desgastado. No use un elevador que esté dañado o desgastado.
4. No opere el elevador con modificaciones. No opere el elevador con modificaciones. No opere el elevador con modificaciones.
5. No opere el elevador con modificaciones. No opere el elevador con modificaciones. No opere el elevador con modificaciones.
6. No opere el elevador con modificaciones. No opere el elevador con modificaciones. No opere el elevador con modificaciones.
7. No opere el elevador con modificaciones. No opere el elevador con modificaciones. No opere el elevador con modificaciones.
8. No opere el elevador con modificaciones. No opere el elevador con modificaciones. No opere el elevador con modificaciones.
9. No opere el elevador con modificaciones. No opere el elevador con modificaciones. No opere el elevador con modificaciones.
10. No opere el elevador con modificaciones. No opere el elevador con modificaciones. No opere el elevador con modificaciones.

217

ANTHONY LIFTGATES, INC.

WARNING

PERSONAL INJURY HAZARD

Operation may require user to stand on platform. To prevent injury or death of operators or bystanders:

Read and follow operator/owner manual for safety, operation, inspection, and maintenance instructions.

- Do not place unstable or unsafe loads on platform.
- Do not allow loads to extend over edge of platform.
- Do not exceed capacity or use liftgate for anything other than intended purpose.
- Be aware of surroundings when operating liftgate.
- Do not allow body parts to contact moving components.
- Ensure footing is stable and stand away from edge before raising or lowering platform.
- Owner/operators must properly maintain liftgate.

A-131115

218

AVISO

ESTE PANEL POSTERIOR ESTÁ PROTEGIDO CON UN DISYUNTOR DE SOBRECARGA ELÉCTRICA, UBICADO, CERCA DE LA FUENTE DE ALIMENTACIÓN.

A-150238-S

182.3 — A-140706 — ENGLISH DECAL KIT ONLY (4000LB CAPACITY)

Item	Part Number	Description	Qty.
192	A-171433	DECAL: 4000LB MAXIMUM CAPACITY	1
199	A-131017	DECAL: NOTE - DISENGAGE LATCH	1
201	A-131028	DECAL: WELD WARNING	1
202	A-131034	DECAL: ANTHONY LABEL	1
206	A-131075	DECAL: MTU HYDRAULIC OIL LEVEL	1
211	A-150601	DECAL: MADE IN THE USA	1
212	ATU-141	DECAL: AFTER USING LIFTGATE	2
214	A-131045	DECAL: OPERATING INSTRUCTIONS	1
217	A-131115	DECAL: WARNING, PERSONAL INJURY	2
218	A-150238	DECAL: NOTICE, PROTECTED WITH ELECTRICAL OVERLOAD CIRCUIT BREAKER	1

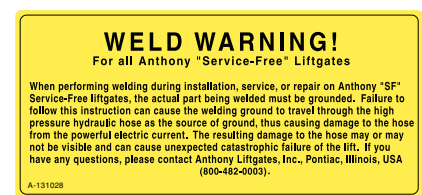
192



199



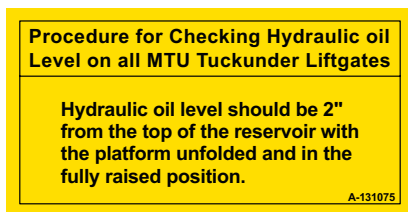
201



202



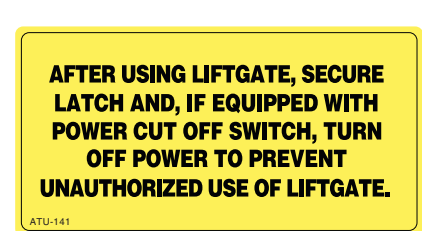
206



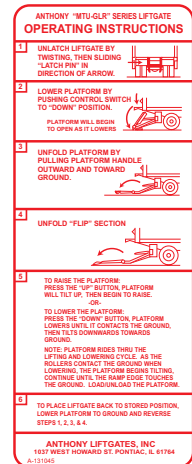
211



212



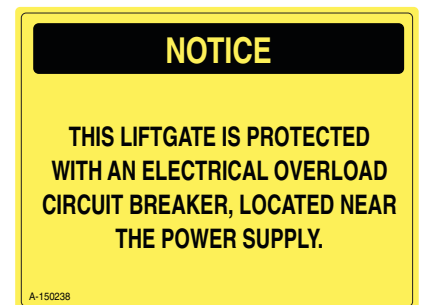
214



217



218



ANTHONY
LIFTGATES, INC.®

MTU-GLR-3-4



ANTHONY LIFTGATES, INC.
1037 W. HOWARD ST. • P.O. BOX 615
PONTIAC, IL 61764-0615
PH: 815-842-3383
FAX: 815-844-3612
TOLL FREE: 800-482-0003
WWW.ANTHONYLIFTGATES.COM