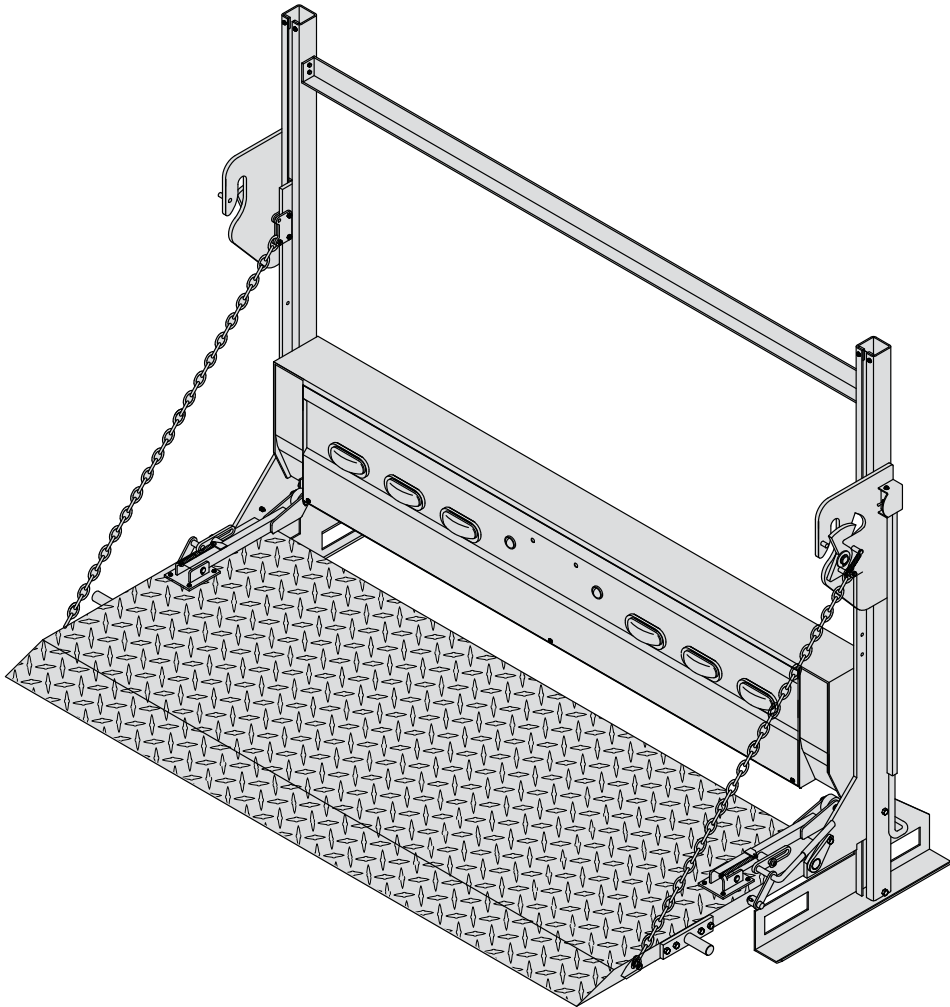


ANTHONY LIFTGATES, INC.

KEEP IN VEHICLE
WITH LIFTGATE

Parts Manual

For Medium RailTrac® PCR Hydraulic Liftgates



MODELS

PCR-1800-94

PCR-1800-94-AB

PCR-1800-94A

PCR-1800-94A-AB

PCR-2500-94

PCR-2500-94-AB

PCR-2500-94A

PCR-2500-94A-AB

PCR-3000-94-HC

PCR-2500-94-GB

PCR-2500-94-GB-AB

ANTHONY
LIFTGATES, INC.®

Anthony Liftgates, Inc.
1037 W. Howard Street • P.O. Box 615 • Pontiac, IL 61764-0615
Ph: 815.842.3383 • Fax: 815.844.3612 • Toll Free: 800.482.0003
www.anthonyliftgates.com

Contents

| | |
|--|----|
| Introduction | 2 |
| Safety | 3 |
| Safety Is Your Responsibility | 3 |
| Nomenclature | 4 |
| Platform Nomenclature | 4 |
| Power Unit Nomenclature | 4 |
| General Information | 5 |
| Platform Measurements | 5 |
| Decals | 5 |
| Ordering Parts | 5 |
| Power Close RailTrac Liftgate Service Parts | 6 |
| Power Close RailTrac Available Platforms | 15 |
| Hydraulic Cylinder Service Parts | 16 |
| Power Unit Service Parts | 17 |
| Decals | 18 |

Some special-purpose platforms and liftgates use special parts that may not be listed in this manual. Contact the factory for exact items if not shown.

Introduction

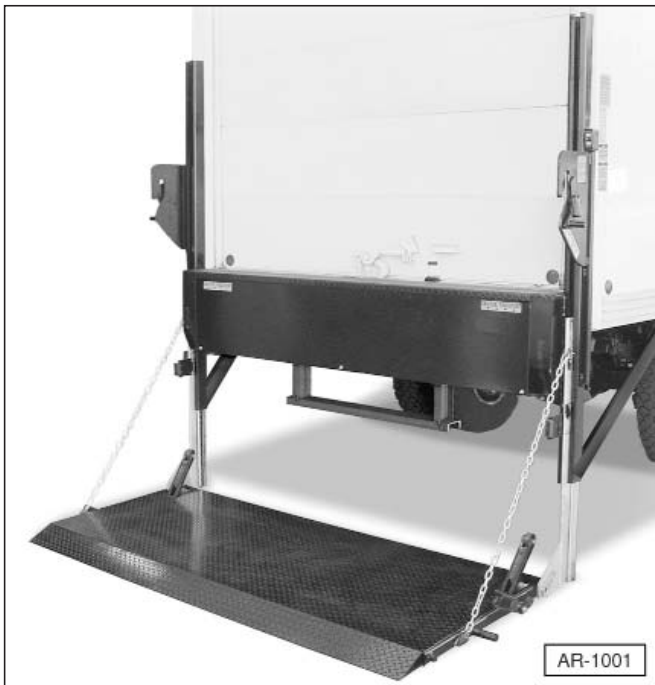
Congratulations on selecting an Anthony Power Close RailTrac® Liftgate. Anthony Liftgates are among the finest liftgates available on the market today, and to ensure your liftgate will perform to your expectations, we have furnished this manual to provide you with the necessary instructions to order service parts and decals for the PCR models of Anthony Liftgates:

Installation, Operation, Troubleshooting, and Maintenance manual for Power Close RailTrac (PCR) Liftgates - Form No. L-202 PCR-IO-08-08.

Parts manual for Power Close RailTrac (PCR) Liftgates - Form No. PCR-P-02/13

This Parts Manual contains part numbers for present PCR Anthony Liftgates. The parts illustrated in the parts drawings are representative of typical parts used in the actual Power Close RailTrac Liftgate, and may not look exactly like the part(s) on your liftgate. Part numbers and drawings are subject to change without notice. At the bottom of each page is the Anthony Liftgates Inc. Product Support phone number to call for questions concerning parts.

All Anthony Power Close RailTrac model liftgates are factory assembled, tested, and energized to assure the highest quality performance standards. Liftgates are shipped completely assembled for fast, clean, and easy installation.



Safety

Safety Is Your Responsibility

Anthony Liftgates cannot anticipate every possible circumstance that might involve a potential hazard. The warnings in this manual and on the product itself are, therefore, not all inclusive. If tools, procedures, work methods, or operating techniques that are not specifically mentioned by Anthony Liftgates are used, you must satisfy yourself that it is safe for you and for others. Make sure the product or truck the liftgate is mounted onto will not be damaged or made unsafe by any operation, lubrication, maintenance, or repair procedures that you choose.

DO NOT proceed, if any doubt arises about the correct or safe method of performing anything found in this or other Anthony Liftgates manuals. Seek out expert assistance from a qualified person before continuing.

DANGER



To avoid personal injury or death, carefully read and understand all instructions pertaining to the Anthony Liftgates product. Do not attempt to install, operate, or maintain our product without fully understanding all our instructions and safety precautions. Do not operate or work on a truck or liftgate unless you read and understand the instructions and warnings in Installation, Operation, and Maintenance manual.

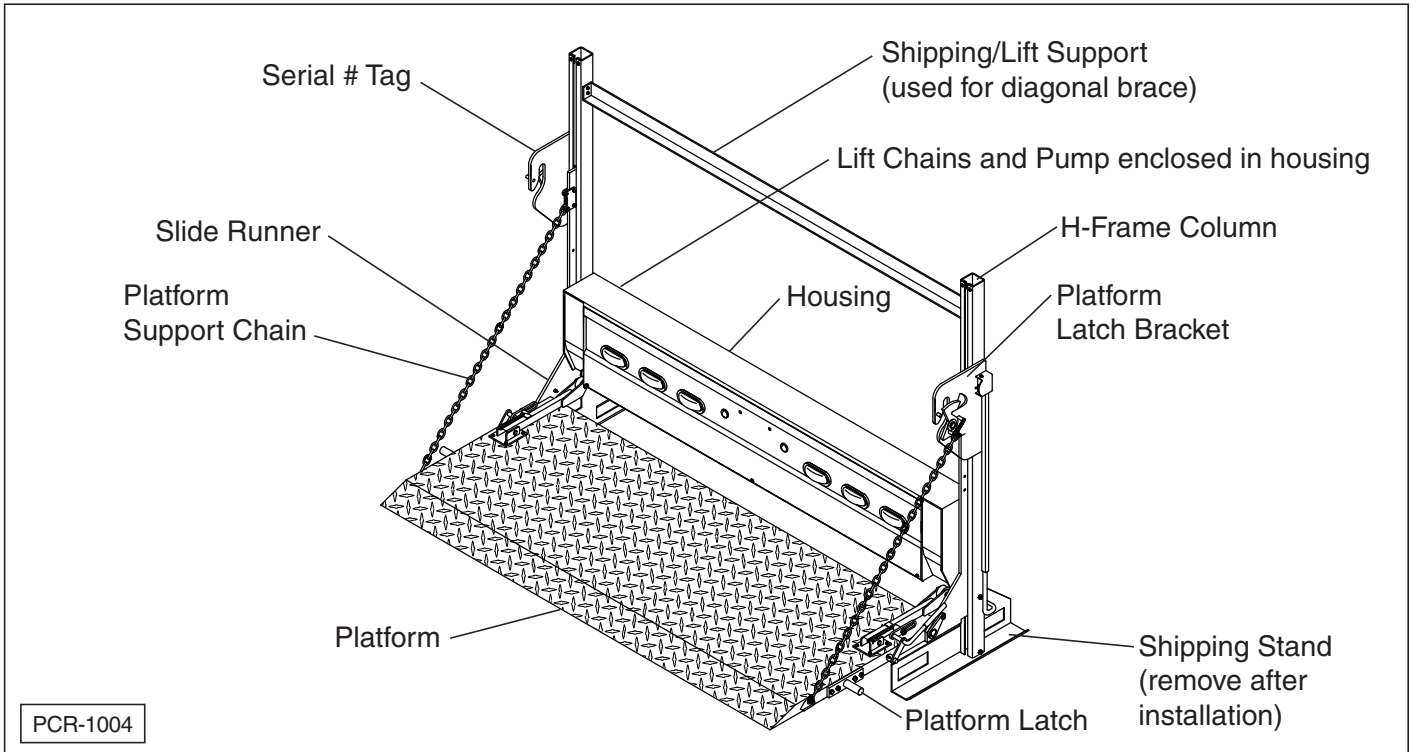
If any doubt or question arises about the correct or safe method of performing anything found in this or other manuals from Anthony Liftgates, contact your Anthony Liftgates dealer or call the Inside Sales and Service representatives at our main headquarters (815-842-3383). Proper care is your responsibility.

DANGER

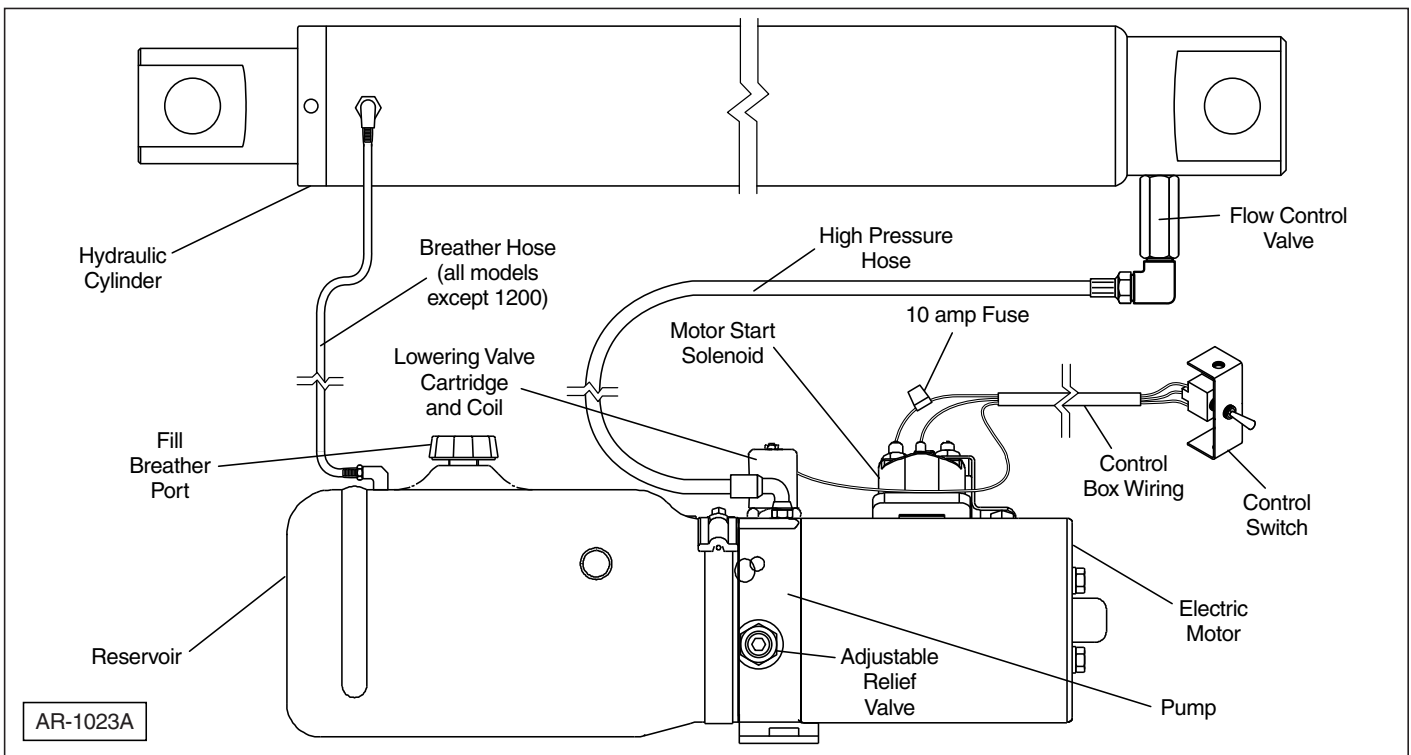


Most accidents involving the operation, maintenance, or repair of products made by Anthony Liftgates occur because the owner/operator failed to observe basic safety rules or operating instructions. An accident can often be avoided by being alert and recognizing potentially hazardous situations. Any individuals operating, maintaining, or repairing products manufactured by Anthony Liftgates should have the necessary training, skills, and tools required to perform the functions properly and safely. The safety information in this manual serves as a basic guide in an attempt to prevent injury or death.

Nomenclature



Platform nomenclature.

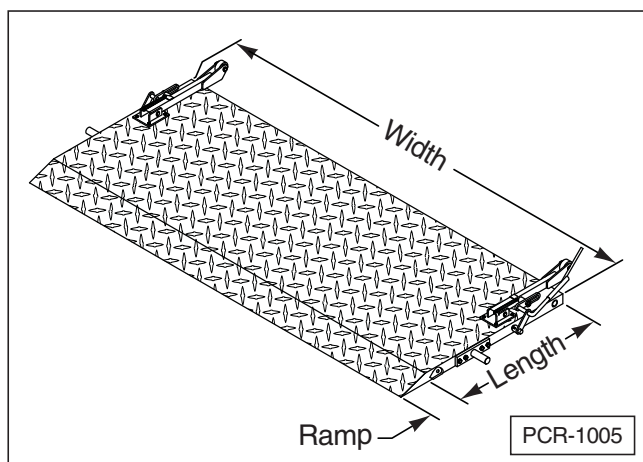


Power unit nomenclature.

General Information

Platform Measurements

The measurements listed for a platform represent the overall size of the liftgate platform and not the size of the individual part. The width is listed first, followed by the length. The final number, (+5) for example, is the length of the ramp. Compare the measurements of your liftgate with the measurements listed in this parts manual to determine the correct replacement part(s). Also take into consideration the model number, if listed, when ordering parts.



Width x Length + Ramp

Decals



Safety decals provide a vital role in helping to reduce injuries or possibly even death. To ensure the greatest level of safety, all decals must be in place and legible at all times. Remember, it is the users responsibility to maintain these decals. For a complete list and illustration of the decals used on the Power Close RailTrac liftgate, refer to the Decals section in this manual.

For replacement decals contact:

Anthony Liftgates, Inc.

1037 West Howard Street

Pontiac, Illinois 61764

(815) 842-3383

Web: www.anthonyliftgates.com

Email: Sales@anthonyliftgates.com

Ordering Parts

We manufacture a quality liftgate that requires very little maintenance or repair. However, should a part break or become damaged our knowledgeable staff can make sure you receive the part(s) to put your liftgate back into operation.

For questions or to order parts, contact:

Anthony Liftgates, Inc.

1037 West Howard Street

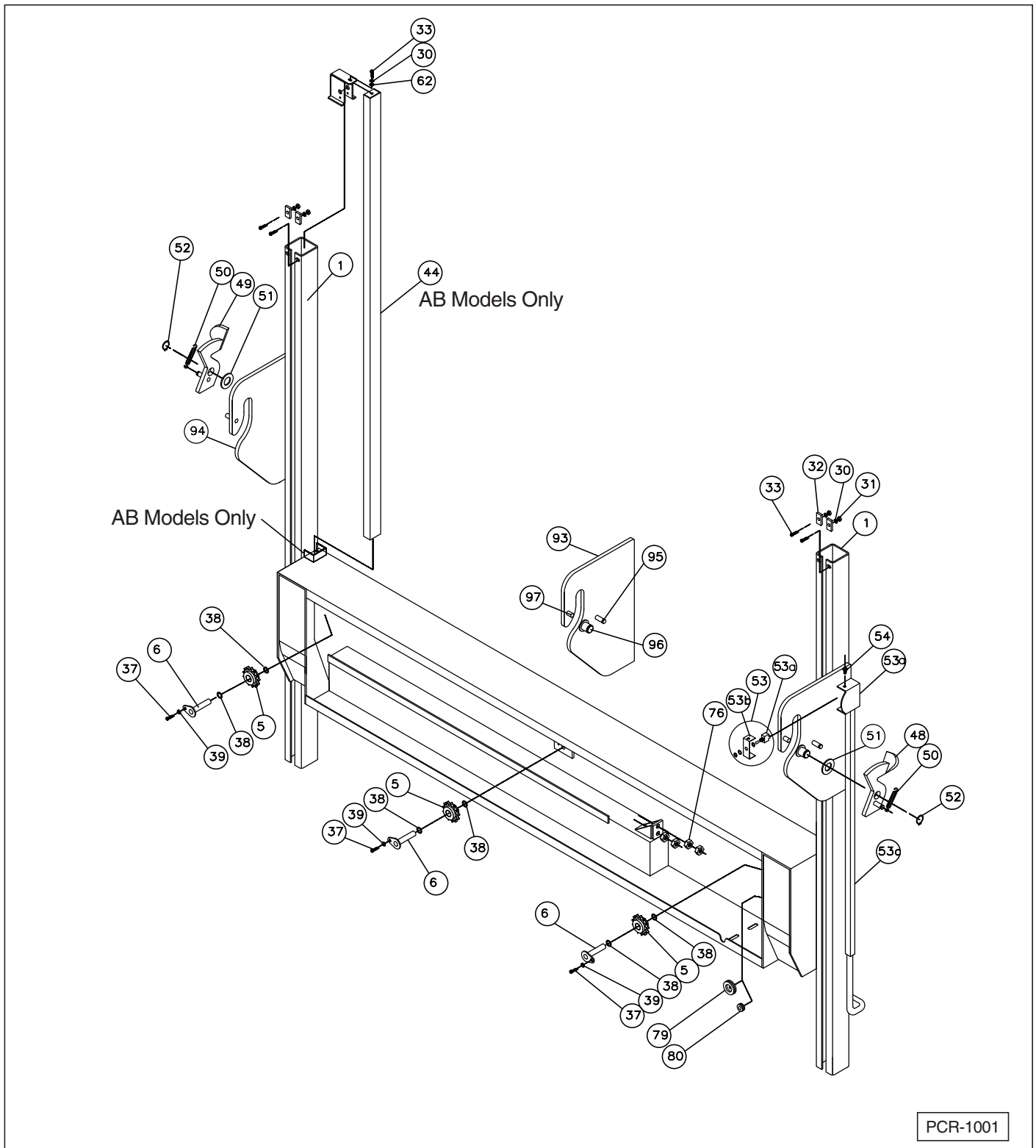
Pontiac, Illinois 61764

(815) 842-3383

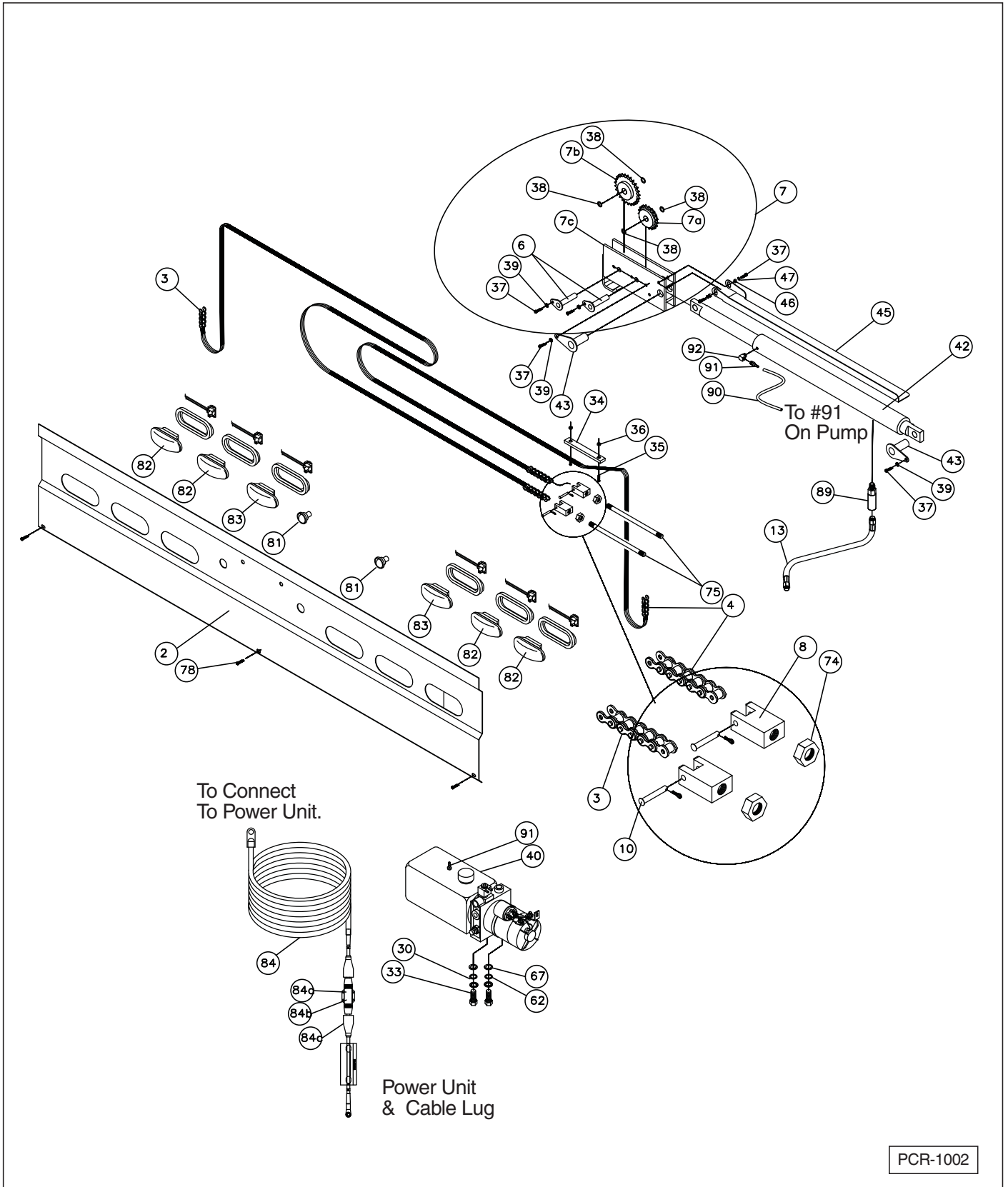
Web: www.anthonyliftgates.com

Email: Sales@anthonyliftgates.com

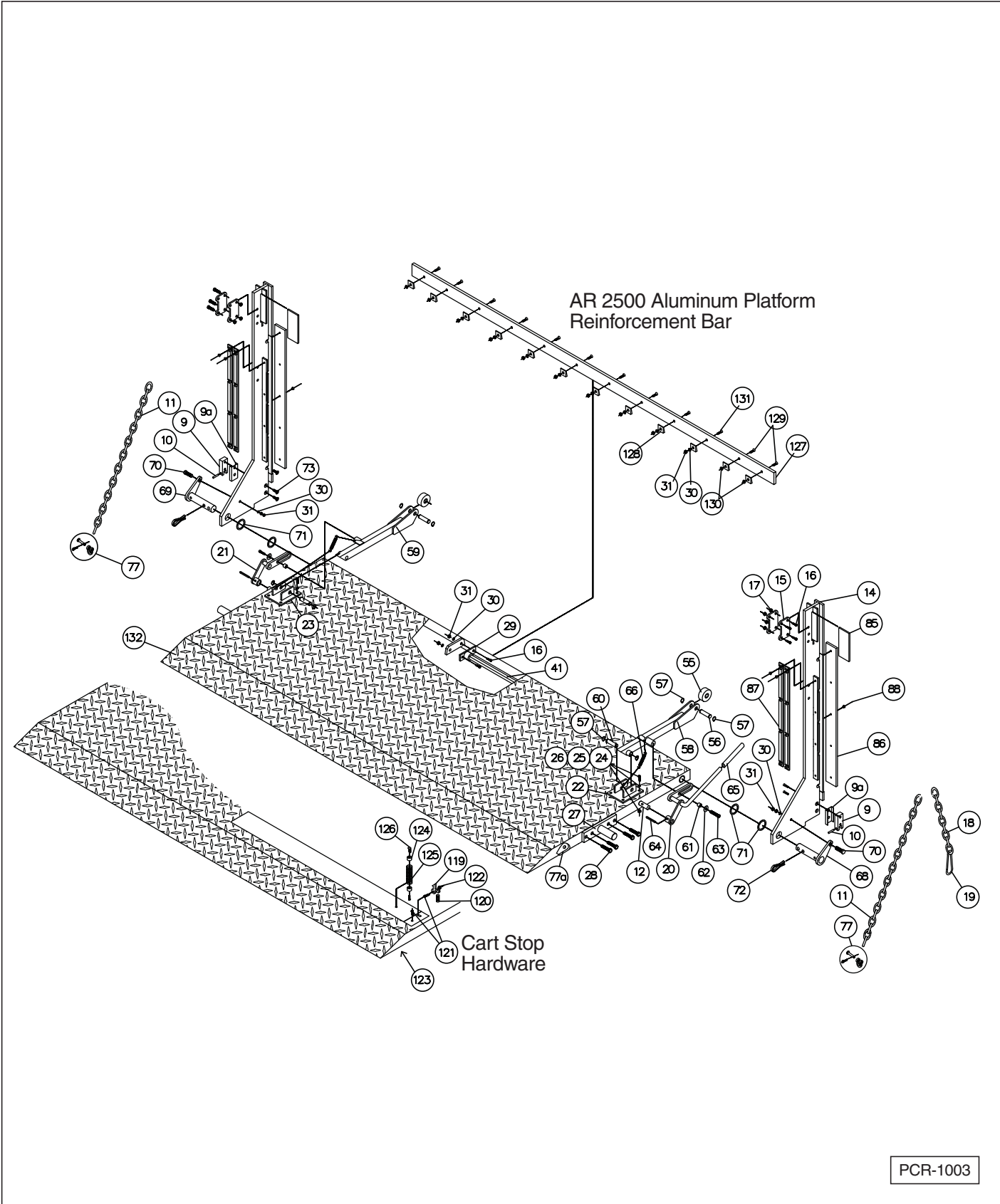
Power Close RailTrac Liftgate Service Parts



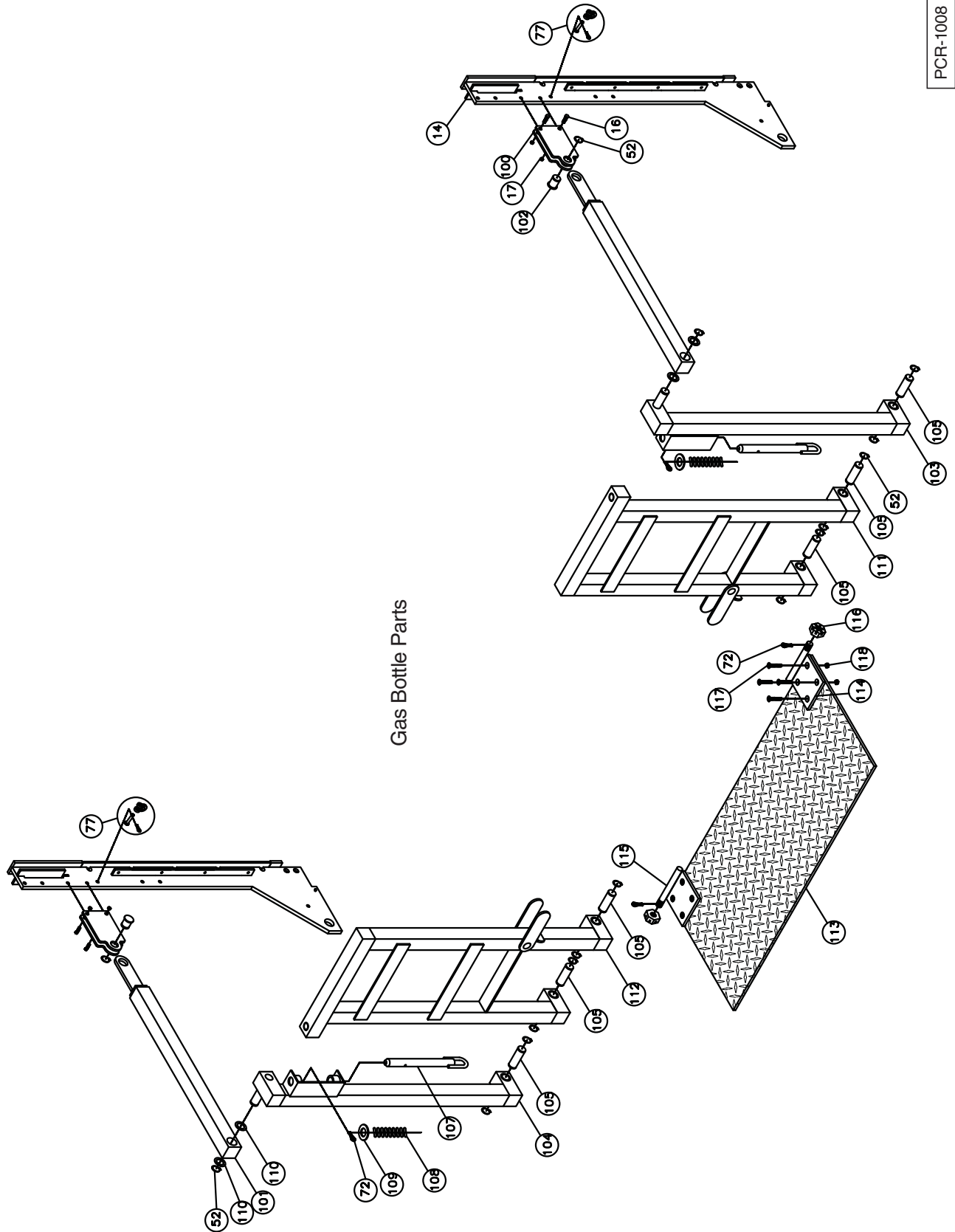
Power Close RailTrac Liftgate



Power Close RailTrac Liftgate



Power Close RailTrac Liftgate



Gas Bottle Parts

Power Close RailTrac Liftgate

POWER CLOSE RAILTRAC LIFTGATE SERVICE PARTS

| Item | Part No. | Description | Qty. |
|-------------|---|---|--------------|
| 1 | PCR-188 | H-FRAME WELDMENT - 90" WIDE BED HEIGHT | 1 |
| | PCR-185 | H-FRAME WELDMENT - 94" WIDE BED HEIGHT | |
| | PCR-185-G | H-FRAME WELDMENT - 94" WIDE BED HEIGHT GALVANIZED | |
| | PCR-189 | H-FRAME WELDMENT - 100" WIDE BED HEIGHT | |
| | PCR-108 | H-FRAME WELDLMENT - 90" WIDE ABOVE BED | |
| | PCR-106 | H-FRAME WELDMENT - 94" WIDE ABOVE BED | |
| | PCR-109 | H-FRAME WELDMENT - 100" WIDE ABOVE BED | |
| 2 | PCR-201 | HOUSING COVER - 90" WIDE | 1 |
| | PCR-147 | HOUSING COVER - 94" WIDE | |
| | PCR-147-G | HOUSING COVER - 94" WIDE GALVANIZED | |
| | PCR-202 | HOUSING COVER - 100' WIDE | |
| 3 | AR-18-140 | #50 STREETSIDE CHAIN - 90" WIDE BH (1800) | 1 |
| | AR-18-139 | #50 STREETSIDE CHAIN - 94" WIDE BH (1800) | |
| | AR-18-546 | #50 STREETSIDE CHAIN - 100" WIDE BH (1800) | |
| | AR-18-176 | #50 STREETSIDE CHAIN - 90" WIDE AB (1800) | |
| | AR-18-64 | #50 STREETSIDE CHAIN - 94" WIDE AB (1800) | |
| | AR-18-545 | #50 STREETSIDE CHAIN - 100" WIDE AB (1800) | |
| | AR-18-292 | #60 STREETSIDE CHAIN - 90" WIDE BH (2500) | |
| | AR-18-270 | #60 STREETSIDE CHAIN - 94" WIDE BH (2500) | |
| | AR-18-547 | #60 STREETSIDE CHAIN - 100" WIDE BH (2500) | |
| | AR-18-293 | #60 STREETSIDE CHAIN - 90" WIDE AB (2500) | |
| | AR-18-272 | #60 STREETSIDE CHAIN - 94" WIDE AB (2500) | |
| | AR-18-548 | #60 STREETSIDE CHAIN - 100" WIDE AB (2500) | |
| | AR-18-557 | LEAF STREETSIDE CHAIN - 90" WIDE BH HCR/3000 | |
| | AR-18-217 | LEAF STREETSIDE CHAIN - 94" WIDE BH HCR/3000 | |
| | AR-18-558 | LEAF STREETSIDE CHAIN - 100" WIDE BH HCR/3000 | |
| | AR-18-554 | LEAF STREETSIDE CHAIN - 90" WIDE AB HCR/3000 | |
| | AR-18-555 | LEAF STREETSIDE CHAIN - 94" WIDE AB HCR/3000 | |
| AR-18-556 | LEAF STREETSIDE CHAIN - 100" WIDE AB HCR/3000 | | |
| 4 | AR-18-138 | #50 CURBSIDE CHAIN - ALL WIDTHS BH (1800) | 1 |
| | AR-18-549 | #50 CURBSIDE CHAIN - ALL WIDTHS AB (1800) | |
| | AR-18-269 | #60 CURBSIDE CHAIN - ALL WIDTHS BH (2500) | |
| | AR-18-271 | #60 CURBSIDE CHAIN - ALL WIDTHS AB (2500) | |
| | AR-18-216 | LEAF CURBSIDE CHAIN - ALL WIDTHS BH HCR/3000 | |
| | AR-18-553 | LEAF CURBSIDE CHAIN - ALL WIDTHS AB HCR/3000 | |
| 5 | AR-18-115 | 13 TOOTH HOUSING SPROCKET (1800) | 3 BH 5 AB |
| | AR-18-638 | 11 TOOTH HOUSING SPROCKET (2500) | |
| | AR-18-665 | 2" HOUSING IDLER PULLEY (HCR/3000) | |
| 6 | AR-18-WS-16 | SPROCKET LOBE PIN (1800) | 3 BH 5 AB |
| | AR-18-312 | SPROCKET LOBE PIN (2500, HCR/3000) | |
| 7 | AR-18-131 | DRIVE SPROCKET BOX ASSY (1800) | 1 |
| | AR-18-664 | DRIVE SPROCKET BOX ASSY (2500) | |
| | AR-18-663 | DRIVE PULLEY BOX ASSY (HCR/3000) | |
| 7a | AR-18-116 | 19 TOOTH SPROCKET (1800) | 1 |
| | AR-18-639 | 14 TOOTH SPROCKET (2500) | |
| | AR-18-666 | 3" PULLEY (HCR/3000) | |
| 7b | AR-18-117 | 25 TOOTH SPROCKET (1800) | 1 |
| | AR-18-640 | 21 TOOTH SPROCKET (2500) | |
| | AR-18-667 | 4-3/8" PULLEY (HCR/3000) | |

| Item | Part No. | Description | Qty. |
|------|------------|---|------|
| 7c | AR-18-WS-7 | SPROCKET BOX WELDMENT ONLY | 1 |
| 8 | AR-18-189 | #50 CHAIN ANCHOR - HOUSING (1800) | 2 |
| | AR-18-306 | #60 CHAIN ANCHOR - HOUSING (2500) | |
| | AR-18-213 | LEAF CHAIN ANCHOR - HOUSING (HCR/3000) | |
| 9 | AR-18-712 | #50 CHAIN ANCHOR - RUNNER (1800) | 2 |
| | AR-18-713 | #60 CHAIN ANCHOR - RUNNER (2500) | |
| | AR-18-214 | LEAF CHAIN ANCHOR - RUNNER (HCR/3000) | |
| 9a | AR-18-800 | PIN RETAINER (#50 & #60 CHAIN ONLY) | 2 |
| 10 | A-171258 | #50 CHAIN PIN & COTTER PIN HOUSING END (1800) | 2 |
| | AR-18-807 | #50 CHAIN PIN - RUNNER END (1800) | 2 |
| | A-171306 | #60 CHAIN PIN - HOUSING END (2500) | 2 |
| | AR-18-808 | #60 CHAIN PIN - RUNNER END (2500) | 2 |
| | AR-18-215 | LEAF CHAIN CONNECTOR KIT (HCR/3000) | 4 |
| 11 | AR-18-766 | 1/4" COIL CHAIN - PLATFORM SUPPORT - ALL OTHER | 2 |
| | AR-18-339 | 1/4" COIL CHAIN - PLATFORM SUPPORT - HCR/3000 | |
| 12 | PCR-226 | ROD-CLOSER WHEEL 90" WIDE | 1 |
| | PCR-307 | ROD-CLOSER WHEEL 94" WIDE | |
| | PCR-311 | ROD-CLOSER WHEEL 100" WIDE | |
| 13 | A-130122 | PUMP PRESSURE HOSE (90" & 94") | 1 |
| | A-130124 | PUMP PRESSURE HOSE (100") | |
| 14 | PCR 357 | SLIDE RUNNER - STANDARD (RUNNER ONLY) | 2 |
| | PCR-359 | SLIDE RUNNER - STANDARD (ASSEMBLY) | |
| | PCR-358 | SLIDE RUNNER - GAS BOTTLE (RUNNER ONLY) | |
| | PCR-361 | SLIDE RUNNER - GAS BOTTLE (ASSEMBLY) | |
| 15 | AR-18-80 | PLATFORM SIDE CHAIN MOUNT-RUNNER END-GAS BOTTLE | 2 |
| | PCR-107 | PLATFORM SIDE CHAIN MOUNT-RUNNER END-ALL OTHER | 4 |
| 16 | 25 | 3/8-16 x 1.5" BOLT | 13 |
| 17 | 2064 | 3/8-16 NUT | 11 |
| 18 | AR-18-766 | 1/4" COIL CHAIN - 10 LINKS | 1-2 |
| 19 | A-132124 | 3.125" SPRING SNAP (CARABINER) GAS BOTTLE | 2 |
| | A-132124 | 3.125" SPRING SNAP (CARABINER) ALL OTHER | 1 |
| 20 | PCR-198 | CLOSER ARM HANDLE RH - GAS BOTTLE | 1 |
| | PCR-300 | CLOSER ARM HANDLE RH - ALL OTHER | |
| 21 | PCR-199 | CLOSER ARM HANDLE LH - GAS BOTTLE | 1 |
| | PCR-301 | CLOSER ARM HANDLE LH - ALL OTHER | |
| 22 | PCR-303 | CLOSER ARM BASE RH | 1 |
| 23 | PCR-304 | CLOSER ARM BASE LH | 1 |
| 24 | A-132257 | 3/8-16 x 2.5" HEX STAINLESS STEEL BOLT | 8 |
| 25 | A-132251 | M10 FLAT WASHER | 8 |
| 26 | A-132258 | 3/8-16 NYLOCK STAINLESS STEEL NUT | 8 |
| | | ALUM PLATFORMS ONLY, PIA TO STEEL PLATFORMS | |
| 29 | AR-18-325 | TORSION ROD HARDWARE: ALUM PLATFORM | 1 |
| | | SPRING LOCK PLATE | |
| 30 | 2054 | 3/8" LOCKWASHER | 20 |
| 31 | P-162 | 3/8-16 NUT | 24 |

| Item | Part No. | Description | Qty. |
|------|-------------|--|------|
| 32 | AR-18-228 | UP-STOP BLOCK (NOT ON AB MODELS) | 4 |
| 33 | 874 | 3/8-16 x 1" HEX BOLT | 8 |
| 34 | A-180056 | CORNER GLIDE STRIP (NOT ON AB MODELS) | 1 |
| 35 | 5420 | 10-32 x 1" SLOTTED RDHD SCREW | 2 |
| 36 | 3514 | 10-32 NUT | 2 |
| 37 | AR-18-166 | SPROCKET BOLT 14-28 x .5" HEX HEAD (BH/AB) | 7/9 |
| 38 | 8610 | FLAT WASHER (5/8" ID x 1.875" OD) (BH/AB) | 6/10 |
| 39 | S-016001 | 1/4" LOCKWASHER (BH/AB) | 5/7 |
| 40 | A-130116 | COMPLETE POWER UNIT (NO OIL) | 1 |
| 41 | AR-18-230 | 9/16" SQUARE TORSION ROD | 1 |
| 42 | A-130121 | CYLINDER | 1 |
| 43 | AR-18-WS-15 | CYLINDER LOBE PIN | 2 |
| 44 | AR-18-WS-9 | CHAIN GUARD (AB MODEL) | 2 |
| 45 | AR-18-676 | CYLINDER SHIELD | 1 |
| 46 | A-132100 | NYLON SPACER | 2 |
| 47 | 2051 | 1/4" FLAT WASHER | 2 |
| 48 | PCR 142 | LATCH WELDMENT RH | 1 |
| 49 | PCR-148 | LATCH WELDMENT LH | 1 |
| 50 | A-176497 | LATCH SPRING | 2 |
| 51 | A-132060 | FLAT WASHER (1"ID x 1.5"OD x .125" THICK) | 2 |
| 52 | A-150060 | 1" EXTERNAL SNAP RING | 2/16 |
| 53 | A 133087 | UP/DOWN SWITCH WIRING ASSY | 1 |
| 53a | AR-18-236 | SWITCH HOUSING | 1 |
| 53b | AR-18-235 | SWITCH PLATE | 1 |
| 53c | PCR-186 | CONTROL CORD CHANNEL | 1 |
| 54 | A-132095 | 5/16-18 x .5" FLANGE BOLT | 1 |
| 55 | PCR-120 | CLOSER WHEEL W/BUSHING | 2 |
| 56 | PCR-306 | PIN TO ARM | 2 |
| 57 | A-150023 | 5/8" HD SNAP RING | 8 |
| 58 | PCR-348 | CLOSER ARM RH | 1 |
| 59 | PCR-349 | CLOSER ARM LH | 1 |
| 60 | PCR-305 | PIN TO BASE | 2 |
| 61 | PCR-310 | SPACER | 2 |
| 62 | 2110 | 5/16" FLAT WASHER | 6 |
| 63 | A-132118 | 5/16-18 HEX SOCKET HEAD SHOULDER BOLT | 2 |
| 64 | S-070008 | 3/8" x 2" ROLL PIN | 2 |
| 65 | A-132131 | RUBBER HANDLE RH ONLY | 1 |
| 66 | A-132121 | SPRING | 2 |
| 67 | A-132011 | 3/8" EXT. HD STAR WASHER | 2 |
| 68 | AR-18-223 | PLATFORM LOBE PIN (SQ. HOLE) RH | 1 |

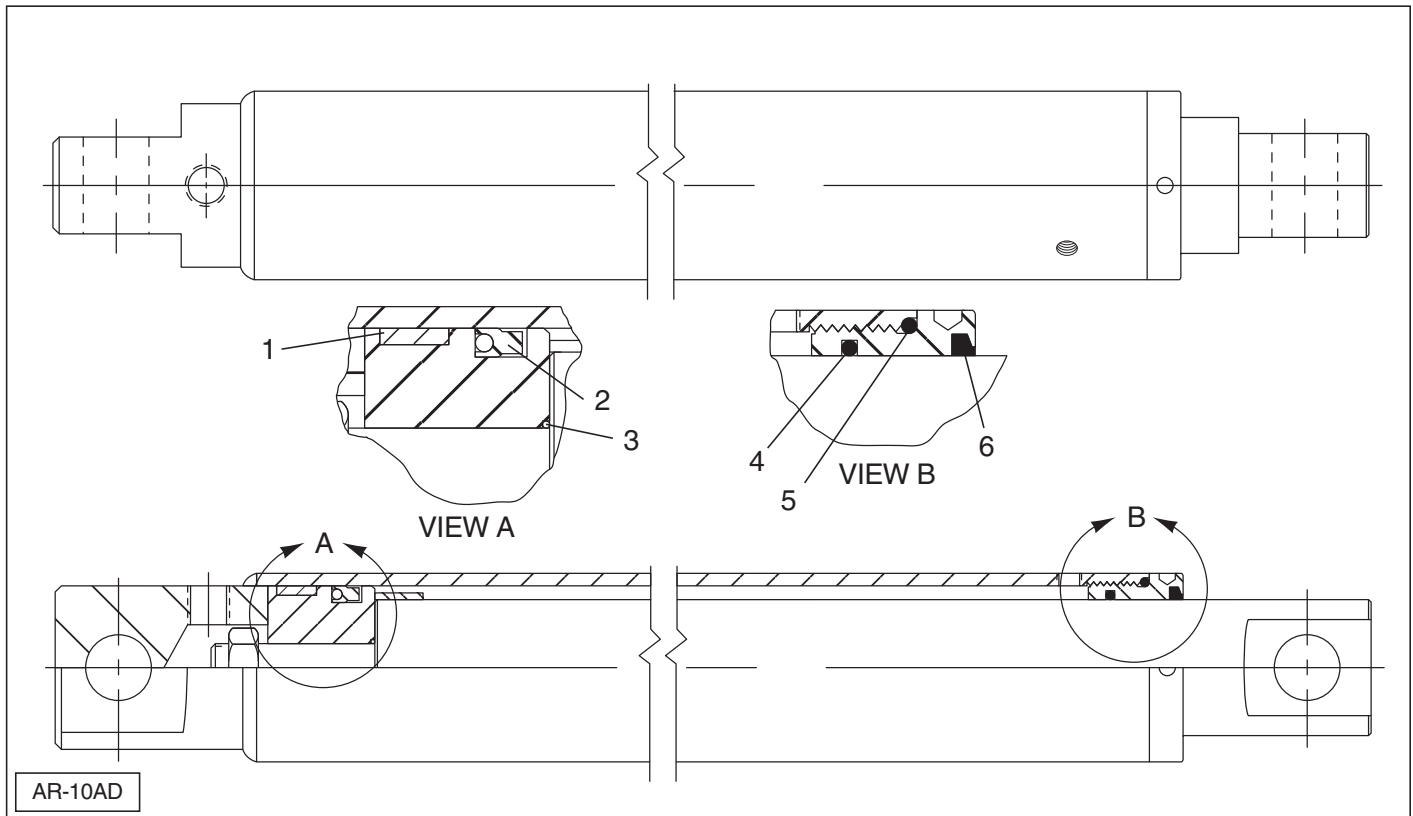
| Item | Part No. | Description | Qty. |
|------|-----------|--|------|
| 69 | PCR-161 | PLATFORM LOBE PIN LH | 1 |
| 70 | 2019 | 3/8-16 x 1.75" HEX BOLT PLATFORM LOBE PIN | 2 |
| 71 | A-146210 | 1.281"ID/1.625"OD FLAT WASHER (LOBE PIN TO PLATFORM) | 4 |
| 72 | AR-18-69 | 3/16 x 1.75" COTTER PIN | 2/4 |
| 73 | A-132048 | 3/8-16 x 1.25" FLAT HEAD CAP SCREW (RUNNER CHAIN ANCHOR TO RUNNER) | 4 |
| 74 | 751 | 5/8-18 JAM NUT-CHAIN ROD TO HOUSING ANCHOR | 2 |
| 75 | AR-18-188 | CHAIN MOUNTING ROD | 2 |
| 76 | S-010011 | 5/8-18 HEX PLATFORM ADJUSTER NUTS | 4 |
| 77 | AR-18-80 | PLATFORM SIDE CHAIN MOUNT (CLEVIS)-PLATFORM END | 2 |
| 77a | AR-18-508 | CHAIN MOUNT (ON PLATFORM) | 2 |
| 78 | 2145 | COVER FLANGE BOLT 5/16-18 x .75" | 3 |
| 79 | ATU-137 | LARGE BLACK RUBBER GROMMET | 1 |
| 80 | A-158101 | SMALL BLACK RUBBER GROMMET (15/16"OD x 7/16"ID) | 1 |
| 81 | A-150091 | LICENSE PLATE LIGHT | 2 |
| 82 | AR-18-153 | RED LIGHT KIT | 4 |
| 83 | AR-18-154 | CLEAR LIGHT KIT | 2 |
| 84 | A-133091 | PUMP/POWER UNIT POWER CORD | 1 |
| 84a | A-133062 | FUSE HOLDER | 1 |
| 84b | A-133063 | 200A FUSE | 1 |
| 84c | A-133048 | FUSE BOOT | 2 |
| 85 | AR-18-797 | UPPER WEAR PAD (RUNNER) | 2 |
| 86 | AR-18-798 | LONG WEAR PAD (RUNNER) | 2 |
| 87 | PCR-371 | SIDE WEAR STRIP (RUNNER) | 4 |
| 88 | A-132090 | 1/4" RIVET | 26 |
| 89 | A-130102 | 3 GPM RESTRICTOR VALVE | 1 |
| 90 | ATU-979 | CLEAR PLASTIC RETURN HOSE | 1 |
| 91 | ATU-124 | BRASS HOSE BARB (3/16" ID HOSE) | 1 |
| 92 | AR-18-87 | BRASS 90" ELBOW 1/8" NPT | 1 |
| 93 | PCR-101-R | LATCH PLATE WELDMENT RH | 1 |
| 94 | PCR-101-L | LATCH PLATE WELDMENT LH | 1 |
| 95 | PCR-121 | SPRING PIN | 2 |
| 96 | PCR-141 | LATCH PIVOT PIN | 2 |
| 97 | PCR-103 | STOP PIN | 2 |
| 98 | — | | |
| 99 | — | | |
| 100 | PCR-183 | HINGE PLATE TOP RAIL TO RUNNER | 4 |
| 101 | PCR-190 | TOP RAIL WELDMENT | 2 |
| 102 | A-135164 | PIN TO HINGE PLATE | 2 |
| 103 | SG-805-08 | VERTICAL FENCE RH | 1 |

| Item | Part No. | Description | Qty. |
|------|-------------------------------------|---|-------|
| 104 | SG-805-09 | VERTICAL FENCE LH | 1 |
| 105 | A-146834 | PIN TO PLATFORM | 6 |
| 107 | A-171223 | PLUNGER | 2 |
| 108 | A-171220 | SPRING | 2 |
| 109 | A-171219 | 1" FLAT WASHER | 2 |
| 110 | A-144054 | 1.5"OD x 1"ID 14GA FLAT WASHER TO TOP RAIL | 4 |
| 111 | SG-805-01 | FOLD DOWN RACK RH | 1 |
| 112 | SG-805-02 | FOLD DOWN RACK LH | 1 |
| 113 | SG-805-16 | RETENTION RAMP | 1 |
| 114 | PCR-363 | HINGE RH | 1 |
| 115 | PCR-364 | HINGE LH | 1 |
| 116 | A-132093 | 3/4-10 CASTLE NUT | 2 |
| 117 | AR-18-66 | 5/16-18 x 1.25" FLAT HEAD BOLT | 8 |
| 118 | 2114 | 5/16-18 FLANGE NUT | 8 |
| 119 | A-150903 | LATCH HOOK | 2 |
| 120 | A-150904 | 1.25" COMPRESSION SPRING | 2 |
| 121 | 6608 | 5/16-18 x 1" HEX BOLT | 4 |
| 122 | 862 | 5/16-18 LOCKNUT | 2 |
| 123 | A-132099 | 5/16-18 THREADED INSERT (NOT SHOWN) | 2 |
| 124 | A-150910 | SPRING STEM | 4 |
| 125 | A-150911 | 3.5" COMPRESSION SPRING | 2 |
| 126 | A-132031 | 5/16-18 x .75" BUTTON HEAD ALLEN BOLT | 4 |
| 127 | AR-18-569 AR-18-550 AR-18-570 | AR2500 ALUMINUM RAMPS ONLY: REINFORCING BAR (90", 10 HOLES) REINFORCING BAR (94", 12 HOLES) REINFORCING BAR (100", 12 HOLES) | 1 |
| 128 | A-132046 | BEVELED WEDGE WASHER | 10-12 |
| 129 | A-132048 | 3/8-16 x 1.25" FLAT HEAD ALLEN (OUTER 2 HOLES) | 4 |
| 130 | A-132049 | 3/8-16 JAM NUT (OUTER 2 HOLES) | 4 |
| 131 | A-132045 | 3/8-16 x 1.5" FLAT HEAD ALLEN (CENTER 6-8 HOLES) | 6-8 |
| NS | PCR-351 PCR-352 PCR-354 | INSTALLATION INSTRUCTIONS (1800) INSTALLATION INSTRUCTIONS (2500) INSTALLATION INSTRUCTIONS (HCR/3000) | 1 |
| NS | A-132079 | ZIP TIES | 10 |

POWER CLOSE RAILTRAC AVAILABLE PLATFORMS

| Item | Part No. | Platform | Description |
|-------------|-----------------|-----------------|-------------------------------------|
| 132 | PCR-153 | 1800 94 | 90x36+6 STEEL |
| | PCR-154 | 1800-90 | 86x36+6 STEEL |
| | PCR-155 | 1800-100 | 96x36+6 STEEL |
| 132 | SG-987-01 | 2500-94 | 90x36+6 STEEL |
| 132 | PCR-150 | 2500 94 | 90x42+6 STEEL |
| | PCR-151 | 2500-90 | 86x42+6 STEEL |
| | PCR-152 | 2500-100 | 96x42+6 STEEL |
| 132 | SG-1006 | 1800-94 | 90x44+12ARR STEEL |
| 132 | SG-942 | 2500-94 | 90x42+8 BAR GRATE STEEL |
| | SG-967 | 2500-94 | 90x42+8 GALV BAR GRATE STEEL |
| 132 | PCR-247 | 2500-94 | GAS BOTTLE BAR GRATE 90x31 |
| | SG-1034 | | GAS BOTTLE 4-WAY 90x31 |
| 132 | SG-985-01 | 3000-94 | 90x42+12 FIXED STEEL |
| | SG-1003 | 3000-94 | 90x48+12ARR STEEL |
| 132 | PCR-221 | 1800-90A | 86x55+12 FIXED W/CS |
| | PCR-240 | 1800-94A | 90x55+12 FIXED NO CS |
| | PCR-232 | 1800-94A | 90x55+12 FIXED W/CS |
| 132 | SG-979 | 1800-94A | 78x55+12ARR |
| 132 | PCR-233 | 2500 94A | 90x55+12 FIXED W/CS |
| | PCR-241 | 2500-94A | 90x55+12 FIXED NO CS |
| 132 | PCR-227 | 1800 94A | 90x60+12 FIXED NO CS |
| | PCR-231 | 1800-94A | 90x60+12 FIXED W/CS (WAS SG965-03) |
| | PCR-250 | 1800-100A | 96x60+12 FIXED NO CS |
| 132 | PCR-230 | 2500-94A | 90x60+12 FIXED NO CS (WAS SG962-01) |
| | SG-955 | 2500-94A | 90x60+12 FIXED W/CS |
| | SG-989 | 2500-94A | 90x60+12 FIXED |
| | SG-1017 | 2500-100A | 96x60+12 FIXED W/CS |
| 132 | SG-922 | 2500-94A | 90x60+12ARR |

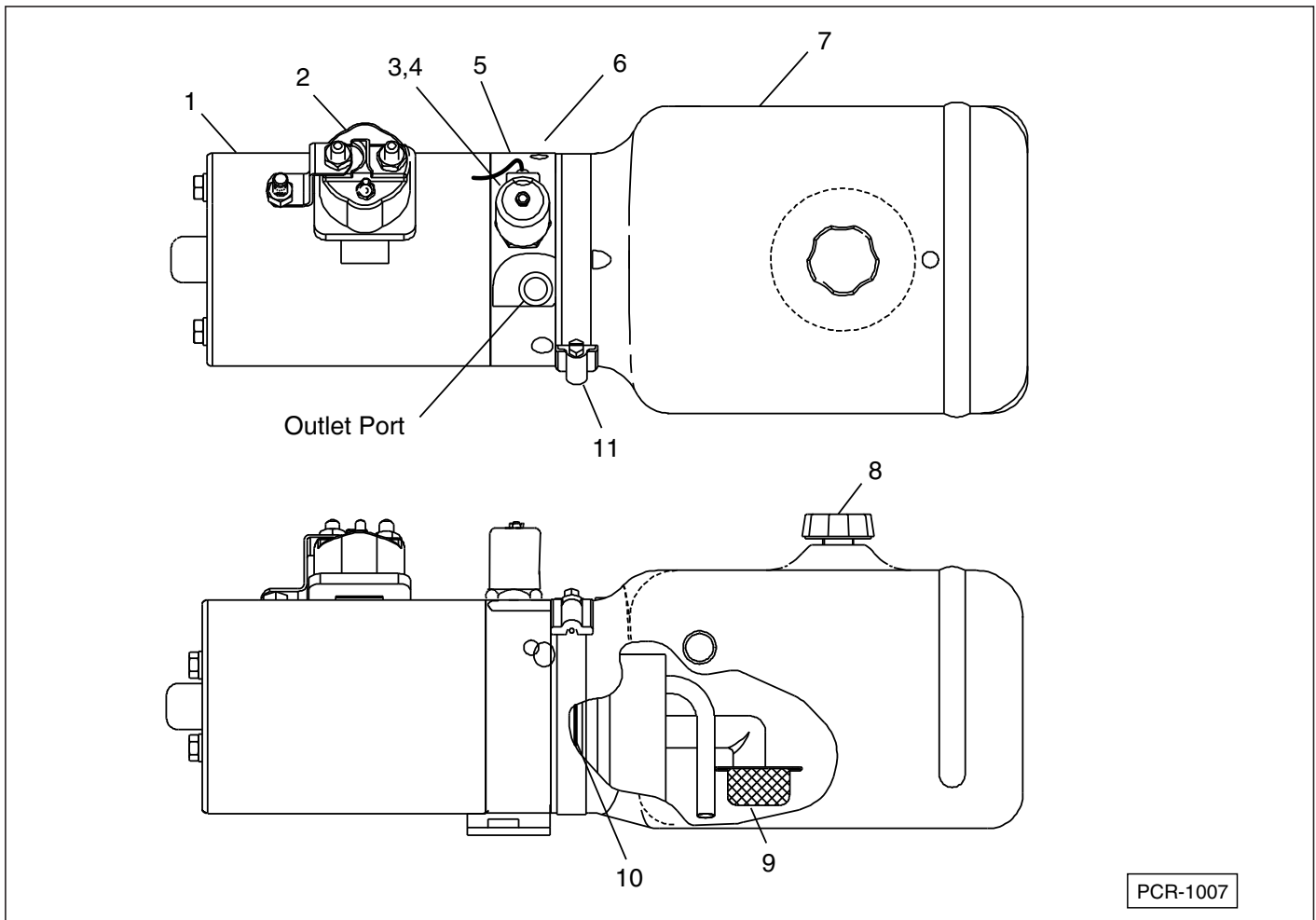
Hydraulic Cylinder Service Parts



A-130121 (SAE O-Ring Threads) Cylinder Parts List

| Item | Description | Qty | Remarks |
|------|-----------------------------|-----|---------|
| | AR-18-53 Seal Kit includes: | | |
| 1 | Wear Ring | 1 | |
| 2 | Piston Seal (polypak) | 1 | |
| 3 | Piston O-ring | 1 | |
| 4 | Gland Nut O-ring (internal) | 1 | |
| 5 | Gland Nut O-ring (external) | 1 | |
| 6 | Rod Wiper | 1 | |

Power Unit Service Parts

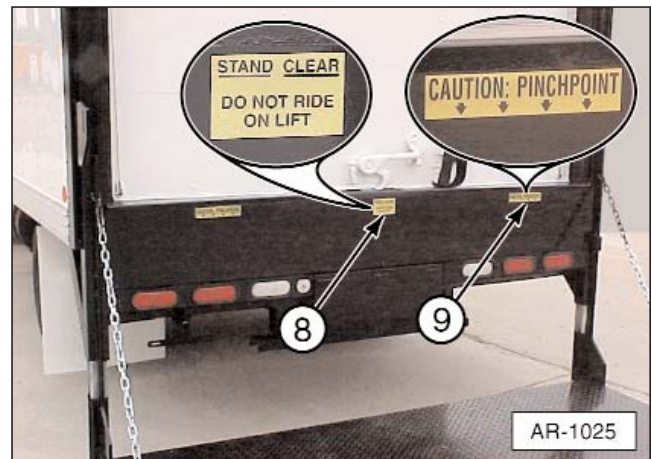
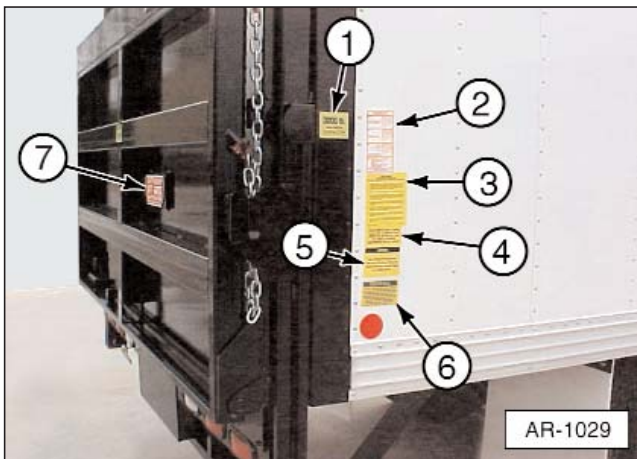


Monarch Power Unit Service Parts

| Item | Part No. | Description | Remarks |
|------|----------|------------------------------|---------|
| 1 | A-150018 | Motor | |
| 2 | ATU-120 | Motor Start Solenoid | |
| 3 | A-130272 | Lowering Valve with Coil | |
| 4 | ATU-585 | Coil (Lowering Valve) | |
| 5 | A-130156 | Pump | |
| 6 | A-130229 | Adjustable Relief Valve | |
| 7 | A-150635 | Plastic Reservoir | |
| 8 | A-130033 | Plastic Reservoir Cap | |
| 9 | — | Suction Filter | |
| 10 | A-150019 | O-ring for Plastic Reservoir | |
| 11 | ATU-565 | Clamp, Plastic Reservoir | |

Decals

| Power Close Railtrac Liftgate Safety Decals | | | | |
|--|----------|--|------|---|
| Item | Part No. | Description | Qty. | Remarks |
| 1 | ATU-175 | 1800 lb. Maximum Capacity | 1 | 1800 Models Only |
| | ATU-174 | 2500 lb. Maximum Capacity | 1 | 2500 Models Only |
| | ATU-147 | 3000 lb. Maximum Capacity | 1 | 3000 Models Only |
| 2 | A-131076 | Operating Instructions | 1 | |
| 3 | Q-003013 | Urgent Warning - Elevating Gate Instructions | 1 | |
| 4 | PCR-176 | After Using Liftgate, Secure Latch | 1 | Place in cab on dash in plain view of driver. |
| 5 | A-150238 | Notice - This liftgate is protected | 1 | |
| 6 | A-171448 | Inspect, lubricate, and replace | 1 | |
| 7 | A-131034 | Anthony Hydraulic Lift Gate label | 1 | On bottom of platform. |
| 8 | ATU-146 | Stand Clear Do Not Ride On Lift | 2 | |
| 9 | AR-18-76 | Caution: Pinchpoint | 4 | |
| 10 | A-131036 | Fuse Changing Procedure | 1 | On circuit breaker wire. |



1. ATU-175



IMPORTANT NOTICE

Make sure the proper "maximum capacity" decal goes on the appropriate liftgate. For example, the "1800 Maximum Capacity" decal goes on PCR-1800 models only. Do not put a higher rated decal (3000 pound) on a smaller liftgate (model 1800); this could result in liftgate damage or possibly personal injury.

2. A-131076

Anthony Power Close Rail Operating Instructions

1. Disengage the latches, one on the street side and one on curbside of gate.
2. Press the "down" switch to lower and unfold the platform. It will automatically unfold.
3. Once the platform is unfolded operate the lift up and down using the control switch.
4. To fold the platform to the "in transit" position:
 - a:) With platform and closer arms below actuating ramp, push the closer arm handle down and hold.
 - b:) While holding the handle down, press the "up" control switch to raise and fold the platform.
 - c:) When platform begins closing, let go of latch handle.
 - d:) Continue raising the platform until the platform stops. The platform will automatically latch for traveling.
5. To Dock Load:
 - a:) Disengage latches on both sides of the gate.
 - b:) Connect the (2) chains to rings on both sides of platform.
 - c:) Press the "down" switch to lower the platform in a vertical position until it is below the truck floor.
 - d:) To return the platform to the "in transit" position, press the "up" switch, raising the platform until it stops and latches engage.
 - e:) Unhook chain link from platform rings.

ANTHONY LIFTGATES, INC.

1037 WEST HOWARD ST., PONTIAC, IL 61764

A-131076

(815) 842-3383

3. Q-003013

URGENT WARNING
ELEVATING GATE INSTRUCTIONS

Before Operating Lift, Be Sure You Understand the Following.

1. Improper operation of this lift can result in serious personal injury. Do not operate unless you have been properly instructed and have read and are familiar with, the operating instructions. If you do not have a copy of the instructions please obtain them from your employer, distributor, or lessor, as appropriate, before you attempt to operate the lift.
2. Be certain the vehicle is properly and securely braked before using the lift.
3. Always inspect this lift for maintenance or damage before using it. If there are signs of improper maintenance, damage to vital parts, or slippery platform surface, do not use the lift. Do not attempt your own repairs, unless you are specifically trained.
4. Do not overload. See Mfg. Literature and/or Rating Label on the unit for the rated load. Remember that this limit applies to both raising and lowering operations.
5. Each load should be placed in a stable position within the edges of the platform as near as possible to the center of the platform side to side, and as close to the truck sill as possible.
6. Never stand in or move through or allow anyone else to stand in or move through the area in which the lift may operate or into which an upset load might fall.
7. This is not a passenger lift. This liftgate is intended for loading and unloading of cargo only. Do not use this liftgate for anything but its intended use.

Anthony Liftgates, Inc.

6/95

Q-003013

4. PCR-176

**AFTER USING LIFTGATE, IF
EQUIPPED WITH POWER CUT-OFF
SWITCH, TURN OFF POWER TO
PREVENT UNAUTHORIZED USE OF
LIFTGATE**

5. A-150238

NOTICE

**THIS LIFTGATE IS PROTECTED WITH
AN ELECTRICAL OVERLOAD CIR-
CUIT BREAKER, LOCATED NEAR
THE POWER SUPPLY.**

A-150238

6. A-171448

WARNING

**INSPECT, LUBRICATE AND REPLACE LIFTGATE
DRIVE CHAIN ACCORDING TO MANUFACTURERS
RECOMMENDATIONS. FAILURE TO FOLLOW
THESE MANUFACTURERS RECOMMENDATIONS
MAY RESULT IN SERIOUS BODILY INJURY. FOR
INFORMATION CONTACT YOUR NEAREST
ANTHONY LIFTGATE DISTRIBUTOR OR
ANTHONY LIFTGATES, INC., PONTIAC, IL. 61764**

7. A-131034



8. ATU-146



9. AR-18-76



10. A-131036



This decal is attached, at the factory, to the power cable/fuse assembly.

Notes



Anthony Liftgates, Inc.
1037 W. Howard Street • P.O. Box 615 • Pontiac, IL 61764-0615
Ph: 815.842.3383 • Fax: 815.844.3612 • Toll Free: 800.482.0003
www.anthonyliftgates.com