

Repair Parts



AVENUE A115

BOULEVARD B215

SERIAL RANGE: 21286001 - _____

COUNTRY CLIPPER
AVENUE-A115 & BOULEVARD-B215
SERIAL RANGE 21286001 - _____
ZERO TURN RADIUS MOWER
TABLE OF CONTENTS

SECTION 1 – MOWER DECKS AND RELATED PARTS

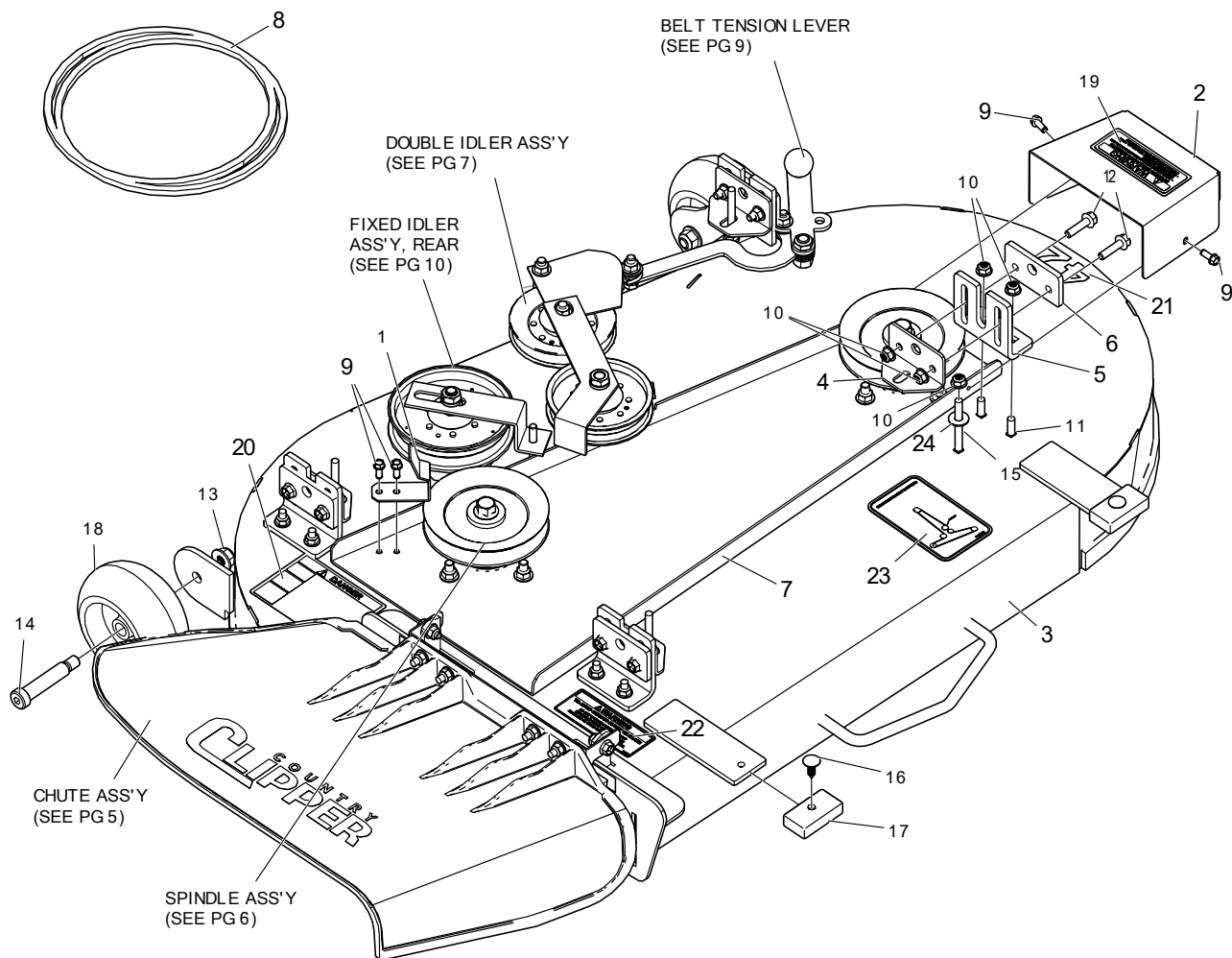
1. 42" DECK ASSEMBLY
2. 48" DECK ASSEMBLY
3. 54" DECK ASSEMBLY
4. 60" DECK ASSEMBLY
5. DISCHARGE CHUTE ASSEMBLY
6. DECK SPINDLE ASSEMBLY
7. DOUBLE IDLER & RELATED PARTS (42" DECK)
8. DOUBLE IDLER & RELATED PARTS (48", 54" & 60" DECK)
9. BELT TENSION LEVER
10. FIXED IDLERS & RELATED PARTS
11. LIFT HANDLE ASSEMBLY & RELATED PARTS
12. DECK SCISSOR LIFT ASSEMBLY & RELATED PARTS

SECTION 2 – TRACTOR FRAME AND RELATED PARTS

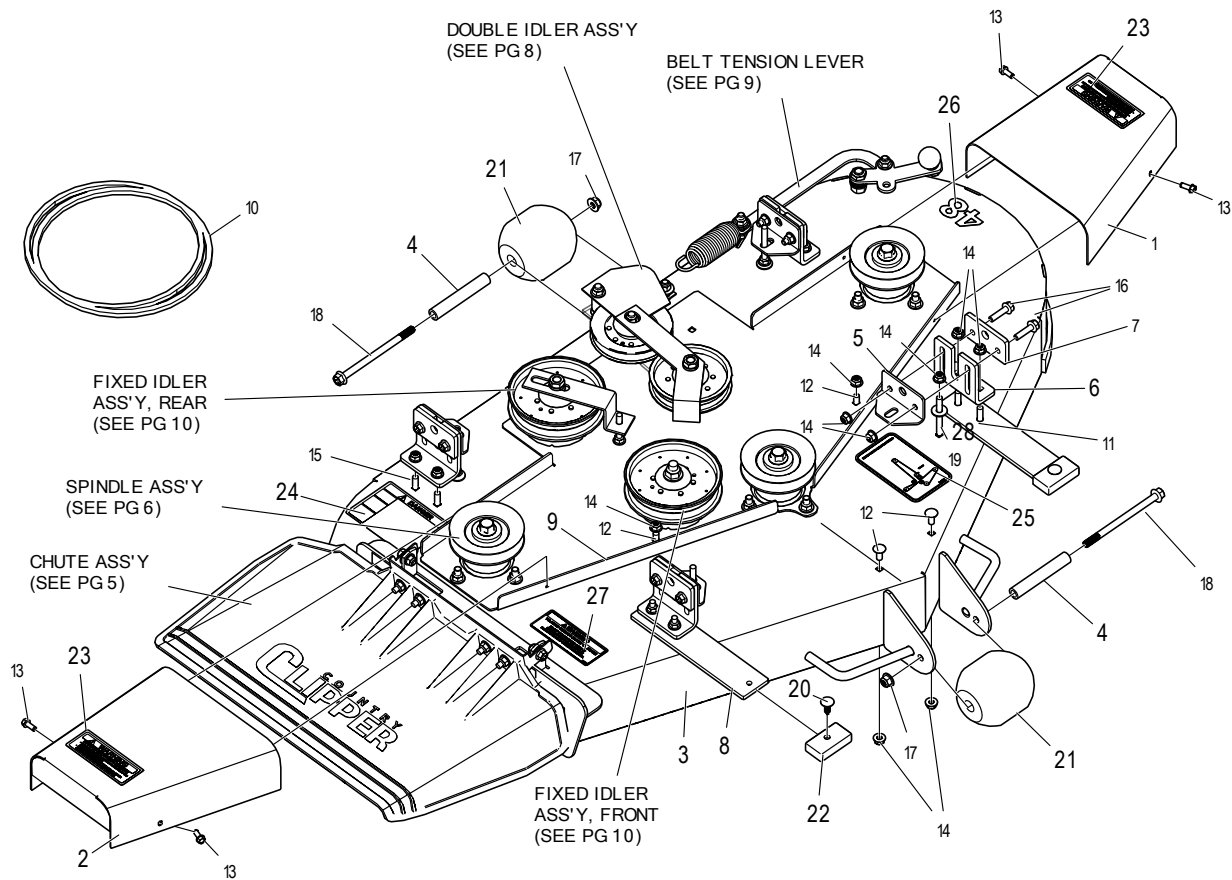
13. FOOT DECK & TIRES (AVENUE)
14. FOOT DECK & TIRES (BOULEVARD)
15. FRONT PANEL ASSEMBLY & RELATED PARTS
16. FRONT PANEL ASSEMBLY & RELATED PARTS (CONT)
17. BATTERY BOX
18. BRAKE ASSEMBLY

SECTION 3 – TRACTOR DRIVE AND RELATED PARTS

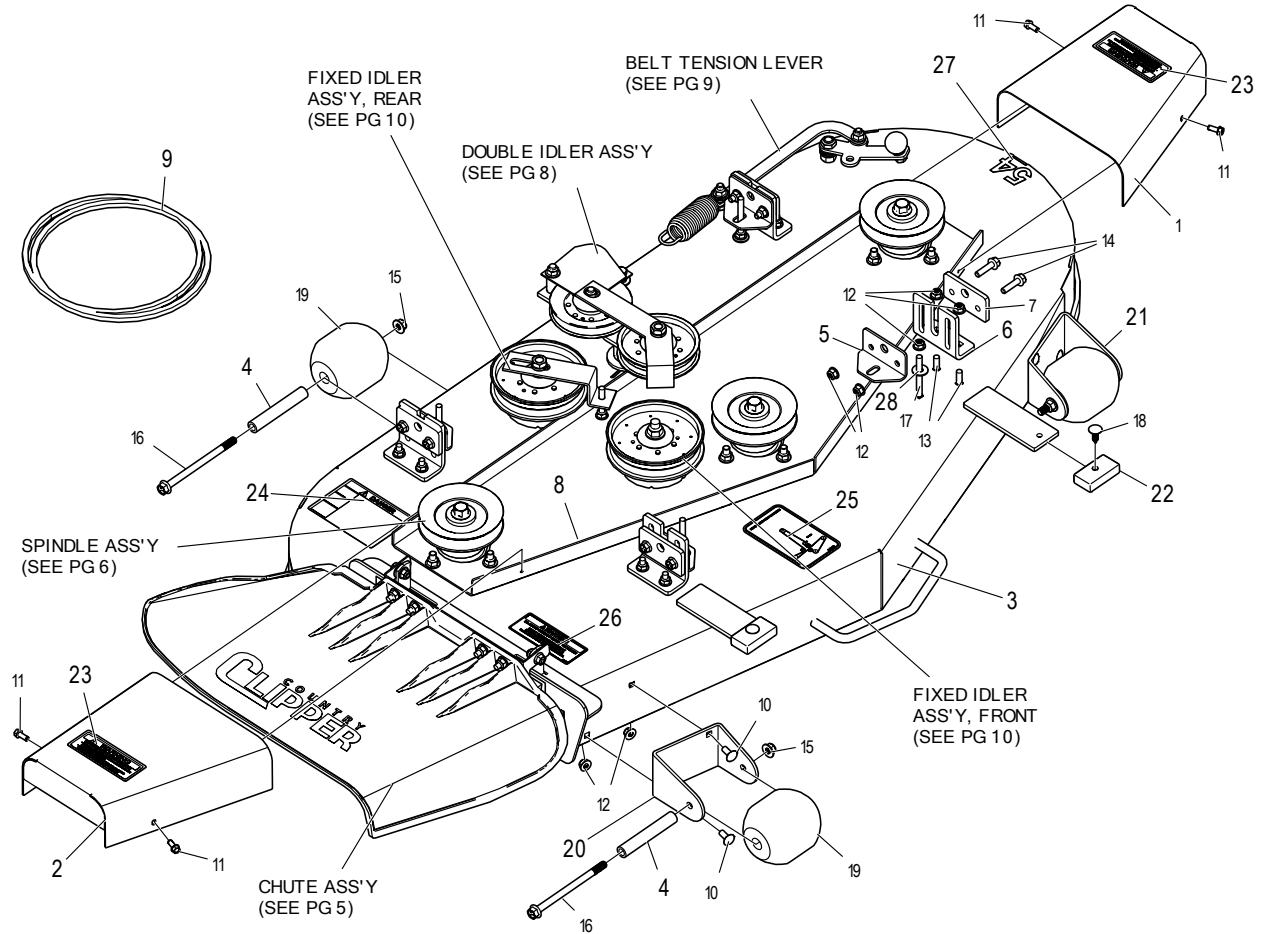
19. FUEL TANK ASSEMBLY
20. JOYSTICK CONTROL & RELATED PARTS
21. JOYSTICK ASSEMBLY
22. JOYSTICK ASSEMBLY MOUNTING & RELATED PARTS
23. TWIN LEVER CONTROL & RELATED PARTS
24. TWIN LEVER ASSEMBLY
25. CONTROL PANEL
26. FENDER ASSEMBLY & RELATED PARTS
27. TRANSMISSION ASSEMBLY & RELATED PARTS (AVENUE & BOULEVARD)
28. TRANSMISSION ASSEMBLY & RELATED PARTS (BOULEVARD)
29. TRANSMISSION ASSEMBLY & RELATED PARTS CON'T (BOULEVARD)
30. SEAT BASE & RELATED PARTS
31. ENGINES
32. ENGINE & CLUTCH MOUNTING & RELATED PARTS
33. WIRE HARNESS & RELATED PARTS
34. WIRE HARNESS SCHEMATIC



TEM #	QTY	PART #	DESCRIPTION
1	1	700-058P	GUIDE, BELT
2	1	714-009A	42" PULLEY COVER W/ DECALS
3	1	714-052A	42" DECK W/ DECALS
4	4	714-179P	PLATE, ADJUSTMENT W/ FLANGE
5	3	714-383P	DECK HANGER TAB
6	4	714-424P	PLT, CLAMP
7	1	714A-005P	DECK STIFFENER, 42"
8	1	D-3948	BELT, BANDO, B-122
9	4	F-2030	HEX, WASHER HEAD SCREW, 1/4 X 5/8", SELF-TAPPING
10	18	F-2063	NUT, 5/16-18, NYLOC, FLANGED, YZ
11	6	F-2066	BOLT, CARRIAGE, 5/16-18 X 1", YZ, GR5
12	8	F-2122	FHCS, 5/16-18 X 1-1/4", YZ, GR5, FULL THD
13	2	F-2152	NUT, 1/2-13 NYLOC, FLANGED, YZ
14	2	F-2232	SHCS, 5/8" X 2-1/2", CZ
15	4	F-2234	CARRIAGE BOLT, 5/16-18 X 3" FULL THREAD
16	2	F-2250	CLIP, FIR TREE, 1/4" X 1", BLACK NYLON
17	2	H-2959	WEAR PAD
18	2	H-2968	ANTI-SCALP WHEEL, 5" X 2-1/2"
19	1	P-10935	DECAL, "WARNING ROTATING DRIVE"
20	1	P-10941	DECAL "DANGER ROTATING BLADES"
21	1	P-11949	DECAL, DECK SIZE, 42
22	1	P-12706	WARNING DECAL, DISCHARGE CHUTE
23	1	P-12712	DECAL WRANGLER BELT ROUTING
24	3	F-1009-02	WASHER, FLAT



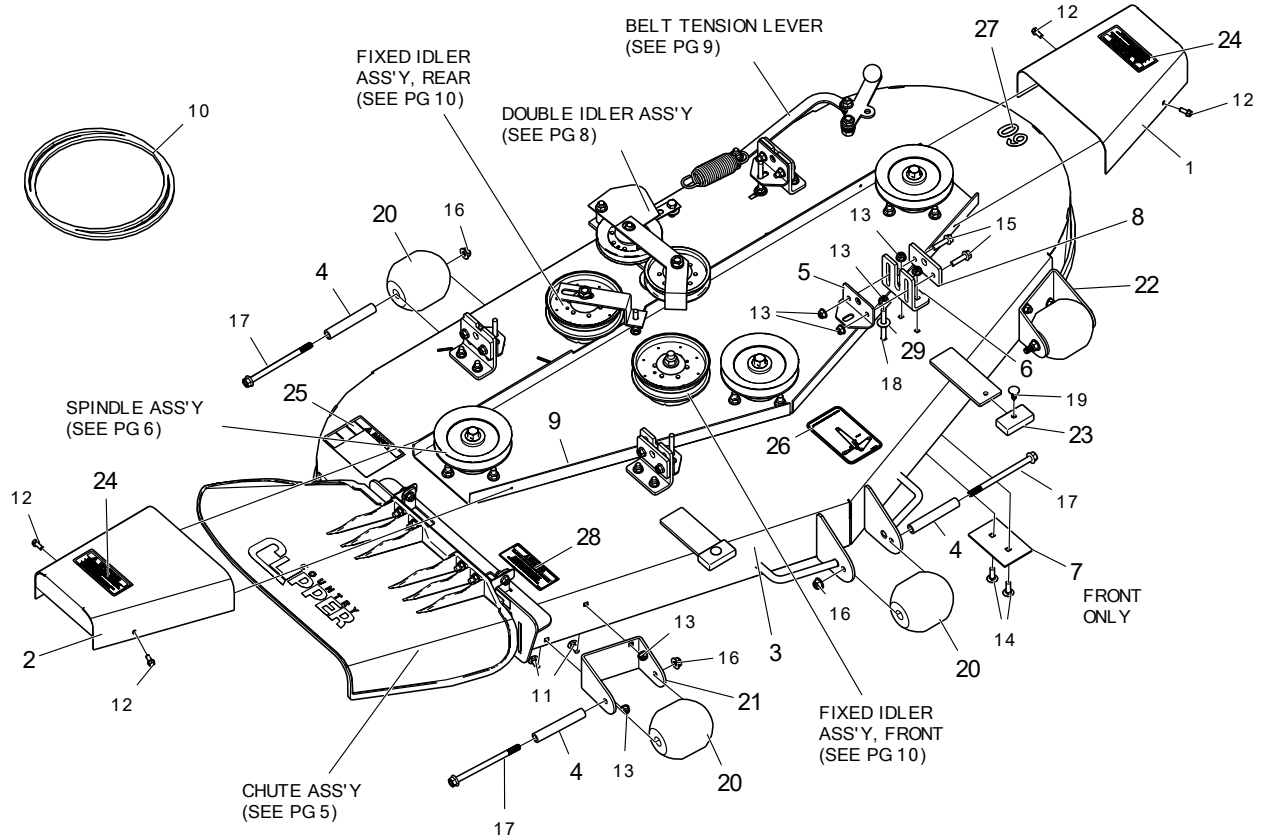
ITEM #	QTY	PART #	DESCRIPTION
1	1	714-124A	PULLEY COVER W/ DECALS, TRIM
2	1	714-123A	PULLEY COVER W/ DECALS, DISCHARGE
3	1	714-053A	48" DECK W/ DECALS
4	3	714-133P	BUSHING, ROLLER BRACKET
5	4	714-179P	PLATE, ADJUSTMENT W/FLANGE
6	4	714-383P	DECK HANGER TAB
7	4	714-424P	PLT, CLAMP
8	2	714-426P	PLT, DECK STOP
9	1	714B-005P	DECK STIFFENER, 48"
10	1	D-3949	BANDL BELT B-144
11	4	F-1106	BOLT, CARRIAGE, 5/16-18 X 1-1/4, YZ, GR5
12	4	F-1671	CARRIAGE BOLT, 5/16-18 X 3/4", YZ, GR5
13	4	F-2030	HEX, WASHER HEAD SCREW, 1/4 X 5/8", SELF-TAPPING, YZ
14	24	F-2063	NUT, 5/16-18, NYLOC, FLANGED, YZ
15	4	F-2066	BOLT, CARRIAGE, 5/16-18 X 1", YZ, GR5
16	8	F-2122	FHCS, 5/16-18 X 1-1/4", YZ, GR5, FULL THD
17	3	F-2151	NUT, 3/8-16 NYLOC, FLANGED, YZ
18	3	F-2222	FHCS, 3/8-16 X 5-1/2", YZ, GR5
19	4	F-2234	CARRIAGE BOLT, 5/16-18 X 3" FULL THREAD
20	2	F-2250	CLIP, FIR TREE, 1/4" X 1", BLACK NYLON
21	3	H-2768	ROLLER, 3-3/4 DIA. X 4"
22	2	H-2959	WEAR PAD
23	2	P-10935	DECAL, "WARNING ROTATING DRIVE"
24	1	P-10941	DECAL, "DANGER ROTATING BLADES"
25	1	P-11932	DECK BELT ROUTING
26	1	P-11950	DECAL, DECK SIZE, 48
27	1	P-12706	WARNING DECAL, DISCHARGE CHUTE
28	4	F-1009-02	WASHER, FLAT



ITEM #	QTY	PART #	DESCRIPTION
1	1	714-124A	PULLEY COVER W/ DECALS, TRIM
2	1	714-123A	PULLEY COVER W/ DECALS, DISCHARGE
3	1	714-094A	54" DECK W/ DECALS
4	4	714-133P	BUSHING, ROLLER BRACKET
5	4	714-179P	PLATE, ADJUSTMENT W/FLANGE
6	4	714-383P	DECK HANGER TAB
7	4	714-424P	PLT, CLAMP
8	1	714C-005P	DECK STIFFENER, 54"
9	1	D-3950	BANDL BELT B-154
10	4	F-1671	CARRIAGE BOLT, 5/16-18 X 3/4", YZ, GR5
11	4	F-2030	HEX, WASHER HEAD SCREW, 1/4 X 5/8", SELF-TAPPING, YZ
12	24	F-2063	NUT, 5/16-18, NYLOC, FLANGED, YZ
13	8	F-2066	BOLT, CARRIAGE, 5/16-18 X 1", YZ, GR5
14	8	F-2122	FHCS, 5/16-18 X 1-1/4", YZ, GR5, FULL THD
15	4	F-2151	NUT, 3/8-16 NYLOC, FLANGED, YZ
16	4	F-2222	FHCS, 3/8-16 X 5-1/2", YZ, GR5
17	4	F-2234	CARRIAGE BOLT, 5/16-18 X 3" FULL THREAD
18	2	F-2250	CLIP, FIR TREE, 1/4" X 1", BLACK NYLON
19	4	H-2768	ROLLER, 3-3/4 DIA. X 4"
20	1	H-2938	PLATE, ROLLER BRACKET
21	1	H-2939	PLATE, ROLLER BRACKET
22	2	H-2959	WEAR PAD
23	2	P-10935	DECAL, "WARNING ROTATING DRIVE"
24	1	P-10941	DECAL, DANGER
25	1	P-11932	DECK BELT ROUTING
26	1	P-12706	WARNING DECAL, DISCHARGE CHUTE
27	1	P-13131	DECAL, DECK SIZE, 54
28	4	F-1009-02	WASHER, FLAT

AVENUE/BOULEVARD
(A115 / B215)

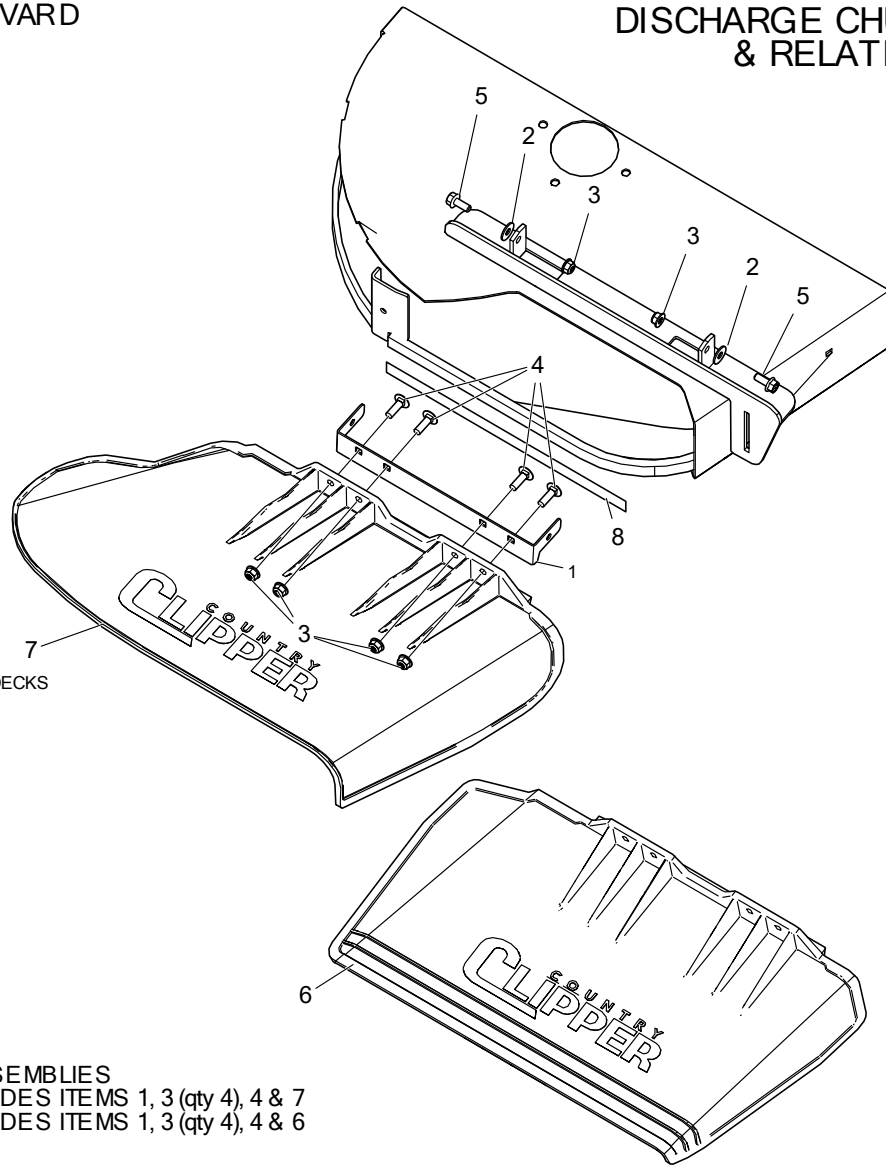
60" DECK ASSEMBLY
{714J-002A}



ITEM #	QTY	PART #	DESCRIPTION
1	1	714-124A	PULLEY COVER W/ DECALS, TRIM
2	1	714-123A	PULLEY COVER W/ DECALS, DISCHARGE
3	1	714-095A	60" DECK W/ DECALS
4	5	714-133P	BUSHING, ROLLER BRACKET
5	4	714-179P	PLATE, ADJUSTMENT W/FLANGE
6	4	714-383P	DECK HANGER TAB
7	2	714-404P	REINFORCEMENT PLATE, 60"
8	4	714-424P	PLT, CLAMP
9	1	714D-005P	DECK STIFFENER, 60"
10	1	D-3951	BANDL BELT B-166
11	4	F-1671	CARRIAGE BOLT, 5/16-18 X 3/4", YZ, GR5
12	4	F-2030	HEX, WASHER HEAD SCREW, 1/4 X 5/8", SELF-TAPPING, YZ
13	24	F-2063	NUT, 5/16-18, NYLOC, FLANGED, YZ
14	8	F-2066	BOLT, CARRIAGE, 5/16-18 X 1", YZ, GR5
15	8	F-2122	FHCS, 5/16-18 X 1-1/4", YZ, GR5, FULL THD
16	5	F-2151	NUT, 3/8-16 NYLOC, FLANGED, YZ
17	5	F-2222	FHCS, 3/8-16 X 5-1/2", YZ, GR5
18	4	F-2234	CARRIAGE BOLT, 5/16-18 X 3" FULL THREAD
19	2	F-2250	CLIP, FIR TREE, 1/4" X 1", BLACK NYLON
20	5	H-2768	ROLLER, 3-3/4 DIA. X 4"
21	1	H-2938	PLATE, ROLLER BRACKET
22	1	H-2939	PLATE, ROLLER BRACKET
23	2	H-2959	WEAR PAD
24	2	P-10935	DECAL, "WARNING ROTATING DRIVE"
25	1	P-10941	DECAL, "DANGER ROTATING BLADES"
26	1	P-11932	DECK BELT ROUTING
27	1	P-11952	DECAL, DECK SIZE, 60
28	1	P-12706	WARNING DECAL, DISCHARGE CHUTE
29	4	F-1009-02	WASHER, FLAT

AVENUE/BOULEVARD
(A115/B215)

DISCHARGE CHUTE ASS'Y
& RELATED PARTS



USE ITEM #6 FOR 48" DECKS

COMPLETE ASSEMBLIES
714-010A - INCLUDES ITEMS 1, 3 (qty 4), 4 & 7
643-111A - INCLUDES ITEMS 1, 3 (qty 4), 4 & 6

ITEM #	QTY	PART #	DESCRIPTION
1	1	714-112P	HINGE, DECK CHUTE
2	2	F-1009-02	WASHER, FLAT
3	6	F-2063	NUT, 5/16-18, NYLOC, FLANGED, YZ
4	4	F-2066	BOLT, CARRIAGE, 5/16-18 X 1", YZ, GR5
5	2	F-2120	FHCS, 5/16-18 X 3/4", YZ, GR5
6	1	H-2723	CHUTE, DISCHARGE, SMALL
7	1	H-2946	DECK CHUTE
8	1	P-13266	DECAL, MISSING CHUTE

PARTS MARKED "" ARE PART
OF COMPLETE ASS'Y D-3917

BLADE PART NUMBERS

42" & 60" DECKS

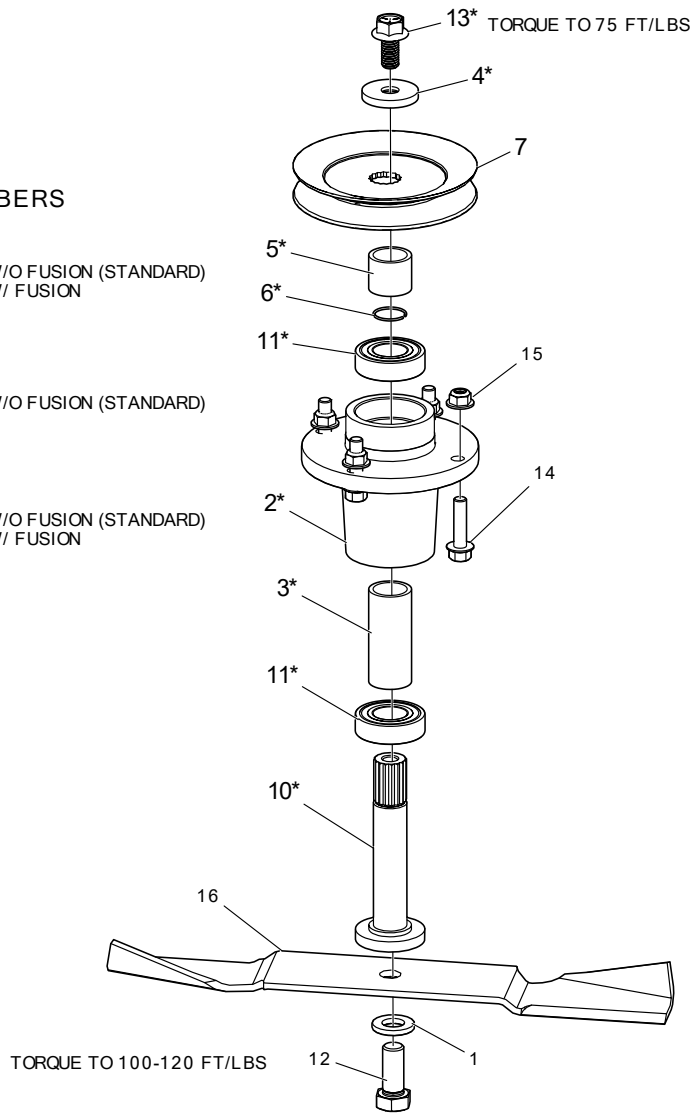
- H-2885 HIGH LIFT W/O FUSION (STANDARD)
- H-2886 HIGH LIFT W/ FUSION
- H-2661 LOW LIFT
- H-2667 GATOR

48" DECK

- H-2882 HIGH LIFT W/O FUSION (STANDARD)
- H-2659 LOW LIFT
- H-2665 GATOR

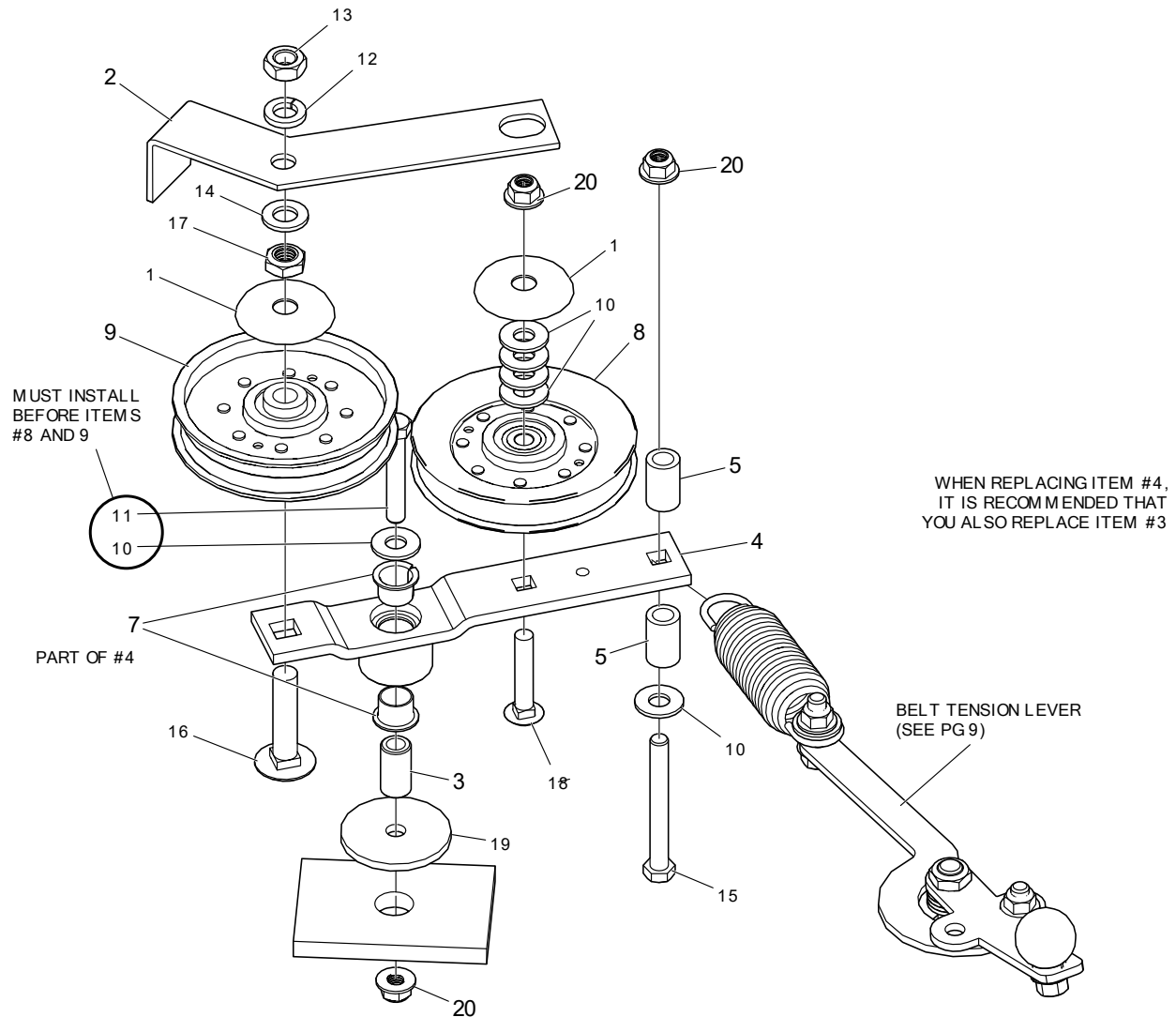
54" DECK

- H-2883 HIGH LIFT W/O FUSION (STANDARD)
- H-2884 HIGH LIFT W/ FUSION
- H-2660 LOW LIFT
- H-2666 GATOR

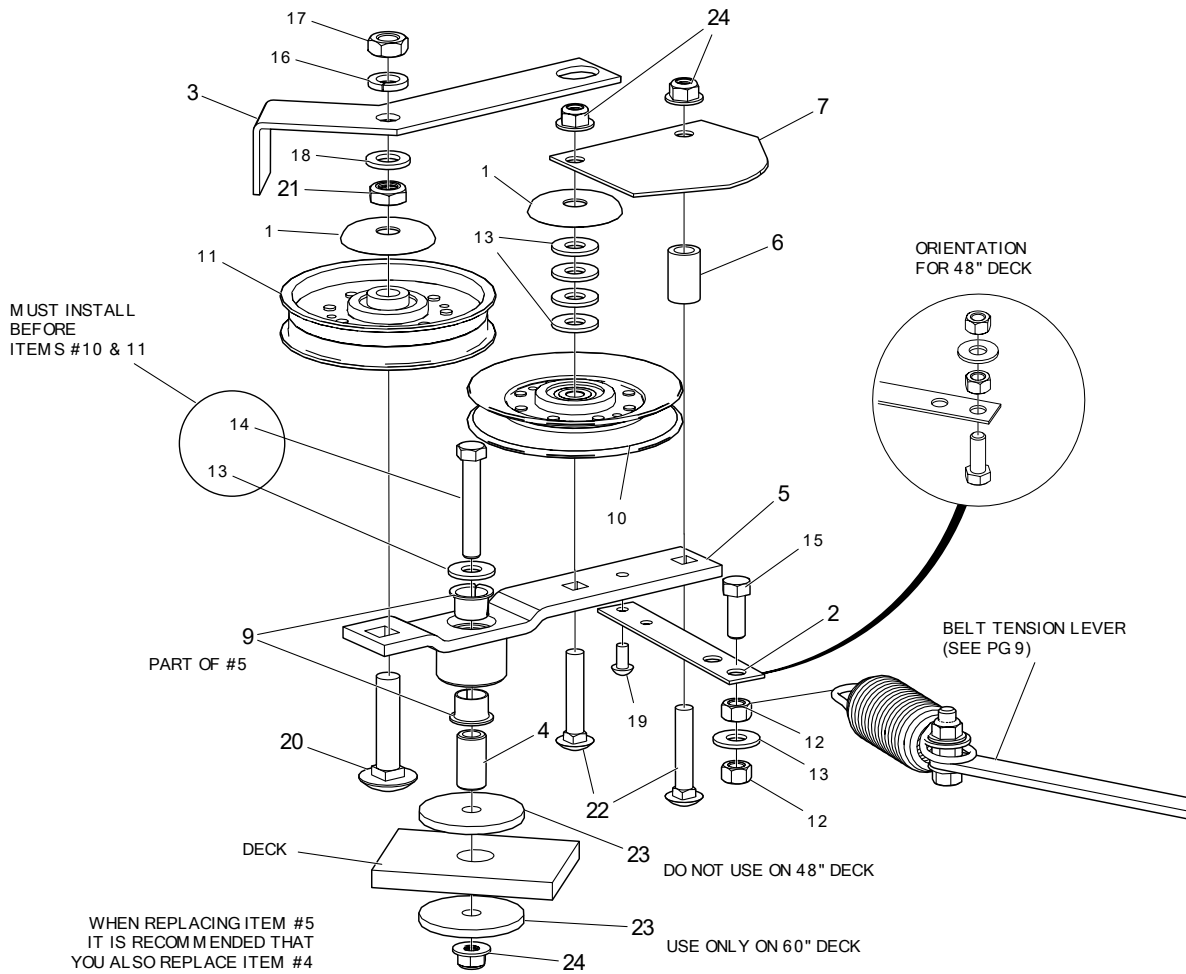


ITEM #	QTY	PART #	DESCRIPTION
1	1	660-099P	WASHER, BLADE, 5/8
2	1	----	SPINDLE HOUSING
3	1	----	SPINDLE SPACER
4	1	D-3990	SPINDLE HARD WASHER
5	1	D-3989	SPINDLE OUTER SPACER
6	1	D-3991	SPINDLE RETAINING RING
7	1	D-3918	PULLEY, 5.195, A-B, 42" & 60" DECK
8	1	D-3919	PULLEY, 4.039, A-B, 48" DECK
9	1	D-3920	PULLEY, 4.513, A-B, 54" DECK
10	1	D-3961	SPINDLE SHAFT
11	2	D-3058	SPINDLE BRG
12	1	F-2073	HHCS, 5/8-11 X 1-1/2", GR8, YZ
13	1	F-2143	FHCS, 1/2-13 X 1", YZ, GR5

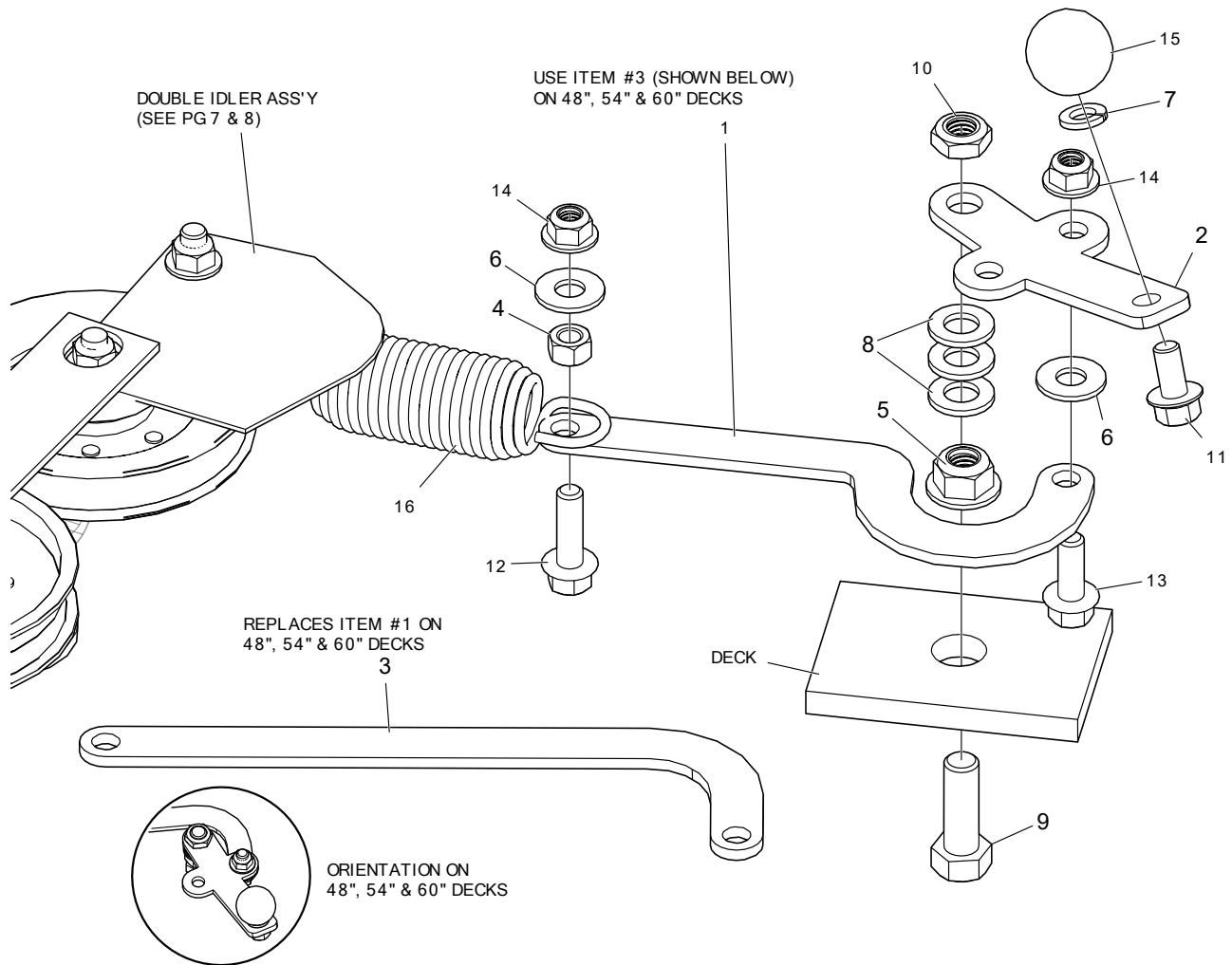
ITEM #	QTY	PART #	DESCRIPTION
14	4	F-2147	FHCS, 3/8-16 X 1-1/2", YZ, GR5
15	4	F-2151	NUT, 3/8-16 NYLOC, FLANGED, YZ
16	1	H-2882	BLADE, HL, 16.928, 48 (STANDARD)
-	1	H-2883	BLADE, HL, 18.375, 54 (STANDARD)
-	1	H-2885	BLADE, HL, 20.953, 42 & 60 (STANDARD)
-	1	H-2884	BLADE, HL FUSION, 18.375, 54
-	1	H-2886	BLADE, HL FUSION, 20.953, 42 & 60
-	1	H-2659	BLADE, 16.928 X .63, LOW LIFT, 48
-	1	H-2660	BLADE, 18.375 X .63, LOW LIFT, 54
-	1	H-2661	BLADE, 20.953 X .63, LOW LIFT, 42 & 60
-	1	H-2665	BLADE, 16.928 X .63, GATOR, 48
-	1	H-2666	BLADE, 18.375 X .63, GATOR, 54
-	1	H-2667	BLADE, 20.86 X .63, GATOR, 42 & 60



ITEM #	QTY	PART #	DESCRIPTION
1	2	620-201P	WASHER, BEARING CAP
2	1	660-110P	BELT KEEPER, B BELT
3	1	660-135P	MOUNTING PIN
4	1	660-147A	IDLER ARM ASSEMBLY
5	2	668-021P	SPACER, BELT GUARD
6	1	668-029P	BELT GUARD
7	2	D-3730	BUSHING, DU 5/8 DIA X 1/2 LG
8	1	D-3923	PULLEY, V-IDLER, 4.59OD, AB, NTN
9	1	D-3924	PULLEY, FLAT IDLER, 4.25 OD, NTN, DBL INSERT
10	6	F-1009-03	WASHER, FLAT, STD, STEEL 3/8" W SERIES
11	1	F-1268	HHCS, 3/8-16 X 2-1/4", YZ, GR5
12	1	F-1464	LOCKWASHER, 1/2"
13	1	F-1489	NUT, HEX, JAM, 1/2-13, YZ
14	1	F-1521	WASHER, 1/2" CUSTOM, YZ
15	1	F-1616	CAPSCREW, 3/8-16 X 3-1/4 GR. 5
16	1	F-1822	BOLT, CARRIAGE, 1/2-13 X 2-1/4", YZ, GR5
17	1	F-1966	NUT, THIN, 1/2-13, NYLOC, YZ
18	1	F-1976	BOLT, CARRIAGE, 3/8-16 X 2", YZ, GR5
19	1	F-2102	WASHER, 2.25 OD X .406 ID X 7GA, YZ
20	3	F-2151	NUT, 3/8-16 NYLOC, FLANGED, YZ

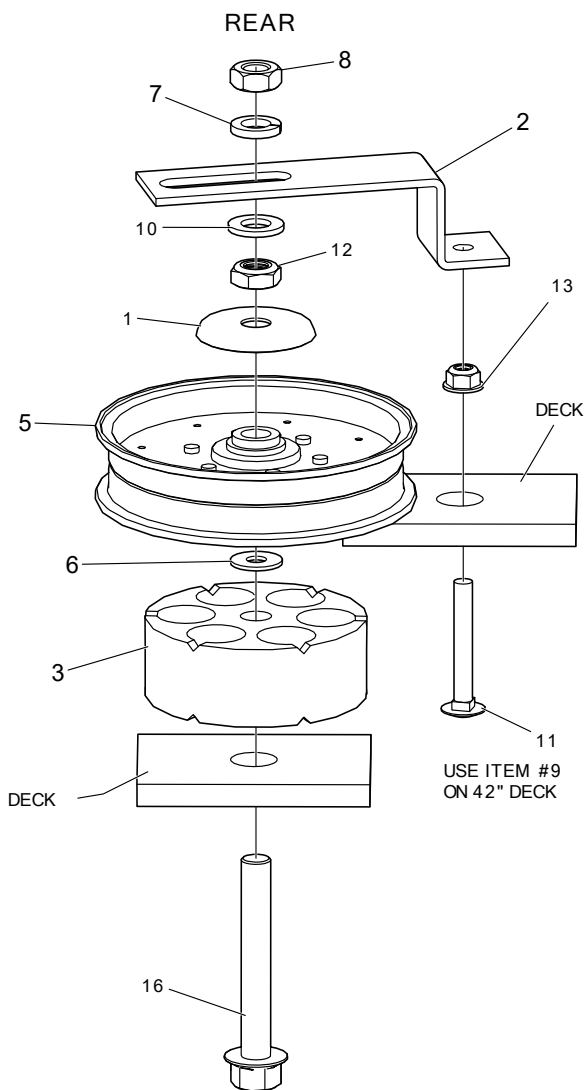


ITEM #	QTY	PART #	DESCRIPTION
1	2	620-201P	WASHER, BEARING CAP
2	1	660-081P	EXTENSION, SPRING
3	1	660-110P	BELT KEEPER, B BELT
4	1	660-135P	MOUNTING PIN
5	1	660-147A	IDLER ARM ASSEMBLY
6	1	668-021P	SPACER, BELT GUARD
7	1	714-183P	BELT GUARD, 54"
9	2	D-3730	BUSHING, DU 5/8 DIA X 1/2 LG
10	1	D-3923	PULLEY, V-IDLER, 4.59OD, AB, NTN
11	1	D-3924	PULLEY, FLAT IDLER, 4.25 OD, NTN, DBL INSERT
12	2	F-1005-03	NUT, 3/8-16, CENTERLOCK, YZ, GR5
13	6	F-1009-03	WASHER, FLAT, 3/8, YZ
14	1	F-1268	HHCS, 3/8-16 X 2-1/4", YZ, GR5
15	1	F-1394	HHCS, 3/8-16NC X 1", GR.5, YELLOW PLATED
16	1	F-1464	LOCKWASHER, 1/2"
17	1	F-1489	NUT, HEX, JAM, 1/2-13, YZ
18	1	F-1521	WASHER, 1/2" CUSTOM, YZ
19	1	F-1733	DRIVE SCREW, 1/4" X 1/2", RND HD
20	1	F-1822	BOLT, CARRIAGE, 1/2-13 X 2-1/4", YZ, GR5
21	1	F-1966	NUT, THIN, 1/2-13, NYLOC, YZ
22	2	F-1976	BOLT, CARRIAGE, 3/8-16 X 2", YZ, GR5
23	2	F-2102	WASHER, 2.25 OD X .406 ID X 7GA, YZ
24	3	F-2151	NUT, 3/8-16 NYLOC, FLANGED, YZ

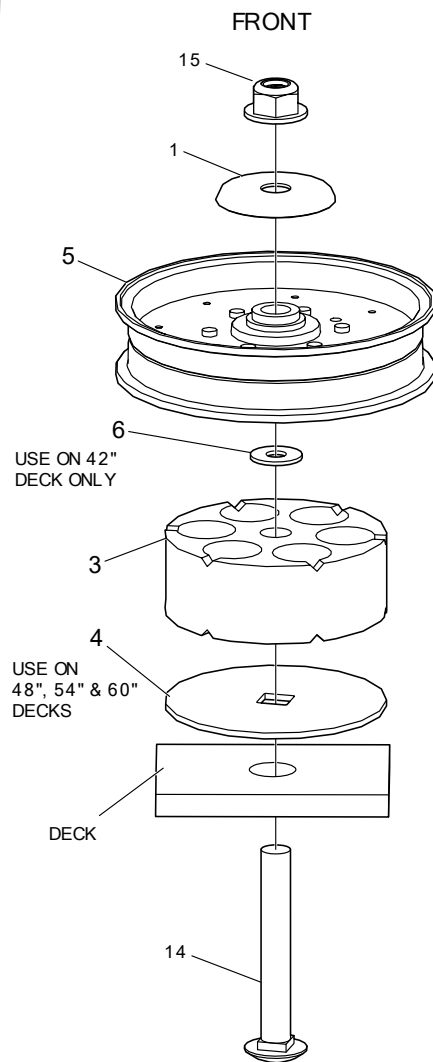


ITEM #	QTY	PART #	DESCRIPTION
1	1	660-031P	BELT TIGHTENER ARM
2	1	660-184P	HANDLE, BELT TENSIONER
3	1	714-180P	BELT TENSION ARM
4	1	F-1005-03	NUT, 3/8-16, CENTERLOCK, YZ, GR5
5	1	F-2152	NUT, 1/2-13, NYLOC, FLANGED, YZ
6	2	F-1009-03	WASHER, FLAT, STD, STEEL 3/8" W SERIES
7	1	F-1019-03	LOCKWASHER, HVY, 3/8, YZ
8	3	F-1521	WASHER, 1/2" CUSTOM, YZ
9	1	F-1526	HHSCREW, 1/2-13 UNC X 1-1/2 GR. 5 YELLOW PLATED
10	1	F-1966	NUT, THIN, 1/2-13, NYLOC, YZ
11	1	F-2124	FHCS, 3/8-16 X 3/4", YZ, GR5
12	1	F-2125	FHCS, 3/8-16 X 1-1/4", YZ, GR5
13	1	F-2141	FHCS, 3/8-16 X 1", YZ, GR5
14	2	F-2151	NUT, 3/8-16 NYLOC, FLANGED, YZ
15	1	H-2405	BALL, 1-1/4", 3/8-16THRD, BLK THERMOPLASTIC STEEL INSERT
16	1	H-2619	SPRING, 5 X 1-1/2, TAPERED ENDS

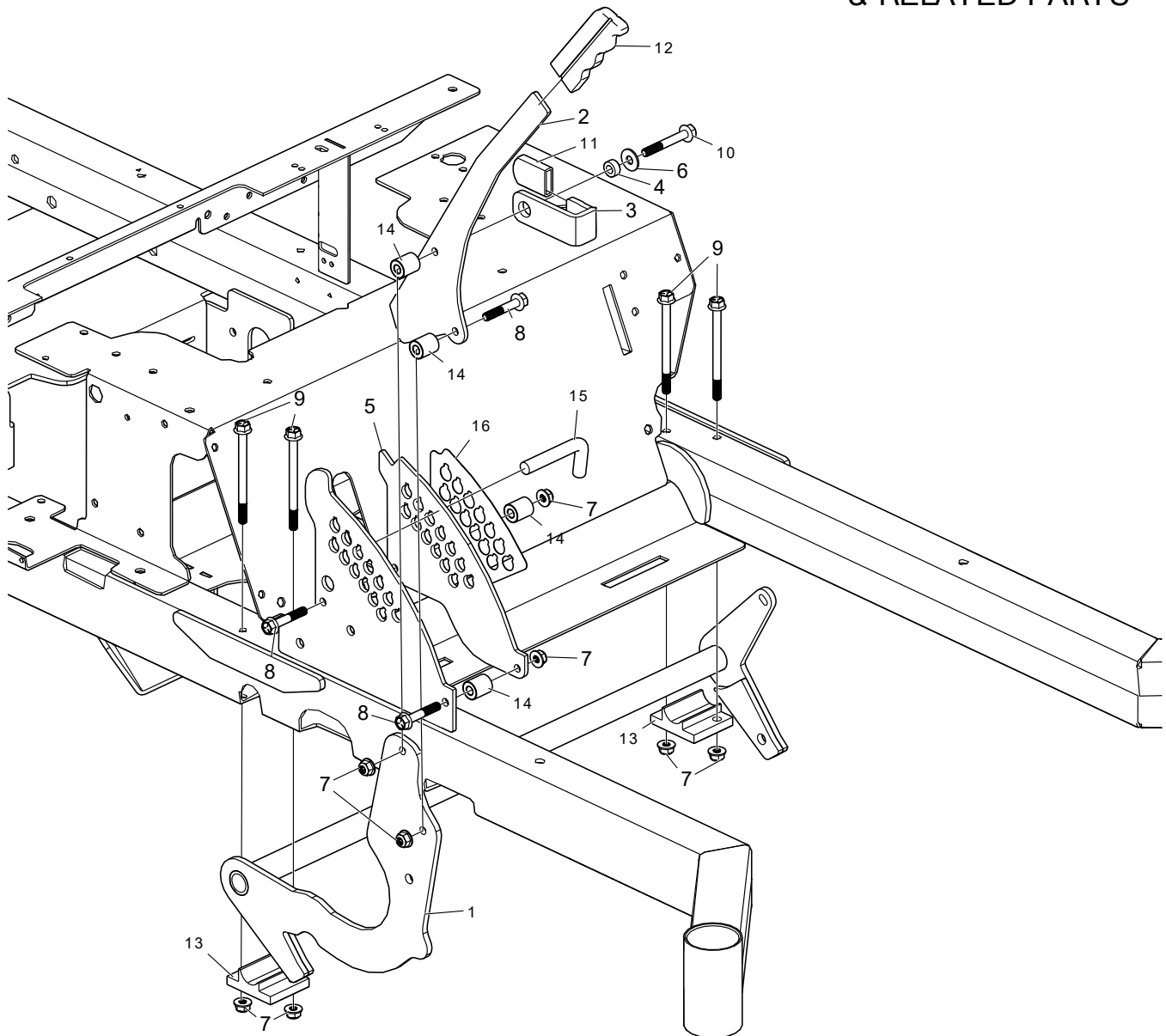
AVENUE/BOULEVARD
(A115/B215)



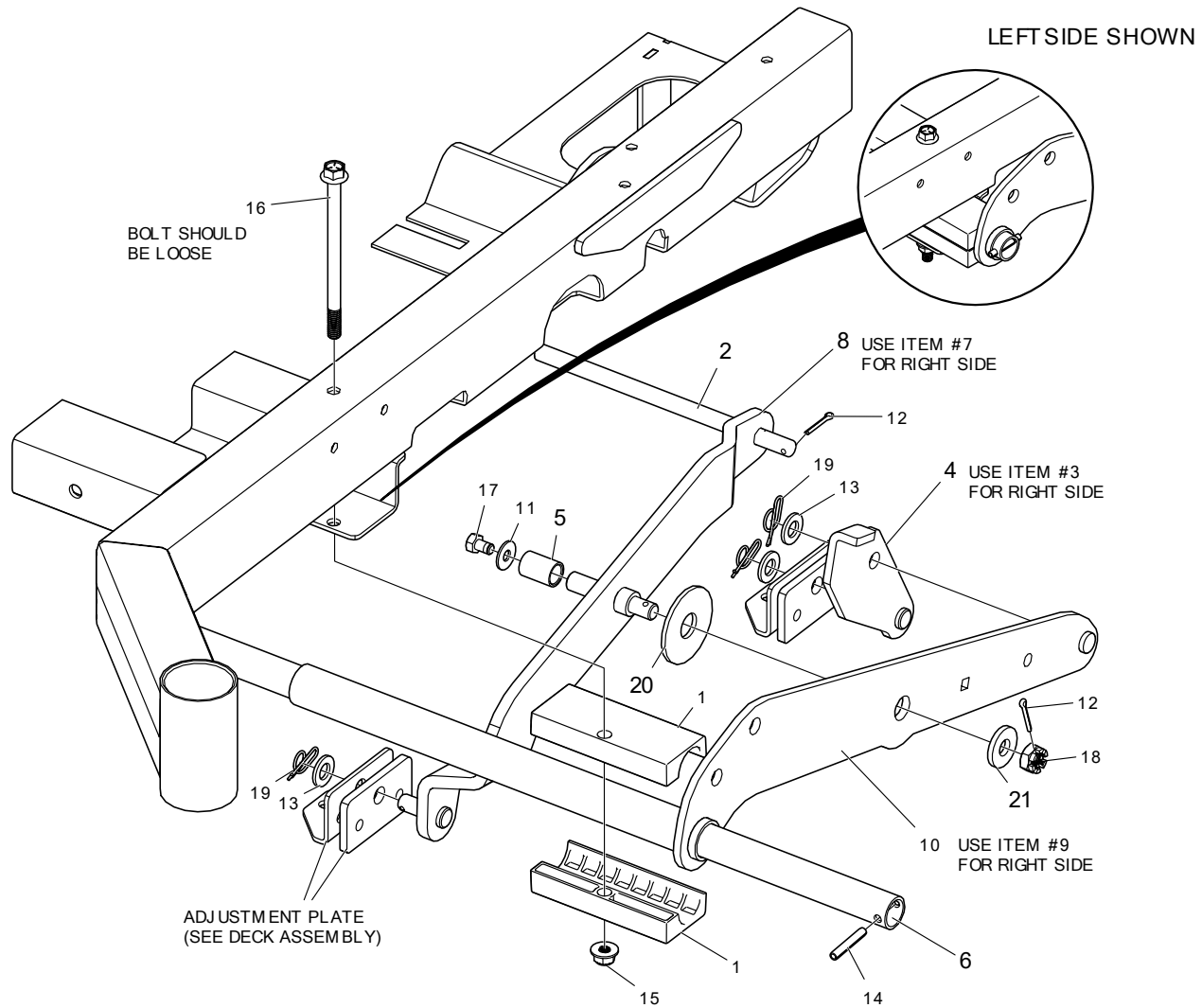
FIXED IDLER ASSEMBLIES



ITEM #	QTY	PART #	DESCRIPTION
1	2	620-201P	WASHER, BEARING CAP
2	1	660-114P	BELT KEEPER, SINGLE END
3	2	660-148P	SPACER, IDLER MOUNT
4	1	660-207P	WASHER, 1/2" CARRIAGE BOLT
5	2	D-3904	PULLEY, FLAT IDLER, 5"
6	2	f-1009-05	WASHER, FLAT, 1/2, YZ
7	1	F-1464	LOCKWASHER, 1/2"
8	1	F-1489	NUT, HEX, JAM, 1/2-13, YZ
9	1	F-1518	CAPSCREW, 5/16-18 X 2-1/2 F.T. ZINC PLATED GR2
10	1	F-1521	WASHER, 1/2" CUSTOM, YZ
11	1	F-1707	CARRIAGE BOLT, 5/16-18 X 2-1/4 ZINC PLATED
12	1	F-1966	NUT, THIN, 1/2-13, NYLOC, YZ
13	1	F-2063	NUT, 5/16-18, NYLOC, FLANGED, YZ
14	1	F-2106	BOLT, CARRIAGE, 1/2-13 X 3-1/2", YZ, GR5
15	1	F-2152	NUT, 1/2-13 NYLOC, FLANGED, YZ
16	1	F-2269	FHCS, 1/2-13 X 3-3/4", YZ GR8



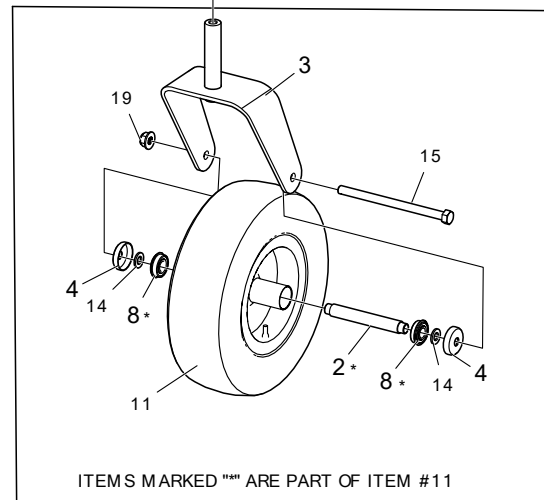
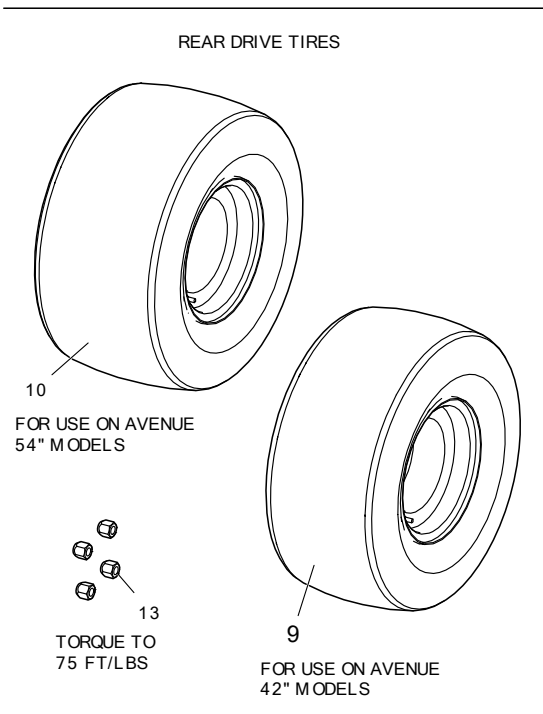
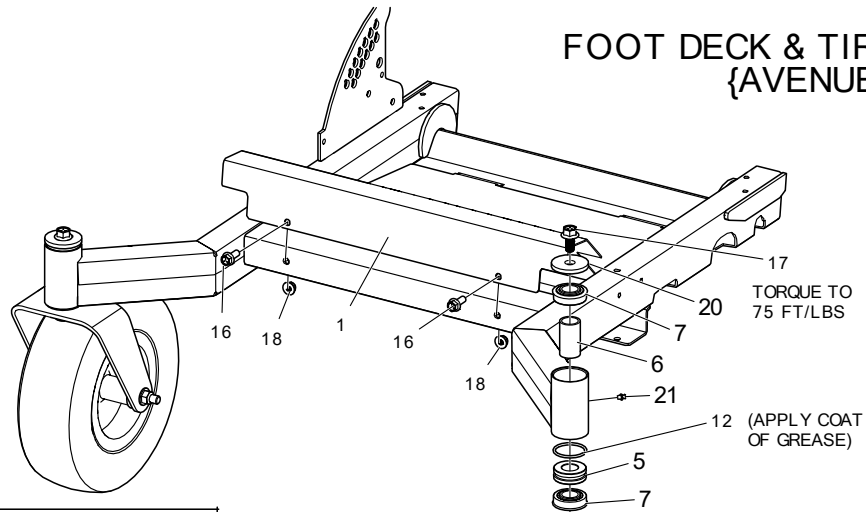
ITEM #	QTY	PART #	DESCRIPTION
1	1	714-049W	WLDT, LIFT HANDLE
2	1	714-364P	PLT, CUT HT LEVER
3	1	720-041P	PLATE, CATCH
4	1	720-042P	SPACER, LATCH PIVOT
5	1	721-012P	PLT, HEIGHT ADJUST, INSIDE
6	1	F-1009-02	WASHER, FLAT
7	8	F-2063	NUT, 5/16-18, NYLOC, FLANGED, YZ
8	3	F-2123	FHCS, 5/16-18 X 1-3/4", YZ, GR5
9	4	F-2220	FHCS, 5/16-18 X 4", YZ, GR5
10	1	F-2248	FHCS, 5/16-18 X 2-1/4", YZ, GR8
11	1	H-1850	GRIP, VINYL
12	1	H-1926	1/4" X 1" HANDLE GRIP
13	2	H-2960	HANGER BEARING
14	4	H-2963	SPACER, HANDLE
15	1	H-3013	DECK HEIGHT PIN
16	1	P-13271	DECAL, 4-1/2" DECK HEIGHT



ITEM #	QTY	PART #	DESCRIPTION
1	4	714-028P	BEARING, DECK PIVOT
2	1	714-045P	PIN, REAR STOP
3	1	714-207W	WLDT, DROP LINK, RH
4	1	714-208W	WLDT, DROP LINK, LH
5	2	714-260P	SLEEVE, ROLLER
6	1	714-273P	PIN, DECK HINGE
7	1	720-024W	WLDT, SCISSOR BAR, R
8	1	720-025W	WLDT, SCISSOR BAR, L
9	1	720-029W	WLDT, DECK MOUNT, R
10	1	720-030W	WLDT, DECK MOUNT, L
11	2	F-1009-02	WASHER, FLAT
12	4	F-1491	COTTER PIN, 1/81X
13	6	F-1521	WASHER, 1/2" CUSTOM, YZ
14	2	F-2009	ROLL PIN, SPIROL, 1/4 X 1-1/2"
15	2	F-2151	NUT, 3/8-16 NYLOC, FLANGED, YZ
16	2	F-2193	FHCS, 3/8-16 X 5-1/2", YZ, GR5
17	2	F-2223	HHCS, 5/16-18 X 1/2", NY PATCH, ZINC, GR5
18	2	F-2236	CASTLE NUT, 1/2-20
19	6	H-2239	1/2" RUE RING
20	2	H-3038	SPACER, SCISSOR
21	2	H-3039	WASHER, SPECIAL, 1/2" X 1-1/4"

AVENUE/BOULEVARD
(A115/B215)

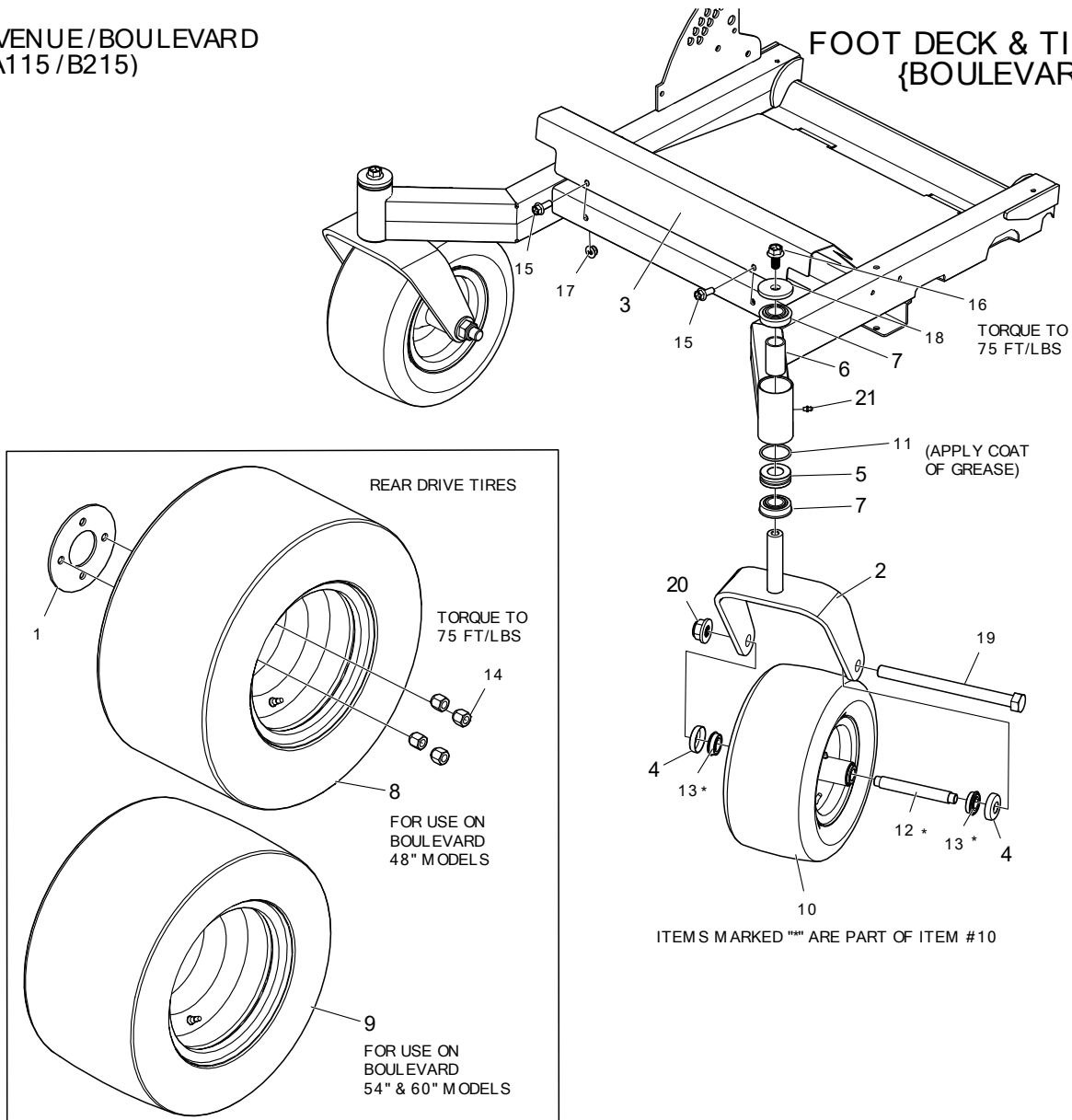
FOOT DECK & TIRES
{AVENUE}



ITEM #	QTY	PART #	DESCRIPTION
1	1	714-046P	PLATE, FLOOR
2	2	714-225P	SPACER, CASTER BEARING
3	2	714-227W	WLDT, CASTER YOKE
4	4	714-277P	CAP, BEARING, SMALL
5	2	720-047P	DRAG RING – SERIAL RANGE: 21286001 - 22074999
-	2	720-135P	DRAG RING, (FOR 5MM O-RING) – SERIAL RANGE: 22075001 -
6	2	720-048P	SPACER, BEARING, CASTER
7	4	D-2008-02	BEARING, SPD, SF-16-32
8	4	D-3432	BEARING, 5/8 I.D. X 1-3/8 O.D.
9	2	D-4028	TIRE, 18 X 8.5-8 TURFMASTER, BLACK
10	2	D-4029	TIRE, 18 X 9.50-8, TURF MASTER, BLACK
11	2	D-4027	TIRE ASSY, 13 X 5-6, BLACK, SM BEARING, SMOOTH
12	2	D-3969	O-RING, 70 DURO NITRILE – SERIAL RANGE: 21286001 - 22074999
-	2	D-4190	O-RING, 5MM X 44MM I.D. – SERIAL RANGE: 22075001 -
13	8	F-1499	LUG NUT, 1/2-20, YZ
14	4	F-1521	WASHER, 1/2" CUSTOM, YZ
15	2	F-1663	HHCS, 1/2-13 X 7-1/2", YZ, GR5
16	2	F-2141	FHCS, 3/8-16 X 1", YZ, GR5
17	2	F-2143	FHCS, 1/2-13 X 1", YZ, GR5
18	2	F-2151	NUT, 3/8-16 NYLOC, FLANGED, YZ
19	2	F-2152	NUT, 1/2-13 NYLOC, FLANGED, YZ
20	2	F-2179	WASHER, CASTER, .531 ID X 2.25 OD X .25THK, YZ
21	2	H-1056	1/4" GREASE FITTING

AVENUE/BOULEVARD
(A115/B215)

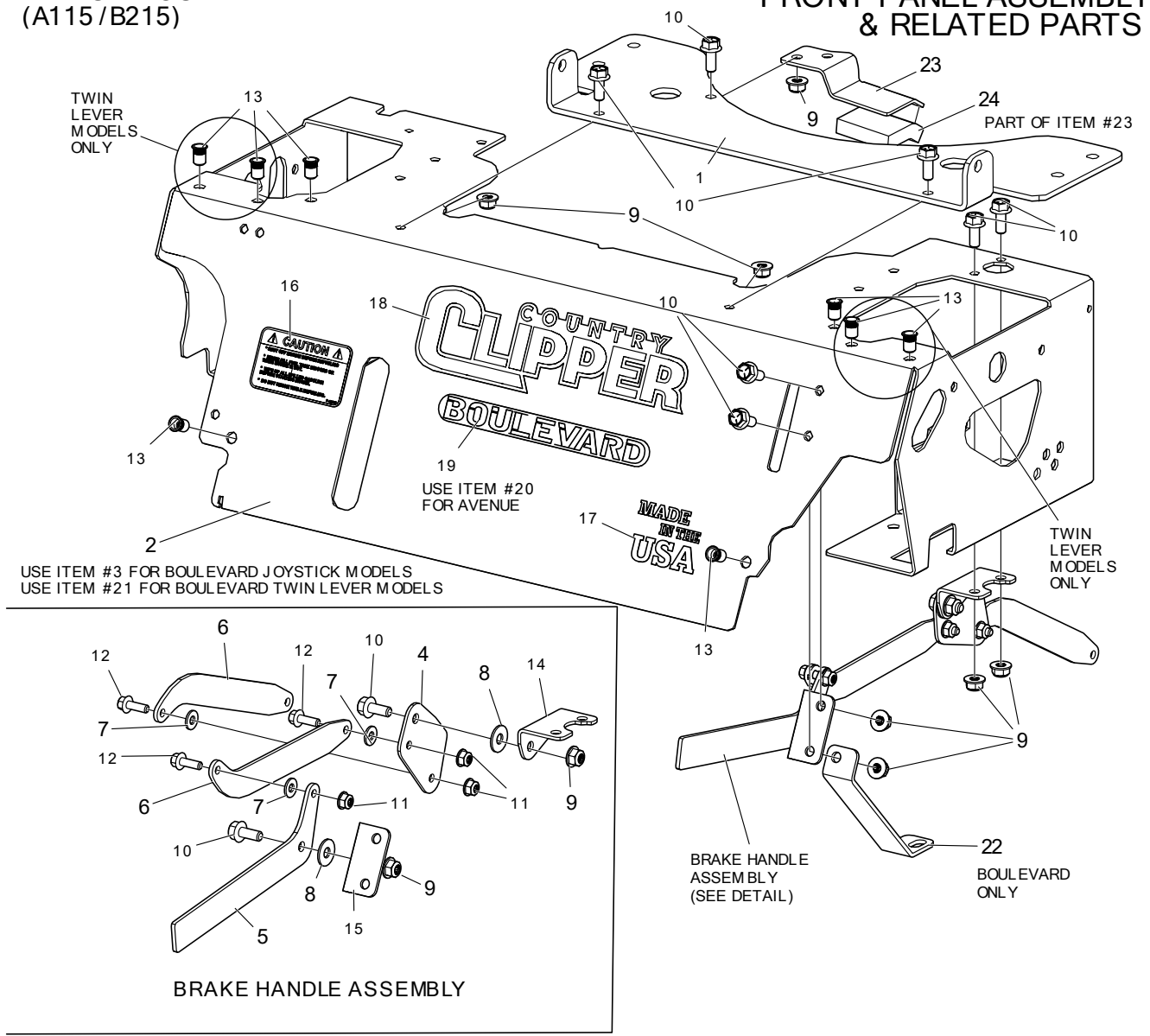
FOOT DECK & TIRES
{BOULEVARD}



ITEM #	QTY	PART #	DESCRIPTION
1	2	659-092P	WHEEL BACKING PLATE
2	2	714-219W	WLDT, CASTER YOKE
3	1	714-046P	PLATE, FLOOR
4	4	714-252P	CAP, BEARING, SMALL, 3/4"
5	2	720-047P	DRAG RING - SERIAL RANGE: 21286001 - 21353999
-	2	720-135P	DRAG RING, (FOR 5MM O-RING) - SERIAL RANGE: 21354001 -
6	2	720-048P	SPACER, BEARING, CASTER
7	4	D-2008-02	BEARING, SPD, SF-16-32
8	2	D-4031	TIRE ASSY, 20 X 10-10, BLACK
9	2	D-4032	TIRE ASSY 20 X 12-10, BLACK
10	2	D-4030	TIRE ASSY, 13 X 6.5-6, BLACK, SM BEARING, SMOOTH
11	2	D-3969	O-RING, 70 DURO NITRILE - SERIAL RANGE: 21286001 - 21353999
-	2	D-4190	O-RING, 5MM X 44MM I.D. - SERIAL RANGE: 21354001 -
12	2	D-3977	SPACER FOR D-4030
13	4	D-3978	BEARING FOR D-4030
14	8	F-1499	LUG NUT, 1/2-20, YZ
15	2	F-2141	FHCS, 3/8-16 X 1", YZ, GR5
16	2	F-2143	FHCS, 1/2-13 X 1", YZ, GR5
17	2	F-2151	NUT, 3/8-16 NYLOC, FLANGED, YZ
18	2	F-2179	WASHER, CASTER, .531 ID X 2.25 OD X .25THK, YZ
19	2	F-2194	HHCS, 3/4-10 X 9-1/2", YZ, GR5
20	2	F-2195	NUT, FLANGE NYLOC, YZ
21	2	H-1056	1/4" GREASE FITTING

AVENUE/BOULEVARD
(A115 /B215)

FRONT PANEL ASSEMBLY
& RELATED PARTS

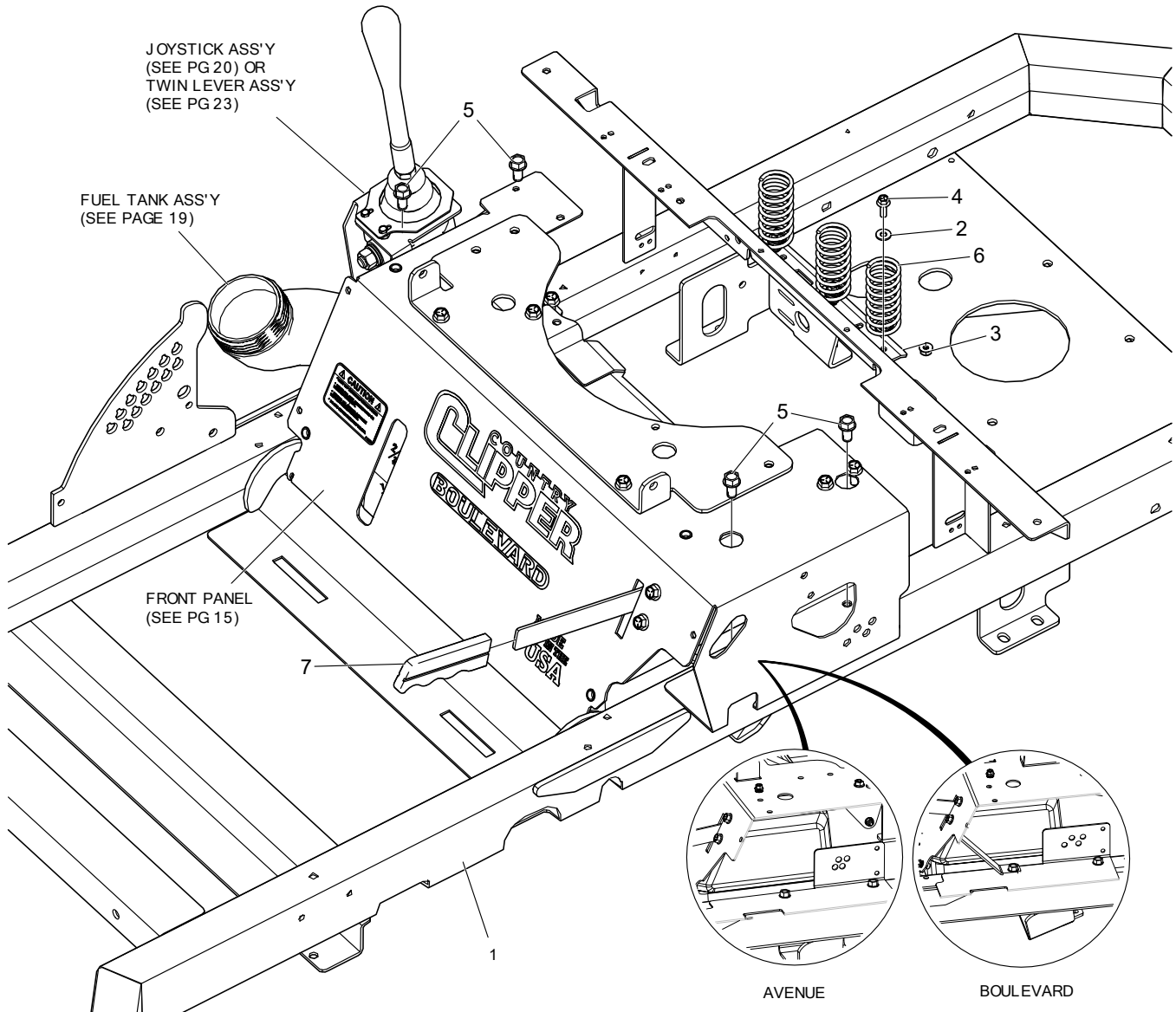


ITEM #	QTY	PART #	DESCRIPTION
1	1	720-113P	PLATE, BASE, SEAT MOUNT
2	1	720-125A	FRONT PANEL W/ DECALS, AVE, JS
3	1	720-127A	FRONT PANEL W/ DECALS, BLVD, JS
4	1	714-345P	CRANK PLATE, PARK BRAKE
5	1	714-346P	HANDLE, PARK BRAKE
6	2	714-349P	BAR, LINK, PARK BRAKE
7	3	F-1009-01	WASHER, FLAT STD, STEEL, 1/4" YZ
8	2	F-1009-02	WASHER, FLAT
9	9	F-2063	NUT, 5/16-18, NYLOC, FLANGED, YZ
10	9	F-2120	FHCS, 5/16-18 X 3/4", YZ, GR5
11	3	F-2132	NUT, 1/4-20 NYLOC, FLANGED, YZ
12	3	F-2162	FHCS, 1/4-20 X 3/4", YZ, GR5

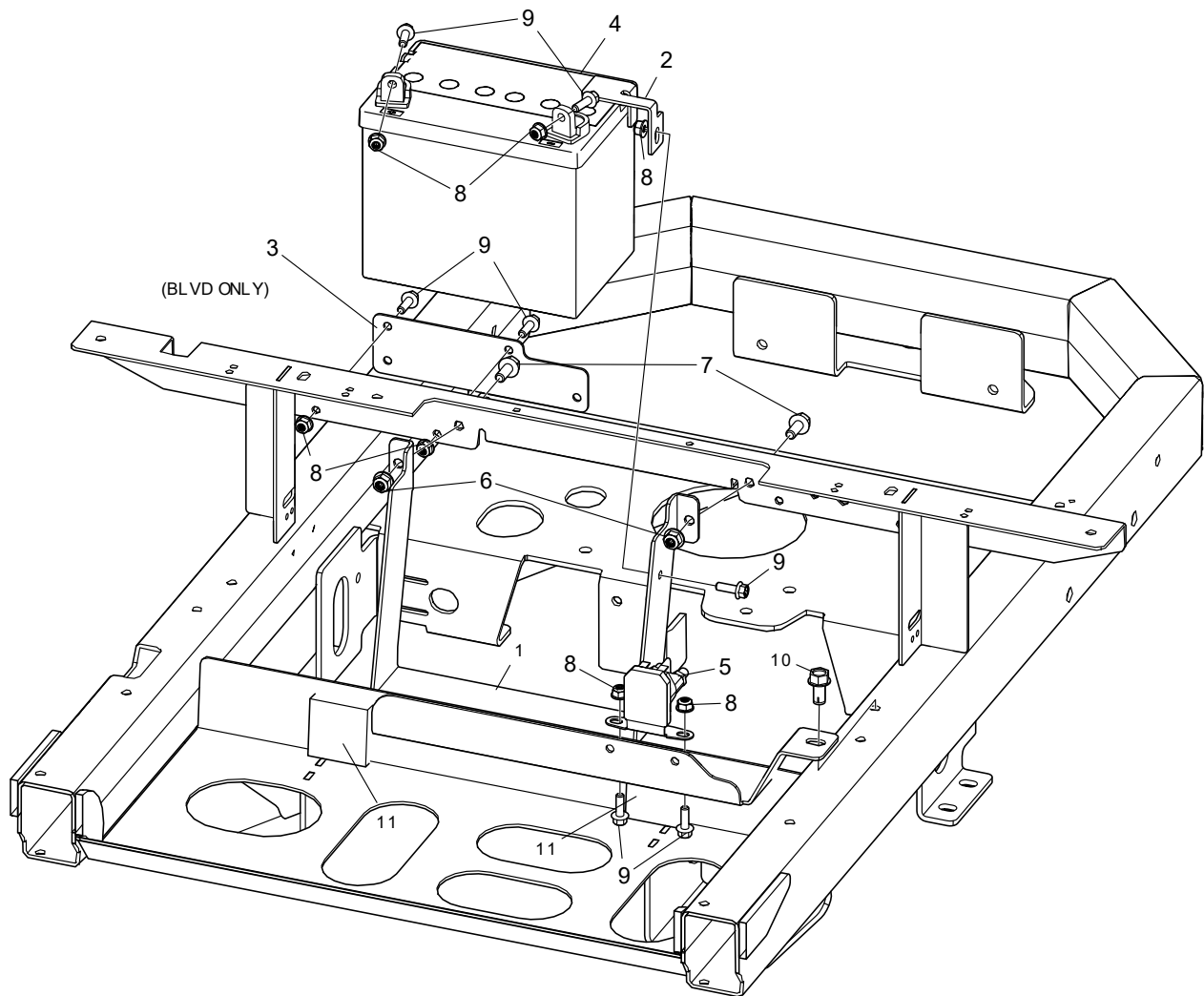
ITEM #	QTY	PART #	DESCRIPTION
13	8	F-2229	NUT, RIVET, 1/4-20, .027-.165 MAT'L THK
14	1	H-2934	PIVOT, BRAKE CRANK
15	1	H-2935	PLATE, BRAKE HANDLE
16	1	P-12557	DECAL, "CAUTION FUEL"
17	1	P-13000	DECAL, MADE IN THE USA
18	1	P-13312	DECAL, LOGO, CHROME w/BLK, LG
19	1	P-13314	DECAL, BOULEVARD
20	1	P-13313	DECAL, AVENUE
21	1	720-128A	FRONT PANEL W/ DECALS, BLVD, TS
22	1	714-351P	BRACE, FRONT PANEL
23	1	714-444A	TANK STOP - FOAM PADDED
24	1	H-2990	NEOPRENE FOAM W/ (ADHESIVE) 1/2"

AVENUE/BOULEVARD
(A115/B215)

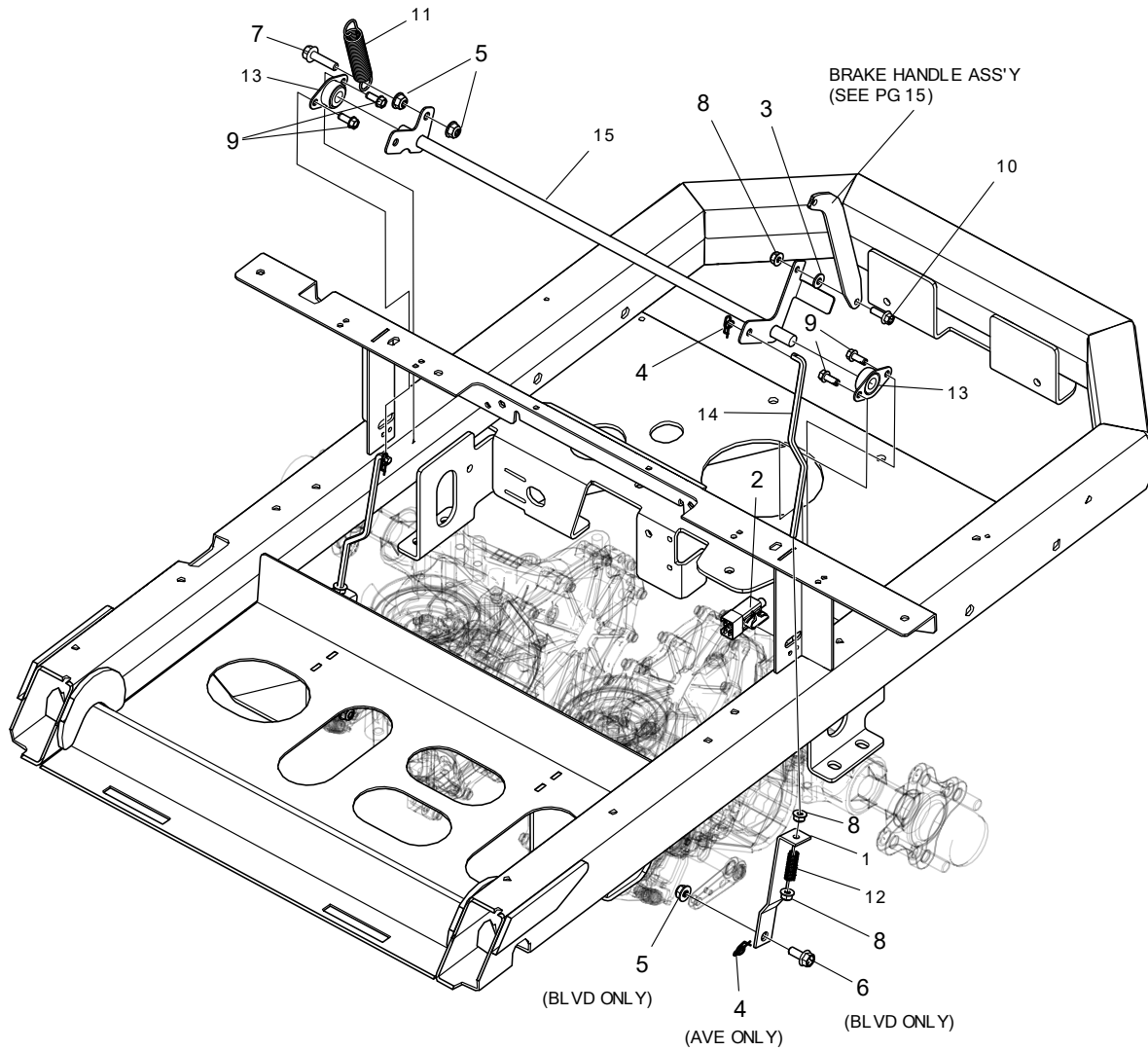
FRONT PANEL ASSEMBLY
& RELATED PARTS (CONT)



ITEM #	QTY	PART #	DESCRIPTION
1	1	H-3195	WLDT, FRAME, FIXED FRONT END
2	3	F-1009-01	WASHER, FLAT STD, STEEL, 1/4" YELLOW PLATED
3	3	F-2132	NUT, 1/4-20 NYLOC, FLANGED, YZ
4	3	F-2162	FHCS, 1/4-20 X 3/4", YZ, GR5
5	4	F-2219	HFCS, 3/8-16 X 3/4", CZ, THD FORMING
6	3	H-1920	SPRING, SEAT
7	1	H-1926	1/4" X 1" HANDLE GRIP

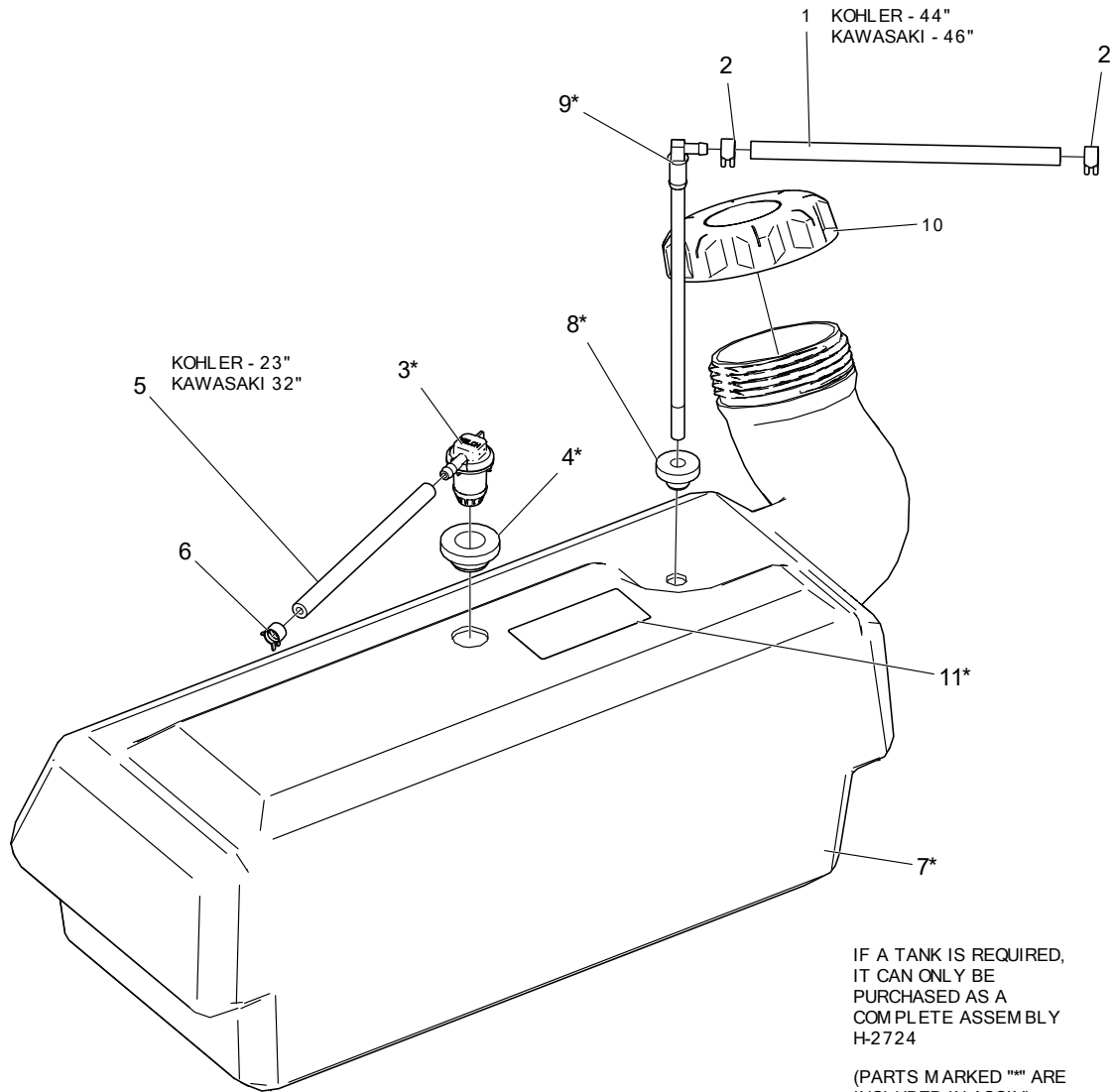


ITEM #	QTY	PART #	DESCRIPTION
1	1	714-034P	BOX, BATTERY
2	1	714-430P	PLT, BATTERY HOLD DOWN
3	1	721-029P	PLT, TANK MOUNT
4	1	E-6604	BATTERY, 12V, 150CCA
5	1	E-6612	SOLENOID, 12V STARTER, 4 TERM, UNSEALED
6	2	F-2063	NUT, 5/16-18, NYLOC, FLANGED, YZ
7	2	F-2120	FHCS, 5/16-18 X 3/4", YZ, GR5
8	7	F-2132	NUT, 1/4-20 NYLOC, FLANGED, YZ
9	7	F-2162	FHCS, 1/4-20 X 3/4", YZ, GR5
10	1	F-2219	HFCS, 3/8-16 X 3/4", CZ, THD FORMING
11	2	H-2990	WEATHER-RESISTANT NEOPRENE FOAM (ADHESIVE) 1/2"



ITEM #	QTY	PART #	DESCRIPTION
1	2	659-159P	BRAKE LINK
2	1	E-6692	PLUNGER SWITCH, RAIL MOUNT
3	1	F-1009-01	FLAT WASHER, 1/4", YZ
4	4	F-1492	RUE RING, 5/16
5	4	F-2063	NUT, 5/16-18, NYLOC, FLANGED, YZ
6	2	F-2120	FHCS, 5/16-18 X 3/4", YZ, GR5
7	1	F-2122	FHCS, 5/16-18 X 1-1/4", YZ, GR5, FULL THD
8	5	F-2132	NUT, 1/4-20 NYLOC, FLANGED, YZ
9	4	F-2134	HFCS, 1/4-20 X 0.625", YZ, SELF TAPPING
10	1	F-2162	FHCS, 1/4-20 X 3/4", YZ, GR5
11	1	H-1635	SPRING, EXT, 3/4" OD X 4" OAL
12	2	H-1637	COMPRESSION SPRING, .045 X .420 X 1.25
13	2	H-2921	FLANGE BEARING-0.500"
14	2	H-2924	BRAKE LINK ROD
15	1	H-2953	WLDT, PARK BRAKE

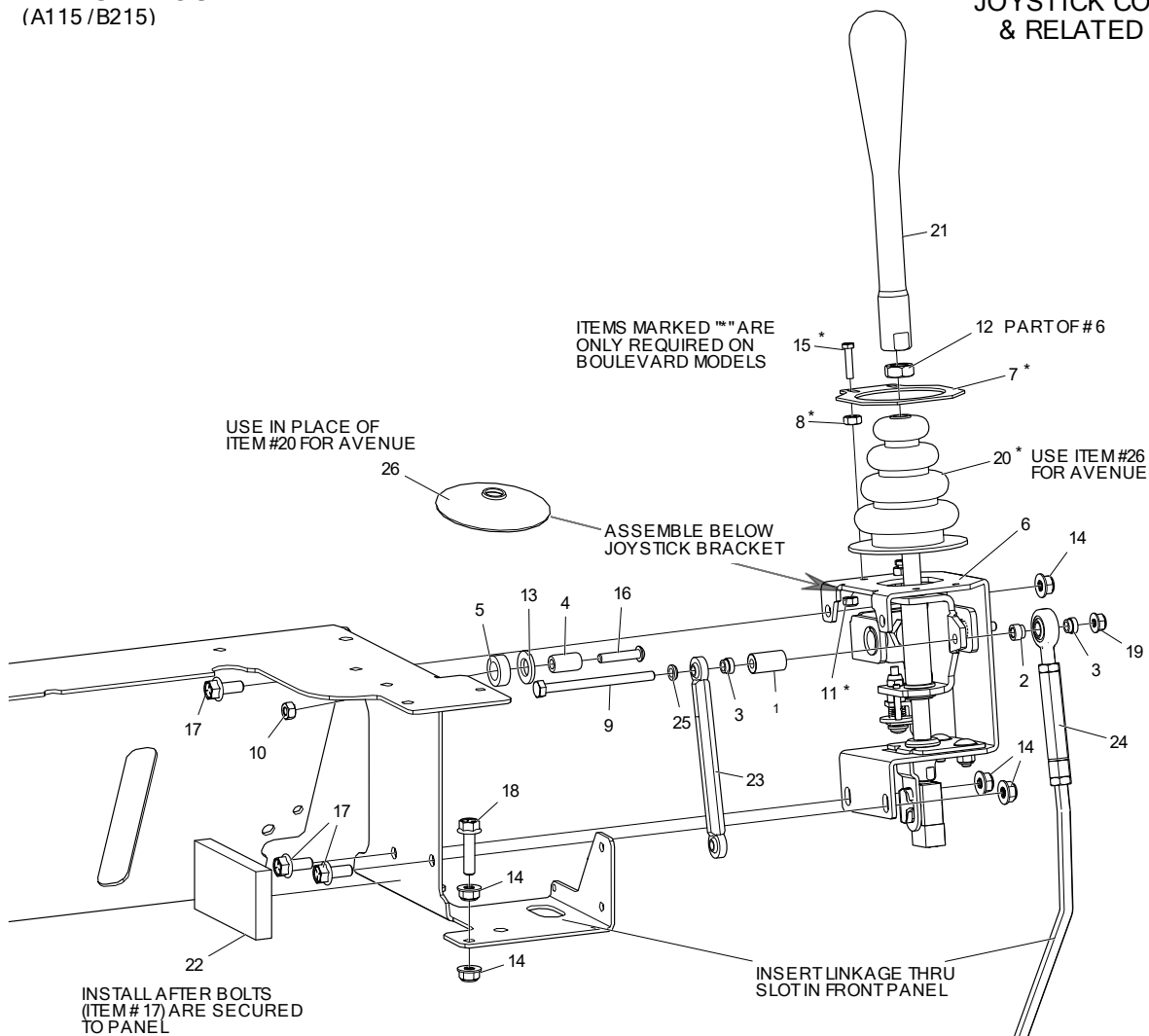
FUEL TANK ASSEMBLY



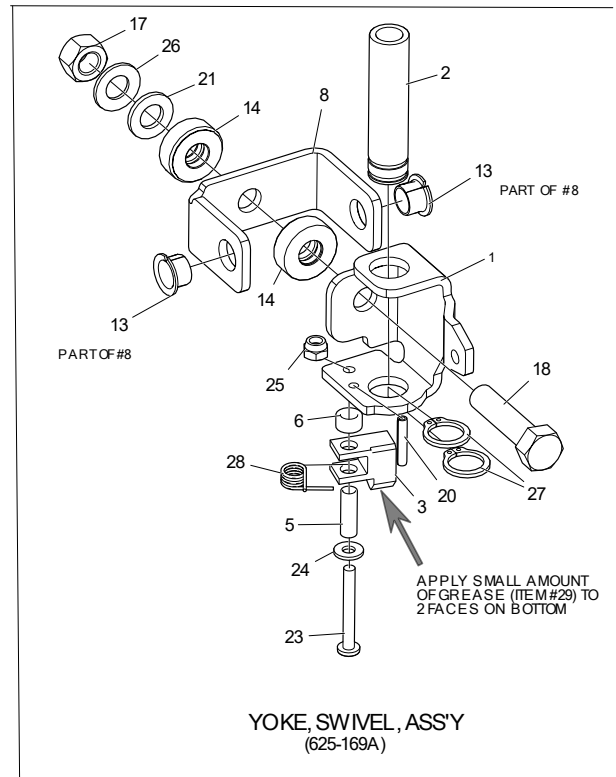
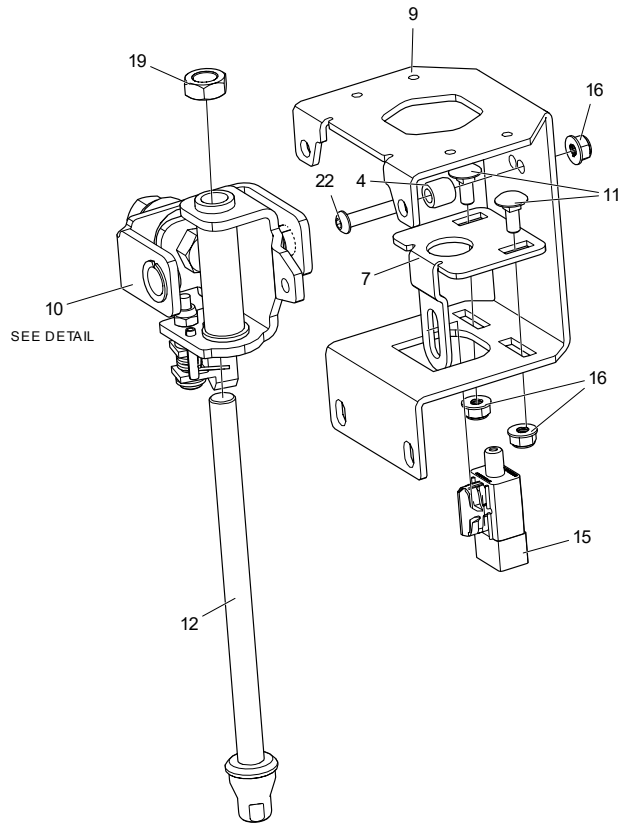
IF A TANK IS REQUIRED,
IT CAN ONLY BE
PURCHASED AS A
COMPLETE ASSEMBLY
H-2724

(PARTS MARKED "*" ARE
INCLUDED IN ASS'Y)

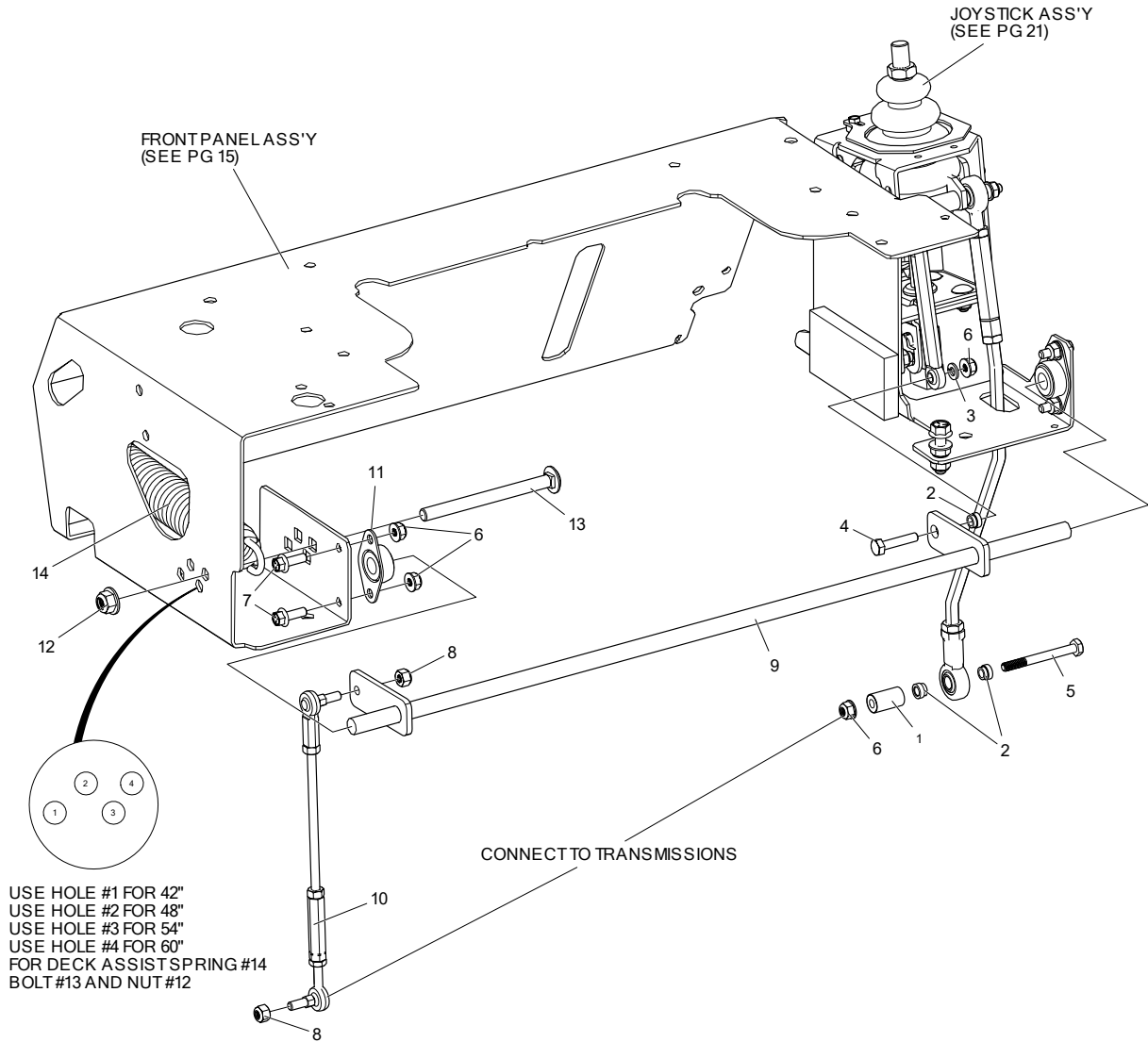
ITEM #	QTY	PART #	DESCRIPTION
1	1	H-1648	FUEL LINE, 1/2" O.D., 1/4" I.D.
2	2	H-1687	1/2 O.D. HOSE SPRING CLAMP
3	1	H-2678	KELCH REMOTE VENT
4	1	H-2679	KELCH REMOTE VENT GROMMET
5	1	H-2697	HOSE, FUEL LINE .188 ID X .406 OD
6	1	H-2698	CLAMP, .406 OD FUEL LINE
7	1	H-2724	ASSEMBLY, FUEL TANK, SMALL
8	1	H-2741	GROMMET, PICK UP TUBE (DAPCO #12240)
9	1	H-2742	PICK UP TUBE (DAPCO INDUSTRIES)
10	1	H-2743	RATCHET CAP, W/TETHER, 3.5 DIA
11	1	P-12922	VENDOR SUPPLIED EPA CERT. LABEL



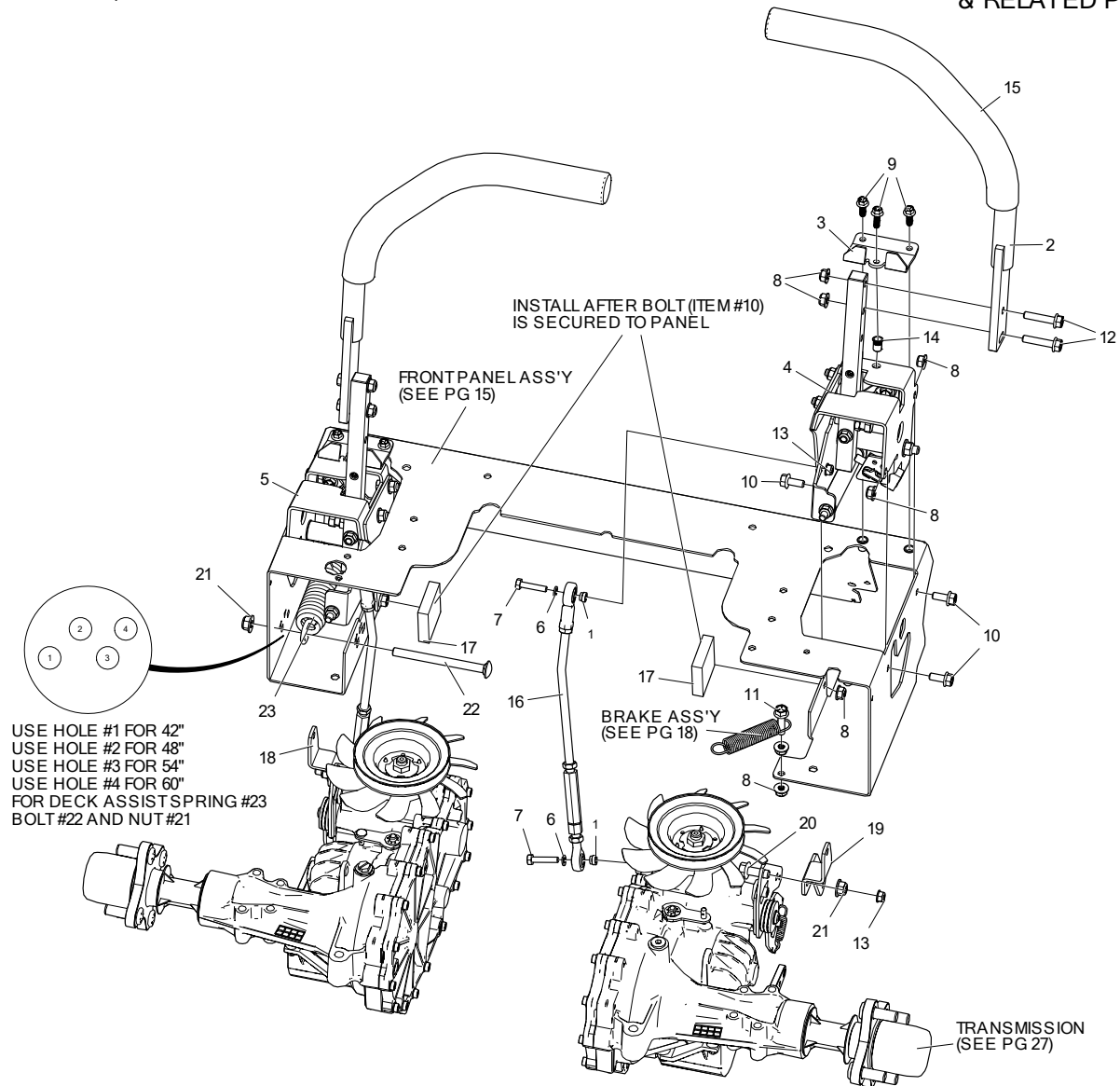
ITEM #	QTY	PART #	DESCRIPTION
1	1	625-100P	TUBE, PIVOT, JOYSTICK
2	1	625-107P	BUSHING, .375 ROD END
3	2	625-116P	BUSHING, .375 ROD END, SHORT
4	1	625-119P	PIN, PIVOT, JS, LONG
5	1	625-126P	SPACER, JOYSTICK PANEL
6	1	714-455A	RH JOYSTICK ASSEMBLY
7	1	720-038P	PLT, BOOT RETAINER
8	2	F-1011-01	NUT, HEX, 1/4-20 UNC-2B YELLOW PLATED
9	1	F-1020-01	CAPSCREW, 1/4-20 X 3-1/2", YZ, GR5
10	1	F-1158	NUT, CENTERLOCK, 1/4-20, YZ, GR5
11	2	F-1448	LOCKNUT, 10-32 NYLOC YELLOW PLTD
12	1	F-1462	JAM NUT, 1/2-20, RH, YZ
13	1	F-1521	WASHER, 1/2" CUSTOM, YZ
14	5	F-2063	NUT, 5/16-18, NYLOC, FLANGED, YZ
15	2	F-2100	HHMS, 10-32 X 7/8", CZ
16	1	F-2103	SHCS, BUTTON HD, 1/4-20 X 1-1/4", CZ
17	3	F-2120	FHCS, 5/16-18 X 3/4", YZ, GR5
18	1	F-2122	FHCS, 5/16-18 X 1-1/4", YZ, GR5, FULL THD
19	1	F-2132	NUT, 1/4-20 NYLOC, FLANGED, YZ
20	1	H-1991	JOY STICK BOOT
21	1	H-2964	HANDLE, JOYSTICK
22	1	H-2990	WEATHER-RESISTANT NEOPRENE FOAM (ADHESIVE) 1/2"
23	1	H-3025	LINKAGE: UPPER: 1/4-28 X 5
24	1	H-3198	LINKAGE ASSEMBLY, JS
25	1	H-1989	BUSHING BALL JOINT
26	1	H-2947	BOOT, LOW PROFILE



ITEM #	QTY	PART #	DESCRIPTION
1	1	625-096P	YOKE, SWIVEL, JOYSTICK
2	1	625-099P	TUBE, GUIDE, CONTROL ROD
3	1	625-103P	TAB, CAM DETENT
4	1	625-106P	PIN, PIVOT, JS
5	1	625-124P	TUBE-SPACER, DETENT CAM
6	1	625-125P	SPACER, CAM DETENT
7	1	724-114P	JOYSTICK NEUTRAL PLATE
8	1	625-128A	PIVOT ASSEMBLY
9	1	724-113P	JOYSTICK HOUSING
10	1	625-169A	YOKE, SWIVEL ASSEMBLY
11	2	F-2155	BOLT, CARRIAGE, 1/4-20 X 5/8", YZ, GR5
12	1	709-169A	ROD ASSEMBLY, SHORT, 1/2"
13	2	D-3784	BUSHING, DU 1/2 DIA X 3/8 WIDE
14	2	D-3931	THRUST BEARING
15	1	E-6692	PLUNGER SWITCH, RAIL MOUNT
16	3	F-2132	NUT, FLANGED, 1/4-20 w/NYLOC, YZ
17	1	F-1005-05	NUT, 1/2-13, CENTERLOCK, YZ, GR5
18	1	F-1293	HHCS, 1/2-13 X 2", YZ, GR5
19	1	F-1462	JAM NUT, 1/2-20, RH, YZ
20	1	F-1503	PIN, SPIROL 3/16 DIA X 1 X .010 THK
21	1	F-1521	WASHER, 1/2" CUSTOM, YZ
22	1	F-2103	SHCS, BUTTON HD, 1/4-20 X 1", CZ
23	1	F-2135	SCREW, PANHEAD, PHILLIPS #12-24 X 1.75 CZ
24	1	F-2136	WASHER, FLAT, #12 PLAIN, CZ
25	1	F-2137	NUT, #12-24, NYLOCK
26	1	H-2704	SPRING, BELLEVILLE, .50 X 1 X .073
27	2	H-2705	RING, RETAINING, .75 EXT.
28	1	H-2710	SPRING, DETENT, JOYSTICK
29	1	C-6202	GREASE, CHEVRON RYKOTAC GREASE EP

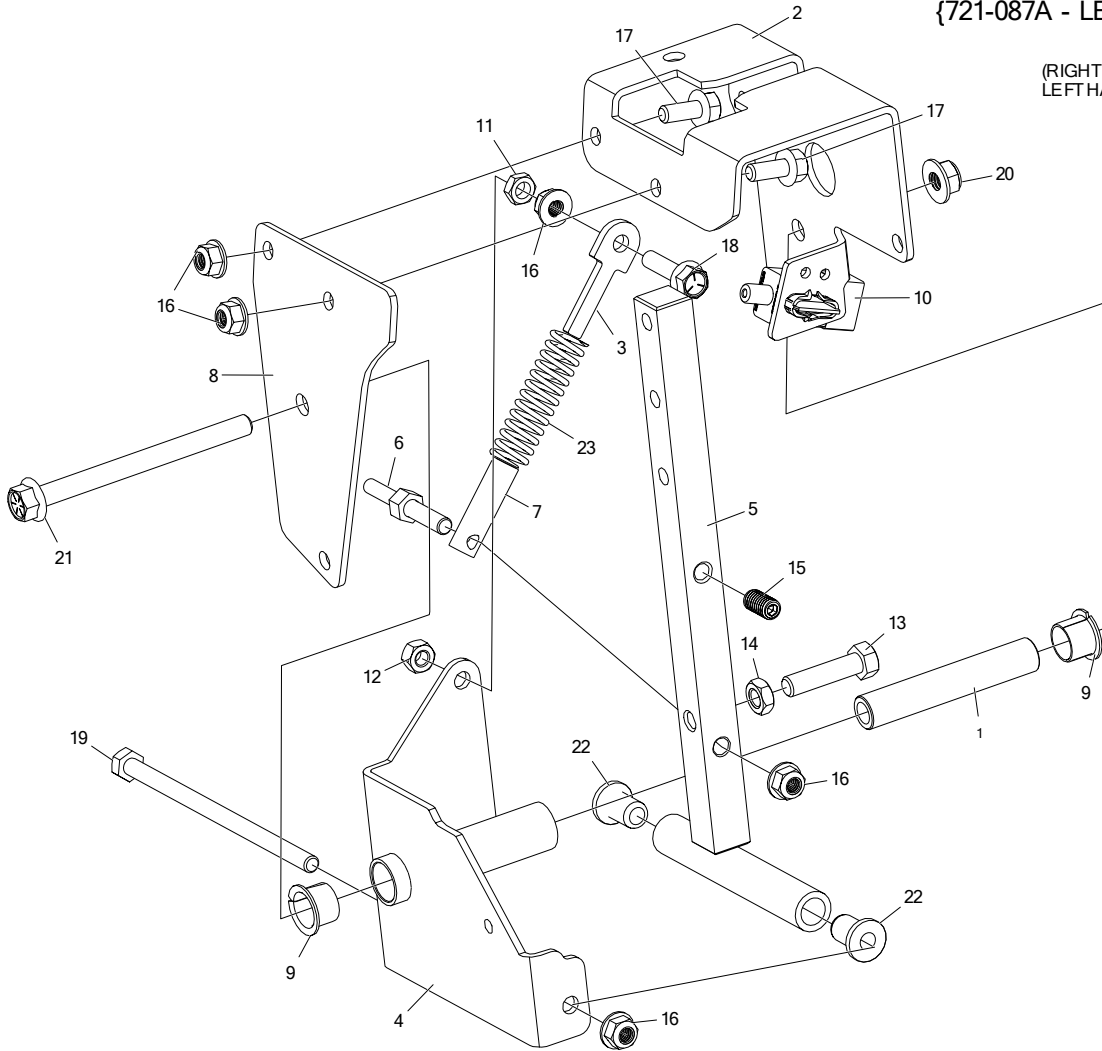


ITEM #	QTY	PART #	DESCRIPTION
1	1	625-100P	TUBE, PIVOT, JOYSTICK
2	3	625-116P	BUSHING, .375 ROD END, SHORT
3	1	F-1019-01	WASHER, LOCK, 1/4, YZ
4	1	F-1539	HHCS, 1/4-20 X 1-1/4", YZ, GR5
5	1	F-1703	CAPSCREW, HEXHD 1/4-20 X 2-1/2"
6	6	F-2132	NUT, 1/4-20 NYLOC, FLANGED, YZ
7	4	F-2162	FHCS, 1/4-20 X 3/4", YZ, GR5
8	2	F-2202	NUT, 1/4-20, NYLOC, YZ
9	1	H-2954	WLDT, JS PIVOT SHAFT
10	1	H-3021	LINKAGE, CONTROL LOWER
11	2	H-2921	FLANGE BRG., 0.500
12	1	F-2151	NUT, 3/8-16 NYLOC, FLANGED, YZ
13	1	F-2267	BOLT, CARRIAGE, 3/8-16 X 4-1/2", YZ, GR5, PARTIAL THD
14	1	H-2900	SPRING, DECK COUNTER BALANCE



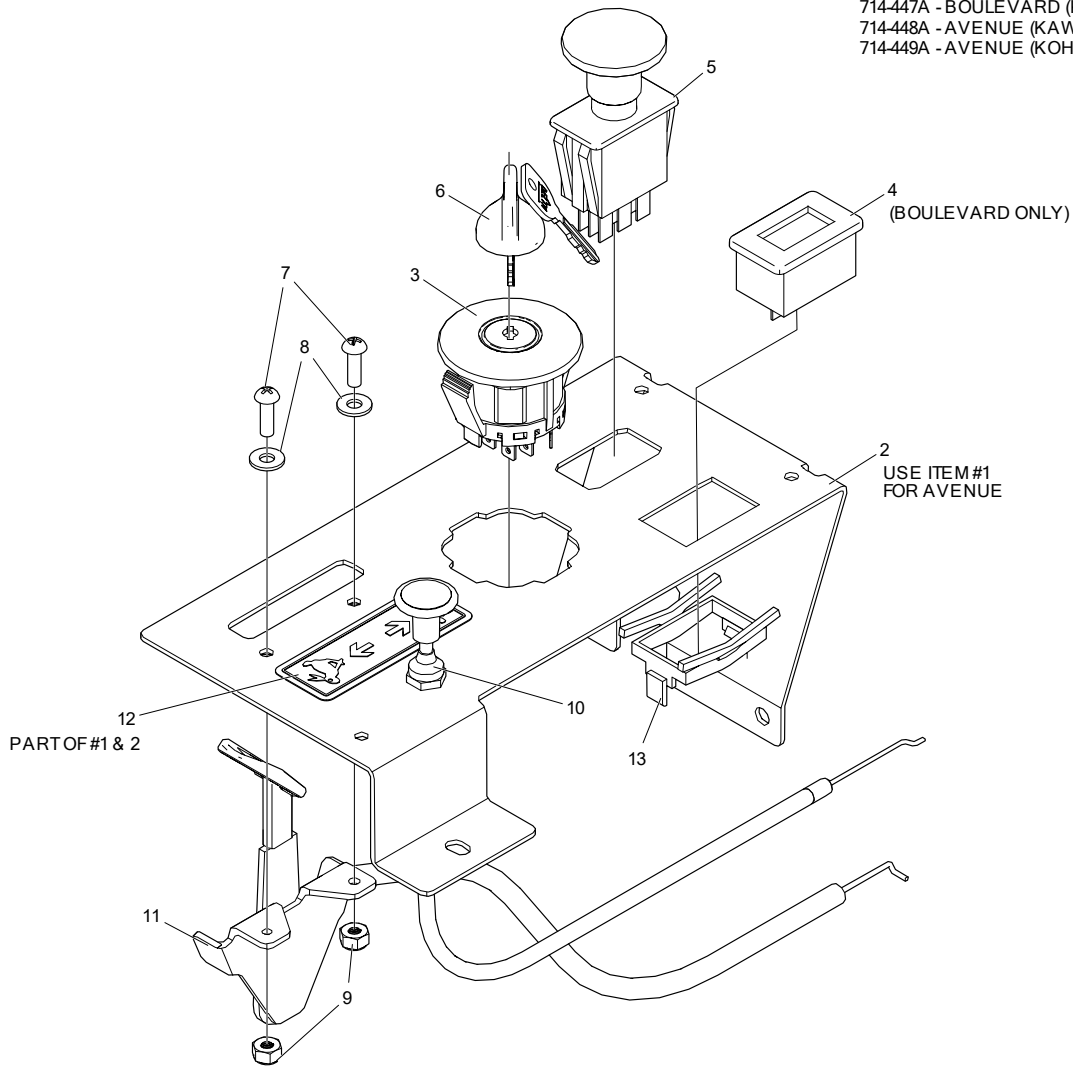
ITEM #	QTY	PART #	DESCRIPTION
1	4	625-116P	BUSHING, .375 ROD END, SHORT
2	2	659-375W	WLDT, DUAL LEVER
3	2	720-053P	PLT, TWIN LEVER SUPPORT
4	1	721-086A	ASSY, TS CONTROL, R
5	1	721-087A	ASSY, TS CONTROL, L
6	4	F-1019-01	WASHER, LOCK, 1/4, YZ
7	4	F-1716	CAPSCREW HX 1/4-20 X 1-1/2 GR5, YZ
8	12	F-2063	NUT, 5/16-18, NYLOC, FLANGED, YZ
9	6	F-2119	FHCS, 1/4-20 X 3/4", YZ, GR5, LOCK PATCH
10	6	F-2120	FHCS, 5/16-18 X 3/4", YZ, GR5
11	1	F-2122	FHCS, 5/16-18 X 1-1/4", YZ, GR5, FULL THD
12	4	F-2129	FHCS, 5/16-18 X 1-1/2", YZ, GR5
13	4	F-2132	NUT, 1/4-20 NYLOC, FLANGED, YZ
14	2	F-2229	NUT, RIVET, 1/4-20, OPEN END, .027-.165 MAT'L THK
15	2	H-2739	GRIP, 15", CLOSED END
16	2	H-3037	LINKAGE, OUTER, JS
17	2	H-2990	WEATHER-RESISTANT NEOPRENE FOAM (ADHESIVE) 1/2"
18	1	721-121P	BRACKET, DAMPER OFFSET, LH
19	1	721-122P	BRACKET, DAMPER OFFSET, RH
20	2	F-2141	FHCS, 3/8-16 X 1", YZ, GR5
21	3	F-2151	NUT, 3/8-16 NYLOC, FLANGED
22	1	F-2267	BOLT, CARRIAGE, 3/8-16 X 4-1/2, YZ, GRD, PARTIAL THD
23	1	H-2900	SPRING, DECK COUNTER BALANCE

(RIGHT HAND SHOWN,
LEFT HAND OPPOSITE)

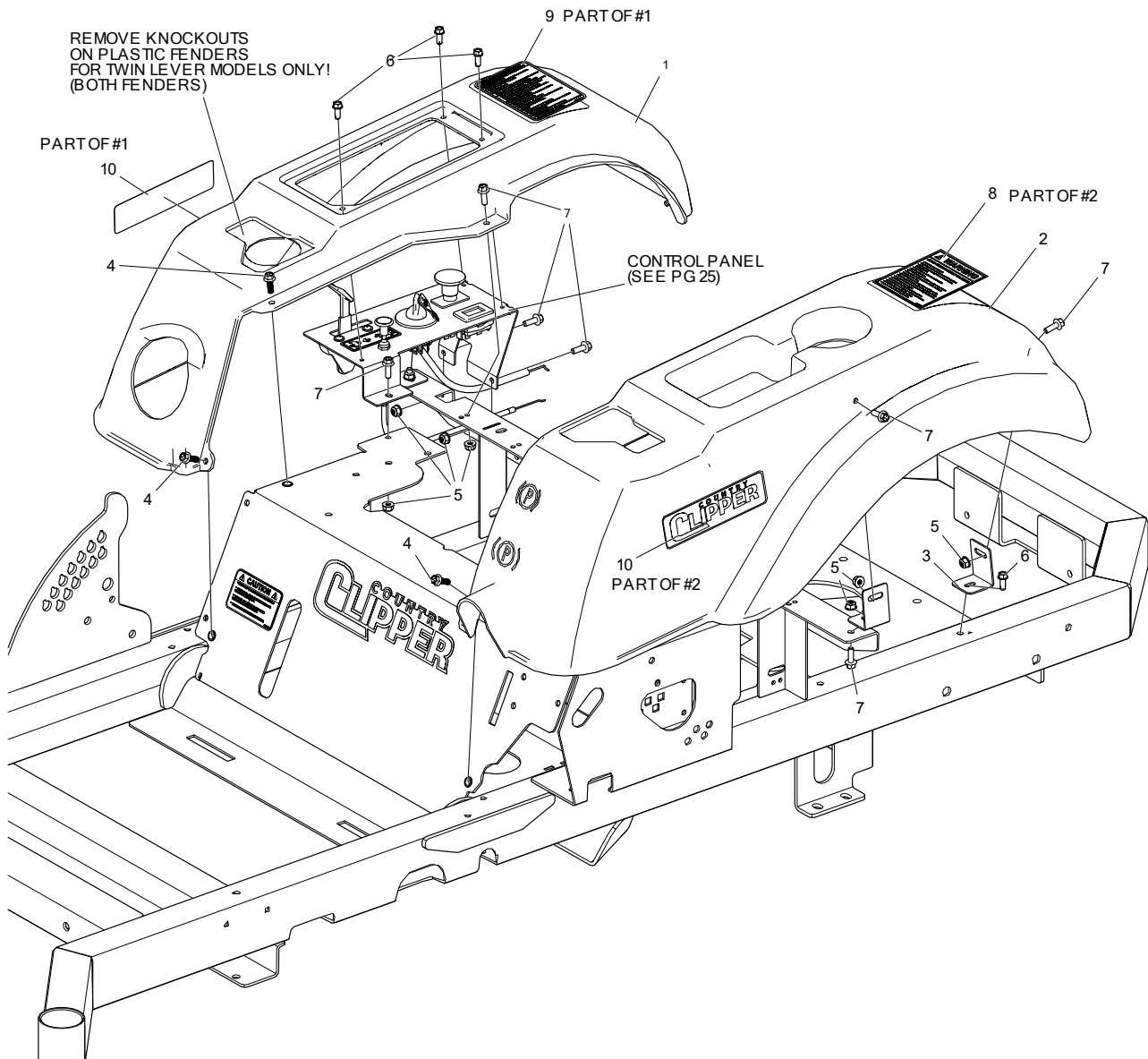


ITEM #	QTY	PART #	DESCRIPTION
1	1	714-074P	PIN, PIVOT, TWIN LEVER
2	1	714-266P	HOUSING, TWIN LEVER, R
-	1	714-269P	HOUSING, TWIN LEVER, L
3	1	721-006P	SPRING GUIDE, TS
4	1	721-088W	WLDT, TWIN LEVER PIVOT, R
-	1	721-089W	PIVOT WELDMENT OVER-CENTER, L
5	1	721-090W	WLDT, HANDLE BASE
6	1	721-093P	PIN, SPRING OVER-CENTER
7	1	721-094P	SPRING GUIDE, TS OVER-CENTER
8	1	721-103P	PLT, TS HOUSING, R
-	1	721-104P	PLT, TS HOUSING, L
9	2	D-3730	BUSHING, DU 5/8 DIA X 1/2 LG
10	1	E-6692	PLUNGER SWITCH, RAIL MOUNT
11	1	F-1011-02	NUT, HEX 5/16-18
12	1	F-1125	NUT, CENTERLOCK, 5/16-18, YZ, GR5
13	1	F-1306	HHCS, 3/8-16 X 1-1/2", FULL THRD, CZ, GR5
14	1	F-1486	NUT, JAM, 3/8-16, YZ
15	1	F-1903	SETSCREW, 3/8-16 X 3/4" W/ NYLON
16	5	F-2063	NUT, 5/16-18, NYLOC, FLANGED, YZ
17	2	F-2120	FHCS, 5/16-18 X 3/4", YZ, GR5
18	1	F-2122	FHCS, 5/16-18 X 1-1/4", YZ, GR5, FULL THD
19	1	F-2145	HHCS, 5/16-18 X 6", YZ, GR8
20	1	F-2151	NUT, 3/8-16 NYLOC, FLANGED, YZ
21	1	F-2160	FHCS, 3/8-16 X 4-1/2", YZ, GR5
22	2	H-3009	BUSHING, 0.313, NYLON, FLANGED
23	1	H-3079	SPRING, TS OVER CENTER

714447A - BOULEVARD (KOHLER)
714448A - AVENUE (KAWASAKI)
714449A - AVENUE (KOHLER)



ITEM #	QTY	PART #	DESCRIPTION
1	1	714-456A	CONTROL PANEL W/ DECAL, AVENUE
2	1	714-457A	CONTROL PANEL W/ DECAL, BOULEVARD
3	1	E-6717	IGNITION SWITCH, 4 POSITION
4	1	E-5878	HOUR METER
5	1	E-6403	PTO SWITCH
6	1	E-6718	KEY ASSEMBLY
7	2	F-1022-26	MACHINE SCREW, RND, 10-32 X 5/8, SLOTTED, CZ
8	2	F-1071	WASHER, FLAT #10, ZINC PLATED #10 SAE FLAT WASHER
9	2	F-1448	LOCKNUT, 10-32 NYLOC YELLOW PLTD
10	1	H-2287	CHOKE CABLE, 43-1/2"
11	1	H-2610	THROTTLE CABLE, 38", KAWASAKI
-	1	H-2611	THROTTLE CABLE, 57", KOHLER
12	1	P-13481	DECAL, THROTTLE CONTROL
13	1	E-6369	RETAINER CLIP

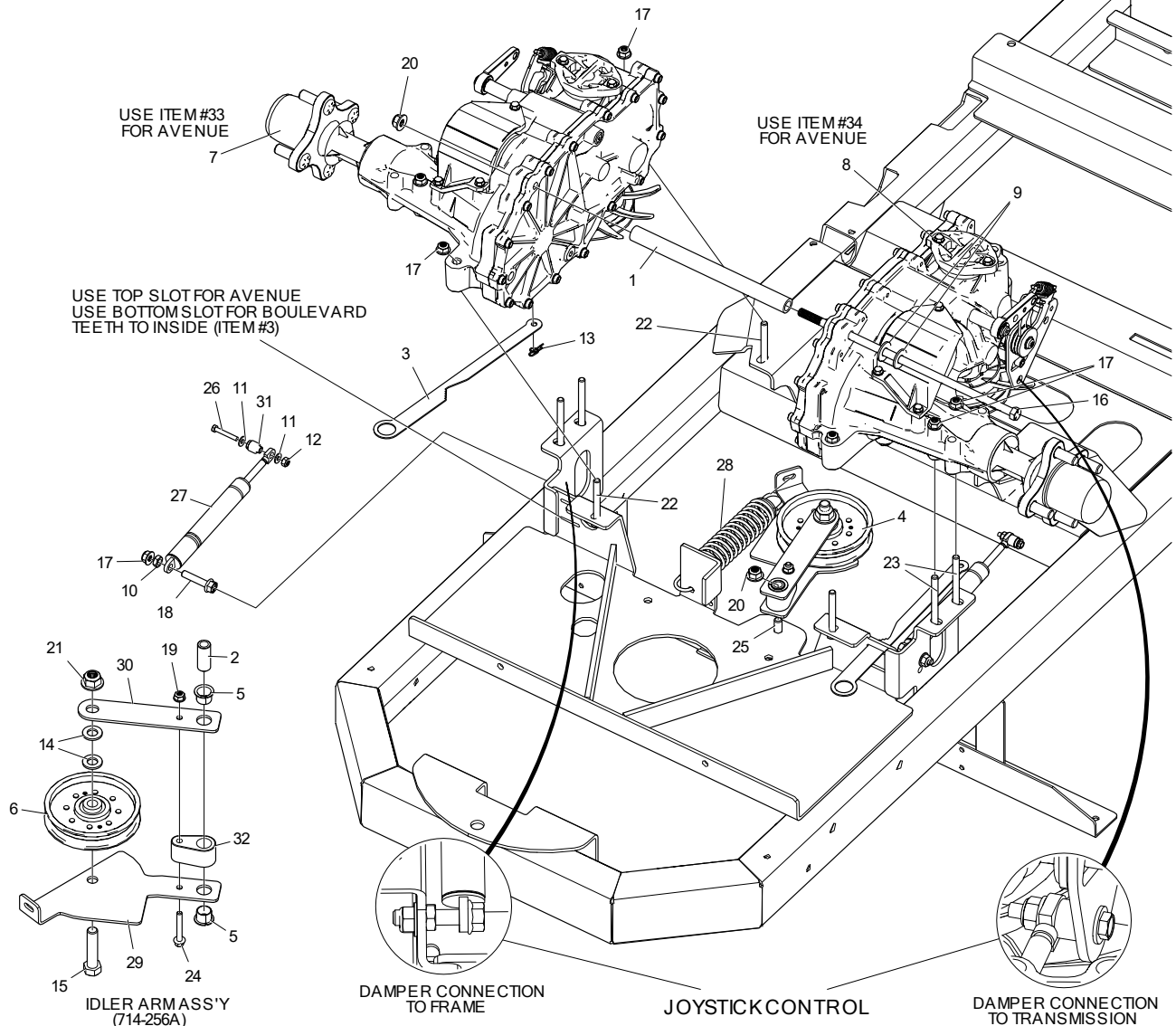


ITEM #	QTY	PART #	DESCRIPTION
1	1	714-037A	COVER, WHEEL FENDER, RH
2	1	714-038A	COVER, WHEEL FENDER, LH
3	4	714-323P	TAB, FENDER MOUNT
4	4	F-2119	FHCS, 1/4-20 X 3/4", YZ, GR5, LOCK PATCH
5	12	F-2132	NUT, 1/4-20 NYLOC, FLANGED, YZ
6	5	F-2134	HFCS, 1/4-20 X 0.625", YZ, SELF TAPPING
7	12	F-2162	FHCS, 1/4-20 X 3/4", YZ, GR5
8	1	P-11370	DECAL, WARNING
9	1	P-13188	DECAL, INSTRUCTIONS
10	2	P-13366	DECAL, C/C LOGO, SM, VINYL

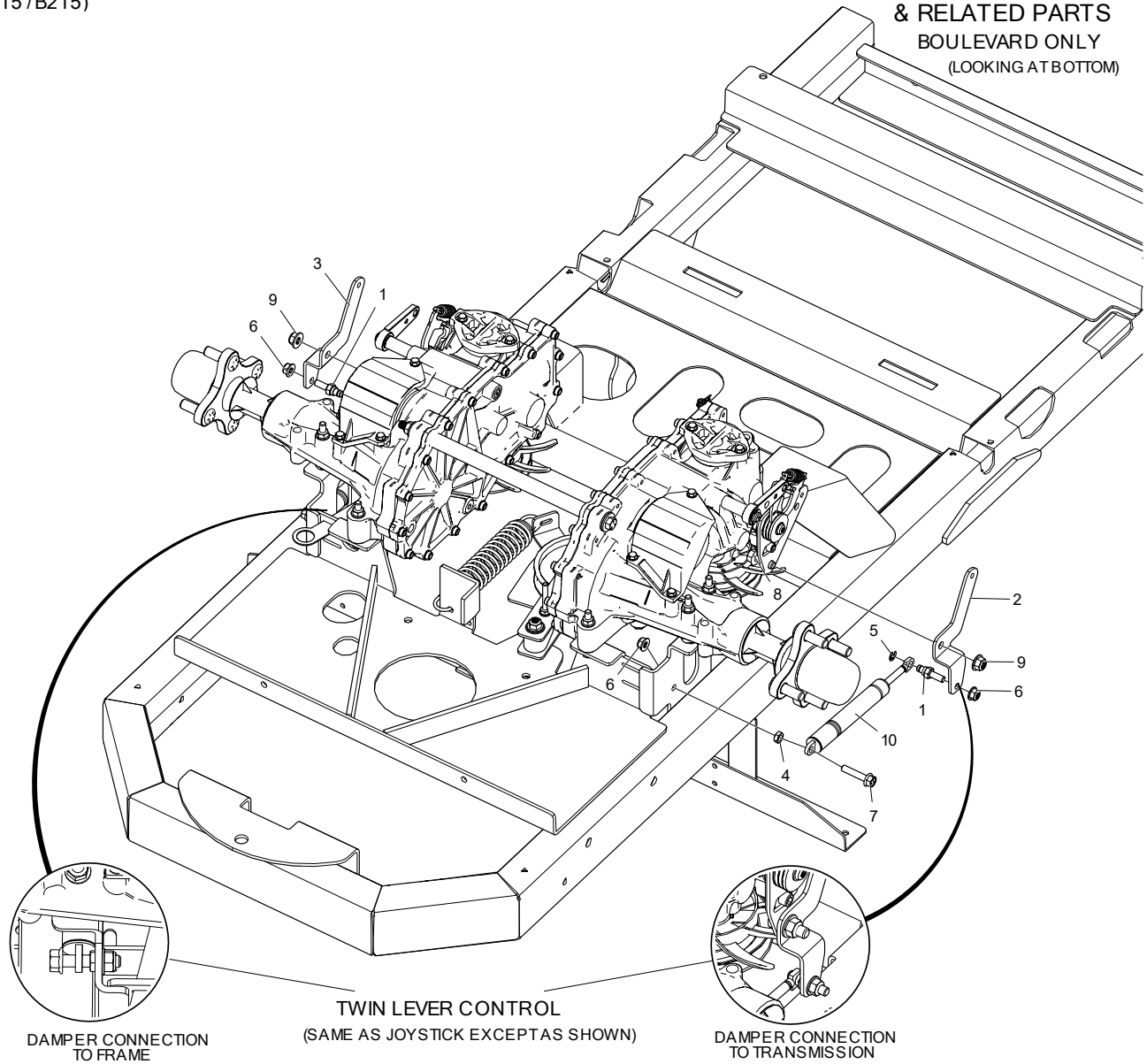
AVENUE / BOULEVARD
(A115/B215)

TRANSMISSION ASSEMBLY
& RELATED PARTS

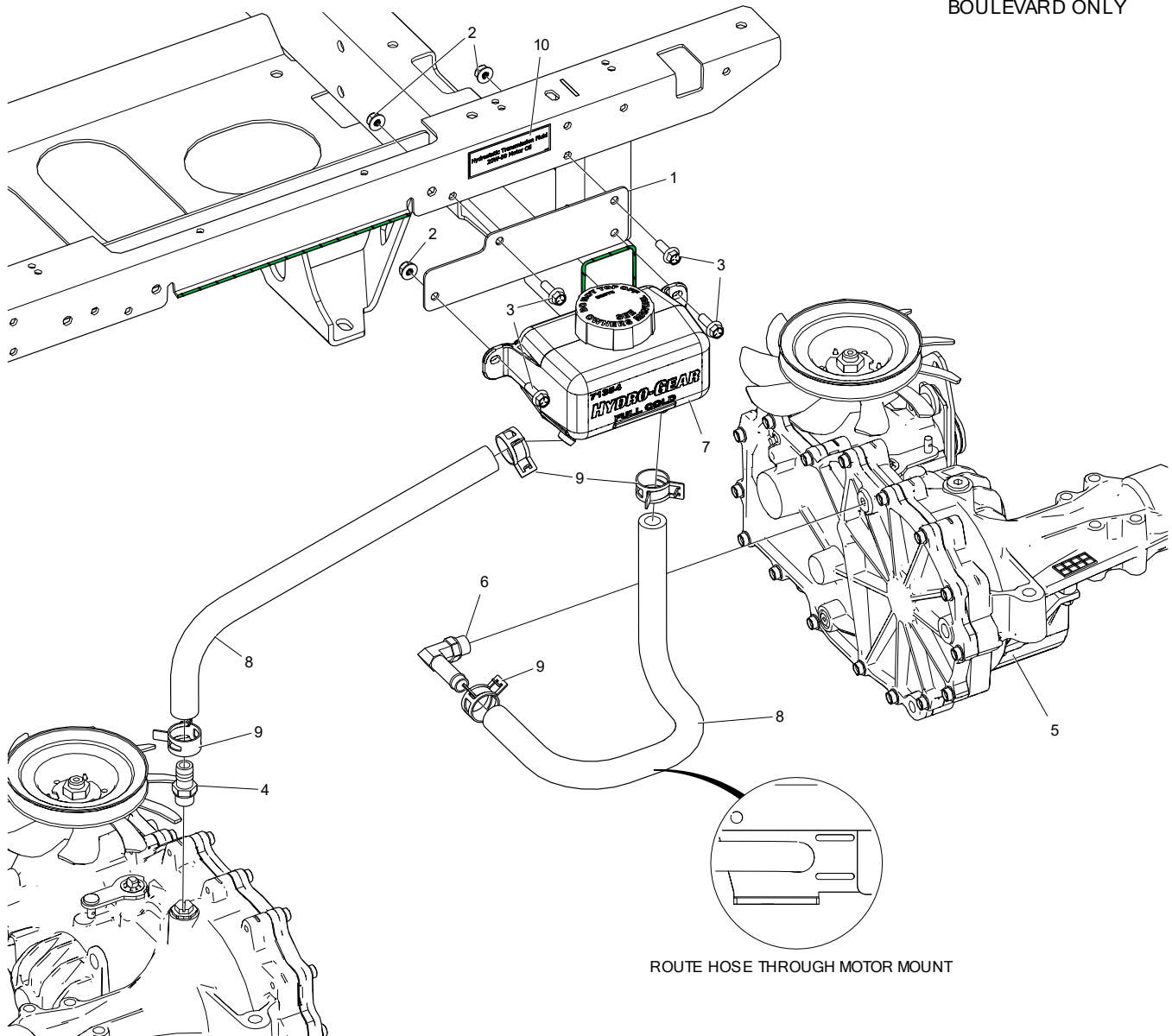
(LOOKING AT BOTTOM)



ITEM #	QTY	PART #	DESCRIPTION	ITEM #	QTY	PART #	DESCRIPTION
1	1	659-173P	HYDRO BRACE ZT2800 (BOULEVARD)	17	10	F-2063	NUT, 5/16-18, NYLOC, FLANGED, YZ
-	1	659-120P	HYDRO BRACE EZT (AVENUE)	18	2	F-2129	FHCS, 5/16-18 X 1-1/2", YZ, GR5
2	1	714-058P	PIN, IDLER PIVOT	19	1	F-2132	NUT, 1/4-20 NYLOC, FLANGED, YZ
3	2	714-454P	TAB, DUMP VALVE, COMMON	20	2	F-2151	NUT, 3/8-16 NYLOC, FLANGED, YZ
4	1	714-256A	ASS'Y, IDLER ARM	21	1	F-2152	NUT, 1/2-13 NYLOC, FLANGED, YZ
5	2	D-3730	BUSHING, DU 5/8 DIA X 1/2 LG	22	4	F-2177	FHCS, 5/16-18 X 2-1/2, YZ, GR5
6	1	D-3924	PULLEY, FLAT IDLER, 4.25 OD, NTN, DBL INSERT	23	4	F-2178	FHCS, 5/16-18 X 3", YZ, GR5
7	1	D-3954-01	TRANSAXLE, ZT-2800 W/RTN, RH (BOULEVARD)	24	1	F-2216	FHCS, 1/4-20 X 1-3/4, YZ, GR5
8	1	D-3954-02	TRANSAXLE, ZT-2800 W/RTN, LH (BOULEVARD)	25	1	F-2218	FHCS, 3/8-16 X 2-1/4", YZ, GR5
9	2	F-1009-03	WASHER, FLAT, 3/8, YZ	26	2	F-2221	HHMS, 10-32 X 1-1/4"
10	2	F-1011-02	NUT, HEX 5/16-18	27	2	H-2896	DAMPER, NC300, JS
11	4	F-1071	WASHER, FLAT #10, ZINC PLATED	28	1	H-2907	SPRING, 5.43 X 1-1/2", TAPERED ENDS
12	2	F-1448	LOCKNUT, 10-32 NYLOC YELLOW PLTD	29	1	H-2942	PLT, IDLER ARM, TOP
13	2	F-1492	RUE RING, 5/16	30	1	H-2943	PLT, IDLER ARM, BOTTOM
14	2	F-1521	WASHER, 1/2" CUSTOM, YZ	31	2	H-2961	BUSHING, DAMPLER MOUNT
15	1	F-1664	HHCS, 1/2-13 X 2-1/4", YZ, GR5	32	1	H-2962	SPACER, IDLER
16	1	F-2007	HHCS 3/8-16 X 12.50 GR5 Z&Y (BOULEVARD)	33	1	D-3783-01	TRANSAXLE, EZT, RH (AVENUE)
-	1	F-2048	HHCS 3/8-16 X 12.00 GR5 Z&Y (AVENUE)	34	1	D-3783-02	TRANSAXLE, EZT, LH (AVENUE)



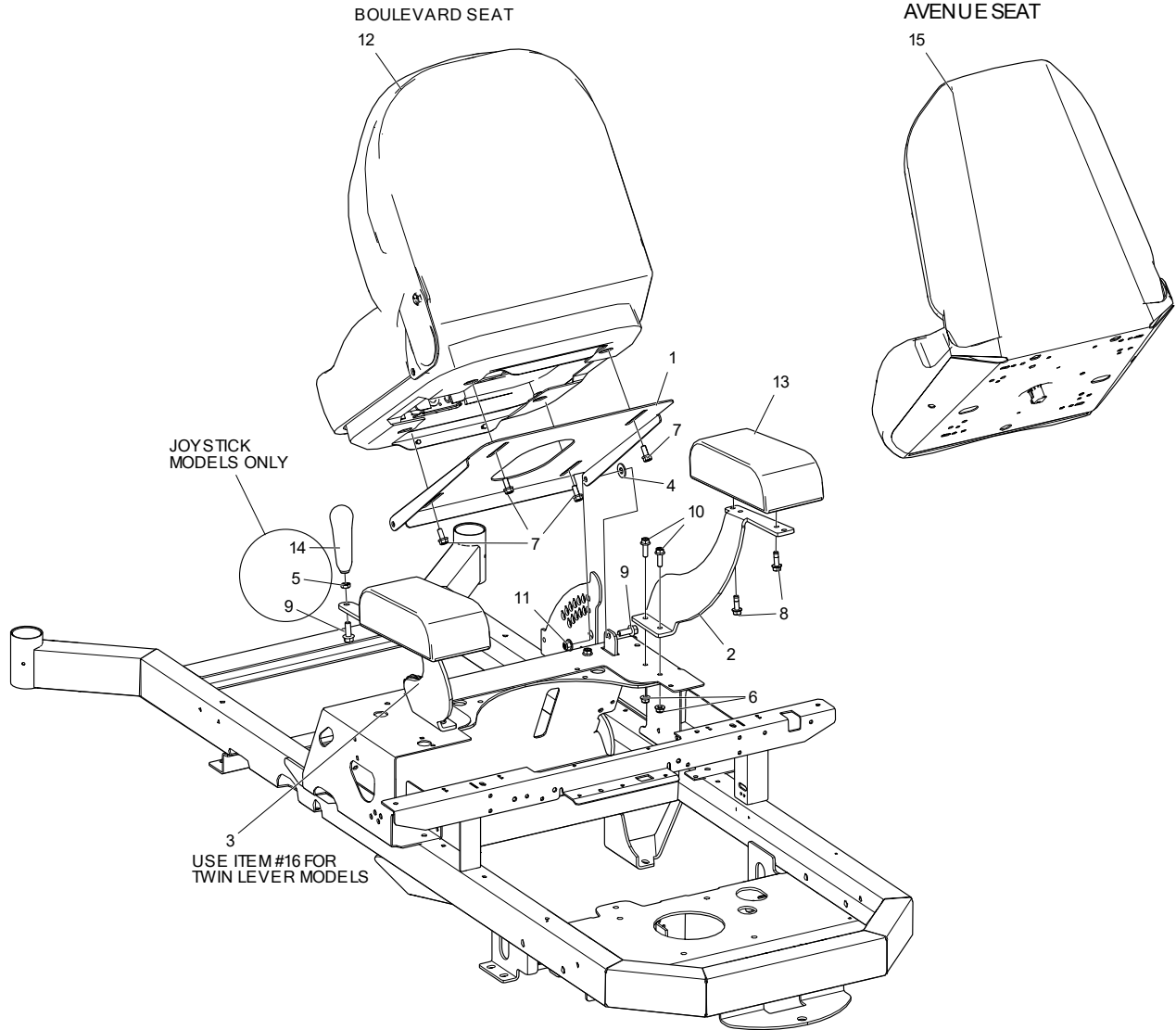
ITEM #	QTY	PART #	DESCRIPTION
1	2	638-028P	DAMPER BOLT: 5/16-18 X 3/4
2	1	721-121P	BRACKET, DAMPER OFFSET, LH
3	1	721-122P	BRACKET, DAMPER OFFSET, RH
4	2	F-1011-02	NUT, HEX 5/16-18
5	2	F-1610	RETAINING RING
6	4	F-2063	NUT, 5/16-18, NYLOC, FLANGED, YZ
7	2	F-2129	FHCS, 5/16-18 X 1-1/2", YZ, GR5
8	2	F-2141	FHCS, 3/8-16 X 1", YZ, GR5
9	2	F-2151	NUT, 3/8-16 NYLOC, FLANGED, YZ
10	2	H-2896	DAMPER, NC300, JS



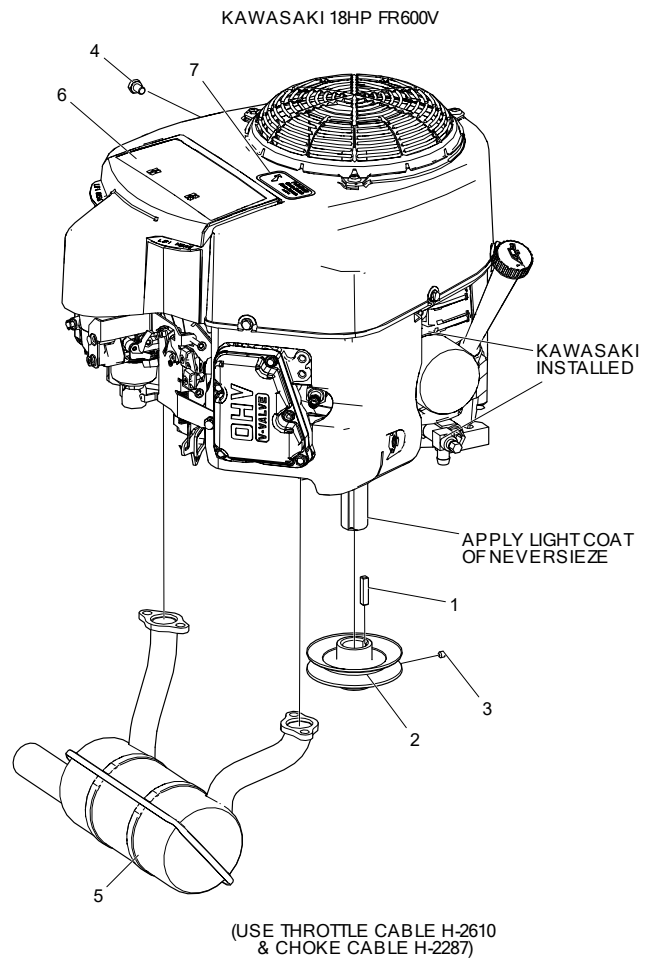
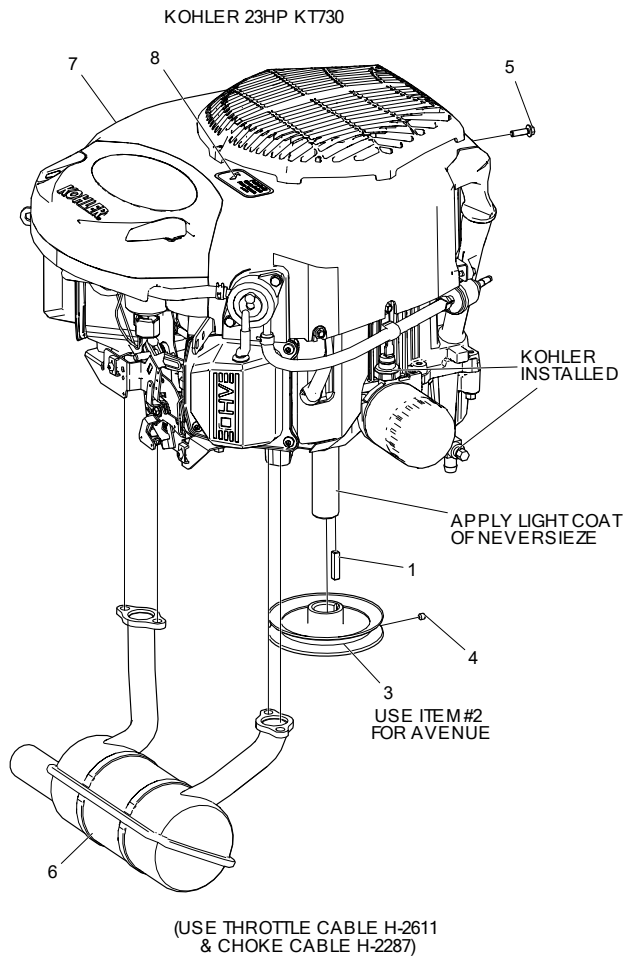
ITEM #	QTY	PART #	DESCRIPTION
1	1	721-029P	PLT, TANK MOUNT
2	4	F-2132	NUT, 1/4-20 NYLOC, FLANGED, YZ
3	4	F-2162	FHCS, 1/4-20 X 3/4", YZ, GR5
4	1	H-2517	VENT TUBE ADAPTER
5	2	H-2567	TRANSAXLE OIL FILTER
6	1	H-2762	VENT TUBE ADAPTER
7	1	H-3033	HYDRO TANK ASSEMBLY
8	2	H-3084	HOSE, 1/2" DIA X 16-1/2"
9	4	H-3089	HOSE CLAMP, 0.78 HOSE O.D.
-	4	H-3155	HOSE CLAMP, 0.88 HOSE O.D.
10	1	P-11052	DECAL, "TRANSMISSION OIL..."

AVENUE / BOULEVARD
(A115/B215)

SEAT BASE
& RELATED PARTS

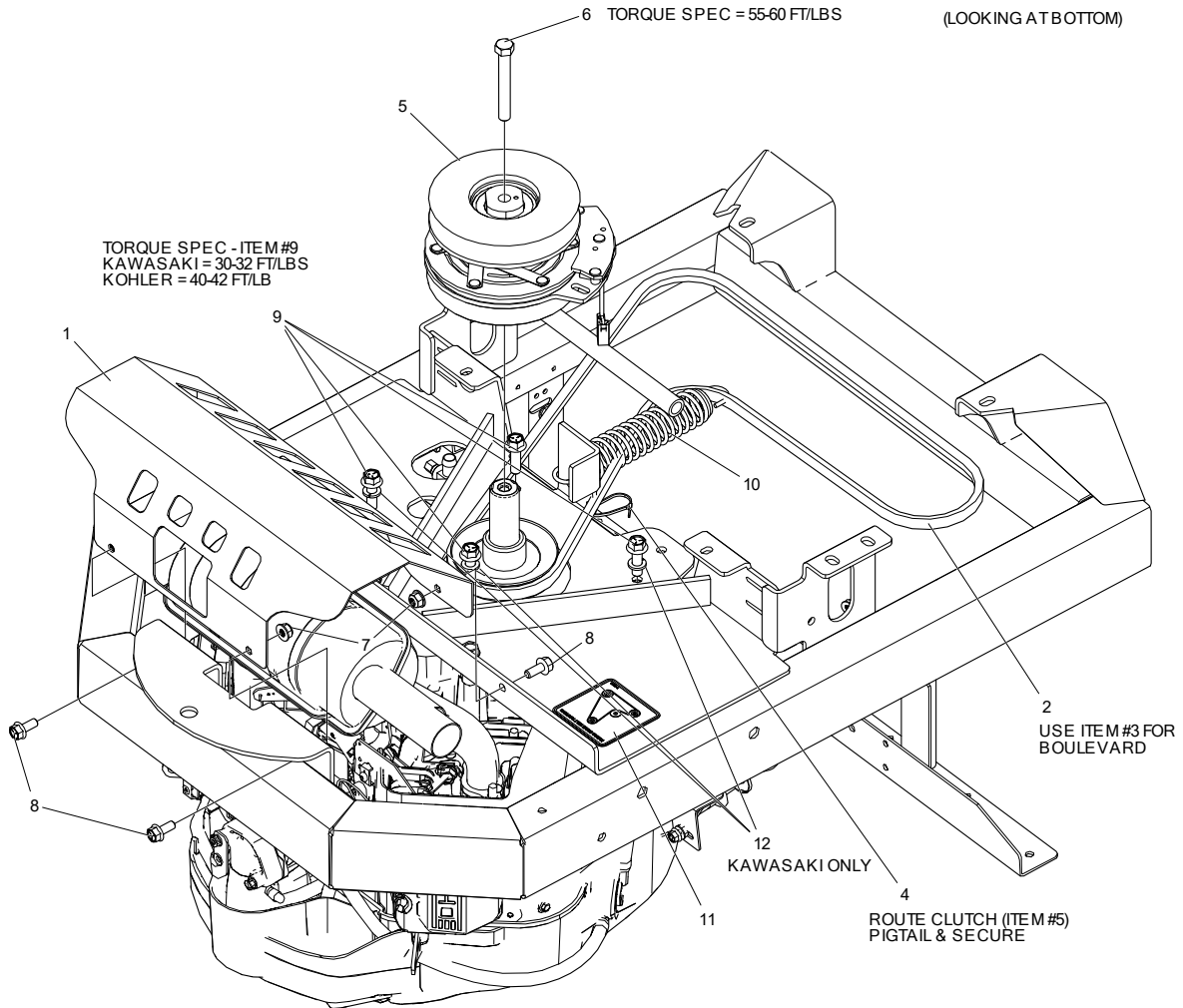


ITEM #	QTY	PART #	DESCRIPTION
1	1	714-026P	PAN, SEAT MOUNT
2	1	720-017P	MOUNT PLATE, ARM REST, RH
3	1	720-071P	PLT, ARM REST, LH, JS
4	2	F-1009-03	WASHER, FLAT, 3/8, YZ
5	1	F-1486	NUT, JAM, 3/8-16, YZ
6	4	F-2063	NUT, 5/16-18, NYLOC, FLANGED, YZ
7	4	F-2021	FHCS, 5/16-18 X 3/4", YZ, GR5
8	4	F-2121	FHCS, 5/16-18 X 1", LOCK PATCH, YZ, GR5
9	3	F-2141	FHCS, 3/8-16 X 1", YZ, GR5
10	4	F-2148	FHCS, 5/16-18 X 1", YZ, GR5
11	2	F-2151	NUT, 3/8-16 NYLOC, FLANGED, YZ
12	1	H-3207	BLVD SEAT ASSY, BLK & GRY W/ SWITCH
-	1	H-3213	SEAT BACK COVER FOR H-3207
13	2	H-2799	PAD, ARM REST
14	1	H-2764	HANDLE, JOYSTICK
15	1	H-3206	AVE SEAT ASSY, BLK & GRY, W/SWITCH
-	1	H-3212	SEAT BACK COVER FOR H-3206
16	1	720-018P	MOUNT PLT, ARM REST, LH, TS



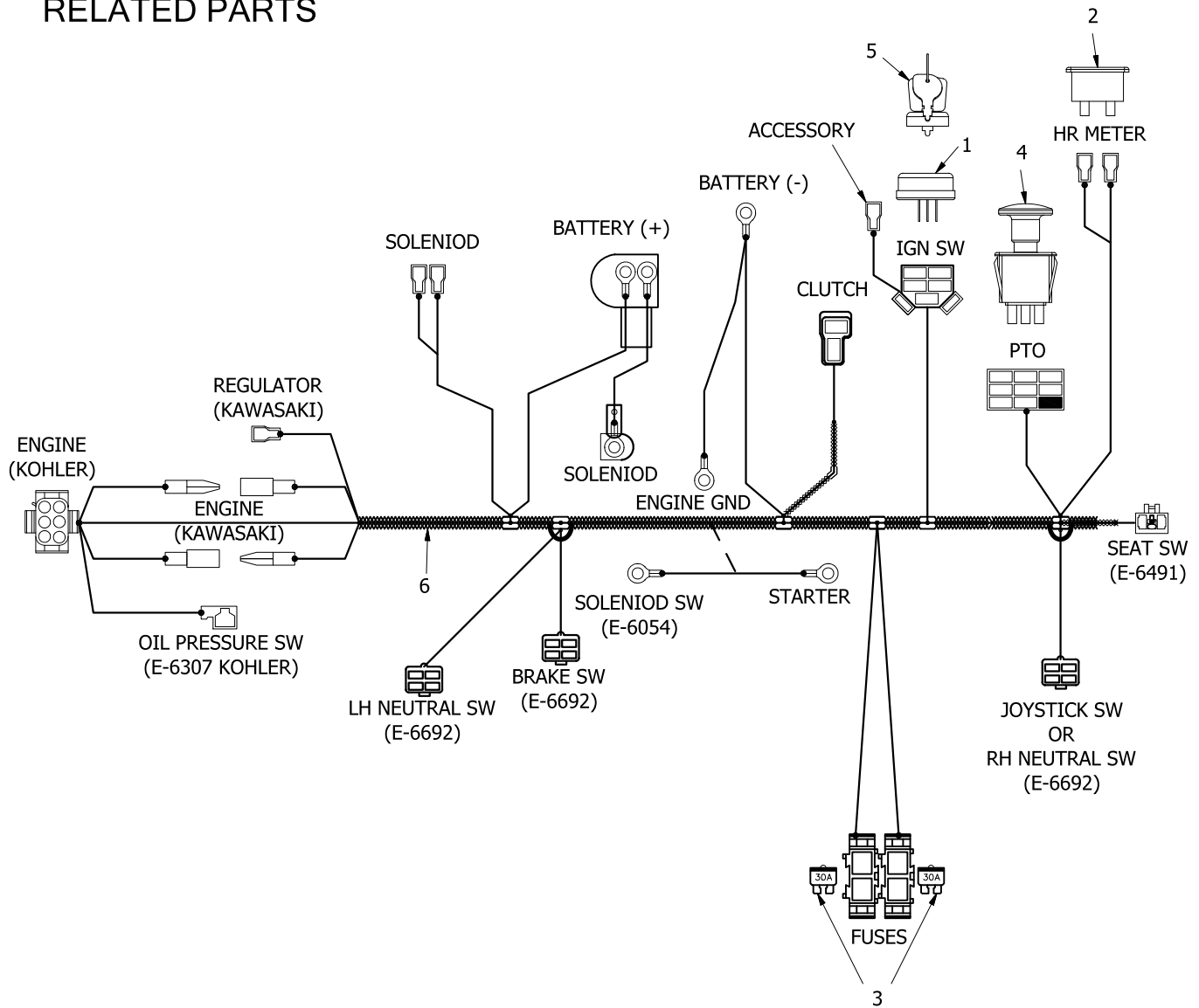
ITEM #	QTY	PART #	DESCRIPTION
1	1	621-113P	SQUARE KEY 1/4 X 1/4 X 1-1/4
2	1	D-3929	PULLEY MOTOR, O.D. 3.8"
3	1	D-3935	PULLEY MOTOR, O.D. 4.731 BORE
4	1	F-1228	SET SCREW, SOCKET, 1/4-20 X 1/4", W/NYLOC
5	1	F-2049	M6-1 X 20 H.F. FORM SCREW
6	1	H-2888	MUFFLER, KOHLER, COMPACT
7	1	M-5406	ENGINE, KOHLER, 23HP KT730
8	1	P-10077-11	DECAL, "PERIODIACALLY CLEAN"

ITEM #	QTY	PART #	DESCRIPTION
1	1	621-113P	SQUARE KEY 1/4 X 1/4 X 1-1/4
2	1	D-3929	PULLEY MOTOR, O.D. 3.8"
3	1	F-1228	SET SCREW, SOCKET, 1/4-20 X 1/4", W/NYLOC
4	1	F-2243	HHCS, M8-1.25 X 12, YZ, GR8
5	1	H-2906	MUFFLER, COMPACT, KAWASAKI, FR600
6	1	M-5402	ENGINE, KAWASAKI, 18HP, FR600V
7	1	P-10077-11	DECAL, "PERIODIACALLY CLEAN"



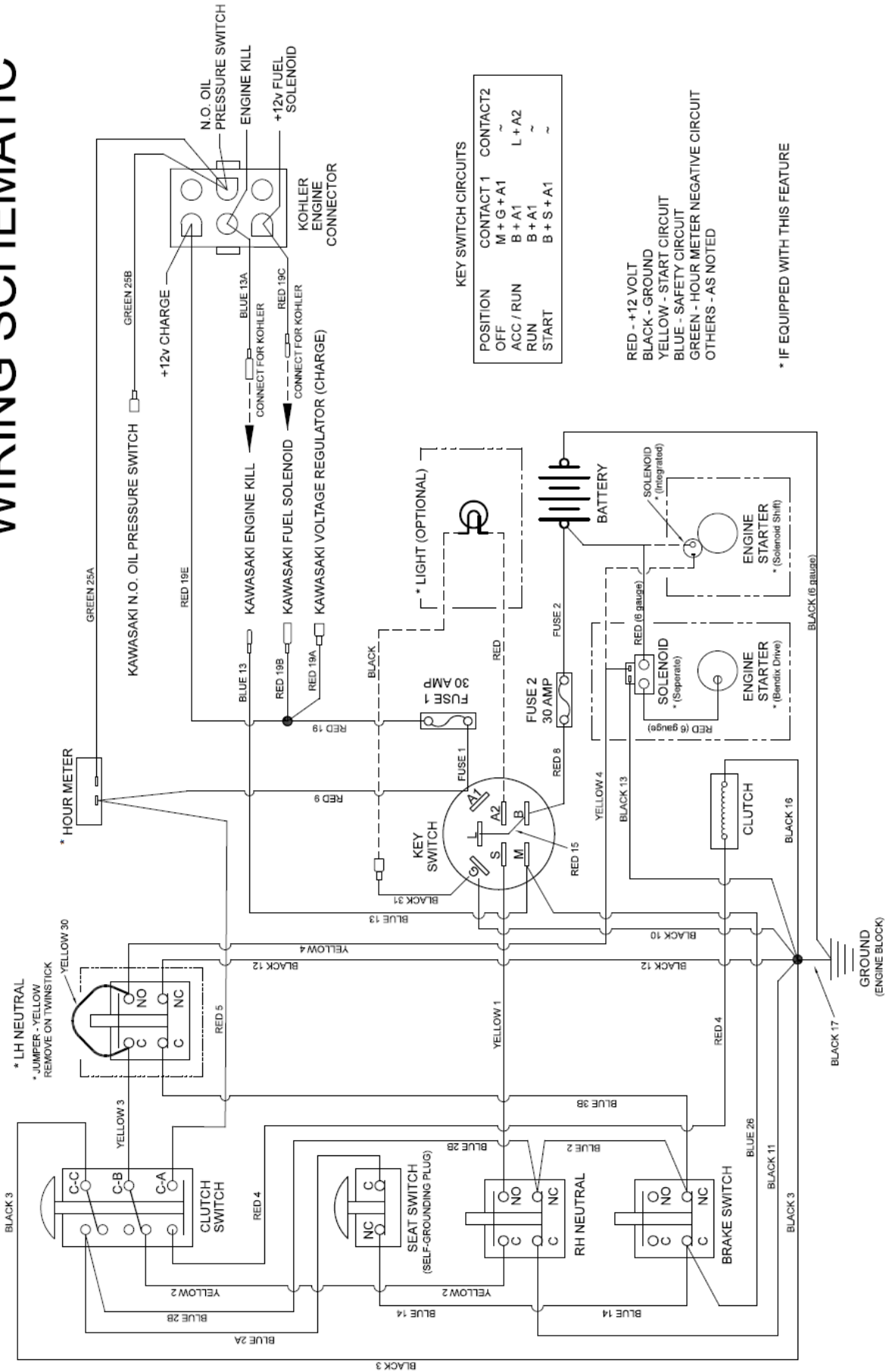
ITEM #	QTY	PART #	DESCRIPTION
1	1	714-398P	GUARD, MUFFLER
2	1	D-3885	V-BELT AP64 RAW EDGE LAMINATED
3	1	D-3891	V-BELT AP65 RAW EDGE LAMINATED
4	1	E-5842	WIRE TIE
5	1	E-6613	MS CLUTCH, 1" BORE, 125FT-LB, 4.4 A DIA, EXT PULLEY
6	1	F-1766	HHCS, 7/16-20 X 3-1/4", YZ, GR5
7	4	F-2063	NUT, 5/16-18, NYLOC, FLANGED, YZ
8	4	F-2120	FHCS, 5/16-18 X 3/4", YZ, GR5
9	4	F-2125	FHCS, 3/8-16 X 1-1/4", YZ, GR5, KAWASAKI
-	4	F-2238	HFCS, 3/8-16 X 1-1/4", CZ, THD FORMING, KOHLER
10	1	H-2907	SPRING, 5.43 X 1-1/2", TAPERED ENDS
11	1	P-12918	DECAL, HYDRO BELT ROUTING
12	3	F-1019-03	LOCKWASHER, HVY, 3/8, YZ, KAWASKI ONLY

WIRE HARNESS & RELATED PARTS



ITEM #	PART #	DESCRIPTION
1	E-6717	IGNITION SWITCH, 4 POSITION
2	E-5878	HOUR METER
3	E-6207	FUSE, #ATC-30
4	E-6403	PTO SWITCH
5	E-6718	KEY ASSEMBLY
6	E-6778	WIRE HARNESS, COMMON

WIRING SCHEMATIC



COUNTRY CLIPPER LIMITED WARRANTY

Model: Avenue

Effective: Units Retailed after October 1, 2020

Consumer Limited Warranty

Country Clipper, a Division of Shivers Mfg. Inc., will Warrant on the terms and conditions herein, that we will repair, adjust, or replace parts found by examination by the factory or by an authorized Country Clipper dealer to be defective in material, workmanship, or both, and operated and maintained as shown by Country Clipper's instructions and manuals for a period of 3 years of Residential use* from the date of original purchase. The three year period will include parts and labor.

*Residential use is defined as use of the equipment on property the same as your primary residence or farmstead. If the equipment is used on more than one property, this is considered Commercial use, and the Commercial Warranty will apply. If usage exceeds industry norms for Residential mowing, validation of usage maybe required to retain the Consumer Limited Warranty.

The Warranty applies to Country Clipper Avenue and subsequent revisions to these models sold in the United States and Canada until said warranty is revised. This Warranty applies to the original purchaser only and is non-transferable.

Commercial Limited Warranty

When used for Commercial, business, production agriculture, horticultural or non-profit institutional use, the Limited Warranty term is 30 days from date of purchase. This Warranty applies to the original purchaser only and is non-transferable. Mowers used for Rental purposes are not Warranted.

Warranty Exceptions

- Wear items are Warranted for 90 days from the original purchase date for defects in materials or workmanship (Belts, Tires, Deck Rollers, Blades, and Rubberized Chute).
- Batteries have a 6 month Warranty by the battery manufacturer.
- Related accessories are Warranted for one 1 year from their original date of purchase.
- The engine Warranty is covered by the engine manufacture and is not Warranted by Country Clipper. The engine manufacturer's Warranty statement is included in the literature packet.
- The transmission Warranty is covered by the transmission manufacture and is not Warranted by Country Clipper. The transmission manufacturer's Warranty statement is included in the literature packet.

Items and Conditions Not Covered by this Warranty

Items and conditions not covered include:

- Pickup and delivery charges to and from authorized Country Clipper dealer.
- Parts that are not genuine Country Clipper services parts are not covered by this Warranty and may void the Warranty.
- Repair or replacement caused by accident, misuse, neglectful or improper maintenance, improper repairs performed or parts installed, use of After Market parts, unauthorized alteration or modification, and/or normal wear and deterioration for turf equipment.
- Routine maintenance services, adjustments, cleaning and / or expendables (i.e. mower blades, lubricants, fuel, fuel filters, spark plugs, oil, oil filters, and air filters)
- Damaged incurred due to a natural disaster or exposure to the elements.
- Repairs required due to use of incompatible parts, accessories, or supplies used on the equipment other than recommended in the operator's manual or other instructional guides provided by Country Clipper.

Replacement Parts

Replacement parts for Residential use mowers that have exceeded the Warranty period are Warranted for 90 days from the date of replacement against defects in material and workmanship. A proof of purchase, of the replacement part, is required at the time the claim is submitted. Labor on replacement parts is not Warranted. Replacement parts on mowers used Commercially or for Rental operation are not Warranted.

There are no other express Warranties for this product in effect during this time period.

An authorized Country Clipper dealer must perform all Warranty work using Country Clipper approved parts.

Obtaining Warranty Service

A completed product registration must be submitted at the time of purchase. If the dealer does not register the product, the customer is responsible to complete the product registration card in the literature package and return it to Country Clipper. The servicing dealer will require a proof of purchase if the product has not been registered.

Customer Responsibility

- The owner is responsible for delivery of the mower to the Country Clipper approved servicing dealer, within the Warranty period, and its return after Warranty work is completed.
- The owner is responsible for maintaining and adjusting the equipment as outlined in the owner's manual.
- Prompt notification to an Authorized Country Clipper Dealer or Country Clipper representative of the need for warranty repair.
- Having the warranty work performed by an authorized Country Clipper Dealer.
- Contacting the desired Country Clipper servicing dealer to arrange the service through their shop.

Contact the desired Country Clipper servicing dealer to arrange the service through their shop. Use our dealer locator at www.countryclipper.com or U.S. and Canada customers can call 800-344-8237 to locate their nearest dealer.

General Conditions

Country Clipper may change the design of its products from time to time. Nothing contained in this Warranty shall be construed as obligating Country Clipper to incorporate said design changes into previously manufactured products, nor shall said changes be construed as an admission that previous designs were defective.

All implied Warranties, including those of merchantability and fitness for a particular purpose are, unless specifically required by the law of the jurisdiction, hereby excluded. Where implied Warranties are required by law, including those of merchantability and fitness for a particular purpose, they are, where allowed by the law of the State, limited to the above stated term of this Warranty. Liability for consequential damages, under any and all Warranties, both express and implied are hereby excluded unless specifically required by the statutory law of the jurisdiction. No claim of breach of Warranty shall be cause for cancellation or rescission of the contract of sale of Country Clipper equipment.

This Warranty gives you specific legal rights, and you may also have other rights, which vary from region to region.

To obtain the nearest servicing dealer:

Dealer locator: www.countryclipper.com
Email: service@countryclipper.com
Phone: 800-344-8237 or 641-872-2544

Mail: Country Clipper a Division of
Shivers Manufacturing Inc.
613 West English St.
Corydon, IA 5006

COUNTRY CLIPPER LIMITED WARRANTY

Model: Boulevard

Effective: Units Retailed after October 1, 2020

Consumer Limited Warranty

Country Clipper, a Division of Shivers Mfg. Inc., will Warrant on the terms and conditions herein, that we will repair, adjust, or replace parts found by examination by the factory or by an authorized Country Clipper dealer to be defective in material, workmanship, or both, and operated and maintained as shown by Country Clipper's instructions and manuals for a period of 3 years or 300 hours (whichever occurs first) of Residential use* from the date of original purchase. The first three years or 300 hours will include parts and labor.

*Residential use is defined as use of the equipment on property the same as your primary residence or farmstead. If the equipment is used on more than one property, this is considered Commercial use, and the Commercial Warranty will apply. If usage exceeds industry norms for Residential mowing, validation of usage maybe required to retain the Consumer Limited Warranty.

The Warranty applies to Country Clipper Avenue and subsequent revisions to these models sold in the United States and Canada until said warranty is revised. This Warranty applies to the original purchaser only and is non-transferable.

Warranty Exceptions

- Wear items are Warranted for 90 days from the original purchase date for defects in materials or workmanship (Belts, Tires, Deck Rollers, Blades, and Rubberized Chute).
- Batteries have a 6 month Warranty by the battery manufacturer.
- Related accessories are Warranted for one 1 year from their original date of purchase.
- The engine Warranty is covered by the engine manufacture and is not Warranted by Country Clipper. The engine manufacturer's Warranty statement is included in the literature packet.
- The transmission Warranty is covered by the transmission manufacture and is not Warranted by Country Clipper. The transmission manufacturer's Warranty statement is included in the literature packet.

Commercial Limited Warranty

When used for Commercial, business, production agriculture, horticultural or non-profit institutional use, the Limited Warranty term is 30 days from date of purchase. This Warranty applies to the original purchaser only and is non-transferable. Mowers used for Rental purposes are not Warranted.

Items and Conditions Not Covered by this Warranty

Items and conditions not covered include:

- Pickup and delivery charges to and from authorized Country Clipper dealer.
- Parts that are not genuine Country Clipper services parts are not covered by this Warranty and may void the Warranty.
- Repair or replacement caused by accident, misuse, neglectful or improper maintenance, improper repairs performed or parts installed, use of After Market parts, unauthorized alteration or modification, and/or normal wear and deterioration for turf equipment.
- Routine maintenance services, adjustments, cleaning and / or expendables (i.e. mower blades, lubricants, fuel, fuel filters, spark plugs, oil, oil filters, and air filters)
- Damaged incurred due to a natural disaster or exposure to the elements.
- Repairs required due to use of incompatible parts, accessories, or supplies used on the equipment other than recommended in the operator's manual or other instructional guides provided by Country Clipper.

Replacement Parts

Replacement parts for Residential use mowers that have exceeded the Warranty period are Warranted for 90 days from the date of replacement against defects in material and workmanship. A proof of purchase, of the replacement part, is required at the time the claim is submitted. Labor on replacement parts is not Warranted. Replacement parts on mowers used Commercially or for Rental operation are not Warranted.

There are no other express Warranties for this product in effect during this time period.

An authorized Country Clipper dealer must perform all Warranty work using Country Clipper approved parts.

Obtaining Warranty Service

A completed product registration must be submitted at the time of purchase. If the dealer does not register the product, the customer is responsible to complete the product registration card in the literature package and return it to Country Clipper. The servicing dealer will require a proof of purchase if the product has not been registered.

Customer Responsibility

- The owner is responsible for delivery of the mower to the Country Clipper approved servicing dealer, within the Warranty period, and its return after Warranty work is completed.
- The owner is responsible for maintaining and adjusting the equipment as outlined in the owner's manual.
- Prompt notification to an Authorized Country Clipper Dealer or Country Clipper representative of the need for warranty repair.
- Having the warranty work performed by an authorized Country Clipper Dealer.
- Contacting the desired Country Clipper servicing dealer to arrange the service through their shop.

Contact the desired Country Clipper servicing dealer to arrange the service through their shop. Use our dealer locator at www.countryclipper.com or U.S. and Canada customers can call 800-344-8237 to locate their nearest dealer.

General Conditions

Country Clipper may change the design of its products from time to time. Nothing contained in this Warranty shall be construed as obligating Country Clipper to incorporate said design changes into previously manufactured products, nor shall said changes be construed as an admission that previous designs were defective.

All implied Warranties, including those of merchantability and fitness for a particular purpose are, unless specifically required by the law of the jurisdiction, hereby excluded. Where implied Warranties are required by law, including those of merchantability and fitness for a particular purpose, they are, where allowed by the law of the State, limited to the above stated term of this Warranty. Liability for consequential damages, under any and all Warranties, both express and implied are hereby excluded unless specifically required by the statutory law of the jurisdiction. No claim of breach of Warranty shall be cause for cancellation or rescission of the contract of sale of Country Clipper equipment.

This Warranty gives you specific legal rights, and you may also have other rights, which vary from region to region.

To obtain the nearest servicing dealer:

Dealer locator: www.countryclipper.com
Email: service@countryclipper.com
Phone: 800-344-8237 or 641-872-2544

Mail: Country Clipper a Division of
Shivvers Manufacturing Inc.
613 West English St.
Corydon, IA 5006

KAWASAKI LIMITED WARRANTY

FOUR-CYCLE ENGINE

Kawasaki Motors Corp., U.S.A., P.O. Box 888285, Grand Rapids, MI 49588-8285 (hereinafter "Kawasaki") warrants to the initial purchaser of each new Kawasaki four-cycle engine purchased in any of the following regions: North, Central or South America, Caribbean, Australia, New Zealand, and all territories of the United States of America (collectively, the "Purchase Area") that it will repair or replace, free of charge, any engine parts found to be defective, under normal use and proper maintenance, for a period of thirty-six (36) months, subject to the following conditions, exclusions, obligations and limitations. If you have questions about warranty coverage in your region, please contact the local Kawasaki dealer.

1. COVERAGE.

- a. Any factory-installed engine part found to be defective by Kawasaki within the thirty-six (36) month warranty term shall be repaired or replaced without charge for parts or labor at any authorized Kawasaki engine dealer located within the purchase area.

2. OWNER'S OBLIGATIONS.

The following obligations must be fulfilled by owner to maintain the validity of the Kawasaki limited warranty:

- a. Owner must deliver the four-cycle engine to an authorized Kawasaki engine dealer or equally qualified service facility for inspection, maintenance services and adjustments according to the Periodic Maintenance Chart contained in the owner's manual. The inspection, maintenance services and adjustments are to be performed at owner's expense.
- b. Owner must present proof of initial retail purchase date to an authorized Kawasaki engine dealer at the time warranty repairs are performed on the four-cycle engine.

3. LIMITATIONS.

This limited warranty shall not apply to or include any of the following:

- a. Repair or replacement required as a result of (i) accident, (ii) misuse or neglect, (iii) lack of reasonable and proper maintenance, (iv) repairs improperly performed or replacements improperly installed, (v) use of replacement parts or accessories not conforming to Kawasaki specifications which adversely affect performance and/or durability, (vi) alterations or modifications not recommended or approved in writing by Kawasaki, and/or (vii) wear and deterioration occasioned by the use of the four-cycle engine.
- b. Routine maintenance services, adjustments, cleaning and/or expendables such as spark plugs, lubricants, oil filters, air filters, and fuel filters.

4. LIMITED LIABILITY.

- a. The liability of Kawasaki under the thirty-six (36) month warranty is limited solely to the remedying of defects in factory-installed engine parts by an authorized Kawasaki engine dealer at its place of business during customary business hours. This warranty does not cover inconvenience or loss of use of the four-cycle engine or transportation of the four-cycle engine to and from the Kawasaki dealer. **KAWASAKI SHALL NOT BE LIABLE FOR ANY OTHER EXPENSE, LOSS OR DAMAGE, WHETHER DIRECT, INCIDENTAL, CONSEQUENTIAL OR EXEMPLARY ARISING IN CONNECTION WITH THE SALE OR USE OF OR INABILITY TO USE THE KAWASAKI FOUR-CYCLE ENGINE FOR ANY PURPOSE. SOME STATES DO NOT ALLOW THE EXCLUSION OR LIMITATIONS OF ANY INCIDENTAL OR CONSEQUENTIAL DAMAGES, SO THE ABOVE LIMITATION OR EXCLUSION MAY NOT APPLY TO YOU.**
- b. **NO EXPRESS WARRANTY IS GIVEN BY KAWASAKI WITH RESPECT TO THE KAWASAKI FOUR-CYCLE ENGINE EXCEPT AS SPECIFICALLY SET FORTH HEREIN. ANY WARRANTY IMPLIED BY LAW, INCLUDING ANY WARRANTY OF MERCHANTABILITY OR FITNESS FOR A PARTICULAR PURPOSE, IS EXPRESSLY LIMITED TO THE THIRTY-SIX (36) MONTH WARRANTY TERM SET FORTH HEREIN. THE FOREGOING STATEMENTS OF WARRANTY ARE EXCLUSIVE AND IN LIEU OF ALL OTHER REMEDIES. SOME STATES DO NOT ALLOW LIMITATIONS ON HOW LONG AN IMPLIED WARRANTY LASTS, SO THE ABOVE LIMITATIONS MAY NOT APPLY TO YOU.**
- c. No distributor, dealer or other four-cycle engine reseller is authorized to modify this Kawasaki Limited Four-Cycle Warranty.

5. LEGAL RIGHTS.

THIS WARRANTY GIVES YOU SPECIFIC LEGAL RIGHTS, AND YOU MAY ALSO HAVE OTHER RIGHTS WHICH VARY FROM STATE TO STATE .

EMISSION CONTROL SYSTEM WARRANTY STATEMENT

This warranty statement outlines the emission warranty coverage provided by Kawasaki Motors Corp. U.S.A. ("Kawasaki") for small off-road engines sold in the U.S. and its territories, as well as the 13 provinces and territories of Canada. This warranty statement is divided into two parts. Part I warrants that a new Kawasaki small off-road engine complies with U.S. EPA and Environment Canada emissions regulations. Part II warrants that a new Kawasaki small off-road engine certified for sale in California also complies with the State of California's emissions regulations.

Part I: United States and Canada

Your Warranty Rights and Obligations

Your new small off-road engine must be designed, built and equipped to meet the U.S. EPA emission standards for small off-road engines with maximum engine power at or below 19 kilowatts or an engine displacement less than 1 liter. Kawasaki must warrant the emission control system on your small off-road engine for the period of time listed below, provided there has been no abuse, neglect, or improper maintenance of your small off-road engine. Where a warrantable condition exists, Kawasaki will repair your small off-road engine at no cost to you including diagnosis, parts, and labor.

Your emission control system may include such parts as the carburetor or fuel injection system, the ignition system, and catalytic converter. Also included may be hoses, connectors, and other emission-related assemblies. For a list of the emission control system parts covered under this warranty, please contact your nearest Kawasaki Dealer or contact Kawasaki directly at 877-364-6404.

Warranty Coverage

Kawasaki warrants to the original retail purchaser, and each subsequent purchaser, that the small off-road engine, including all parts of its emission control system, is:

1. designed, built, and equipped to conform to the U.S. EPA and Environment Canada emission standards at the time of sale to the original retail purchaser; and
2. free from defects in materials and workmanship that may keep it from meeting the requirements under these emission standards.

This warranty begins on the date the small off-road engine is delivered to the original retail purchaser and extends for a period of three years. This warranty covers all components whose failure would increase the emissions of any regulated pollutant. This warranty does not cover components whose failure would not increase the engine's emissions of any regulated pollutants.

Owner's Warranty Responsibility

As the small off-road engine owner, you are responsible for the performance of the required maintenance listed in your owner's manual. Kawasaki recommends that you retain all receipts covering maintenance on your small off-road engine, but Kawasaki cannot deny warranty coverage solely for the lack of receipts or for your failure to ensure the performance of all scheduled maintenance.

As the small off-road engine owner, you should, however, be aware that Kawasaki may deny you warranty coverage if your small off-road engine or a part has failed due to abuse, neglect, improper maintenance, or unapproved modifications.

You are responsible for presenting your small off-road engine to a Kawasaki dealer as soon as a problem exists. The emission related warranty repairs should be completed in a reasonable amount of time, not to exceed 30 days.

If you have any questions regarding your emission warranty rights and responsibilities, you should contact:

Kawasaki Motors Corp. U.S.A.
Consumer Services Department
5080 36th Street S.E.
Grand Rapids, MI 49512
Telephone: (877) 364-6404
Email: kawpower-website@kmc-usa.com

To Obtain Warranty Service

You must, at your own expense, take your Kawasaki small off-road engine or the product on which it is installed, along with proof of original purchase date, to any Kawasaki Dealer who is authorized by Kawasaki to sell and service that Kawasaki product during the Dealer's normal business hours. Claims for repair or adjustments found to be caused solely by defects in material or workmanship will not be denied because the engine was not properly maintained and used.

If however, you reside more than 100 miles from an authorized service center in the contiguous states, excluding certain high-altitude areas, Kawasaki will either pay for shipping costs to and from an authorized service center, provide for a service technician to come to the owner to make the warranty repair, or pay for the repair to be made at a local non-authorized service center. If you are unable to obtain emission warranty service or are dissatisfied with the warranty service you received, contact the owner of the dealership involved. However, if you require further assistance, contact Kawasaki directly via the contact information above.

Exclusions

Failures other than those resulting from defects in material or workmanship are not covered by this warranty. This warranty does not extend to emission control systems and parts that are affected or damaged by owner abuse, misuse, neglect, improper maintenance or repairs, misfueling, improper storage, collision, the use of unsuitable attachments, or the unauthorized alteration of any part.

This warranty does not cover replacement of parts or other services and adjustments necessary for required maintenance at and after the first scheduled replacement point.

Disclaimer of Consequential Damages and Limitation of Implied Warranties

Kawasaki Motors Corp. disclaims responsibility for incidental or consequential damages such as loss of time or the use of the power equipment, or any commercial loss due to the failure of the equipment; and any implied warranties are limited to the duration of this written warranty. This warranty is applicable only where the California, U.S. EPA, or Environment Canada emission control system warranty regulation is in effect.

Part II: CALIFORNIA EMISSIONS CONTROL WARRANTY STATEMENT

Your Warranty Rights and Obligations

The California Air Resources Board and Kawasaki are pleased to explain the emission control system warranty on your model year 2021/2022 small off-road engine. In California, new small off-road engines must be designed, built, and equipped to meet the State's stringent anti-smog standards. Kawasaki must warrant the emission control system on your small off-road engine for the periods of time listed below provided there has been no abuse, neglect or improper maintenance of your small off-road engine.

Your emission control system may include such parts as the carburetor or fuel injection system, the ignition system, and catalytic converter. Also included may be hoses, belts, connectors, and other emission-related assemblies.

Where a warrantable condition exists, Kawasaki will repair your small off-road engine at no cost to you including diagnosis, parts and labor.

Manufacturer's Warranty Coverage

The 1995 and later small off-road engines are warranted for three years. If any emission-related part on your small off-road engine is defective, the part will be repaired or replaced by Kawasaki.

Owner's Warranty Responsibility

As the small off-road engine owner, you are responsible for the performance of the required maintenance listed in your owner's manual. Kawasaki recommends that you retain all receipts covering maintenance on your small off-road engine, but Kawasaki cannot deny warranty coverage solely for the lack of receipts or for your failure to ensure the performance of all scheduled maintenance.

As the small off-road engine owner, you should however be aware that Kawasaki may deny you warranty coverage if your small off-road engine or a part has failed due to abuse, neglect, improper maintenance, or unapproved modifications.

You are responsible for presenting your small off-road engine to a Kawasaki distribution center as soon as a problem exists. The warranty repairs should be completed in a reasonable amount of time, not to exceed 30 days.

If you have any questions regarding your warranty rights and responsibilities, you should contact:

Kawasaki Motors Corp. U.S.A.
Consumer Services Department
5080 36th Street S.E.
Grand Rapids, MI 49512
Telephone: (877) 364-6404
Email: kawpower-website@kmc-usa.com

General Emissions Warranty Coverage

Kawasaki warrants to the ultimate purchaser and each subsequent purchaser that the small off-road engine is:

1. designed, built, and equipped so as to conform with all applicable regulations adopted by the Air Resources Board pursuant to its authority in Chapters 1 and 2, Part 5, Division 26 of the Health and Safety Code; and
2. free from defects in materials and workmanship that cause the failure of a warranted part to be identical in all material respects to the part as described in Kawasaki's application for certification.

The warranty period begins on the date the engine or equipment is delivered to an ultimate purchaser or first placed into service. The equipment or engine owner will not be charged for diagnostic labor that is directly associated with diagnosis of a defective, emission-related warranted part, provided that such diagnostic work is performed at a Kawasaki warranty station.

Engine parts outlined in the Periodic Maintenance Chart found in the Owners Manual provided with this engine, are warranted as follows:

1. Any warranted part that is not scheduled for replacement as required maintenance in the Periodic Maintenance Chart, is warranted for the warranty period stated above. If any such part fails during the warranty period, the part will be repaired or replaced by Kawasaki at no charge to the owner provided the repair or replacement is performed at a warranty station. Any such part repaired or replaced under the warranty will be warranted for the remaining warranty period.
2. Any warranted part that is scheduled only for regular inspection in the Periodic Maintenance Chart is warranted for the warranty period stated above. Any such part repaired or replaced under warranty will be warranted for the remaining warranty period.
3. Any warranted part that is scheduled for replacement as required maintenance in the Periodic Maintenance Chart is warranted for the period of time before the first scheduled replacement date for that part. If the part fails before the first scheduled replacement, the part will be repaired or replaced by Kawasaki at no charge to the owner provided the repair or replacement is performed at a warranty station. Any such part repaired or replaced under warranty will be warranted for the remainder of the period prior to the first scheduled replacement point for the part.

Kawasaki is liable for damages to other engine components proximately caused by a failure under warranty of any warranted part.

Throughout the engine's warranty period defined above, Kawasaki will maintain a supply of warranted parts sufficient to meet the expected demand for such parts. Any replacement part may be used in the performance of any warranty maintenance or repairs and will be provided without charge to the owner. Such use will not reduce the warranty obligations of Kawasaki.

Add-on or modified parts, as defined in Section 1900(b)(1) and (b)(14), Title 13, that are not exempted by the Air Resources Board may not be used. The use of any non-exempted add-on or modified parts by the ultimate purchaser will be grounds for disallowing a warranty claim made in accordance with this article. Kawasaki will not be liable under this article to warrant failures of warranted parts caused by the use of a non-exempted add-on or modified part.

To Obtain Warranty Service

Notwithstanding the provisions herein, warranty services or repairs will be provided at all Kawasaki distribution centers that are franchised to service the subject engines.

You must, at your own expense, take your Kawasaki small off-road engine or the product on which it is installed, along with proof of original purchase date, to any Kawasaki Dealer who is authorized by Kawasaki to sell and service that Kawasaki product during the Dealer's normal business hours. Claims for repair or adjustments found to be caused solely by defects in material or workmanship will not be denied because the engine was not properly maintained and used.

If you are unable to obtain emission warranty service or are dissatisfied with the warranty service you received, contact the owner of the dealership involved. However, if you require further assistance, contact the Kawasaki office in your region:

Kawasaki Motors Corp., U.S.A.
Consumer Services Department
5080 36th Street S.E.
Grand Rapids, MI 49512
Telephone: (877) 364-6404
Email: kawpower-website@kmc-usa.com

Exclusions

1. The repair or replacement of any warranted part otherwise eligible for warranty coverage as stated above may be excluded from such warranty coverage if Kawasaki demonstrates that the engine has been abused, neglected, or improperly maintained, and that such abuse, neglect, or improper maintenance was the direct cause of the need for repair or replacement of the part.
2. Kawasaki warrants your engine only for the warranty period specified above.
3. Except as provided above, any adjustment of a component that has a factory installed, and properly operating, adjustment limiting device (such as an idle limiter cap or plug) is eligible for warranty coverage as stated above.

Disclaimer of Consequential Damage and Limitation of Implied Warranties:

Kawasaki Motors Corp. disclaims responsibility for incidental or consequential damages such as loss of time or the use of the power equipment, or any commercial loss due to the failure of the equipment; and any implied warranties are limited to the duration of this written warranty. This warranty is applicable only where the California, U.S. EPA, or Environment Canada emission control system warranty regulation is in effect.

Warranted Parts List:

The following is the emission warranty parts list for your small off-road engine:

- (i) Fuel Metering System
 - (A) Carburetor and internal parts (and/or pressure regulator or fuel injection system)
 - (B) Cold start enrichment system
 - (C) Intake valve(s)
- (ii) Air Induction System
 - (A) Intake manifold
 - (B) Air filter
- (iii) Ignition System
 - (A) Spark plugs
 - (B) Magneto or electronic ignition system
 - (C) Spark advance/retard system
 - (D) Ignition coil and/or control module
- (iv) Lubrication System
 - (A) Oil pump and internal parts
- (v) Positive Crankcase Ventilation (PCV) System
 - (A) PCV valve
 - (B) Oil filler cap
- (vi) Catalyst or Thermal Reactor System
 - (A) Catalytic converter
 - (B) Exhaust manifold
 - (C) Exhaust valve(s)

Kawasaki Motors Corp., U.S.A.
Consumer Services Department
5080 36th Street S.E.
Grand Rapids, MI 49512
Telephone: (877) 364-6404
Email: kawpower-website@kmc-usa.com

LIMITED WARRANTY, 7000 SERIES

Kohler Co. warrants to the original retail consumer that each new engine will be free from manufacturing defects in materials or workmanship for the applicable coverage period as set forth below, beginning on date of purchase; provided the engine is operated and maintained in accordance with Kohler Co.'s instructions and manuals.

Purchased Prior to November 1, 2017

Type of use

Residential	3 Years
Commercial/Rental	90 Days

Purchased After November 1, 2017

Type of use

Residential	3 Years
Commercial/Rental	3 Years

Our obligation under this warranty is expressly limited, at our option, to the replacement or repair of such part or parts as inspection shall disclose to be defective at Kohler Co., Kohler, Wisconsin 53044, or at a service facility designated by Kohler Co.

Mufflers on engines used commercially (non-residential) are warranted for one (1) year from date of purchase, except catalytic mufflers, which are warranted for two (2) years.

The following items are not covered by this warranty.

- Damage caused as a result of an accident or casualty.
- Failures caused by faulty repairs made by others.
- Failures caused by use of non-Kohler replacement service parts.
- Transportation charges in connection with the repair or replacement of defective parts.
- Repairs caused from improper storage, old or contaminated fuel left within the fuel system (tanks, fuel lines or carburetor).
- Damage caused from unreasonable use or neglect, normal wear, or premature wear from improper maintenance.
- Engine accessories such as fuel tanks, clutches, transmissions, power drive assemblies, and batteries, unless supplied or installed by Kohler Co. These are subject to the warranties, if any, of their manufacturers.

IMPLIED OR STATUTORY WARRANTIES, INCLUDING WARRANTIES OF MERCHANTABILITY OR FITNESS FOR A PARTICULAR PURPOSE, ARE EXPRESSLY LIMITED TO THE DURATION OF THIS WRITTEN WARRANTY. WE MAKE NO OTHER EXPRESS WARRANTY, OR IS ANYONE AUTHORIZED TO MAKE ANY ON OUR BEHALF. KOHLER CO. AND/OR THE SELLER SHALL NOT BE LIABLE FOR SPECIAL, INDIRECT, INCIDENTAL, OR CONSEQUENTIAL DAMAGES OF ANY KIND.

Some states or countries do not allow limitations on how long an implied warranty lasts, or the exclusion or limitation of incidental or consequential damages, so the above limitation or exclusion may not apply to you. This warranty gives you specific legal rights, and you may also have other rights which vary from country to country, or state to state within U.S.A.

TO OBTAIN WARRANTY SERVICE:

Original retail consumer must bring the engine to an authorized Kohler dealer found by visiting www.KohlerEngines.com or telephone 1-800-544-2444 (U.S.A. and Canada).

Warranty Conditions-Australia

The benefits given to you under this warranty are in addition to other rights and remedies that you have under Australian law in relation to the goods. All costs associated with claiming under this warranty must be borne by the consumer, including transport costs incurred in the repair or replacement of any defective part. Our goods come with guarantees that cannot be excluded under the Australian Consumer Law. You are entitled to a replacement or refund for a major failure and for compensation for any other reasonably foreseeable loss or damage. You are also entitled to have the goods repaired or replaced if the goods fail to be of acceptable quality and the failure does not amount to a major failure.

Kohler Co. Service Agent in Australia:

EPG Engines
31 Powers Road
Seven Hills, NSW, 2147
61 2 9830 2295
61 1800 069 399

www.epgengines.com.au

ENGINE DIVISION, Kohler Co., Kohler Wisconsin

B) CALIFORNIA AND FEDERAL EXHAUST AND EVAPORATIVE EMISSIONS CONTROL WARRANTY STATEMENT YOUR WARRANTY RIGHTS AND OBLIGATIONS

The California Air Resources Board, US Environmental Protection Agency ("US EPA") and Kohler Co. are pleased to explain the exhaust and evaporative emissions control systems warranty on your 2018-2020 Small Off-Road Engine ("SORE") and engine powered equipment as applicable. In California and the USA, new equipment that use SORE must be designed, built and equipped to meet California and US EPA stringent anti-smog standards. Kohler Co. must warrant the emission control systems on your SORE and engine powered equipment for the period listed below provided there has been no abuse, neglect or improper maintenance of your SORE or engine powered equipment leading to the failure of the emission control systems.

Your exhaust emission control systems may include parts such as carburetors, fuel-injection systems, the ignition system, and catalytic converters. Also included may be an evaporative emission control system which may include parts such as fuel tanks, fuel lines (for liquid fuel and vapors), fuel caps, valves, carbon canisters, clamps, connectors, and other associated components.

MANUFACTURER'S WARRANTY COVERAGE:

The 1995 and later SORE exhaust and evaporative emission control systems are warranted for three years. If any exhaust or evaporative emission-related part on your SORE or engine powered equipment is defective, the part will be repaired or replaced by Kohler Co.

OWNER'S WARRANTY RESPONSIBILITIES:

As the SORE or engine powered equipment owner, you are responsible for the performance of the required maintenance listed in your owner's manual. Kohler Co. recommends that you retain all receipts covering maintenance on your SORE or engine powered equipment, but Kohler Co. cannot deny warranty coverage solely for the lack of receipts. As the SORE or engine powered equipment owner, you should however be aware that Kohler Co. may deny you warranty coverage if your SORE or engine powered equipment or a part has failed due to abuse, neglect, improper maintenance or unapproved modifications.

You are responsible for presenting your SORE or engine powered equipment to a Kohler Co. distribution or service center as soon as a problem exists. The warranty repairs should be completed in a reasonable amount of time, not to exceed 30 days. If you have a question regarding your warranty coverage, you should contact a Kohler Dealer at 1-800-544-2444 or visit www.kohlerengines.com.

GENERAL EMISSIONS WARRANTY COVERAGE

The warranty period begins on the date the engine or equipment is delivered to an ultimate purchaser. Kohler Co. warrants to the ultimate purchaser and each subsequent purchaser that the engine is: Designed, built, and equipped so as to conform with all applicable regulations adopted by the Air Resources Board and US EPA; and free from defects in materials and workmanship that cause the failure of a warranted part to be identical in all material respects to the part as described in the engine manufacturer's application for certification for the warranty period stated above.

The warranty on emissions-related parts is as follows:

- (1) Any warranted part that is not scheduled for replacement as required maintenance in the owner's manual supplied, is warranted for the warranty period stated above. If any such part fails during the period of warranty coverage, the part will be repaired or replaced by Kohler Co. at no charge to the owner. Any such part repaired or replaced under the warranty will be warranted for the remaining warranty period.
- (2) Any warranted part that is scheduled only for regular inspection in the owner's manual supplied, is warranted for the warranty period stated above. Any such part repaired or replaced under warranty will be warranted for the remaining warranty period.
- (3) Any warranted part that is scheduled for replacement as required maintenance in the owner's manual supplied, is warranted for the period of time prior to the first scheduled replacement point for that part. If the part fails prior to the first scheduled replacement, the part will be repaired or replaced by Kohler Co. at no charge to the owner. Any such part repaired or replaced under warranty will be warranted for the remainder of the period prior to the first scheduled replacement point for the part.
- (4) Add-on or modified parts that are not exempted by the Air Resources Board may not be used. The use of any non-exempted add-on or modified parts by the ultimate purchaser will be grounds for disallowing a warranty claim. The manufacturer will not be liable to warrant failures of warranted parts caused by the use of a non-exempted add-on or modified part.

PARTS COVERED BY WARRANTY

Listed below are the parts (if equipped) covered by the Federal and California Emission Control Systems Warranty. Some parts listed below may require scheduled maintenance and are warranted up to the first scheduled replacement point for that part.

- Oxygen sensor
- Intake manifold
- Exhaust manifold
- Catalytic muffler
- Thermal reactor muffler
- Spark advance module
- Crankcase breather
- Air Injection System
 - Air pump or pulse valve assembly
 - Control/distribution valve
 - Distribution manifold
 - Air hoses
 - Vacuum lines
- Ignition module(s) with high tension lead
- Gaseous fuel regulator
- Electronic control unit
- Carburetor or fuel injection system
- Fuel metering valve
- Air filter, fuel filter, and spark plugs (only to first scheduled replacement point)
- Evaporative System
 - Carbon canister and carbon canister mounting bracket
 - Carbon canister filter
 - Purge port/orifice connector
 - Fuel tank
 - Fuel cap and fuel cap gasket
 - Primer bulb canister
 - Fuel line (for liquid fuel and fuel vapors), fuel line fittings and clamps
 - Carburetor purge port connector

Limitations

This Emission Control Systems Warranty shall not cover any of the following:

- a. Consequential damages such as loss of time, inconvenience, loss of use of the engine or equipment, etc.
- b. Diagnosis and inspection fees that do not result in eligible warranty service being performed.

C) CALIFORNIA AND FEDERAL EXHAUST EMISSION CONTROL WARRANTY STATEMENT YOUR WARRANTY RIGHTS AND OBLIGATIONS

The California Air Resources Board, US Environmental Protection Agency ("US EPA") and Kohler Co. are pleased to explain the exhaust emission control systems warranty on your 2018-2020 Off-Road Large Spark-Ignition engine displacing less than 1 liter ("LSI <1L") and engine powered equipment as applicable. In California and the USA, LSI <1L must be designed, built and equipped to meet California and US EPA stringent anti-smog standards. Kohler Co. must warrant the emission control systems on your LSI <1L for the period listed below provided there has been no abuse, neglect or improper maintenance of your LSI <1L.

Your exhaust emission control systems may include parts such as carburetors, fuel-injection systems, the ignition system, and catalytic converters.

MANUFACTURER'S WARRANTY COVERAGE:

The 1995 and later LSI <1L exhaust emission control system is warranted for three years. If any exhaust emission-related part on your LSI <1L is defective, the part will be repaired or replaced by Kohler Co.

OWNER'S WARRANTY RESPONSIBILITIES:

As the LSI <1L owner, you are responsible for the performance of the required maintenance listed in your owner's manual. Kohler Co. recommends that you retain all receipts covering maintenance on your LSI <1L, but Kohler Co. cannot deny warranty solely for the lack of receipts. As the LSI <1L owner, you should however be aware that Kohler Co. may deny you warranty coverage if your LSI <1L or a part has failed due to abuse, neglect, improper maintenance or unapproved modifications.

You are responsible for presenting your LSI <1L to a Kohler Co. distribution or service center as soon as a problem exists. The warranty repairs should be completed in a reasonable amount of time, not to exceed 30 days. If you have a

question regarding your warranty coverage, you should contact Kohler Dealer at 1-800-544-2444 or visit www.KohlerEngines.com.

GENERAL EMISSIONS WARRANTY COVERAGE

The warranty period begins on the date the engine or equipment is delivered to an ultimate purchaser. Kohler Co. warrants to the ultimate purchaser and each subsequent purchaser that the engine is:

Designed, built, and equipped so as to conform with all applicable regulations adopted by the Air Resources Board and US EPA; and Free from defects in materials and workmanship that cause the failure of a warranted part to be identical in all material respects to the part as described in the engine manufacturer's application for certification.

The warranty on emissions-related parts is as follows:

(1) Any warranted part that is not scheduled for replacement as required maintenance in the owner's manual supplied, is warranted for the warranty period stated above. If any such part fails during the period of warranty coverage, the part will be repaired or replaced by Kohler Co. at no charge to the owner. Any such part repaired or replaced under the warranty will be warranted for the remaining warranty period.

(2) Any warranted part that is scheduled only for regular inspection in the owner's manual supplied, is warranted for the warranty period stated above. Any such part repaired or replaced under warranty will be warranted for the remaining warranty period.

(3) Any warranted part that is scheduled for replacement as required maintenance in the owner's manual supplied, is warranted for the period of time prior to the first scheduled replacement point for that part. If the part fails prior to the first scheduled replacement, the part will be repaired or replaced by Kohler Co. at no charge to the owner. Any such part repaired or replaced under warranty will be warranted for the remainder of the period prior to the first scheduled replacement point for the part.

(4) Add-on or modified parts that are not exempted by the Air Resources Board may not be used. The use of any non-exempted add-on or modified parts by the ultimate purchaser will be grounds for disallowing a warranty claim. The manufacturer will not be liable to warrant failures of warranted parts caused by the use of a non-exempted add-on or modified part.

PARTS COVERED BY WARRANTY

Listed below are the parts (if equipped) covered by the Federal and California Emission Control Systems Warranty. Some parts listed below may require scheduled maintenance and are warranted up to the first scheduled replacement point for that part.

- Oxygen sensor
- Intake manifold
- Exhaust manifold
- Catalytic muffler
- Thermal reactor muffler
- Fuel line, fuel line fittings and clamps
- Spark advance module
- Crankcase breather
- Air Injection System
 - Air pump or pulse valve assembly
 - Control/distribution valve
 - Distribution manifold
 - Air hoses
 - Vacuum lines
- Ignition module(s) with high tension lead
- Gaseous fuel regulator
- Electronic control unit
- Carburetor or fuel injection system
- Fuel metering valve
- Air filter, fuel filter, and spark plugs (only to first scheduled replacement point)

Limitations

This Emission Control Systems Warranty shall not cover any of the following:

- a. Consequential damages such as loss of time, inconvenience, loss of use of the engine or equipment, etc.
- b. Diagnosis and inspection fees that do not result in eligible warranty service being performed.



All Models

Warranty

Policies and Procedures



Hydro-Gear® Warranty Policies and Procedures

Limited Warranty

BLN-50225_P18 March, 2019

Hydro-Gear Limited Partnership (hereinafter referred to as "Hydro-Gear") warrants to the original equipment manufacturer (OEM), authorized distributor, or authorized servicing dealer purchasing a Hydro-Gear product or replacement parts (such purchaser is hereinafter referred to as "Buyer") that the product or replacement parts will be free from defects in material and workmanship at the time of shipment from Hydro-Gear, and will conform to such drawings and specifications as are applicable to the product or replacement parts under Hydro-Gear's sales agreement with Buyer.

The duration of this limited warranty is as set forth in the section below under the heading "WARRANTY PERIODS." During the applicable period of warranty, Hydro-Gear shall repair or replace at its option those products or their parts which are found by Hydro-Gear to be defective in material or workmanship at time of shipment, provided that Hydro-Gear or its authorized representative is first advised in writing of Buyer's contention of such defect (during such warranty period) and provided further, that the product or, if applicable, the replacement part in question is made available for inspection by Hydro-Gear or its authorized representative. To facilitate inspection, Hydro-Gear may request return of the product and/or part which Buyer contends to be defective. Product or parts failures or malfunctions which are not attributable to defects in material and/or workmanship, and which are not covered by the said warranty include, but are not limited to:

- * Inadequate, contaminated, or improper fluid.
- * Accident, abuse, improper maintenance, or neglect.
- * Stripped keyways, or splines stripped or worn on external shaft end.
- * Improper mounting of external pulleys, gears, couplings, etc.
- * Improper electrical connection or power supply.
- * Corrosion, or other damage, resulting from battery acid leakage.
- * Operating above those speeds, weights limits, pressures, or temperatures recommended by Hydro-Gear.
- * Use of the product in a manner or for a purpose not originally intended for by Hydro-Gear or failure to use in strict accordance with Hydro-Gear's written instructions.
- * Repairs or installation by personnel other than as authorized by Hydro-Gear.
- * Transportation.
- * Use of parts other than Genuine Hydro-Gear Parts or other parts authorized in writing by Hydro-Gear.
- * Misdiagnosis of component failure.
- * Maintenance items such as filters, oil, etc.

THE WARRANTIES SET FORTH HEREIN ARE IN LIEU OF AND TO THE EXCLUSION OF ALL OTHER WARRANTIES, WHETHER EXPRESS, IMPLIED, OR STATUTORY, INCLUDING BUT NOT BY WAY OF LIMITATION, WARRANTIES OF MERCHANTABILITY OR FITNESS FOR A PARTICULAR PURPOSE.

HYDRO-GEAR'S LIABILITY, WHETHER OF WARRANTY, NEGLIGENCE, OR OTHERWISE, IS LIMITED TO THE REPAIR OR REPLACEMENT AS HEREIN PROVIDED OR, AT HYDRO-GEAR'S SOLE OPTION, TO A REFUND OF THE PURCHASE PRICE. **THIS SHALL BE HYDRO-GEAR'S SOLE AND MAXIMUM LIABILITY AND UNDER NO CIRCUMSTANCES SHALL HYDRO-GEAR BE LIABLE FOR LIQUIDATED, SPECIAL, INCIDENTAL OR CONSEQUENTIAL DAMAGES.**

If Buyer grants warranty on Hydro-Gear products of greater scope than the warranties provided by Hydro-Gear, or extends any warranty period beyond the applicable period described in "**WARRANTY PERIODS,**" Buyer does so at its sole risk and expense and Buyer will indemnify and hold Hydro-Gear harmless from any claims of any party based on such greater warranty or period, and any expenses incurred in the defense of such claims. This warranty only applies to OEM's, authorized distributors, authorized servicing dealers, and by its terms does not extend to any person buying the product from such OEM, authorized distributor, or authorized servicing dealer, for personal, family, or household use. If Buyer makes available the benefits of this warranty to its customer, and if the Magnuson-Moss Warranty Improvement Act (Pub. L. 93-637) or similar state laws should apply, Buyer assumes all responsibility for compliance with such laws and any expenses incurred in the defense of any such claims, thereunder.

Note: Proof of purchase must be available if requested to assist in determining commencement of the warranty period. If proof of purchase is not available, the Hydro-Gear Serial Number will determine the commencement of the warranty period.

I. ORIGINAL (OEM) INSTALLED PRODUCTS^Δ

A. REVIEWED TWO YEAR NONCOMMERCIAL* USAGE (See Figure 1, Hydro-Gear Warranty Time Frames)

The warranty period shall be limited to the earlier of:

- (i) 24 consecutive months (2 years) from the date of first sale** of the product, or
- (ii) 24 consecutive months (2 years) from the date of manufacture if proof of purchase is not available upon request, and is subject to a limitation of 48 consecutive months (4 years) from the date of manufacture.***

B. REVIEWED ONE YEAR COMMERCIAL USAGE (See Figure 1, Hydro-Gear Warranty Time Frames)

The warranty period shall be limited to the earlier of:

- (i) 12 consecutive months (1 year) from the date of the first sale of the product, or
- (ii) 90 days from the date of the first sale of the product on Rental applications; or
- (iii) 12 consecutive months (1 year) from the date of manufacture if proof of purchase is not available upon request, and is subject to a limitation of 48 consecutive months (4 years) from the date of manufacture.

C. REVIEWED TWO YEAR COMMERCIAL USAGE (See Figure 1, Hydro-Gear Warranty Time Frames)

The warranty period shall be limited to the earlier of:

- (i) 24 consecutive months (2 years) from the date of the first sale of the product, or
- (ii) 90 days from the date of the first sale of the product on Rental applications; or
- (iii) 24 consecutive months (2 years) from the date of manufacture if proof of purchase is not available upon request, and is subject to a limitation of 48 consecutive months (4 years) from the date of manufacture.

II. REPLACEMENT PARTS AND UNITS^Δ

A. HYDRO-GEAR REPLACEMENT PARTS

- (i) All parts shall be warranted for 90 days from the date of first sale, or the balance of the original product warranty, whichever is longer.
- (ii) This warranty is subject to a limitation of 48 consecutive months (4 years) from the date of manufacture.

B. HYDRO-GEAR REPLACEMENT UNITS

- (i) Replacement units shall be warranted for 180 days from the date of first sale, or the balance of the original product warranty, whichever is longer.
- (ii) Nevertheless, the warranty period for replacement units in Rental applications is limited to 90 days from the date of first sale.
- (iii) These warranties for replacement units are subject to a limitation of 48 consecutive months (4 years) from the date of manufacture.

^Δ All Product repairs and replacements must be performed by an authorized dealer or service center to prevent Hydro-Gear's warranty from being voided.

* Noncommercial - any vehicle not reviewed for commercial use by Hydro-Gear.

** First sale - is considered the date a vehicle, replacement part or replacement unit is first sold by Buyer (OEM, authorized distributor, or authorized servicing dealer).

*** 48 consecutive months (4 years) from the date of manufacture – Any warranty period listed herein will remain in effect for its entire duration on any sale of the product by Buyer occurring up to 48 consecutive months (4 years) from the date of manufacture by Hydro-Gear. Hydro-Gear will not reimburse Buyer on warranty claims pertaining to products sold by Buyer more than 48 consecutive months (4 years) from the date of manufacture by Hydro-Gear. In the latter case, any warranty offered by Buyer is at the sole risk and expense of Buyer. In such case, Buyer will indemnify and hold Hydro-Gear harmless from the claims of any party based on such warranty, and from any expenses incurred in the defense of such claims.

Warranty Claims Procedure

- A. Claims submitted to Hydro-Gear will require a Hydro-Gear, OEM, Outdoor Power Equipment Institute (OPEI) or equivalent claim form from the servicing dealer. Dealer claims must provide all pertinent information typical on OPEI claim forms, i.e., owner's name, servicing dealer, Hydro-Gear Serial Numbers, symptoms, repair date, and type of use, etc.
- B. Complete Hydro-Gear product Model Number and Serial Number must be provided.
- C. All claims must be filed within 45 days of unit failure.
- D. Warranty claims will be processed in accordance with: BLN-51371 for the United States and Canada; BLN-51373 for Europe, and BLN-51374 for Australia.
- E. Hydro-Gear reserves the right to reduce or reject a warranty claim which does not comply with the stated procedures.
- F. Warranty labor rate(s) will be set by Hydro-Gear.
- G. Labor rate time guidelines will be as follows:

Hydraulic Units		Electric Units	
Hydraulic Unit Replacement	Up to Two hours maximum	Electric Unit (Transaxle) Replacement	Up to Two hours maximum
Hydraulic External Repair	Up to One hour maximum	Electric Unit (Transaxle) External Repair	Up to One hour maximum
Hydraulic Internal Repair	Up to Three hours maximum	Electric Unit (Transaxle) Internal Repair	Up to Three hours maximum
		Electric Component Replacement or Repair	Up to One hour maximum

Hydro-Gear Warranty Time Frames			
Hydraulic Product Group	2 Year Noncommercial Usage	1 Year Commercial Usage	2 Year Commercial Usage
ZT-1800 / ZT-2100 / ZT-2200 (EZT) ZT-2800	Yes	No	No
ZT-3100 / ZT-3200	Yes	Yes	No
ZT-3400 / ZT-3600 / ZT-3800 / ZT-4400 / ZT-5400	Yes	-	Yes
SST	Yes	No	No
RT-310	Yes	Yes	No
T1 / T2 / T3	Yes	No	No
310-0510 / 310-0610 / 310-0710	Yes	No	No
310-2000 / G700 / 310-3000 / 310-3500	Yes	No	No
Pumps (PC)	Yes	Yes	No
Pumps (PJ, PE, PL, PG, PK, PR, PW, PY)	Yes	-	Yes
Piston Motor (HGM-H, PRM)	Yes	-	Yes

Figure 1: Hydraulic Warranty Time Frames

Smartec Warranty Time Frames			
Electric Product Group	2 Year Noncommercial Usage	1 Year Commercial Usage	2 Year Commercial Usage
Electric Drive - ZT	Yes	No	No
Electric Drive - LT	Yes	No	No

Figure 2: Smartec Warranty Time Frames

- a) All warranty times listed in Figures 1 & 2 are for products originally installed in a machine by an OEM manufacturer.
- b) See sections I(B), I(C), II(A) and II(B) on the **Warranty Periods** page for Rental Application, Replacement Part, and Replacement Unit warranty information.



Battery Warranty Terms

The OE Interstate Battery will be covered under a free replacement warranty for 6 months. This warranty period will begin the date the lawnmower is purchased by the end user.

Battery Warranty Process

If you have a lawnmower that won't start, please complete these steps before calling for a warranty replacement. Completion of these steps before calling will expedite the warranty process.

1. Check the voltage of the battery. If the voltage reading is at or below 12.60 volts, the battery is most likely discharged and needs a slow recharge. If this is the case, move to step 2. If your battery's voltage is above 12.60 volts, move to step 5.
2. Charge the battery with a slow charger (4 amps or less). If you have an automatic shut-off charger, connect the battery to the charger and let the charger complete its charge cycle. If using a manual charger, utilize the following chart to determine necessary recharge time (a 15-60 minute charge WILL NOT be a sufficient recharge for a discharged battery and will be refused for warranty):

Open Circuit Voltage

Battery Voltage	State of Charge	Recommended Charge Time (Hours)		
		1 Amp	2 Amps	4 Amps*
12.84	100%	0	0	0
12.60	70%	20	10	5
12.40	50%	32	16	8
12.20	25%	52	26	13
12.00	0%	72	36	18

3. Once recommended charging time is complete, let battery rest for as long as possible (up to 24 hours) to deplete surface charge and increase testing accuracy.
4. Check voltage again. If the battery's voltage is still below 12.60 volts, repeat step 2. If voltage is above 12.60 volts, move to step 5.
5. Load test the battery according the instructions of your load tester and to the ratings of the battery. If the battery passes the load test, it can be re-installed in the lawnmower.
6. If the battery fails the load test, please contact Interstate Batteries at the number below to process the warranty battery. Please have the battery with you as the part number and manufacturer's date code will be required.

Interstate Batteries of NWMO
(816) 424-3417
sales@myinterstatestore.com

SPECIFICATIONS

AVENUE

MODEL	1842KAJ-A115	2354KOJ-A115
Engine	18hp Kawasaki FR600 (603cc)	23hp Kohler KT730 (725cc)
Hydrostatic Transmissions	Hydro-Gear EZT	
Steering Control	Single Joystick	
Fuel Capacity	5 Gallons	
Tires, Rear	18 X 8.5-8 Turf	18 X 9.5-8 Turf
Tires, Front	13x5-6 Smooth	
Turning Radius	Zero-Turn	
Ground Speed Forward Reverse	7 MPH (infinitely variable) 3 ³ / ₄ " MPH (infinitely variable)	
Length	79"	
Height,	29" (Seat Cushion), 45" (Seat Back)	
Width, Tractor (outside rear tires)	42 ³ / ₄ "	44 ¹ / ₂ "
Width, Deck (with deck chute up) (with deck chute down)	42 ³ / ₄ " 54 ¹ / ₄ "	55 ¹ / ₈ " 66 ¹ / ₂ "
Cutting Width	42"	54"
Blade Length (3 per deck)	21"	18 ³ / ₈ "
Cutting Height	1 ¹ / ₂ " to 4 ¹ / ₂ " (¹ / ₄ " increments)	
Weight (actual)	587#	635#
Standard Features	Stand-Up Deck, Electric Start, Sewn Seat, Sewn Arm Rest, Cup Holder, Fixed Front End, Hitch Plate	

BOULEVARD

MODEL	2348KOJ-B215	2354KOJ-B215	2354KOT-B215	2360KOT-B215	2360KOJ-B215
Engine	23hp Kohler KT730 (725cc)				
Hydrostatic Transmissions	Hydro-Gear ZT-2800 w/RTN Spring				
Steering Control	Single Joystick		Twinstick Controls		Single Joystick
Fuel Capacity	5 Gallons				
Tires, Rear	20x10-10 Turf	20x12-10 Turf			
Tires, Front	13 X 6.5-6 Smooth				
Turning Radius	Zero-Turn				
Ground Speed Forward Reverse	7 ¹ / ₂ " MPH (infinitely variable) 4 MPH (infinitely variable)				
Length	79"				
Height,	30" (Seat Cushion), 46" (Seat Back)				
Width, Tractor (outside rear tires)	47 ¹ / ₄ "	48 ¹ / ₂ "			
Width, Deck (with deck chute up) (with deck chute down)	49 ⁵ / ₈ " 57 ³ / ₄ "	55 ¹ / ₈ " 66 ¹ / ₂ "	62" 73 ¹ / ₂ "		
Cutting Width	48"	54"	60"		
Blade Length (3 per deck)	17"	18 ³ / ₈ "	21"		
Cutting Height	1 ¹ / ₂ " to 4 ¹ / ₂ " (¹ / ₄ " increments)				
Weight (actual)	688#	700#		722#	
Standard Features	Stand-Up Deck, Hour Meter, Electric Start, Sewn Seat, Sewn Arm Rest, Cup Holder, Fixed Front End, Hitch Plate				

Specifications subject to change without prior notice



PRODUCT MANUAL

AVENUE

A115

BOULEVARD

B215

Country Clipper Division

Shivvers Manufacturing, Inc.

613 W. English St.

Corydon, IA 50060-0467

Ph. 641-872-2544

Fax. 641-872-1593

P-13525 (Rev C - 4/22)