

Repair Parts



CHALLENGER D510

SERIAL RANGE: 21286001 - _____

COUNTRY CLIPPER
CHALLENGER-D510
SERIAL RANGE 21286001 - _____
ZERO TURN RADIUS MOWER
TABLE OF CONTENTS

SECTION 1 – MOWER DECKS AND RELATED PARTS

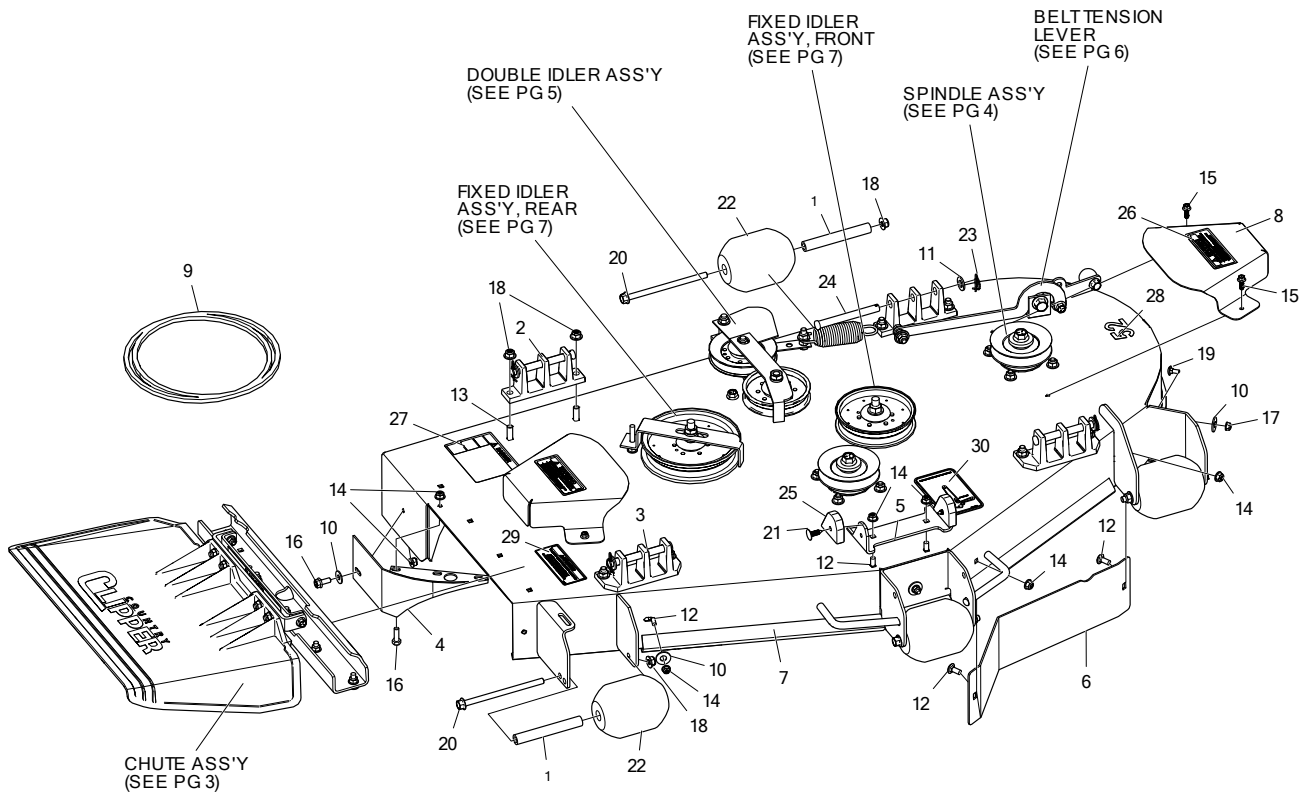
1. 52" DECK ASSEMBLY
2. 60" DECK ASSEMBLY
3. DISCHARGE CHUTE ASSEMBLY
4. DECK SPINDLE ASSEMBLY
5. DOUBLE IDLER DRIVE BELT IDLER
6. BELT TENSION LEVER
7. FIXED IDLERS & RELATED PARTS
8. DECK LIFT ASSEMBLY & RELATED PARTS
9. DECK LIFT ASSEMBLY & RELATED PARTS (CON'T)
10. CUT HEIGHT ASSEMBLY & RELATED PARTS

SECTION 2 – TRACTOR FRAME AND RELATED PARTS

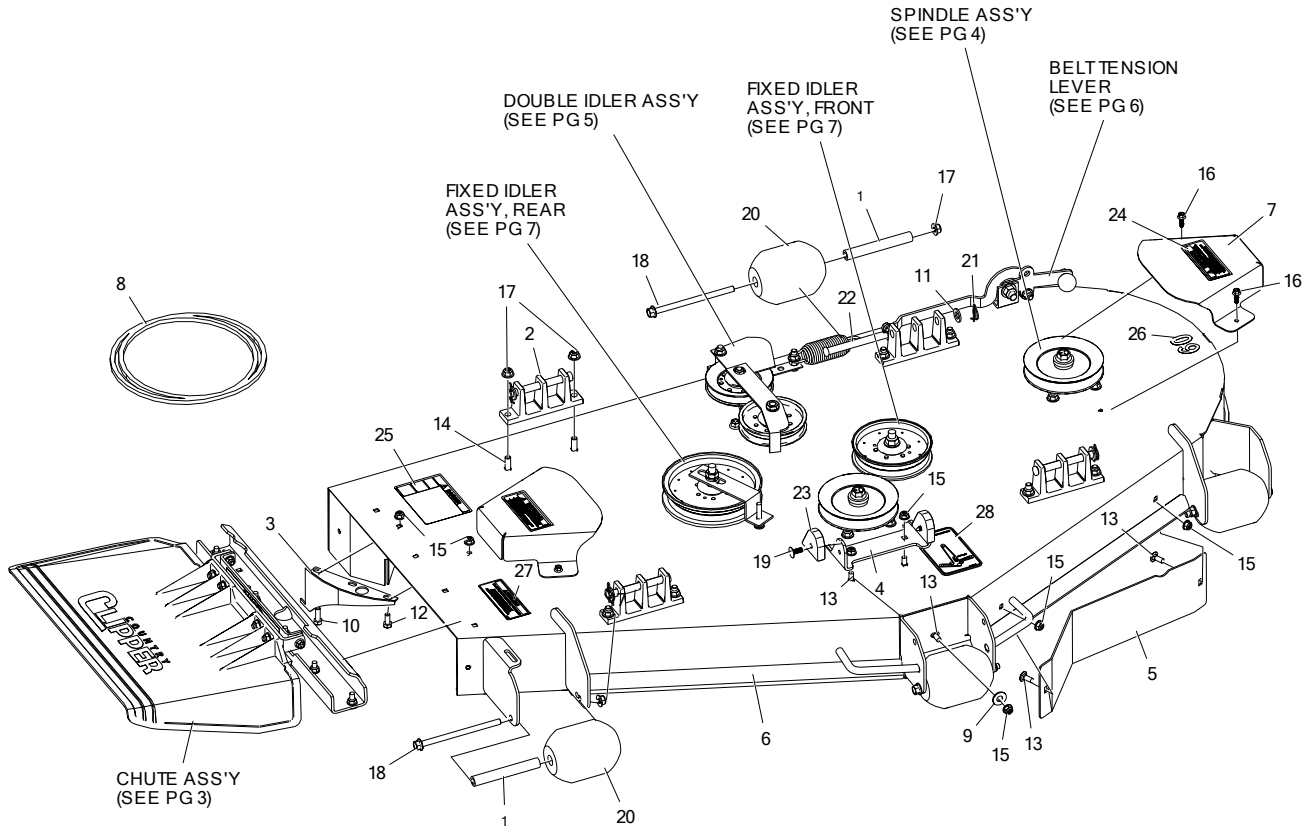
11. PIVOTING FRONT AXLE & FOOT PAN
12. TIRES AND FRONT STEP
13. FRONT PANEL ASSEMBLY & RELATED PARTS
14. FRONT PANEL ASSEMBLY & RELATED PARTS (CON'T)
15. BATTERY BOX
16. BRAKE ASSEMBLY

SECTION 3 – TRACTOR DRIVE AND RELATED PARTS

17. FUEL TANK ASSEMBLY
18. JOYSTICK CONTROL & RELATED PARTS
19. JOYSTICK ASSEMBLY
20. JOYSTICK ASSEMBLY MOUNTING & RELATED PARTS
21. TWIN LEVER CONTROL & RELATED PARTS
22. TWIN LEVER ASSEMBLY
23. CONTROL PANEL
24. FENDER ASSEMBLY & RELATED PARTS
25. TRANSMISSION ASSEMBLY & RELATED PARTS
26. TRANSMISSION ASSEMBLY & RELATED PARTS (CON'T)
27. TRANSMISSION ASSEMBLY & RELATED PARTS (CON'T)
28. SEAT BASE & RELATED PARTS
29. SEAT BASE & RELATED PARTS (CON'T)
30. ENGINES
31. ENGINE & CLUTCH MOUNTING & RELATED PARTS
32. WIRE HARNESS & RELATED PARTS
33. WIRE HARNESS SCHEMATIC



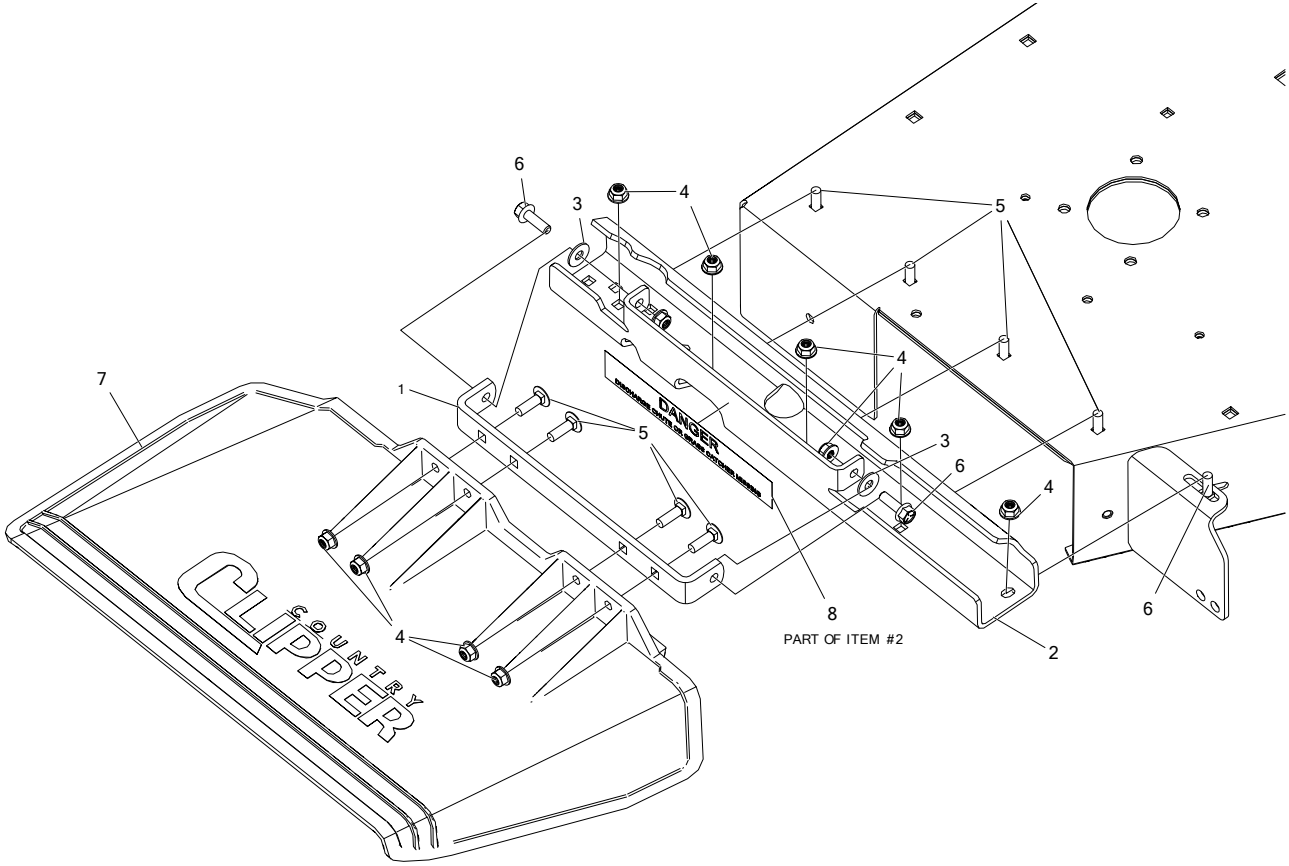
ITEM #	QTY	PART #	DESCRIPTION
1	5	609-183P	BUSHING
2	2	643-016W	DECK HANGER NARROW BASE
3	2	651-009W	DECK HANGER WIDE BASE
4	1	686-080W	SPLITTER DISCHARGE
5	1	722-034P	DECK STOP
6	1	722-041P	DEFLECTOR PLATE
7	2	722-046A	52" DECK W/ DECALS
8	4	722-048A	PULLEY COVER
9	1	D-3951	BANDL BELT B-166
10	4	F-1009-02	WASHER FLAT
11	4	F-1521	WASHER 1/2" CUSTOM YZ
12	6	F-1671	CARRIAGE BOLT 5/16-18 X 3/4" YZ, GR5
13	8	F-1672	BOLT CARRIAGE 3/8-16 X 1-1/4" YZ GR5
14	9	F-2063	NUT 5/16-18, NYLOC, FLANGED, YZ
15	4	F-2119	FHCS 1/4-20 X 3/4" YZ GR5 LOCK PATCH
16	3	F-2120	FHCS 5/16-18 X 3/4" X YZ, GR5
17	1	F-2132	NUT 1/4-20 NYLOC FLANGED YZ
18	13	F-2151	NUT 3/8-16 NYLOC FLANGED YZ
19	1	F-2155	BOLT CARRIAGE 1/4-20 X 5/8" YZ GR5
20	5	F-2161	FHCS 3/18-16 X 6" YZ GR5
21	2	F-2250	CLIP FIR TREE 1/4" X 1" BLACK NYLON
22	5	H-1948	ROLLER 3-3/4 DIA
23	4	H-2239	1/2" RUE RING
24	4	H-2240	1/2" X 4-1/2" CLEVIS PIN
25	2	H-3091	WEAR PAD
26	2	P-10935	DECAL "WARNING ROTATING DRIVE"
27	1	P-10941	DECAL DANGER
28	1	P-11951	DECAL DECK SIZE 52
29	1	P-12706	WARNING DECAL DISCHARGE CHUTE
30	1	P-12837	DECAL DECK BELT ROUTING



ITEM #	QTY	PART #	DESCRIPTION
1	5	609-183P	BUSHING
2	4	643-016W	DECK HANGER, NARROW BASE
3	1	686-006W	SPLITTER WELDMENT
4	1	722-034P	DECK STOP
5	1	722-041P	DEFLECTOR PLATE
6	2	722-047A	60" DECK W/ DECALS
7	4	722-048A	PULLEY COVER
8	1	D-3776-W	BELT B-180"
9	2	F-1009-03	WASHER, FLAT, 3/8, YZ
10	1	F-1015-15	HHCS, 5/16-18 X 1", YZ, GR5
11	4	F-1521	WASHER, 1/2" CUSTOM, YZ
12	1	F-1546	HHCS, 5/16-18 X 3/4"
13	6	F-1671	CARRIAGE BOLT, 5/16-18 X 3/4", YZ, GR5
14	8	F-1672	BOLT, CARRIAGE, 3/8-16 X 1-1/4", YZ, GR5
15	8	F-2063	NUT, 5/16-18, NYLOC, FLANGED, YZ
16	4	F-2119	FHCS, 1/4-20 X 3/4", YZ, GR5, LOCK PATCH
17	13	F-2151	NUT, 3/8-16 NYLOC, FLANGED, YZ
18	5	F-2161	FHCS, 3/18-16 X 6" YZ, GR5
19	2	F-2250	CLIP, FIR TREE, 1/4" X 1", BLACK NYLON
20	5	H-1948	ROLLER, 3-3/4 DIA
21	4	H-2239	1/2" RUE RING
22	4	H-2240	1/2" X 4-1/2" CLEVIS PIN
23	2	H-3091	WEAR PAD
24	2	P-10935	DECAL, "WARNING ROTATING DRIVE"
25	1	P-10941	DECAL, DANGER
26	1	P-11952	DECAL, DECK SIZE, 60
27	1	P-12706	WARNING DECAL, DISCHARGE CHUTE
28	1	P-12837	DECAL, DECK BELT ROUTING

CHALLENGER
(D510)

DISCHARGE CHUTE ASS'Y
& RELATED PARTS



ITEM #	QTY	PART #	DESCRIPTION
1	1	643-110P	CHUTE HINGE
2	2	643-135A	OUTLET STIFFENER W/ DECALS, SMALL
3	2	F-1009-02	WASHER, FLAT
4	11	F-2063	NUT, 5/16-18, NYLOC, FLANGED, YZ
5	8	F-2066	BOLT, CARRIAGE, 5/16-18 X 1", YZ, GR5
6	3	F-2148	FHCS, 5/16-18 x 1", YZ, GR5
7	1	H-2723	CHUTE, DISCHARGE, SMALL
8	1	P-12496	DECAL, CHUTE MISSING

CHALLENGER
(D510)

DECK SPINDLE ASSEMBLY
{D-4020}

PARTS MARKED "*" ARE PART
OF COMPLETE ASSEMBLY

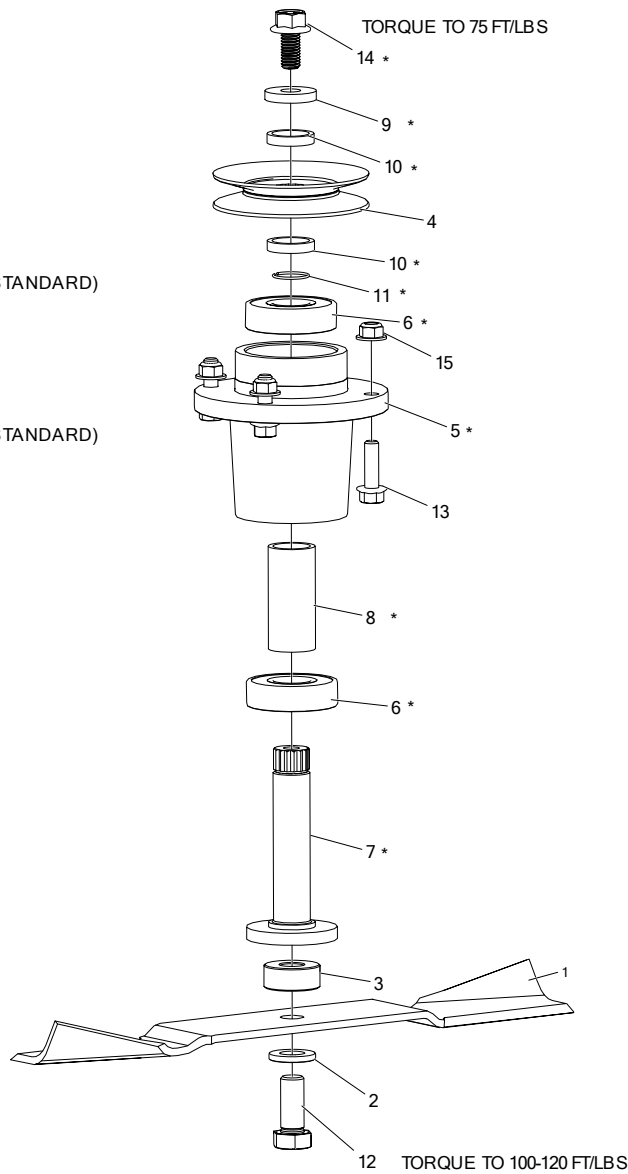
BLADE PART NUMBERS

52" DECK

- H-2883 HIGH LIFT W/O FUSION (STANDARD)
- H-2884 HIGH LIFT W/ FUSION
- H-2660 LOW LIFT
- H-2666 GATOR

60" DECK

- H-2885 HIGH LIFT W/O FUSION (STANDARD)
- H-2886 HIGH LIFT W/ FUSION
- H-2661 LOW LIFT
- H-2667 GATOR

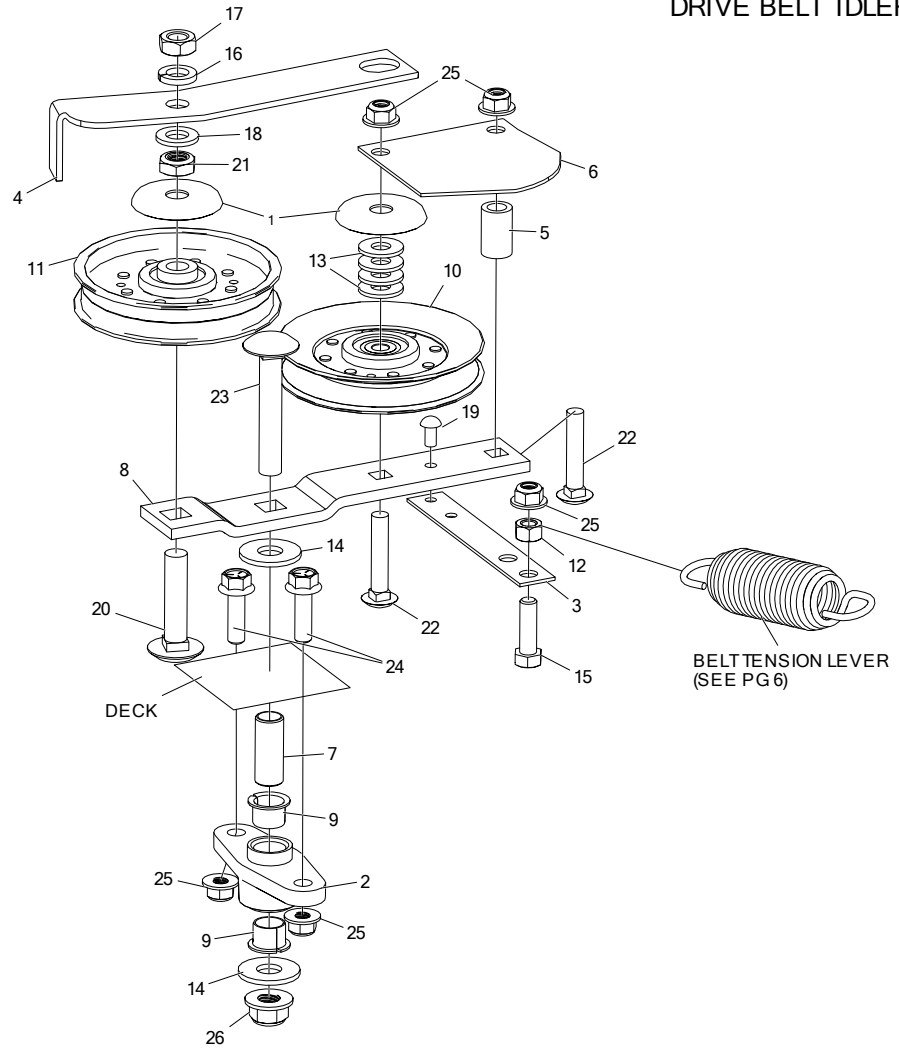


ITEM #	QTY	PART #	DESCRIPTION
1	1	H-2883	BLADE,HL, 18.375, 52 (STANDARD)
-	1	H-2885	BLADE, HL, 20.953, 60 (STANDARD)
-	1	H-2884	BLADE, HL FUSION, 18.375, 52
-	1	H-2886	BLADE, HL FUSION, 20.953, 60
-	1	H-2660	BLADE, 18.375 X .63, LOW LIFT, 52
-	1	H-2661	BLADE, 20.953 X .63, LOW LIFT, 60
-	1	H-2666	BLADE, 18.375 X .63, GATOR, 52
-	1	H-2667	BLADE, 20.86 X .63, GATOR, 60
2	1	660-099P	WASHER, BLADE, 5/8
3	1	660-206P	SPINDLE SPACER
4	1	D-3918	PULLEY, 5.195, A-B, 60" DECK
-	1	D-3920	PULLEY, 4.513, A-B, 52" DECK

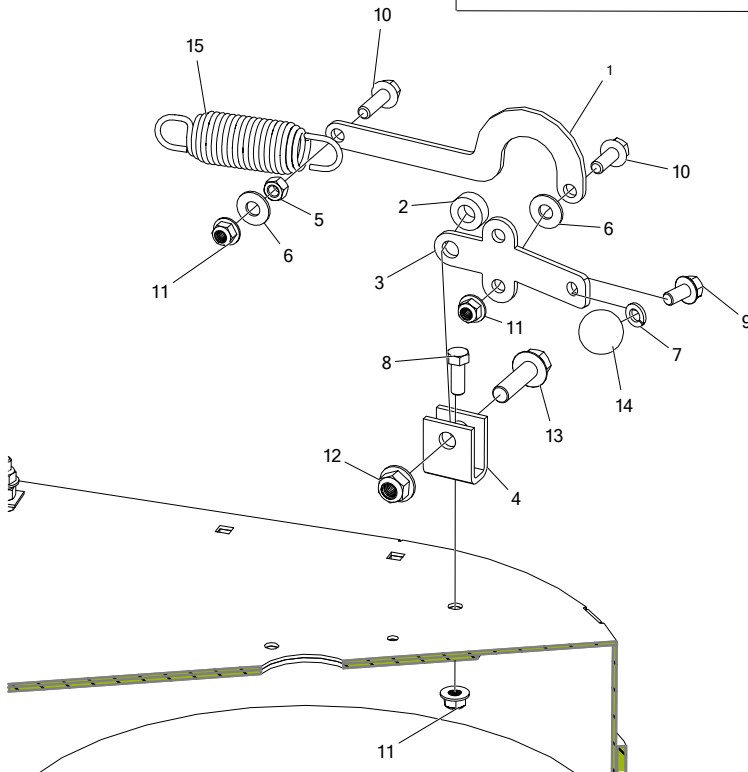
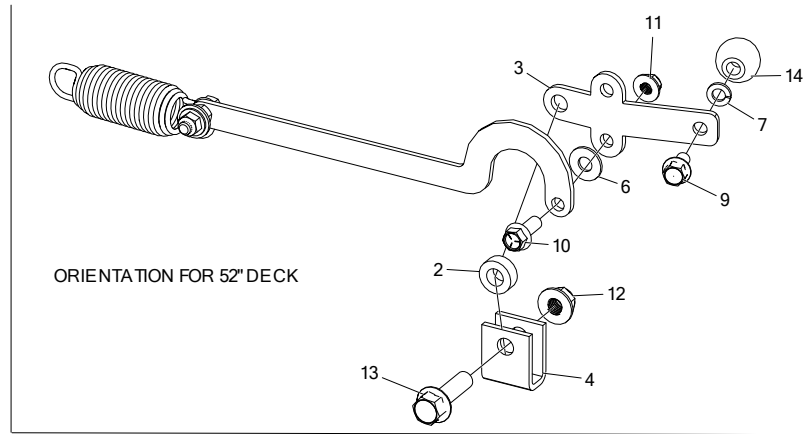
ITEM #	QTY	PART #	DESCRIPTION
5	1	----	SPINDLE HOUSING, MEDIUM DUTY
6	2	D-4020-2	BEARING, HCH 6305-2RS1
7	1	D-4020-3	SPINDLE SHAFT, MEDIUM DUTY
8	1	----	SPINDLE SPACER
9	1	D-4020-5	SPINDLE HARD WASHER
10	2	D-4020-6	PULLEY ALIGNMENT SPACER
11	1	D-3991	RETAINING RING
12	1	F-1650	HHCS, 5/8-11 X 2", GR5, YZ
13	4	F-2125	FHCS, 3/8-16 X 1-1/4", YZ, GR5
14	1	F-2143	FHCS, 1/2-13 X 1", YZ, GR5
15	4	F-2151	NUT, 3/8-16 NYLOC, FLANGED, YZ

CHALLENGER
(D510)

DOUBLE IDLER
DRIVE BELT IDLER



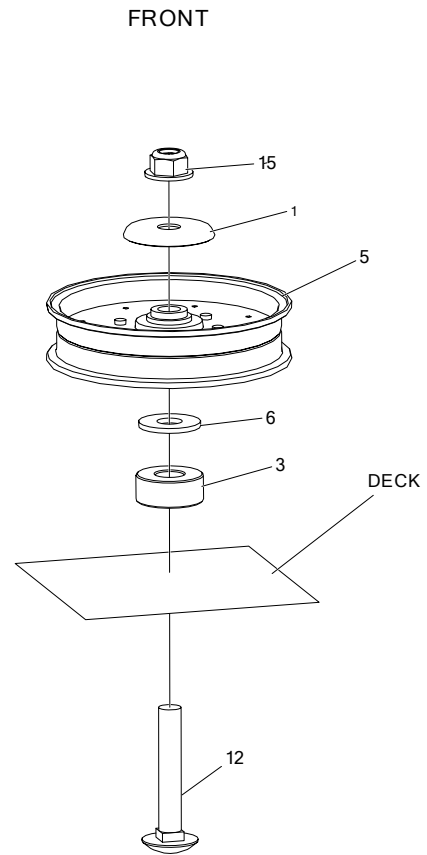
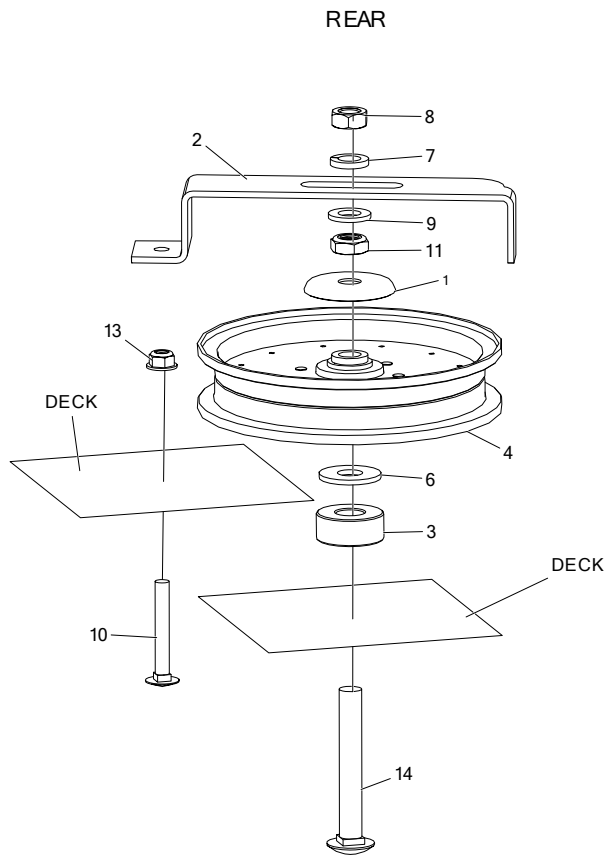
ITEM #	QTY	PART #	DESCRIPTION
1	2	620-201P	WASHER, BEARING CAP
2	1	660-039P	MOUNT, DOUBLE IDLER
3	1	660-081P	EXTENSION, SPRING
4	1	660-107P	BELT KEEPER, A BELT
5	1	668-021P	SPACER, BELT GUARD
6	1	714-183P	BELT GUARD, 54"
7	1	722-031P	MOUNTING PIN
8	1	722-032P	IDLER ARM
9	2	D-3730	BUSHING, DU 5/8 DIA X 1/2 LG
10	1	D-3923	PULLEY, V-IDLER, 4.59OD, AB, NTN
11	1	D-3924	PULLEY, FLAT IDLER, 4.25 OD, NTN, DBL INSERT
12	1	F-1005-03	NUT, 3/8-16, CENTERLOCK, YZ, GR5
13	4	F-1009-03	WASHER, FLAT, 3/8, YZ
14	2	F-1009-05	WASHER, FLAT STD, 1/2" NOMINAL, YZ
15	1	F-1307	HHCS, 3/8-16 X 1-1/4", YZ, GR5
16	1	F-1464	LOCKWASHER, 1/2"
17	1	F-1489	NUT, HEX, JAM, 1/2-13, YZ
18	1	F-1521	WASHER, 1/2" CUSTOM, YZ
19	1	F-1733	DRIVE SCREW, 1/4" X 1/2", RND HD
20	1	F-1822	BOLT, CARRIAGE, 1/2-13 X 2-1/4", YZ, GR5
21	1	F-1966	NUT, THIN, 1/2-13, NYLOC, YZ
22	2	F-1976	BOLT, CARRIAGE, 3/8-16 X 2", YZ, GR5
23	1	F-2047	CARRIAGE BOLT, 1/2-13 X 3" ZINC/YELLOW DICHROMATE FULL THREAD
24	2	F-2125	FHCS, 3/8-16 X 1-1/4", YZ, GR5
25	5	F-2151	NUT, 3/8-16 NYLOC, FLANGED, YZ
26	1	F-2152	NUT, 1/2-13 NYLOC, FLANGED, YZ



ITEM #	QTY	PART #	DESCRIPTION
1	1	722-040P	BELT TIGHTENER ARM, 52" DECK
-	1	722-044P	BELT TIGHTENER ARM, 60" DECK
2	2	660-038P	SPACER, 3/8" WIDE
3	2	660-184P	HANDLE, BELT TENSIONER
4	2	661-015P	SHACKLE
5	1	F-1005-03	NUT, 3/8-16, CENTERLOCK, YZ, GR5
6	3	F-1009-03	WASHER, FLAT, 3/8, YZ
7	2	F-1019-03	LOCKWASHER, HVY, 3/8, YZ
8	1	F-1394	HHCS, 3/8-16NC X 1", GR.5, YELLOW PLATED
9	2	F-2124	FHCS, 3/8-16 X 3/4", YZ, GR5
10	3	F-2141	FHCS, 3/8-16 X 1
11	4	F-2151	NUT, 3/8-16 NYLOC, FLANGED, YZ
12	2	F-2152	NUT, 1/2-13 NYLOC, FLANGED, YZ
13	2	F-2154	FHCS, 1/2-13 x 1-3/4", YZ, GR5
14	2	H-2405	BALL, 1-1/4"
15	1	H-2619	SPRING, 5 X 1-1/2, TAPERED ENDS

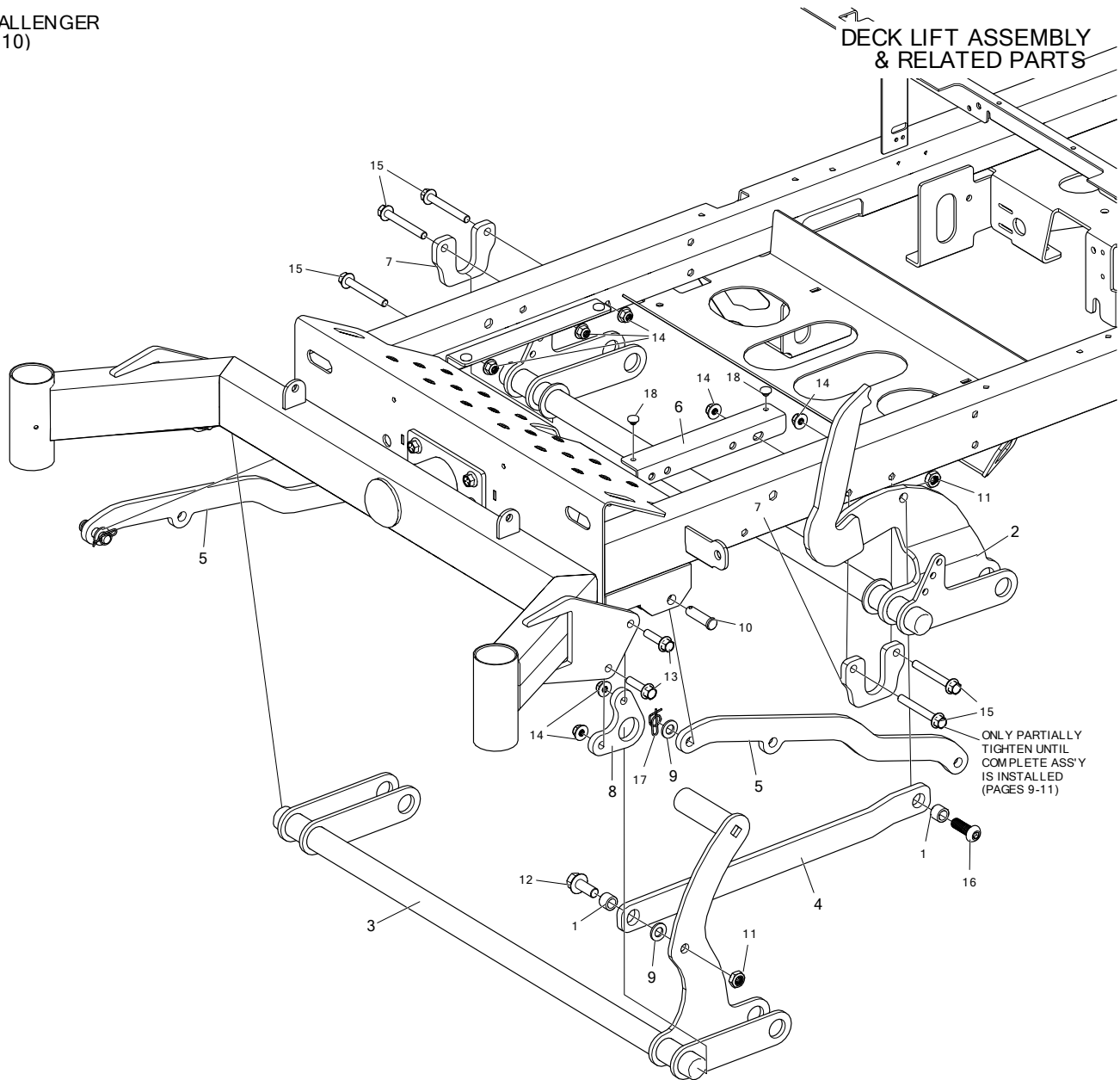
CHALLENGER
(D510)

FIXED IDLER ASSEMBLIES



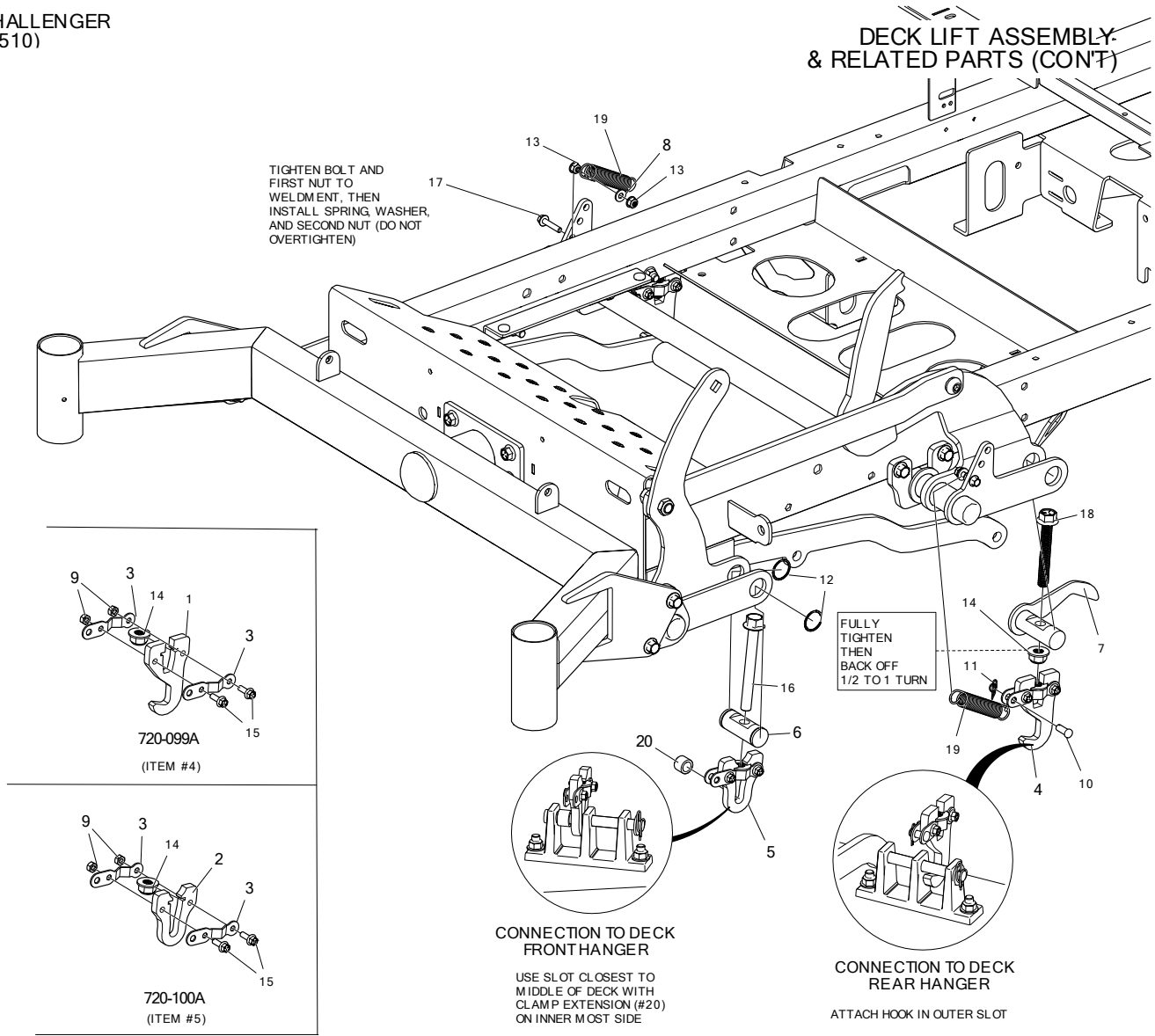
ITEM #	QTY	PART #	DESCRIPTION
1	2	620-201P	WASHER, BEARING CAP
2	1	660-112P	BELT KEEPER, 52" DECK
-	1	660-114P	BELT KEEPER, 60" DECK
3	2	660-206P	SPINDLE SPACER
4	1	D-3903	PULLEY, FLAT IDLER, 6" (NTN)
5	1	D-3904	PULLEY, FLAT IDLER, 5"
6	2	F-1009-05	WASHER, FLAT STD, 1/2" NOMINAL, YZ
7	1	F-1464	LOCKWASHER, 1/2"
8	1	F-1489	NUT, HEX, JAM, 1/2-13, YZ
9	1	F-1521	WASHER, 1/2" CUSTOM, YZ
10	1	F-1707	CARRIAGE BOLT, 5/16-18 X 2-1/4 ZINC PLATED
11	1	F-1966	NUT, THIN, 1/2-13, NYLOC, YZ
12	1	F-2047	CARRIAGE BOLT, 1/2-13 X 3" ZINC/YELLOW DICHROMATE FULL THREAD
13	1	F-2063	NUT, 5/16-18, NYLOC, FLANGED, YZ
14	1	F-2106	BOLT, CARRIAGE, 1/2-13 X 3-1/2", YZ, GR5
15	1	F-2152	NUT, 1/2-13 NYLOC, FLANGED, YZ

DECK LIFT ASSEMBLY
& RELATED PARTS



ITEM #	QTY	PART #	DESCRIPTION
1	2	720-010P	CLAMP EXTENSION
2	1	720-079W	WLDT, DECK LIFT, REAR
3	1	720-133W	WLDT, DECK LIFT, FRONT
4	1	720-090P	DECK LIFT LINK
5	2	720-093P	DRAG BAR
6	2	720-094P	FLOOR PAN SUPPORT
7	2	724-032P	DECK PIVOT MOUNT PLATE
8	2	724-033P	DECK SUSPENSION FRONT PLATE
9	3	F-1521	WASHER, 1/2" CUSTOM, YZ
10	2	F-1896	CLEVIS PIN, 1/2 X 1-3/4", YZ
11	2	F-1966	NUT, THIN, 1/2-13, NYLOC, YZ
12	1	F-2127	FHCS, 1/2-13 X 1-1/4", YZ, GR5
13	4	F-2147	FHCS, 3/8-16 X 1-1/2", YZ, GR5
14	9	F-2151	NUT, 3/8-16 NYLOC, FLANGED, YZ
15	5	F-2180	FHCS, 3/8-16 x 3", YZ, GR5
16	1	F-2278	BUTTON SHCS, 1/2-13 X 1-1/2, YZ
17	2	H-2239	1/2" RUE RING
18	4	H-2461	RUBBER BUMPER

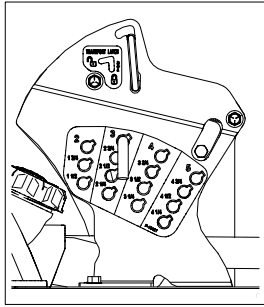
DECK LIFT ASSEMBLY
& RELATED PARTS (CONT)



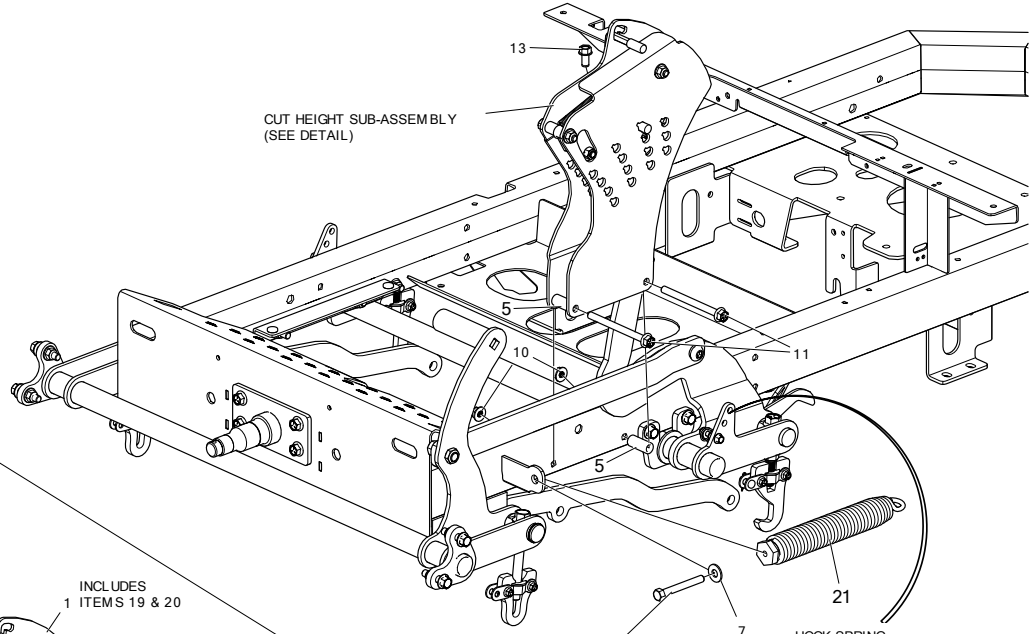
ITEM #	QTY	PART #	DESCRIPTION
1	2	720-096P	DECK HANGER, REAR
2	2	720-097P	DECK HANGER, FRONT
3	8	720-098P	NUT RETAINER
4	2	720-099A	ASS'Y, DECK HANGER, REAR
5	2	720-100A	ASS'Y, DECK HANGER, FRONT
6	2	724-052P	HANGER PIN, FRONT
7	1	724-091W	HANGER PIN WLDT, REAR LH
-	1	724-092W	HANGER PIN WLDT, REAR RH
8	2	F-2097	WASHER, FENDER, 1/4" X 7/8"
9	8	F-1158	NUT, CENTERLOCK, 1/4-20, YZ, GR5
10	2	F-1443	CLEVIS PIN, 5/16 X 7/8"
11	2	F-1492	RUE RING, 5/16
12	4	F-1998	SPIROL RING 1"
13	4	F-2132	NUT, 1/4-20 NYLOC, FLANGED, YZ
14	6	F-2152	NUT, 1/2-13 NYLOC, FLANGED, YZ
15	8	F-2162	FHCS, 1/4-20 X 3/4", YZ, GR5
16	2	F-2181	FHCS, 1/2-13 X 4.50, YZ, GR8
17	2	F-2182	FHCS, 1/4-20 X 1-1/4", YZ, GR5
18	2	F-2277	FHCS 1/2-13 X 3-1/2, GR5, YZ, FULL THREAD
19	2	H-1635	SPRING, EXT, 3/4" OD X 4" OAL
20	2	720-010P	CLAMP EXTENSION

CHALLENGER
(D510)

CUT HEIGHT ASSEMBLY
& RELATED PARTS



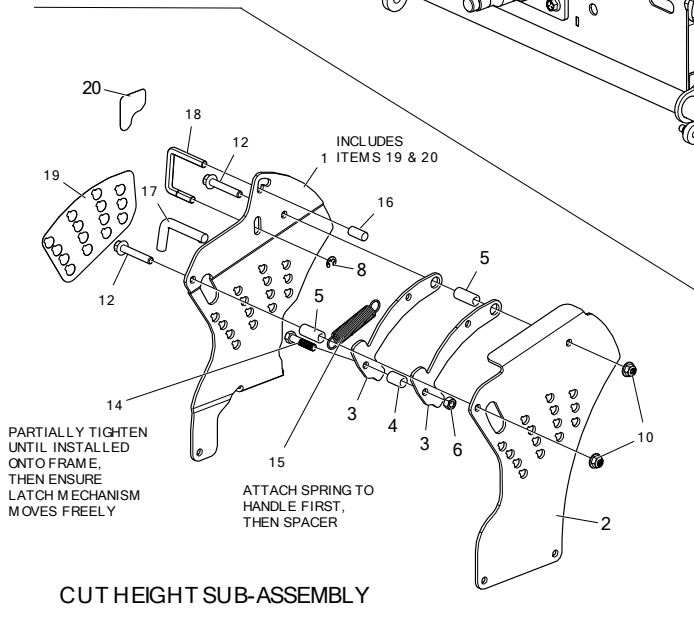
INSIDE VIEW OF CUT HEIGHT SUB-ASSEMBLY, SHOWING DECALS



CUT HEIGHT SUB-ASSEMBLY
(SEE DETAIL)

HOOK SPRING
(WITH HOOK ON TOP) IN
TOP HOLE - 52" & 60" DECKS

WITH DECK CONNECTED,
TIGHTEN UNTIL GAP BETWEEN
TAB ON FRAME AND SPRING IS
APPROXIMATELY
1" - 52" DECK
0.5" - 60" DECK



PARTIALLY TIGHTEN
UNTIL INSTALLED
ONTO FRAME,
THEN ENSURE
LATCH MECHANISM
MOVES FREELY

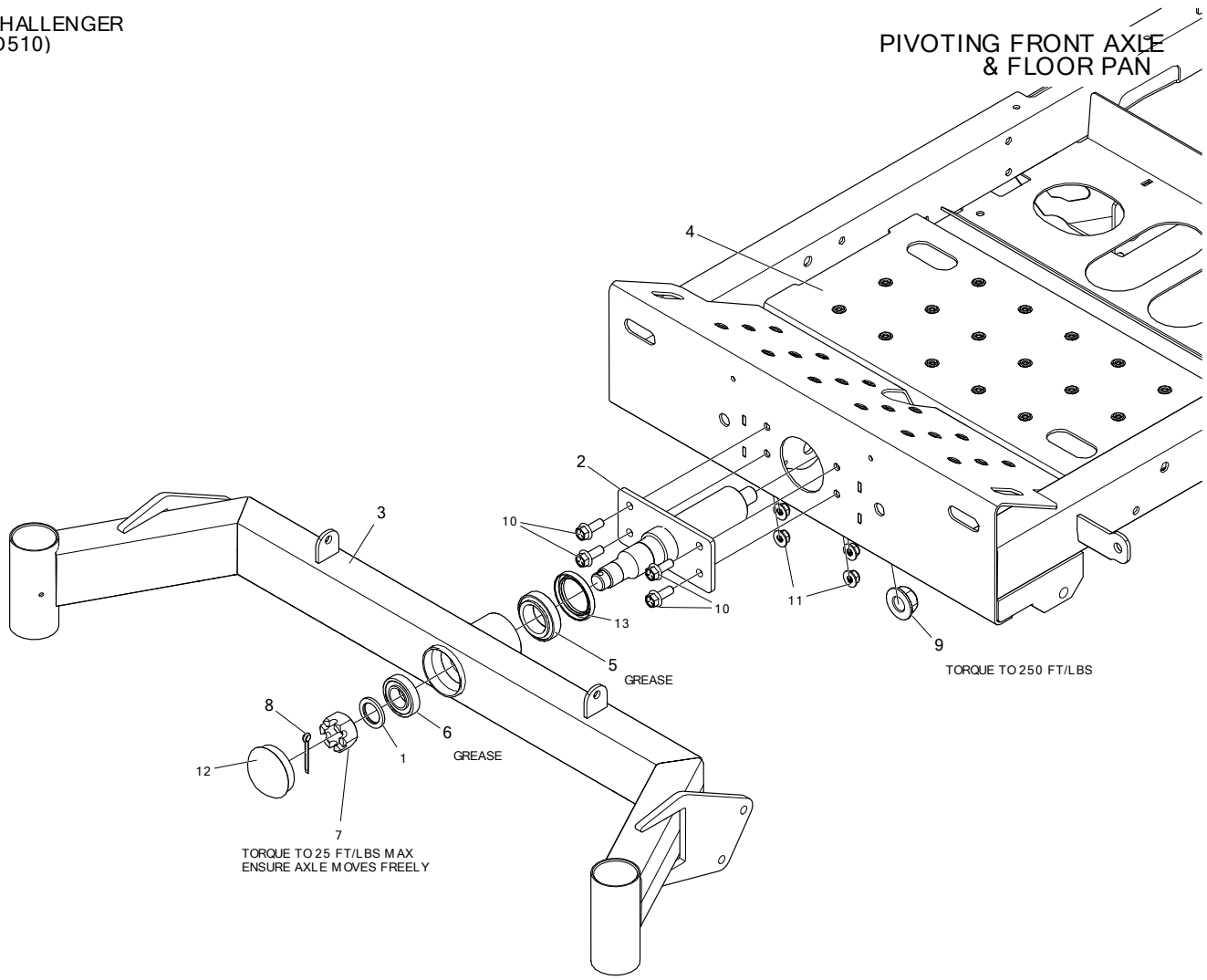
ATTACH SPRING TO
HANDLE FIRST,
THEN SPACER

CUT HEIGHT SUB-ASSEMBLY

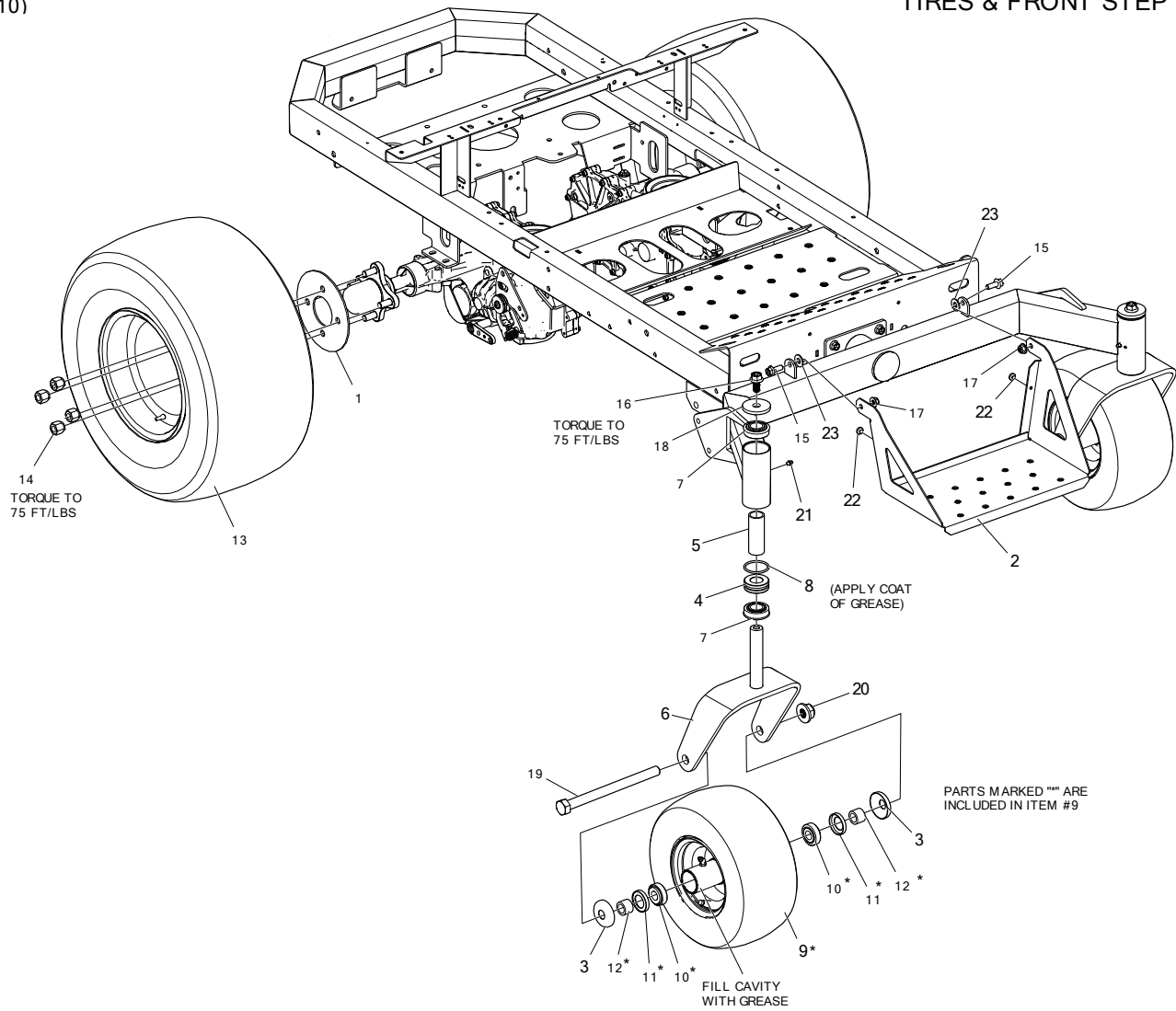
ITEM #	QTY	PART #	DESCRIPTION
1	1	720-134A	PLATE, CUT HEIGHT - INNER W/ DECALS
2	1	720-105P	PLATE, CUT HEIGHT - OUTER
3	2	724-042P	CATCH PLATE
4	1	724-079P	SPACER, CATCH PLATE
5	4	724-080P	SPACER, CUT HEIGHT PLATE
6	1	F-1005-03	NUT, 3/8-16, CENTERLOCK, YZ, GR5
7	1	F-1009-03	WASHER, FLAT, 3/8, YZ
8	1	F-1080	SNAP RING TRUARC #5144-37 3/8 HEAVY E-RING
9	1	F-1329	SCREW, 3/8-16 X 3 GR5 FULL THREADED, PLATED
10	4	F-2151	NUT, 3/8-16 NYLOC, FLANGED, YZ
11	2	F-2160	FHCS, 3/8-16 X 4-1/2", YZ, GR5
12	2	F-2218	FHCS, 3/8-16 X 2-1/4", YZ, GR5
13	1	F-2219	FHCS, 3/8-16 X 3/4", CZ, THD FORMING
14	1	F-2260	HHCS, 3/8-16 X 1-3/4, YZ, GR8
15	1	H-1635	SPRING, EXT, 3/4" OD X 4" OAL
16	1	H-2327	3/8 DIA X 1" LONG END CAP
17	1	H-3013	DECK HEIGHT PIN
18	1	H-3120	TRANSPORT LATCH RELEASE HANDLE
19	1	P-13421	DECAL, CUT HEIGHT
20	1	P-13437	DECAL, TRANSPORT LATCH
21	1	H-3117	EXTENSION SPRING, 1.585 O.D. x (9.8) LONG, W/THREADED PLUG

CHALLENGER
(D510)

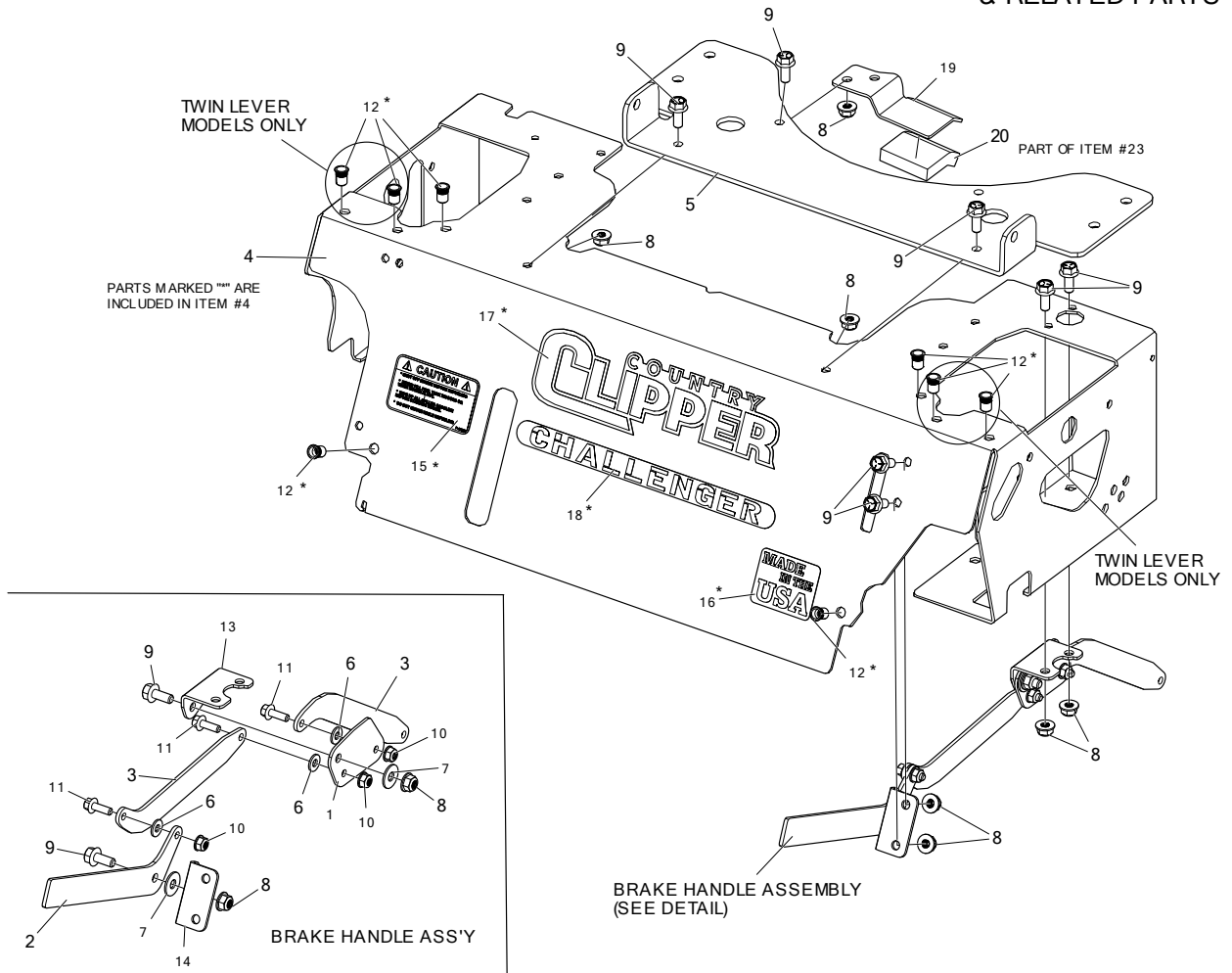
PIVOTING FRONT AXLE
& FLOOR PAN



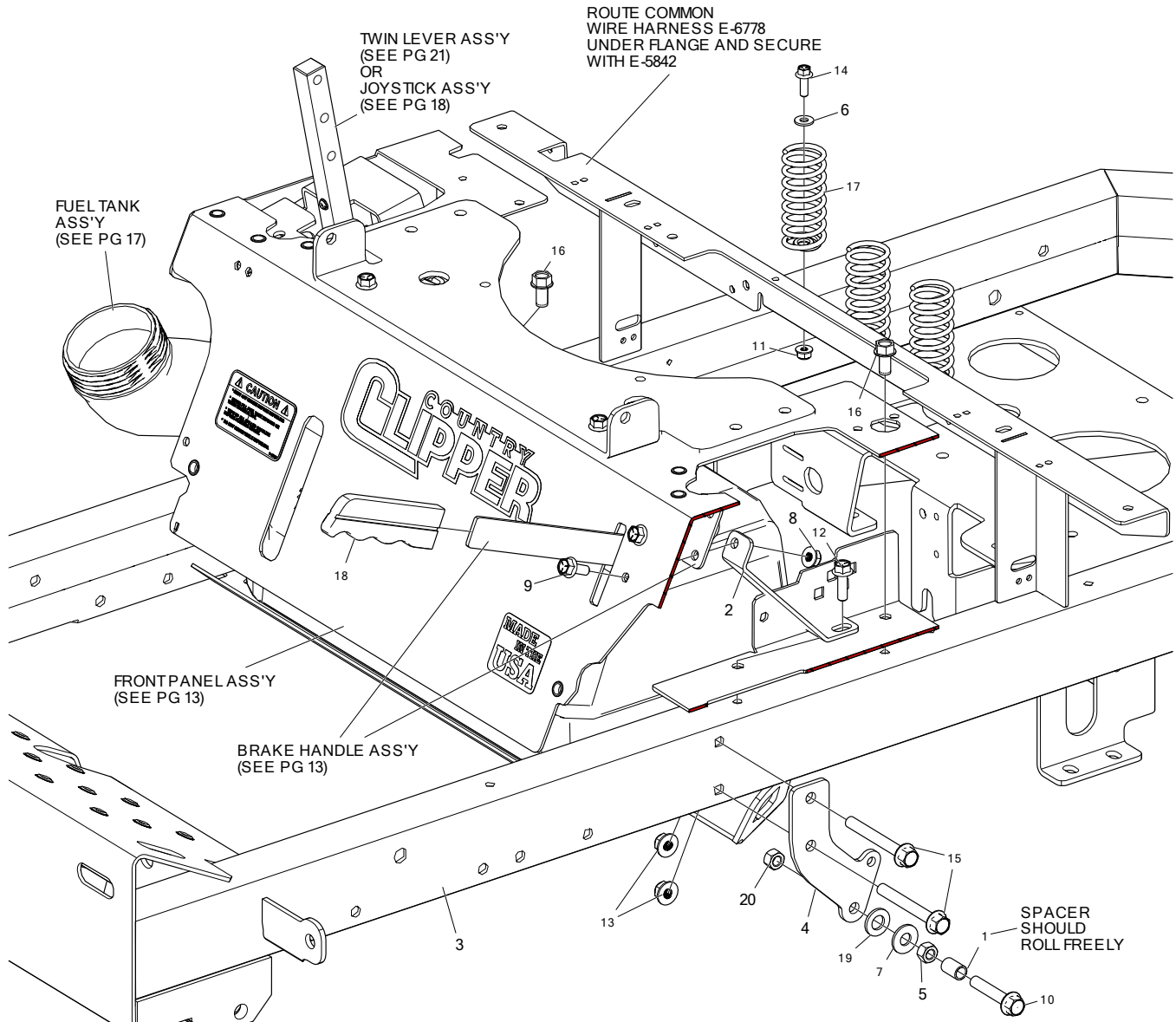
ITEM #	QTY	PART #	DESCRIPTION
1	1	606-303P	WASHER, 10GA GALVANIZED
2	1	724-056W	WLDT, PIVOT SHAFT
3	1	720-121W-B	WLDT, FRONT AXLE, BLACK
4	1	720-095P	FLOOR PAN
5	1	D-3825	BRG, TAPERED, SET, L68149-L68110
6	1	D-3826	BRG, TAPERED, SET, L44643-L44610
7	1	F-1724	NUT, HEX, SLOTTED, 1-14, YZ
8	1	F-1728	COTTER PIN, 3/16 X 2", YZ
9	1	F-2078	NUT, 3/4-16, TOP LOCK, GR-GT, YZ
10	4	F-2141	FHCS, 3/8-16 X 1", YZ, GR5
11	4	F-2151	NUT, 3/8-16 NYLOC, FLANGED, YZ
12	1	H-1924	GREASE CAP PLATED
13	1	H-2812	SEAL, SHAFT, 1.75, 2.38, 0.313



ITEM #	QTY	PART #	DESCRIPTION
1	2	659-092P	WHEEL BACKING PLATE
2	1	663-134P	STEP, EXTENDED
3	4	663-221P	CAP, WHEEL BEARING
4	2	720-047P	DRAG RING - SERIAL RANGE: 21286001 - 21318999
-	2	720-135P	DRAG RING, (FOR 5MM O-RING) - SERIAL RANGE: 21319001 -
5	2	721-021P	SPACER, CASTER
6	2	721-022W	WLDT, CASTER YOKE
7	4	D-2008-02	BEARING, SPD, SF-16-32
8	2	D-3969	O-RING, 70 DURO NITRILE - SERIAL RANGE: 21286001 - 21318999
-	2	D-4190	O-RING, 5MM X 44MM I.D. - SERIAL RANGE: 21319001 -
9	5	D-4021	TIRE ASS'Y, FLAT BLACK, SMOOTH, 13 X 6.5-6
10	2	D-4021-4	TAPER ROLLER BEARING, LM11949/11910
11	2	D-4021-5	GREASE SEAL, S17828001
12	2	D-4021-6	SPACER, SPCR005
13	2	D-4033	TIRE ASS'Y, 22 X 11-10, TURF, FLAT BLACK
14	8	F-1499	LUG NUT, 1/2-20, YZ
15	2	F-2141	FHCS, 3/8-16 X 1", YZ, GR5
16	2	F-2143	FHCS, 1/2-13 X 1", YZ, GR5
17	2	F-2151	NUT, 3/8-16 NYLOC, FLANGED, YZ
18	2	F-2179	WASHER, CASTER, .531 ID X 2.25 OD X .25THK, YZ
19	2	F-2194	HHCS, 3/4-10 X 9-1/2", YZ, GR5
20	2	F-2195	NUT, FLANGE NYLOC, YZ
21	2	H-1056	1/4" GREASE FITTING
22	2	H-2461	RUBBER BUMPER
23	2	F-1009-03	WASHER, FLAT, 3/8", YZ

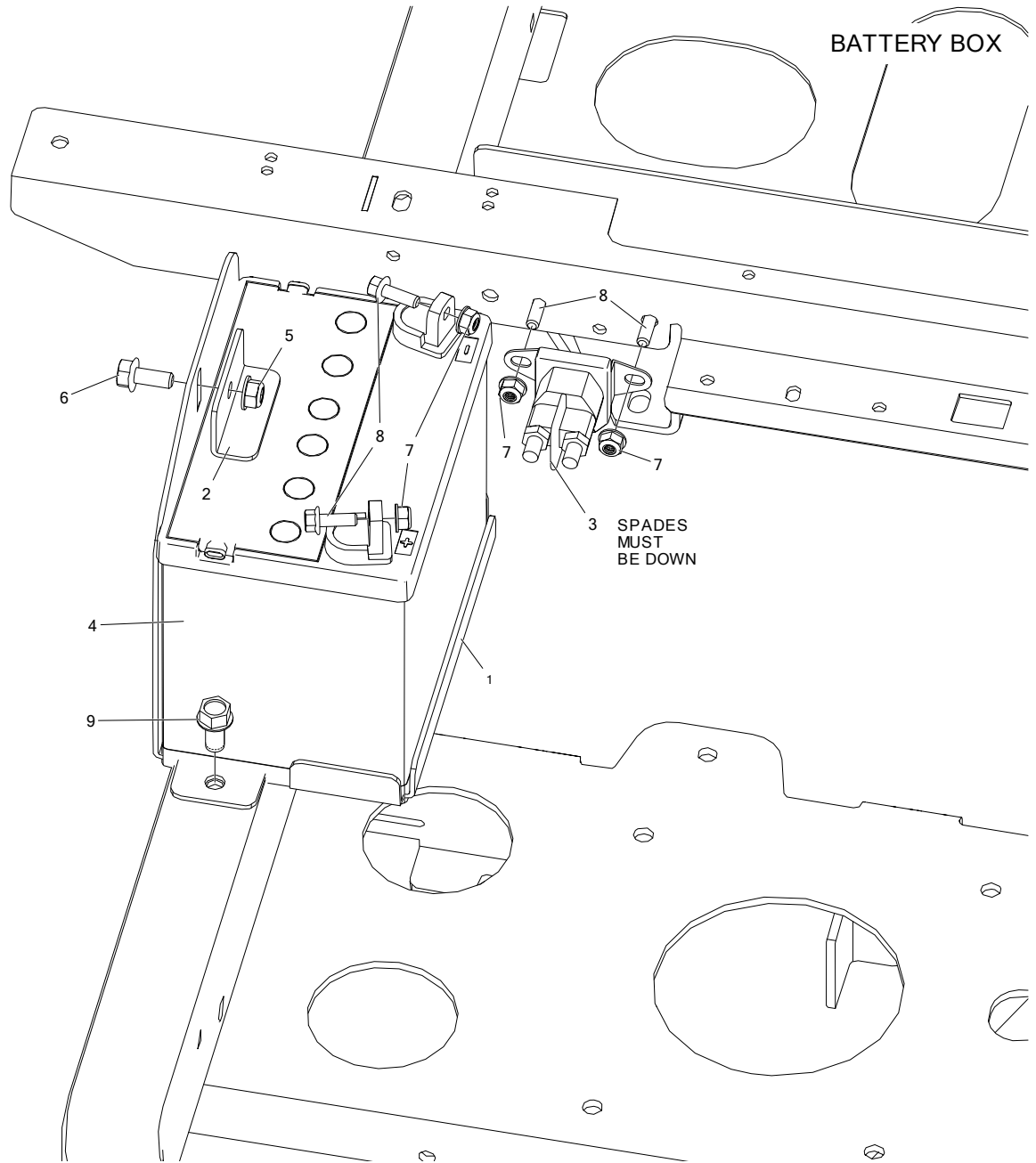


ITEM #	QTY	PART #	DESCRIPTION
1	1	714-345P	CRANK PLATE, PARK BRAKE
2	1	714-346P	HANDLE, PARK BRAKE
3	2	714-349P	BAR, LINK, PARK BRAKE
4	1	721-123A	FRONT PANEL W/ DECALS, JS
-	1	721-124A	FRONT PANEL W/ DECALS, TS
5	1	720-113P	BASE PLATE, SEAT MOUNT
6	3	F-1009-01	FLAT WASHER, 1/4", YZ
7	2	F-1009-02	WASHER, FLAT
8	8	F-2063	NUT, 5/16-18, NYLOC, FLANGED, YZ
9	8	F-2120	FHCS, 5/16-18 X 3/4", YZ, GR5
10	3	F-2132	NUT, 1/4-20 NYLOC, FLANGED, YZ
11	3	F-2162	FHCS, 1/4-20 X 3/4", YZ, GR5
12	8	F-2229	NUT, RIVET, 1/4-20, OPEN END, .027-.165 MAT'L THK
13	1	H-2934	PIVOT, BRAKE CRANK
14	1	H-2935	PLATE, BRAKE HANDLE
15	1	P-12557	DECAL, "CAUTION FUEL"
16	1	P-13000	DECAL, MADE IN THE USA
17	1	P-13312	DECAL, LOGO, CHROME w/BLK, LG
18	1	P-13316	DECAL, CHALLENGER

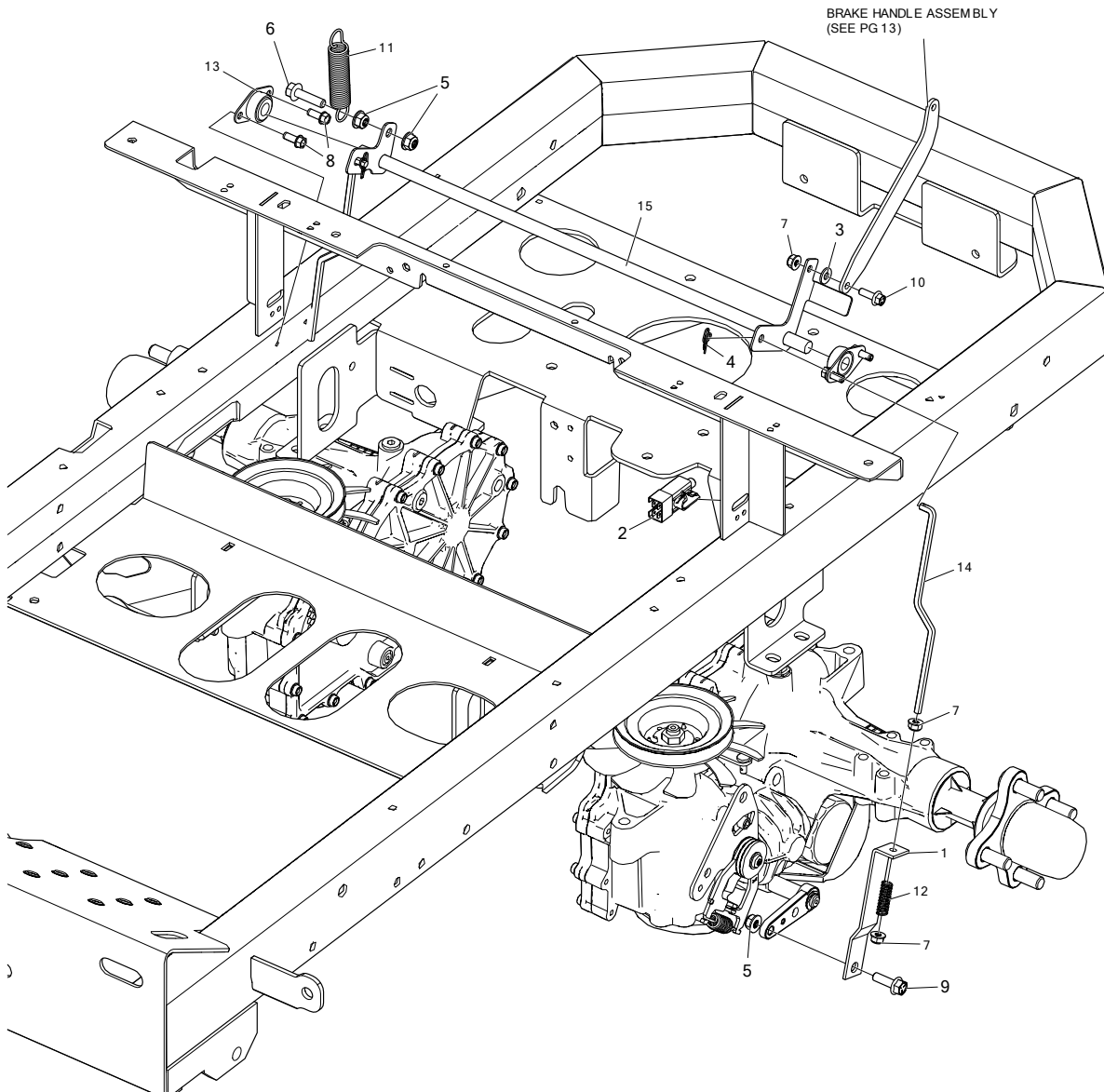


ITEM #	QTY	PART #	DESCRIPTION
1	2	707-073P	STAND-OFF, LINKAGE MOUNT
2	1	714-351P	BRACE, FRONT PANEL
3	1	720-119W	WLDT, FRAME
4	2	724-028P	DISCONNECT BRACKET
5	2	F-1011-03	NUT, 3/8-16, CENTERLOCK, YZ, GR5
6	3	F-1009-01	FLAT WASHER, 1/4", YZ
7	2	F-1009-03	WASHER, FLAT, 3/8, YZ
8	1	F-2063	NUT, 5/16-18, NYLOC, FLANGED, YZ
9	1	F-2120	FHCS, 5/16-18 X 3/4", YZ, GR5
10	2	F-2126	FHCS, 3/8-16 X 2", YZ, GR5
11	3	F-2132	NUT, 1/4-20 NYLOC, FLANGED, YZ
12	1	F-2219	FHCS, 5/16-18 X 1", YZ, GR5
13	4	F-2151	NUT, 3/8-16 NYLOC, FLANGED, YZ
14	3	F-2162	FHCS, 1/4-20 X 3/4", YZ, GR5
15	4	F-2180	FHCS, 3/8-16 x 3", YZ, GR5
16	2	F-2219	HFCS, 3/8-16 X 3/4", CZ, THD FORMING
17	3	H-1920	SPRING, SEAT
18	1	H-1926	1/4" X 1" HANDLE GRIP
19	2	H-3039	WASHER, SPECIAL, 1/2" X 1-1/4" X 8 GA
20	2	F-1005-03	NUT, 3/8-16, CENTERLOCK, YZ, GR5

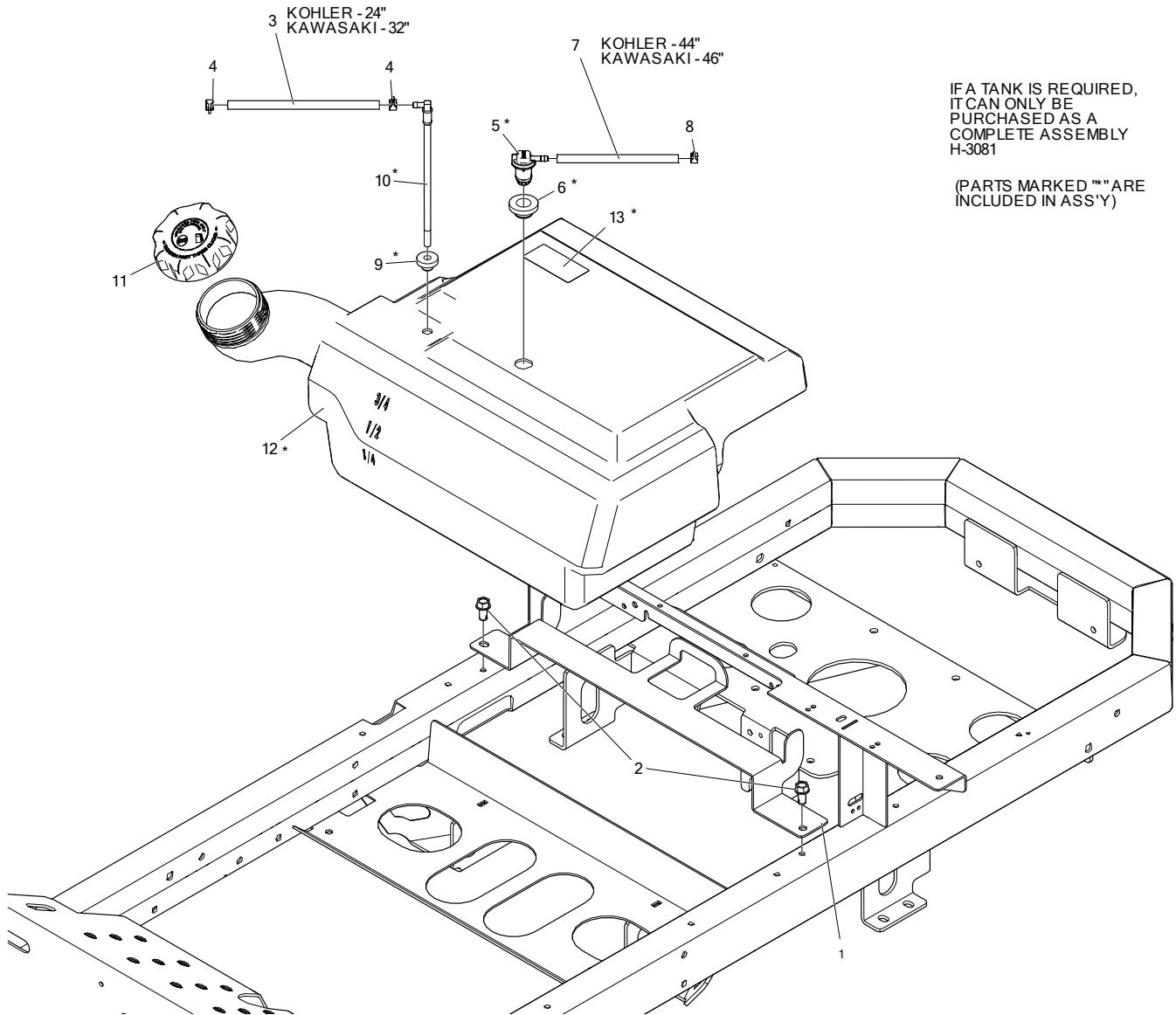
CHALLENGER
(D510)



ITEM #	QTY	PART #	DESCRIPTION
1	1	721-030P	BOX, BATTERY
2	1	721-031P	CLAMP, BATTERY
3	1	E-6054	SOLENOID 12VOLT
4	1	E-6659	BATTERY, YPS 35
5	1	F-2063	NUT, 5/16-18, NYLOC, FLANGED, YZ
6	1	F-2120	FHCS, 5/16-18 X 3/4", YZ, GR5
7	4	F-2132	NUT, 1/4-20 NYLOC, FLANGED, YZ
8	4	F-2162	FHCS, 1/4-20 X 3/4", YZ, GR5
9	2	F-2219	HFCS, 3/8-16 X 3/4", CZ, THD FORMING



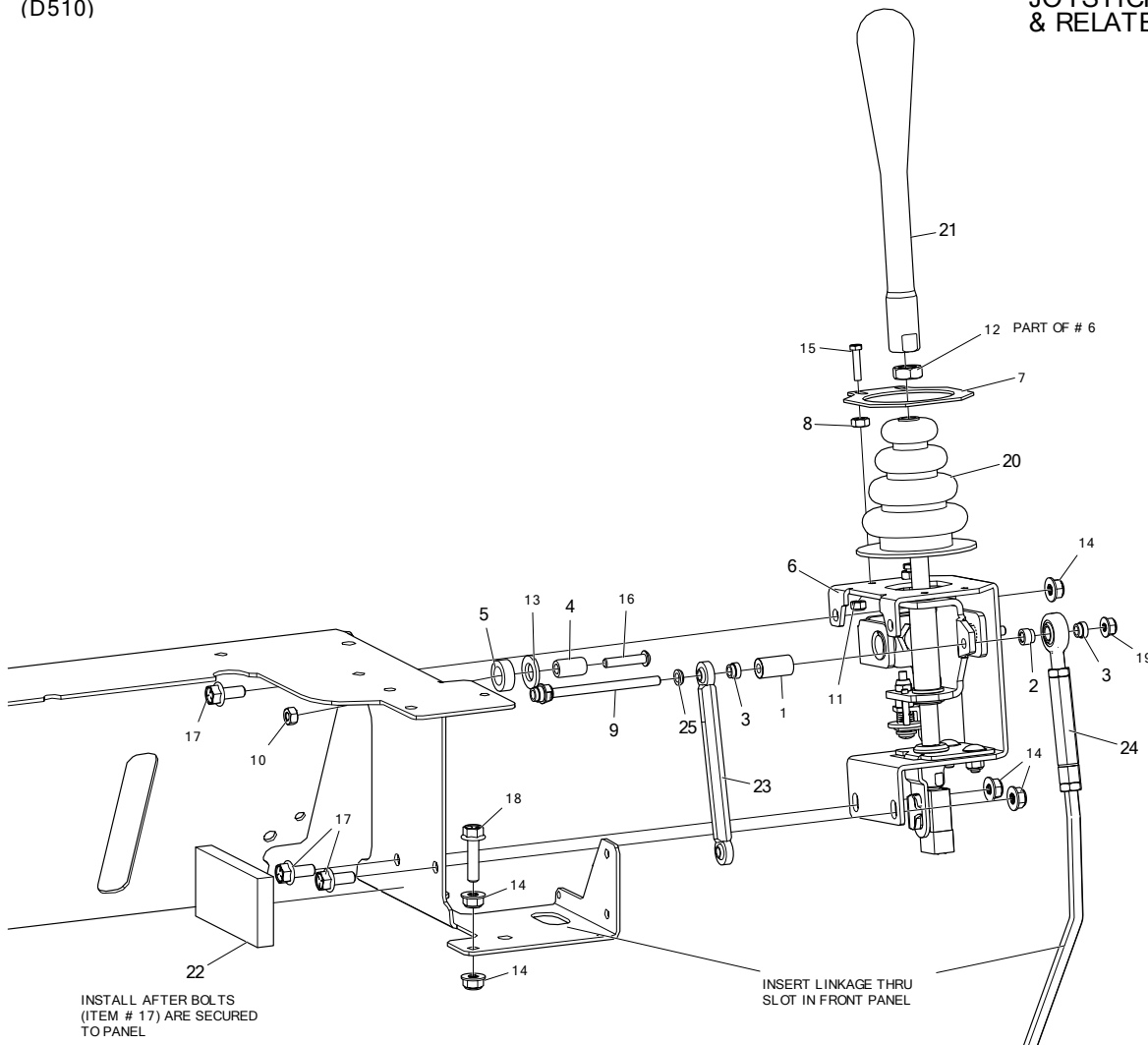
ITEM #	QTY	PART #	DESCRIPTION
1	2	659-159P	BRAKE LINK
2	1	E-6692	PLUNGER SWITCH, RAIL MOUNT
3	1	F-1009-01	FLAT WASHER, 1/4", YZ
4	2	F-1492	RUE RING, 5/16
5	4	F-2063	NUT, 5/16-18, NYLOC, FLANGED, YZ
6	1	F-2122	FHCS, 5/16-18 X 1-1/4", YZ, GR5, FULL THD
7	5	F-2132	NUT, 1/4-20 NYLOC, FLANGED, YZ
8	4	F-2134	HFCS, 1/4-20 X 0.625", YZ, SELF TAPPING
9	2	F-2148	FHCS, 5/16-18 X 1", YZ, GR5
10	1	F-2162	FHCS, 1/4-20 X 3/4", YZ, GR5
11	1	H-1635	SPRING, EXT, 3/4" OD X 4" OAL
12	2	H-1637	COMPRESSION SPRING, .045 X .420 X 1.25
13	2	H-2921	FLANGE BEARING-0.500"
14	2	H-2924	BRAKE LINK ROD
15	1	H-2953	WLDT, PARK BRAKE



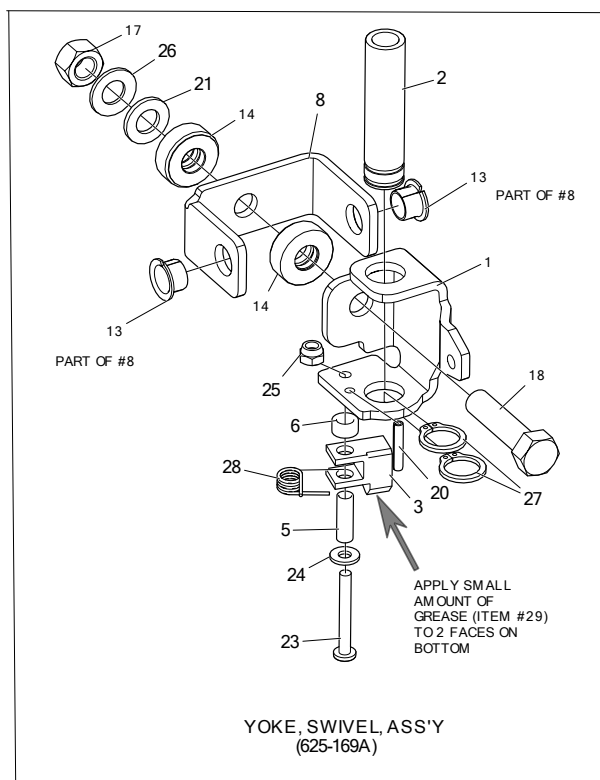
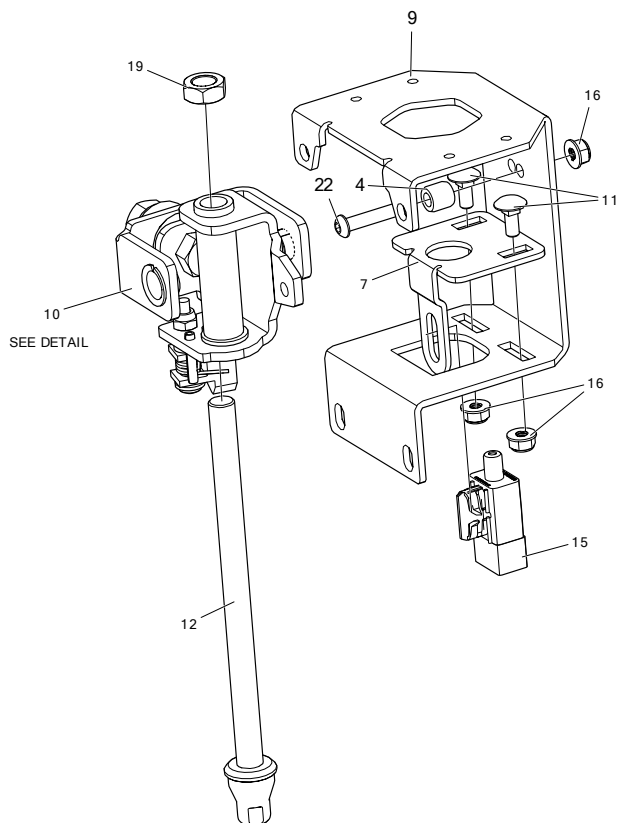
IF A TANK IS REQUIRED,
IT CAN ONLY BE
PURCHASED AS A
COMPLETE ASSEMBLY
H-3081

(PARTS MARKED "*" ARE
INCLUDED IN ASS'Y)

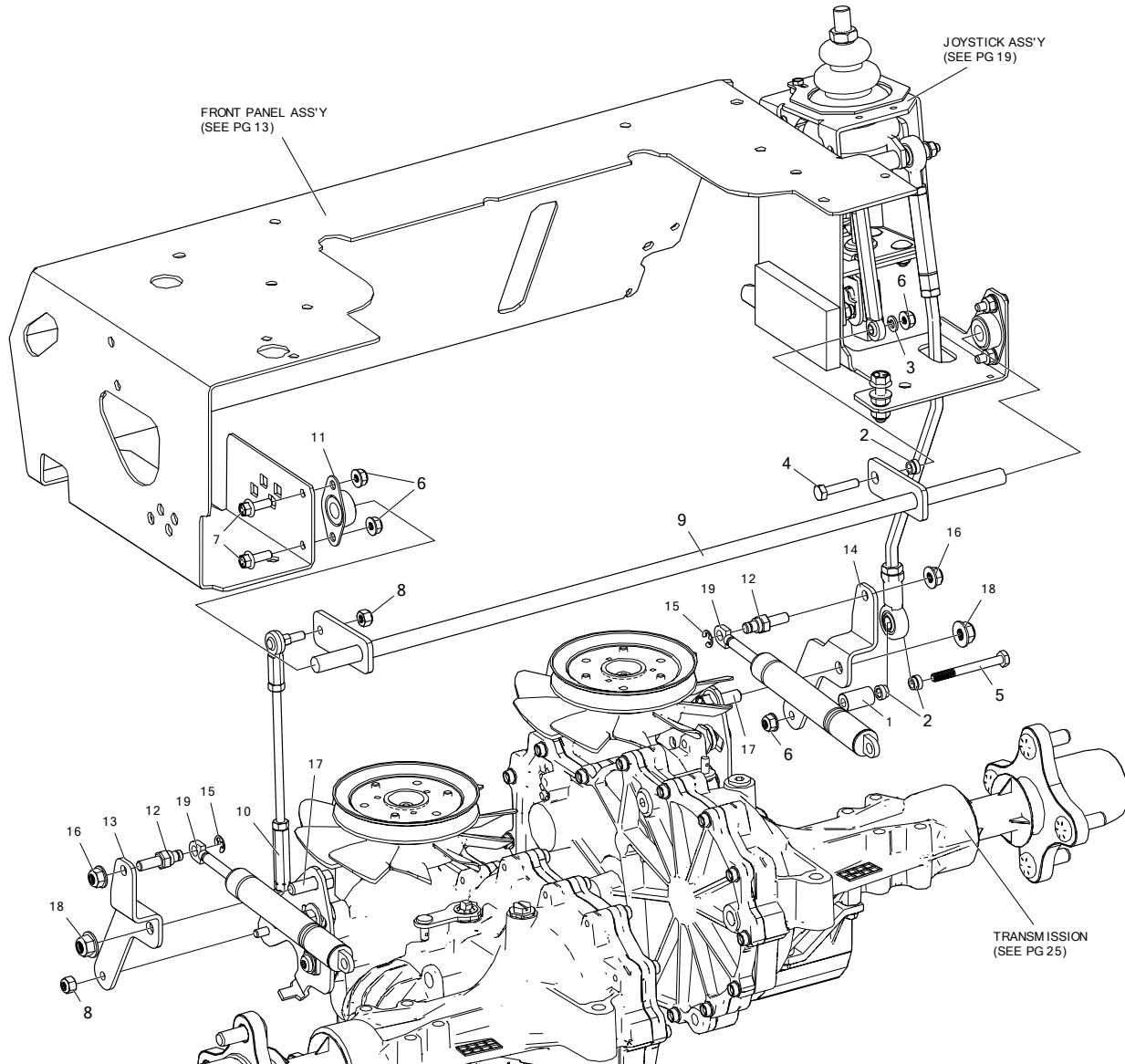
ITEM #	QTY	PART #	DESCRIPTION
1	1	721-019P	PLT, TANK SUPPORT
2	2	F-2219	HFCS, 3/8-16 X 3/4", CZ, THD FORMING
3	1	H-1648	FUEL LINE, 1/2" O.D., 1/4" I.D.
4	2	H-1687	1/2 O.D. HOSE SPRING CLAMP
5	1	H-2831	KELCH REMOTE VENT
6	1	H-2679	KELCH REMOTE VENT GROMMET
7	1	H-2697	HOSE, FUEL LINE .188 ID X .406 OD
8	1	H-2698	CLAMP, .406 OD FUEL LINE
9	1	H-2741	GROMMET, PICK UP TUBE (DAPCO #12240)
10	1	H-2742	PICK UP TUBE (DAPCO INDUSTRIES)
11	1	H-2743	RATCHET CAP, W/TETHER, 3.5 DIA
12	1	H-3081	FUEL TANK
13	1	P-12922	VENDOR SUPPLIED EPA CERT. LABEL



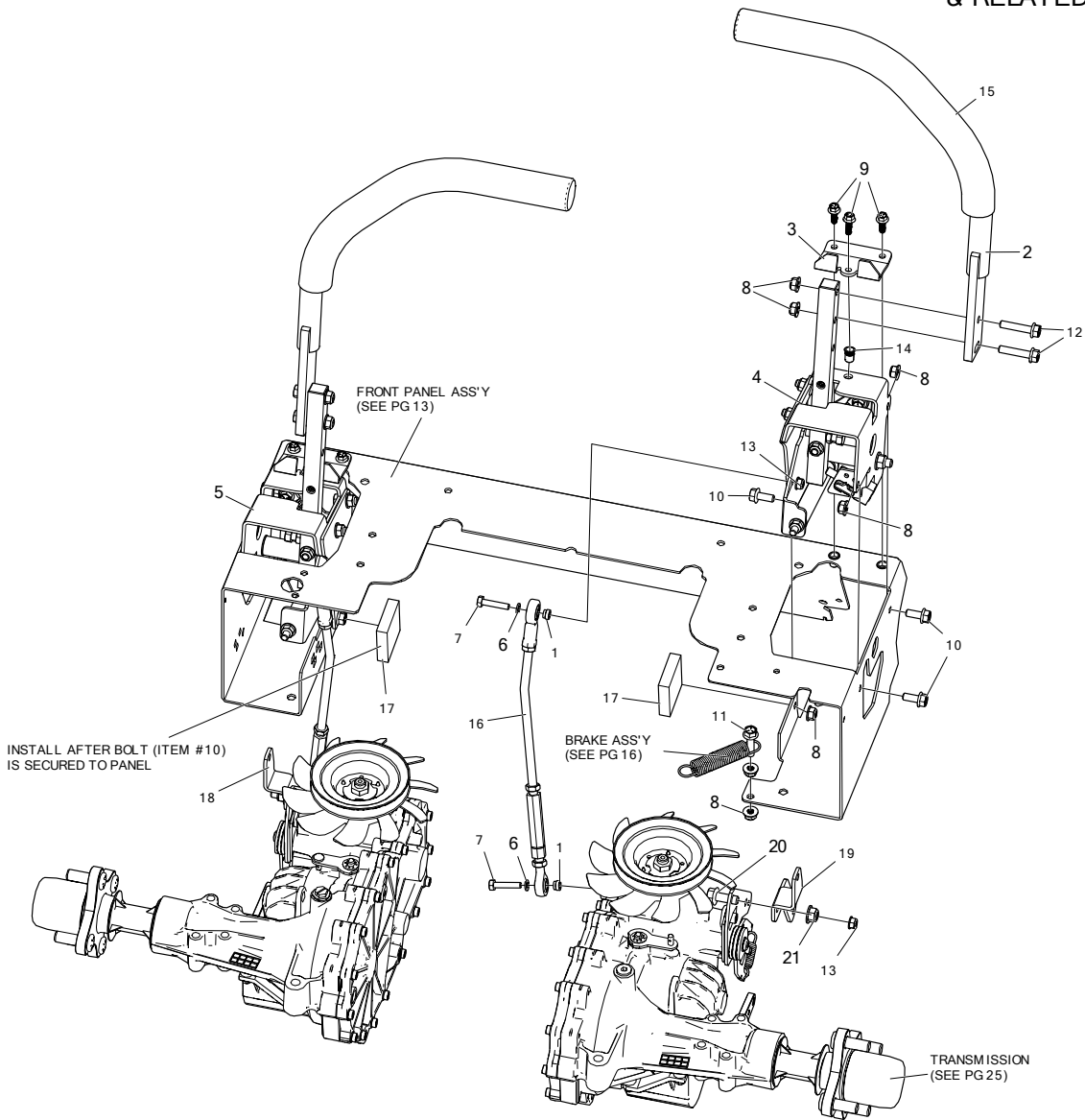
ITEM #	QTY	PART #	DESCRIPTION
1	1	625-100P	TUBE, PIVOT, JOYSTICK
2	1	625-107P	BUSHING, .375 ROD END
3	2	625-116P	BUSHING, .375 ROD END, SHORT
4	1	625-119P	PIN, PIVOT, JS, LONG
5	1	625-126P	SPACER, JOYSTICK PANEL
6	1	714-455A	RH JOYSTICK ASSEMBLY
7	1	720-038P	PLT, BOOT RETAINER
8	2	F-1011-01	NUT, HEX, 1/4-20 UNC-2B YELLOW PLATED
9	1	F-1020-01	CAPSCREW, 1/4-20 X 3-1/2", YZ, GR5
10	1	F-1158	NUT, CENTERLOCK, 1/4-20, YZ, GR5
11	2	F-1448	LOCKNUT, 10-32 NYLOC YELLOW PLTD
12	1	F-1462	JAM NUT, 1/2-20, RH, YZ
13	1	F-1521	WASHER, 1/2" CUSTOM, YZ
14	5	F-2063	NUT, 5/16-18, NYLOC, FLANGED, YZ
15	2	F-2100	HHMS, 10-32 X 7/8", CZ
16	1	F-2103	SHCS, BUTTON HD, 1/4-20 X 1-1/4", CZ
17	3	F-2120	FHCS, 5/16-18 X 3/4", YZ, GR5
18	1	F-2122	FHCS, 5/16-18 X 1-1/4", YZ, GR5, FULL THD
19	1	F-2132	NUT, 1/4-20 NYLOC, FLANGED, YZ
20	1	H-1991	JOY STICK BOOT
21	1	H-2964	HANDLE, JOYSTICK
22	1	H-2990	WEATHER-RESISTANT NEOPRENE FOAM (ADHESIVE) 1/2"
23	1	H-3025	LINKAGE: UPPER: 1/4-28 X 5
24	1	H-3198	LINKAGE ASSEMBLY, JS
25	1	H-1989	BUSHING BALL JOINT



ITEM #	QTY	PART #	DESCRIPTION
1	1	625-096P	YOKE, SWIVEL, JOYSTICK
2	1	625-099P	TUBE, GUIDE, CONTROL ROD
3	1	625-103P	TAB, CAM DETENT
4	1	625-106P	PIN, PIVOT, JS
5	1	625-124P	TUBE-SPACER, DETENT CAM
6	1	625-125P	SPACER, CAM DETENT
7	1	724-114P	JOYSTICK NEUTRAL PLATE
8	1	625-128A	PIVOT ASSEMBLY
9	1	724-113P	JOYSTICK HOUSING
10	1	625-169A	YOKE, SWIVEL ASSEMBLY
11	2	F-2155	BOLT, CARRIAGE, 1/4-20 X 5/8", YZ, GR5
12	1	709-169A	ROD ASSEMBLY, SHORT, 1/2"
13	2	D-3784	BUSHING, DU 1/2 DIA X 3/8 WIDE
14	2	D-3931	THRUST BEARING
15	1	E-6692	PLUNGER SWITCH, RAIL MOUNT
16	3	F-2132	NUT, FLANGED, 1/4-20 w/NYLOC, YZ
17	1	F-1005-05	NUT, 1/2-13, CENTERLOCK, YZ, GR5
18	1	F-1293	HHCS, 1/2-13 X 2", YZ, GR5
19	1	F-1462	JAM NUT, 1/2-20, RH, YZ
20	1	F-1503	PIN, SPIROL 3/16 DIA X 1 X .010 THK
21	1	F-1521	WASHER, 1/2" CUSTOM, YZ
22	1	F-2103	SHCS, BUTTON HD, 1/4-20 X 1", CZ
23	1	F-2135	SCREW, PANHEAD, PHILLIPS #12-24 X 1.75 CZ
24	1	F-2136	WASHER, FLAT, #12 PLAIN, CZ
25	1	F-2137	NUT, #12-24, NYLOCK
26	1	H-2704	SPRING, BELLEVILLE, .50 X 1 X .073
27	2	H-2705	RING, RETAINING, .75 EXT.
28	1	H-2710	SPRING, DETENT, JOYSTICK
29	1	C-6202	GREASE, CHEVRON RYKOTAC GREASE EP



ITEM #	QTY	PART #	DESCRIPTION
1	1	625-100P	TUBE, PIVOT, JOYSTICK
2	3	625-116P	BUSHING, .375 ROD END, SHORT
3	1	F-1019-01	WASHER, LOCK, 1/4, YZ
4	1	F-1539	HHCS, 1/4-20 X 1-1/4", YZ, GR5
5	1	F-1703	CAPSCREW, HEXHD 1/4-20 X 2-1/2"
6	6	F-2132	NUT, 1/4-20 NYLOC, FLANGED, YZ
7	4	F-2162	FHCS, 1/4-20 X 3/4", YZ, GR5
8	2	F-2202	NUT, 1/4-20, NYLOC, YZ
9	1	H-2954	WLDT, JS PIVOT SHAFT
10	1	H-3021	LINKAGE, CONTROL LOWER
11	2	H-3031	SIDE FLANGE BRG., 0.500, BRONZE
12	2	638-028P	DAMPER BOLT: 5/16-18 X 3/4
13	1	721-121P	BRACKET, DAMPER OFFSET, LH
14	1	721-122P	BRACKET, DAMPER OFFSET, RH
15	2	F-1610	RETAINING RING
16	2	F-2063	NUT, 5/16-18, NYLOC, FLANGED, YZ
17	2	F-2141	FHCS, 3/8-16 X 1", YZ, GR5
18	2	F-2151	NUT, 3/8-16 NYLOC, FLANGED, YZ
19	2	H-2896	DAMPER, NC300, JS

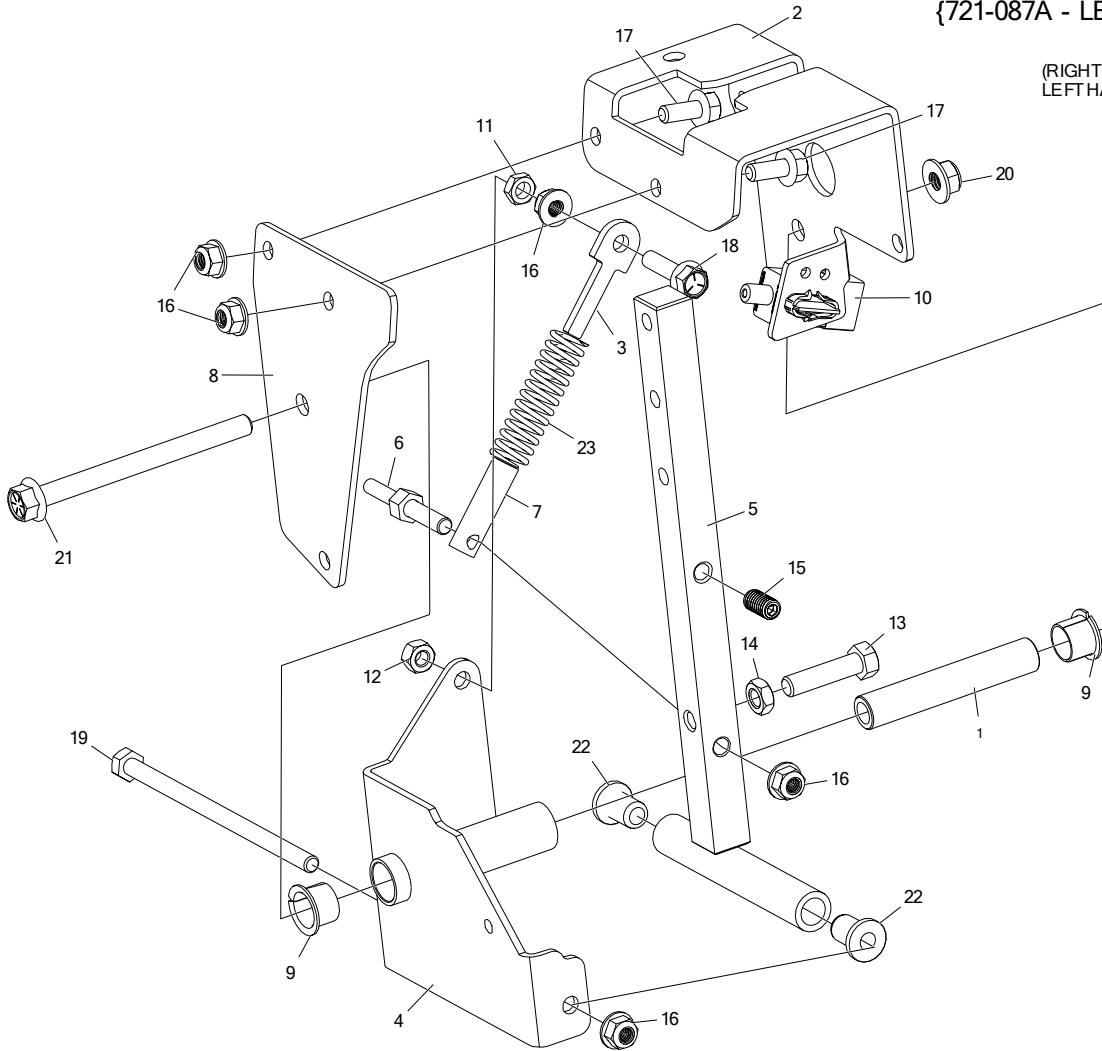


ITEM #	QTY	PART #	DESCRIPTION
1	4	625-116P	BUSHING, .375 ROD END, SHORT
2	2	659-375W	WLDT, DUAL LEVER
3	2	720-053P	PLT, TWIN LEVER SUPPORT
4	1	721-086A	ASSY, TS CONTROL, R
5	1	721-087A	ASSY, TS CONTROL, L
6	4	F-1019-01	WASHER, LOCK, 1/4, YZ
7	4	F-1716	CAPSCREW HX 1/4-20 X 1-1/2 GR5, YZ
8	12	F-2063	NUT, 5/16-18, NYLOC, FLANGED, YZ
9	6	F-2119	FHCS, 1/4-20 X 3/4", YZ, GR5, LOCK PATCH
10	6	F-2120	FHCS, 5/16-18 X 3/4", YZ, GR5
11	1	F-2122	FHCS, 5/16-18 X 1-1/4", YZ, GR5, FULL THD
12	4	F-2129	FHCS, 5/16-18 X 1-1/2", YZ, GR5
13	4	F-2132	NUT, 1/4-20 NYLOC, FLANGED, YZ
14	2	F-2229	NUT, RIVET, 1/4-20, OPEN END, .027-.165 MAT'L THK
15	2	H-2739	GRIP, 15", CLOSED END
16	2	H-3037	LINKAGE, OUTER, JS
17	2	H-2990	WEATHER-RESISTANT NEOPRENE FOAM (ADHESIVE) 1/2"
18	1	721-121P	BRACKET, DAMPER OFFSET, LH
19	1	721-122P	BRACKET, DAMPER OFFSET, RH
20	2	F-2141	FHCS, 3/8-16 X 1", YZ, GR5
21	2	F-2151	NUT, 3/8-16 NYLOC, FLANGED

CHALLENGER
(D510)

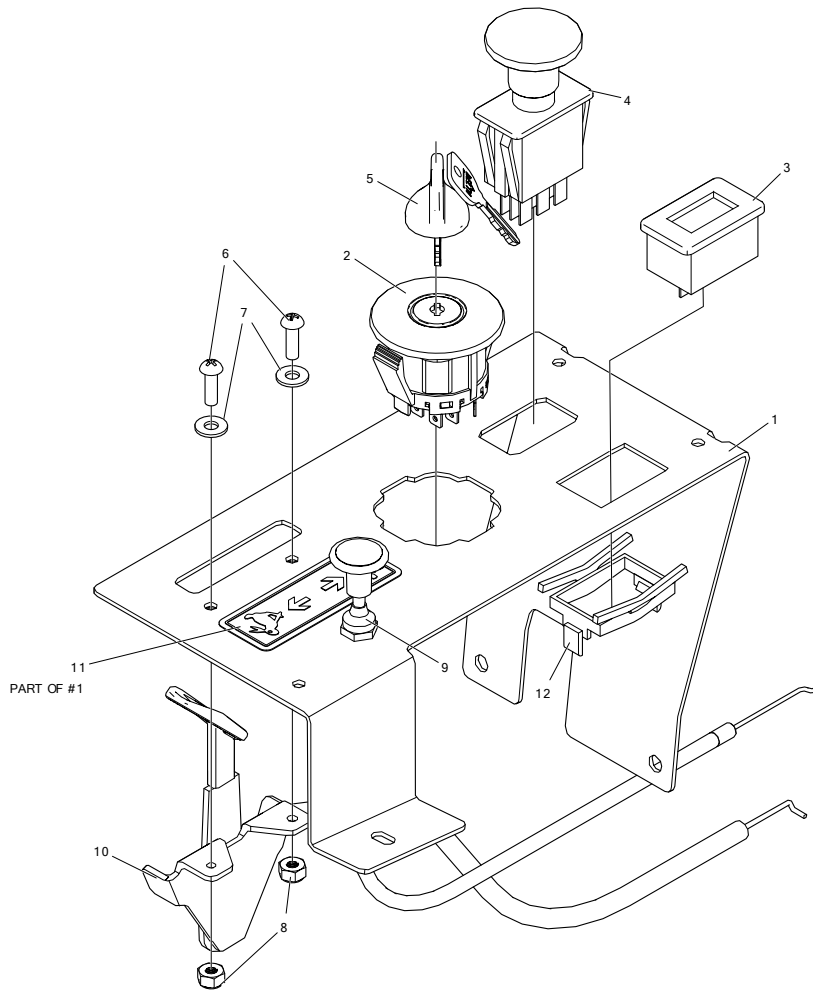
TWIN LEVER ASSEMBLY
{721-086A - RIGHT SIDE}
{721-087A - LEFT SIDE}

(RIGHT HAND SHOWN,
LEFT HAND OPPOSITE)



ITEM #	QTY	PART #	DESCRIPTION
1	1	714-074P	PIN, PIVOT, TWIN LEVER
2	1	714-266P	HOUSING, TWIN LEVER, R
-	1	714-269P	HOUSING, TWIN LEVER, L
3	1	721-006P	SPRING GUIDE, TS
4	1	721-088W	WLDT, TWIN LEVER PIVOT, R
-	1	721-089W	PIVOT WELDMENT OVER-CENTER, L
5	1	721-090W	WLDT, HANDLE BASE
6	1	721-093P	PIN, SPRING OVER-CENTER
7	1	721-094P	SPRING GUIDE, TS OVER-CENTER
8	1	721-103P	PLT, TS HOUSING, R
-	1	721-104P	PLT, TS HOUSING, L
9	2	D-3730	BUSHING, DU 5/8 DIA X 1/2 LG
10	1	E-6692	PLUNGER SWITCH, RAIL MOUNT
11	1	F-1011-02	NUT, HEX 5/16-18
12	1	F-1125	NUT, CENTERLOCK, 5/16-18, YZ, GR5
13	1	F-1306	HHCS, 3/8-16 X 1-1/2", FULL THRD, CZ, GR5
14	1	F-1486	NUT, JAM, 3/8-16, YZ
15	1	F-1903	SETSCREW, 3/8-16 X 3/4" W/ NYLON
16	5	F-2063	NUT, 5/16-18, NYLOC, FLANGED, YZ
17	2	F-2120	FHCS, 5/16-18 X 3/4", YZ, GR5
18	1	F-2122	FHCS, 5/16-18 X 1-1/4", YZ, GR5, FULL THD
19	1	F-2145	HHCS, 5/16-18 X 6", YZ, GR8
20	1	F-2151	NUT, 3/8-16 NYLOC, FLANGED, YZ
21	1	F-2160	FHCS, 3/8-16 X 4-1/2", YZ, GR5
22	2	H-3009	BUSHING, 0.313, NYLON, FLANGED
23	1	H-3079	SPRING, TS OVER CENTER

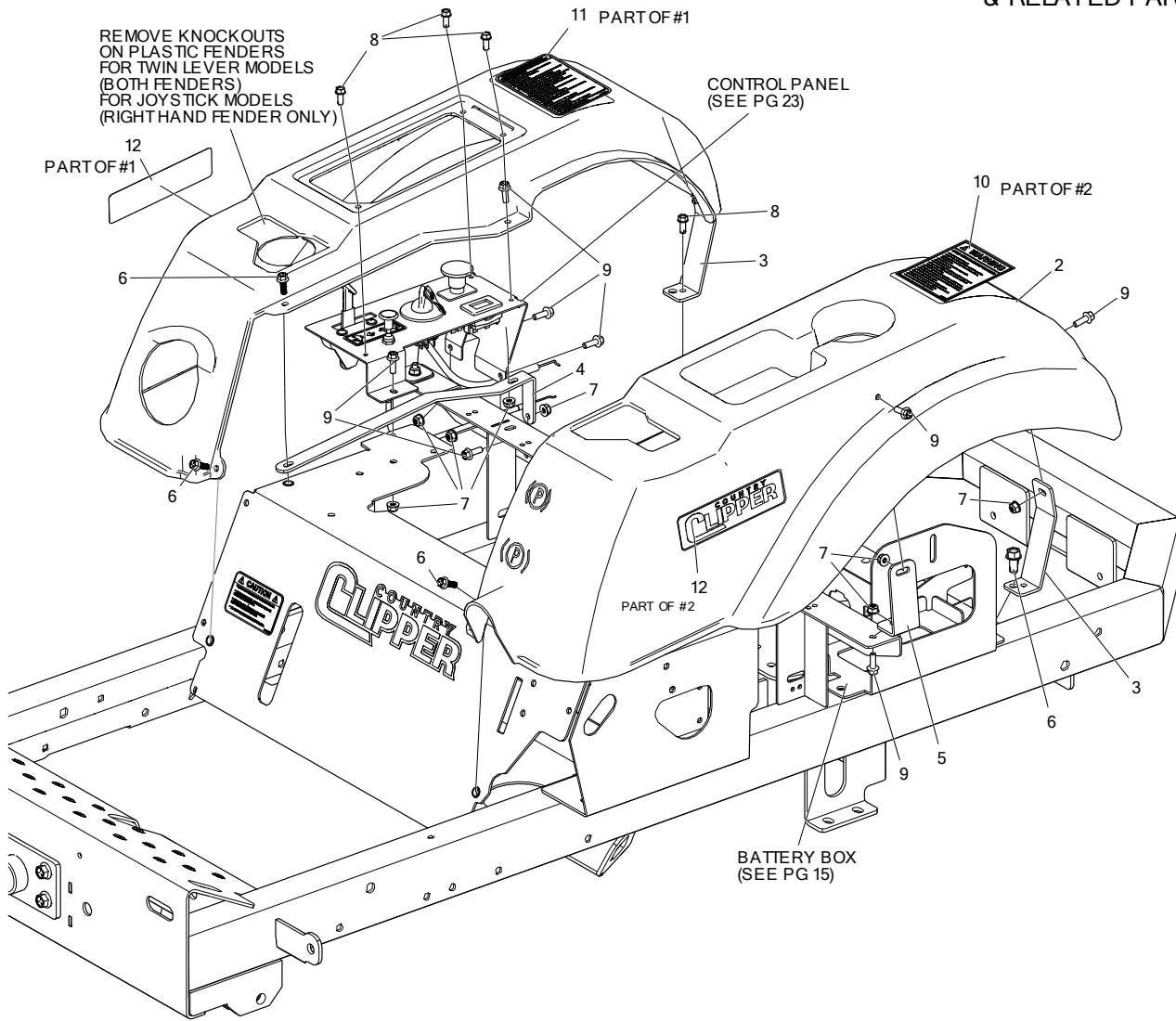
721-118A - KAWASAKI
721-120A - KOHLER



ITEM #	QTY	PART #	DESCRIPTION
1	2	721-125A	CONTROL PANEL W/ DECAL
2	1	E-6717	IGNITION SWITCH, 4 POSITION
3	1	E-5878	HOUR METER
4	1	E-6403	PTO SWITCH
5	1	E-6718	KEY ASSEMBLY
6	2	F-1022-26	MACHINE SCREW, RND, 10-32 X 5/8, SLOTTED, CZ
7	2	F-1071	WASHER, FLAT #10, ZINC PLATED #10 SAE FLAT WASHER
8	2	F-1448	LOCKNUT, 10-32 NYLOC YELLOW PLTD
9	1	H-2287	CHOKE CABLE, 43-1/2"
10	1	H-2610	THROTTLE CABLE, 38", KAWASAKI
-	1	H-2611	THROTTLE CABLE, 57", KOHLER
11	1	P-13481	DECAL, THROTTLE CONTROL
12	1	E-6369	RETAINER CLIP

CHALLENGER
(D510)

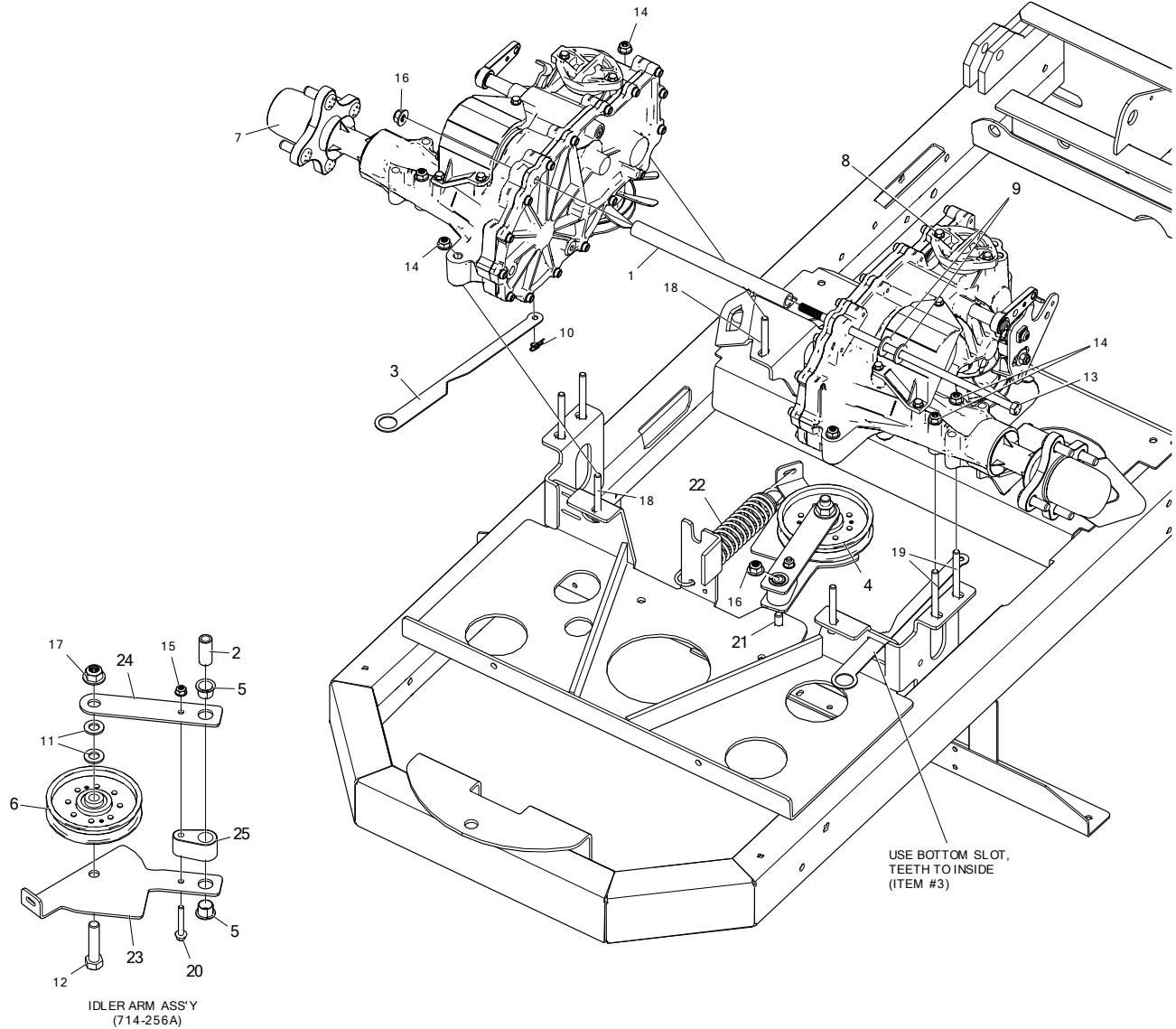
FENDER ASSEMBLY
& RELATED PARTS



ITEM #	QTY	PART #	DESCRIPTION
1	1	714-037A	COVER, WHEEL FENDER, RH
2	1	714-038A	COVER, WHEEL FENDER, LH
3	2	721-046P	BRACKET, FENDER, REAR
4	2	721-047P	BRACKET, FENDER
5	2	721-048P	BRACKET, FENDER, MID
6	5	F-2119	FHCS, 1/4-20 X 3/4", YZ, GR5, LOCK PATCH
7	12	F-2132	NUT, 1/4-20 NYLOC, FLANGED, YZ
8	4	F-2134	HFCS, 1/4-20 X 0.625", YZ, SELF TAPPING, RH
9	12	F-2162	FHCS, 1/4-20 X 3/4", YZ, GR5
10	1	P-11370	DECAL, WARNING
11	1	P-13188	DECAL, INSTRUCTIONS
12	2	P-13366	DECAL, C/C LOGO, SM, VINYL

TRANSMISSION ASSEMBLY
& RELATED PARTS

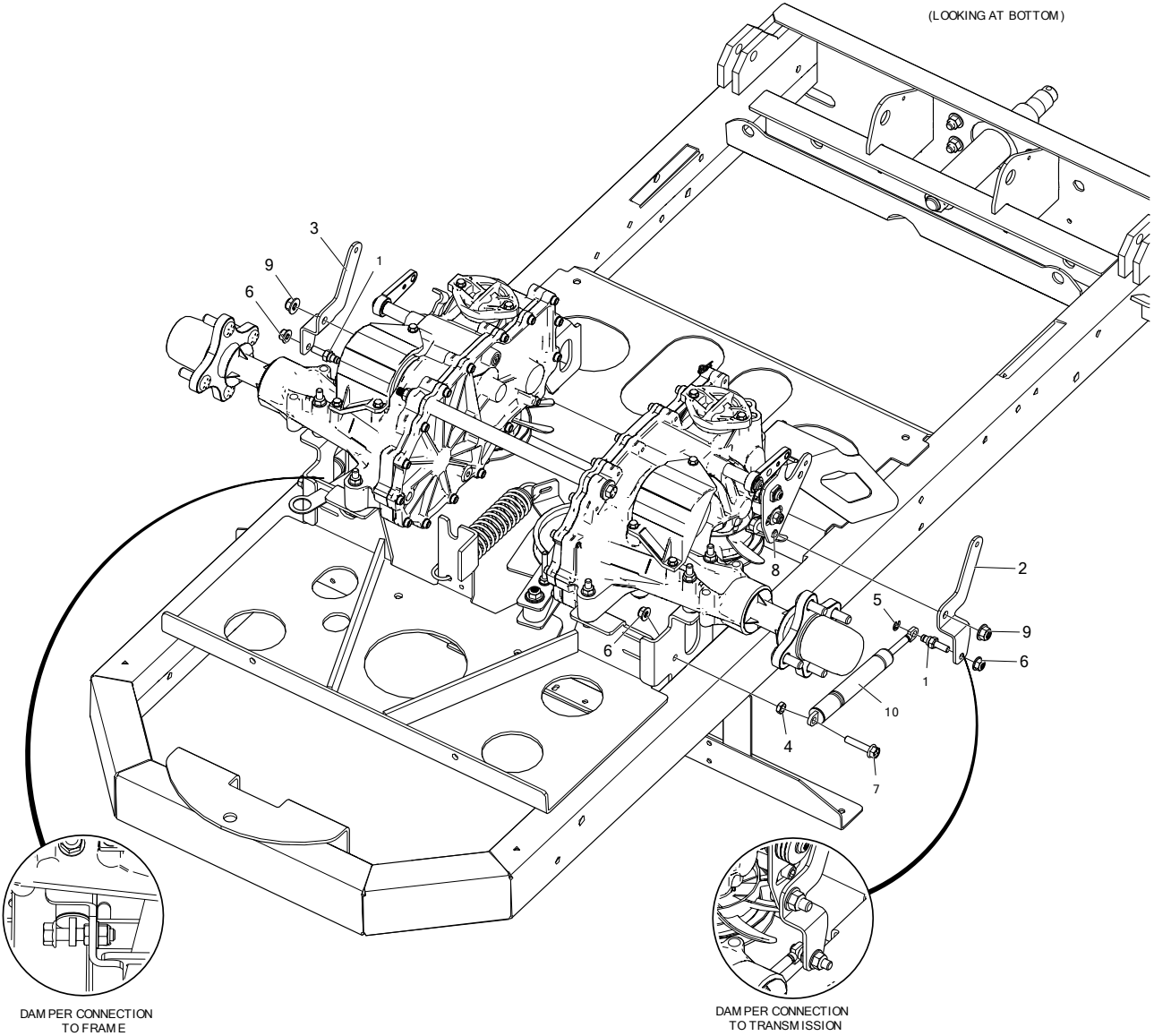
(LOOKING AT BOTTOM)



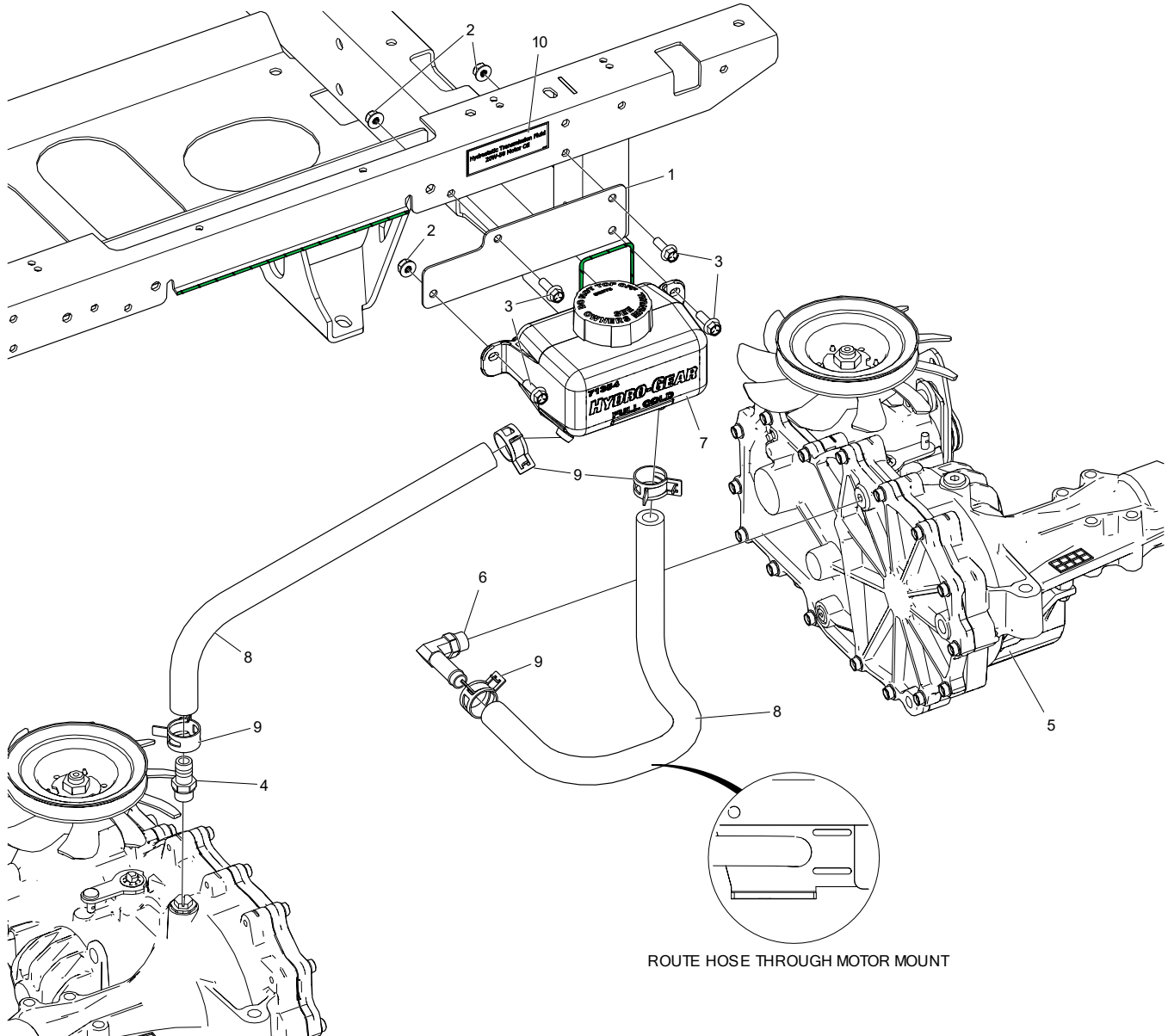
ITEM #	QTY	PART #	DESCRIPTION
1	1	659-173P	HYDRO BRACE ZT2800
2	1	714-058P	PIN, IDLER PIVOT
3	2	714-454P	TAB, DUMP VALVE
4	1	714-256A	ASS'Y, IDLER ARM
5	2	D-3730	BUSHING, DU 5/8 DIA X 1/2 LG
6	1	D-3924	PULLEY, FLAT IDLER, 4.25 OD, NTN, DBL INSERT
7	1	D-3992-01	TRANSAXLE, ZT-3400, RH
8	1	D-3992-02	TRANSAXLE, ZT-3400, LH
9	2	F-1009-03	WASHER, FLAT, 3/8, YZ
10	2	F-1492	RUE RING, 5/16
11	2	F-1521	WASHER, 1/2" CUSTOM, YZ
12	1	F-1664	HHCS, 1/2-13 X 2-1/4", YZ, GR5
13	1	F-2007	HHCS 3/8-16 X 12.50 GR5 Z&Y

ITEM #	QTY	PART #	DESCRIPTION
14	8	F-2063	NUT, 5/16-18, NYLOC, FLANGED, YZ
15	1	F-2132	NUT, 1/4-20 NYLOC, FLANGED, YZ
16	2	F-2151	NUT, 3/8-16 NYLOC, FLANGED, YZ
17	1	F-2152	NUT, 1/2-13 NYLOC, FLANGED, YZ
18	4	F-2177	FHCS, 5/16-18 X 2-1/2, YZ, GR5
19	4	F-2178	FHCS, 5/16-18 X 3", YZ, GR5
20	1	F-2216	FHCS, 1/4-20 X 1-3/4, YZ, GR5
21	1	F-2218	FHCS, 3/8-16 X 2-1/4", YZ, GR5
22	1	H-2907	SPRING, 5.43 X 1-1/2", TAPERED ENDS
23	1	H-2942	PLT, IDLER ARM, TOP
24	1	H-2943	PLT, IDLER ARM, BOTTOM
25	1	H-2962	SPACER, IDLER

(LOOKING AT BOTTOM)

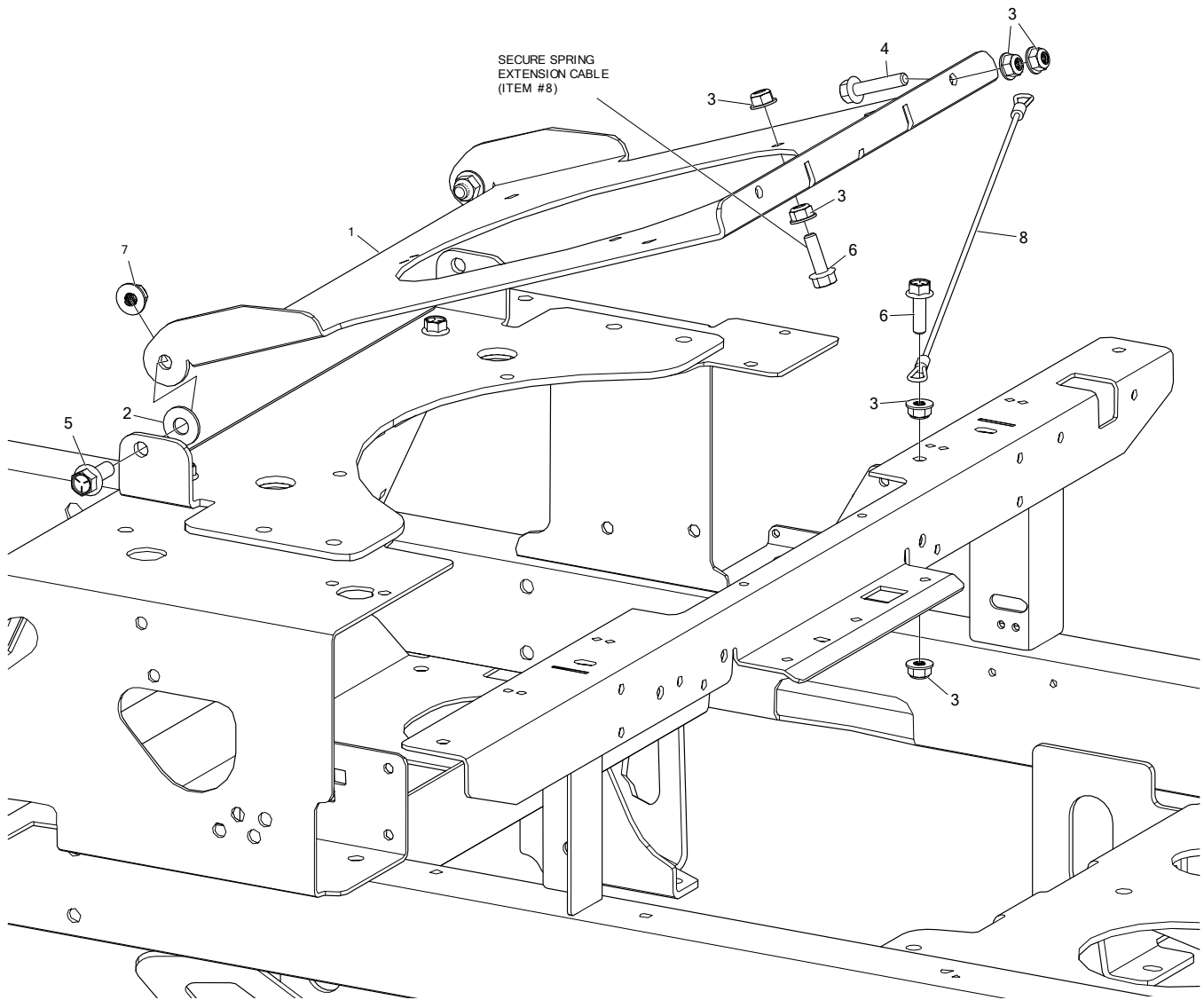


ITEM #	QTY	PART #	DESCRIPTION
1	2	638-028P	DAMPER BOLT: 5/16-18 X 3/4
2	1	721-121P	BRACKET, DAMPER OFFSET, LH
3	1	721-122P	BRACKET, DAMPER OFFSET, RH
4	2	F-1011-02	NUT, HEX 5/16-18
5	2	F-1610	RETAINING RING
6	4	F-2063	NUT, 5/16-18, NYLOC, FLANGED, YZ
7	2	F-2129	FHCS, 5/16-18 X 1-1/2", YZ, GR5
8	2	F-2141	FHCS, 3/8-16 X 1", YZ, GR5
9	2	F-2151	NUT, 3/8-16 NYLOC, FLANGED, YZ
10	2	H-2896	DAMPER, NC300, JS

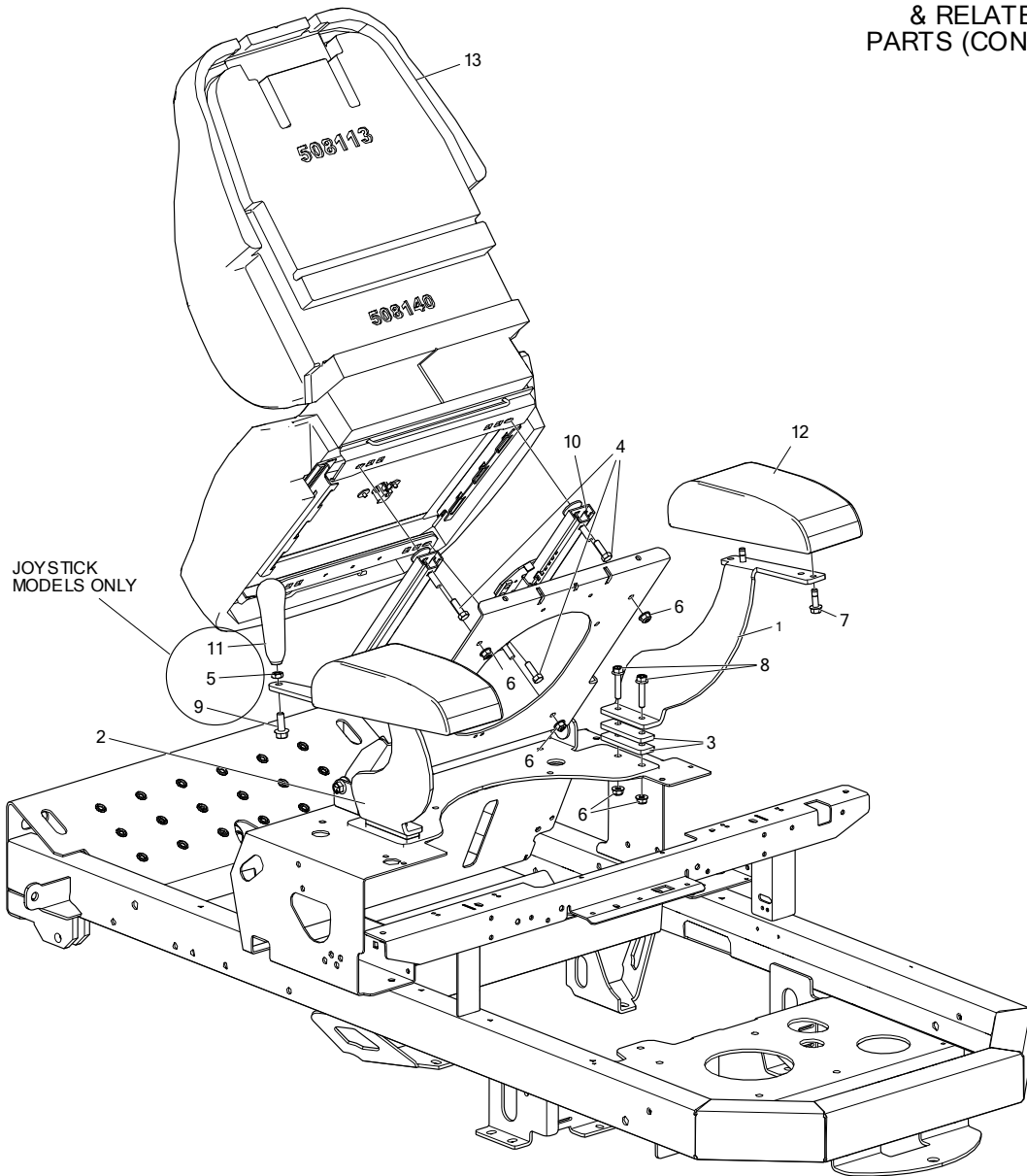


ROUTE HOSE THROUGH MOTOR MOUNT

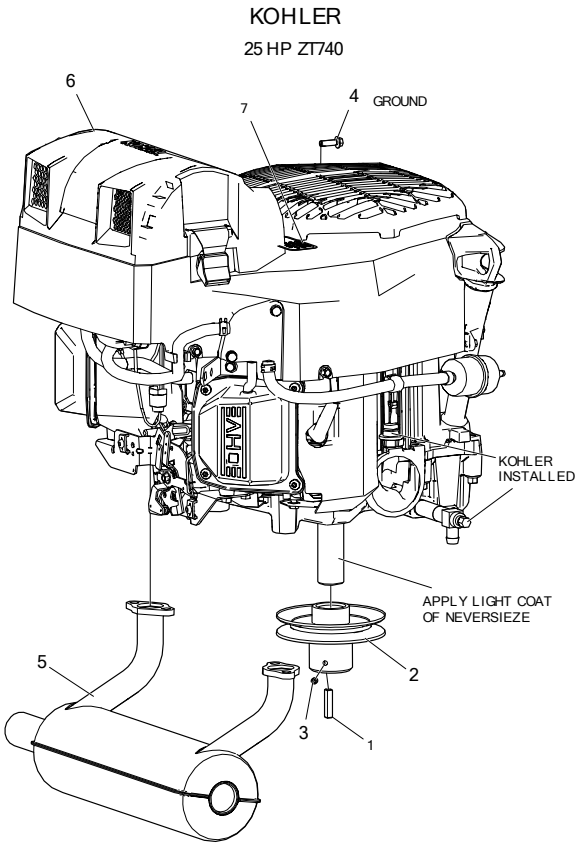
ITEM #	QTY	PART #	DESCRIPTION
1	1	721-029P	PLT, TANK MOUNT
2	4	F-2132	NUT, 1/4-20 NYLOC, FLANGED, YZ
3	4	F-2162	FHCS, 1/4-20 X 3/4", YZ, GR5
4	1	H-2517	VENT TUBE ADAPTER
5	2	H-2567	TRANSAXLE OIL FILTER
6	1	H-2762	VENT TUBE ADAPTER
7	1	H-3033	HYDRO TANK ASSEMBLY
8	2	H-3084	HOSE, 1/2" DIA X 16-1/2"
9	4	H-3089	HOSE CLAMP, 0.78 HOSE O.D.
-	4	H-3155	HOSE CLAMP, 0.88 HOSE O.D.
10	1	P-11052	DECAL, "TRANSMISSION OIL..."



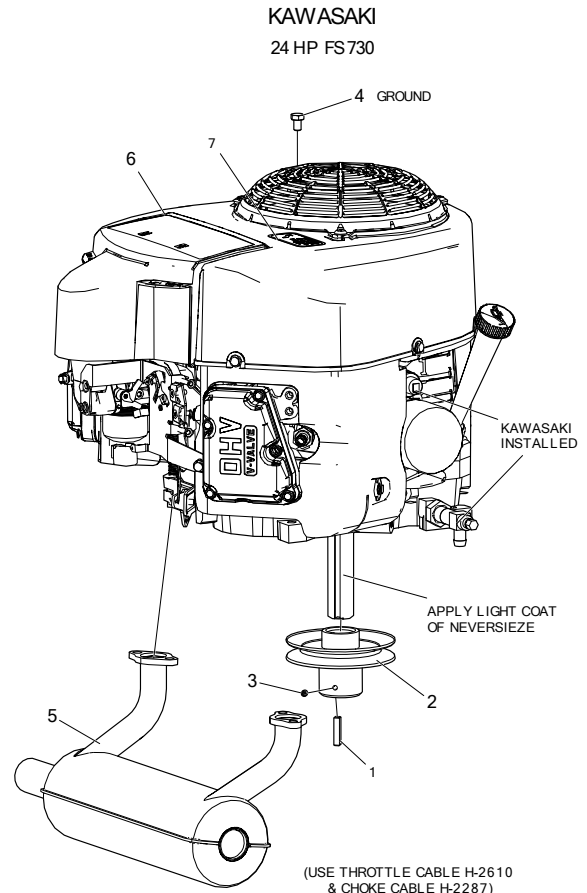
ITEM #	QTY	PART #	DESCRIPTION
1	1	721-013P	PLT, SEAT MOUNT, LOW
2	2	F-1009-03	WASHER, FLAT, 3/8, YZ
3	6	F-2063	NUT, 5/16-18, NYLOC, FLANGED, YZ
4	1	F-2129	FHCS, 5/16-18 X 1-1/2", YZ, GR5
5	2	F-2141	FHCS, 3/8-16 X 1", YZ, GR5
6	2	F-2148	FHCS, 5/16-18 X 1", YZ, GR5
7	2	F-2151	NUT, 3/8-16 NYLOC, FLANGED, YZ
8	1	H-2460	SPRING EXTENSION CABLE



ITEM #	QTY	PART #	DESCRIPTION
1	1	720-017P	MOUNT PLATE, ARM REST, R
2	1	720-018P	MOUNT PLT, ARM REST, L
-	1	720-071P	PLT, ARM REST, LH, JS
3	4	721-061P	PLATE, SPACER
4	4	F-1015-15	HHCS, 5/16-18 X 1", YZ, GR5
5	1	F-1486	NUT, JAM, 3/8-16, YZ
6	8	F-2063	NUT, 5/16-18, NYLOC, FLANGED, YZ
7	4	F-2121	FHCS, 5/16-18 X 1", LOCK PATCH, YZ, GR5
8	4	F-2129	FHCS, 5/16-18 X 1-1/2", YZ, GR5
9	1	F-2141	FHCS, 3/8-16 X 1", YZ, GR5
10	1	H-2760	TRACK KIT, HD, 6" TRAVEL
11	1	H-2764	HANDLE, JOYSTICK
12	2	H-2799	PAD, ARM REST
13	1	H-3087	SEAT ASSY, w/N.C. SWITCH, 1211
-	1	H-3214	SEAT BACK COVER FOR H-3087



(USE THROTTLE CABLE H-2611
& CHOKE CABLE H-2287)

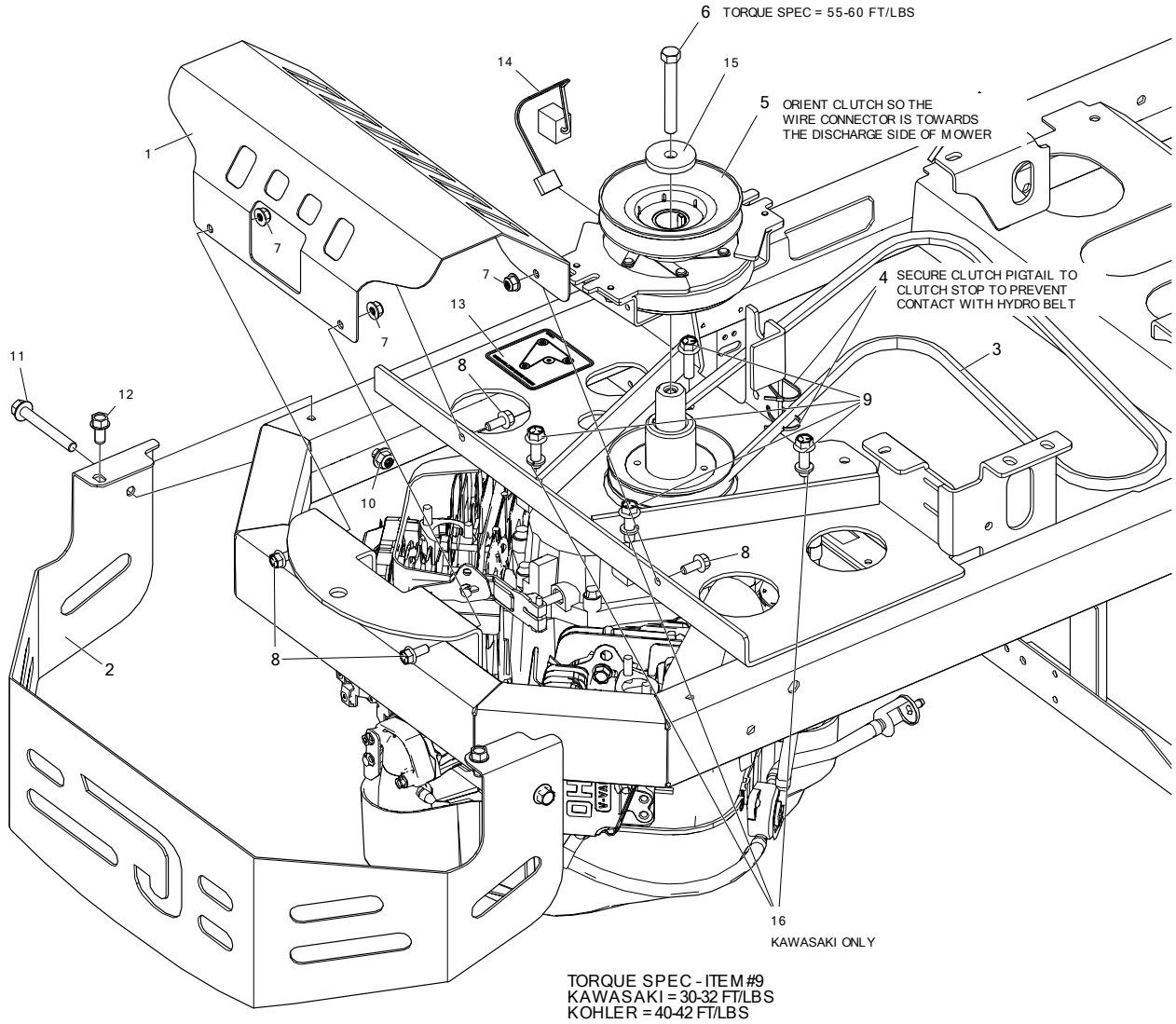


(USE THROTTLE CABLE H-2610
& CHOKE CABLE H-2287)

ITEM #	QTY	PART #	DESCRIPTION
1	1	621-113P	SQUARE KEY 1/4 X 1/4 X 1-1/4
2	1	D-3974	MOTOR, PULLEY, 4.51 W/ 1-1/8" SHAFT
3	1	F-1228	SET SCREW, SOCKET, 1/4-20 X 1/4", W/NYLOC
4	1	F-2049	M6-1 X 20 H.F. FORM SCREW
5	1	H-3034	MUFFLER, KOHLER ZT740
6	1	M-5418	ENGINE, KOH, 25HP ZT740, 3400RPM
7	1	P-10077-11	DECAL, "PERIODIACALLY CLEAN"

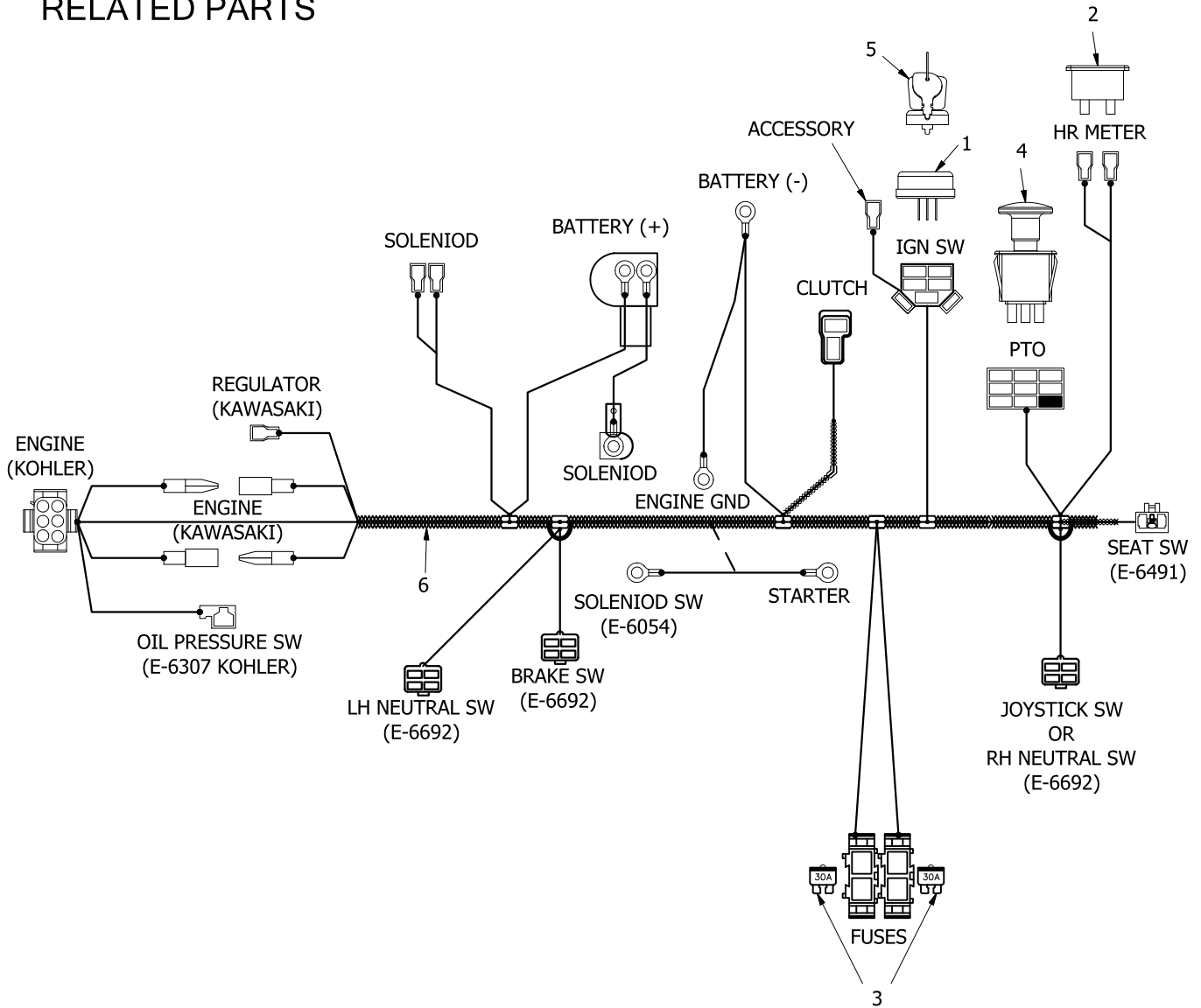
ITEM #	QTY	PART #	DESCRIPTION
1	1	621-113P	SQUARE KEY 1/4 X 1/4 X 1-1/4
2	1	D-3974	MOTOR, PULLEY, 4.51 W/ 1-1/8" SHAFT
3	1	F-1228	SET SCREW, SOCKET, 1/4-20 X 1/4", W/NYLOC
4	1	F-2243	HHCS, M8-1.25 X 12, YZ, GR8
5	1	H-3020	MUFFLER, KAWASAKI FR730
6	1	M-5420	ENGINE, KAW, 24HP FS730, 3400RPM
7	1	P-10077-11	DECAL, "PERIODIACALLY CLEAN"

(LOOKING AT BOTTOM)



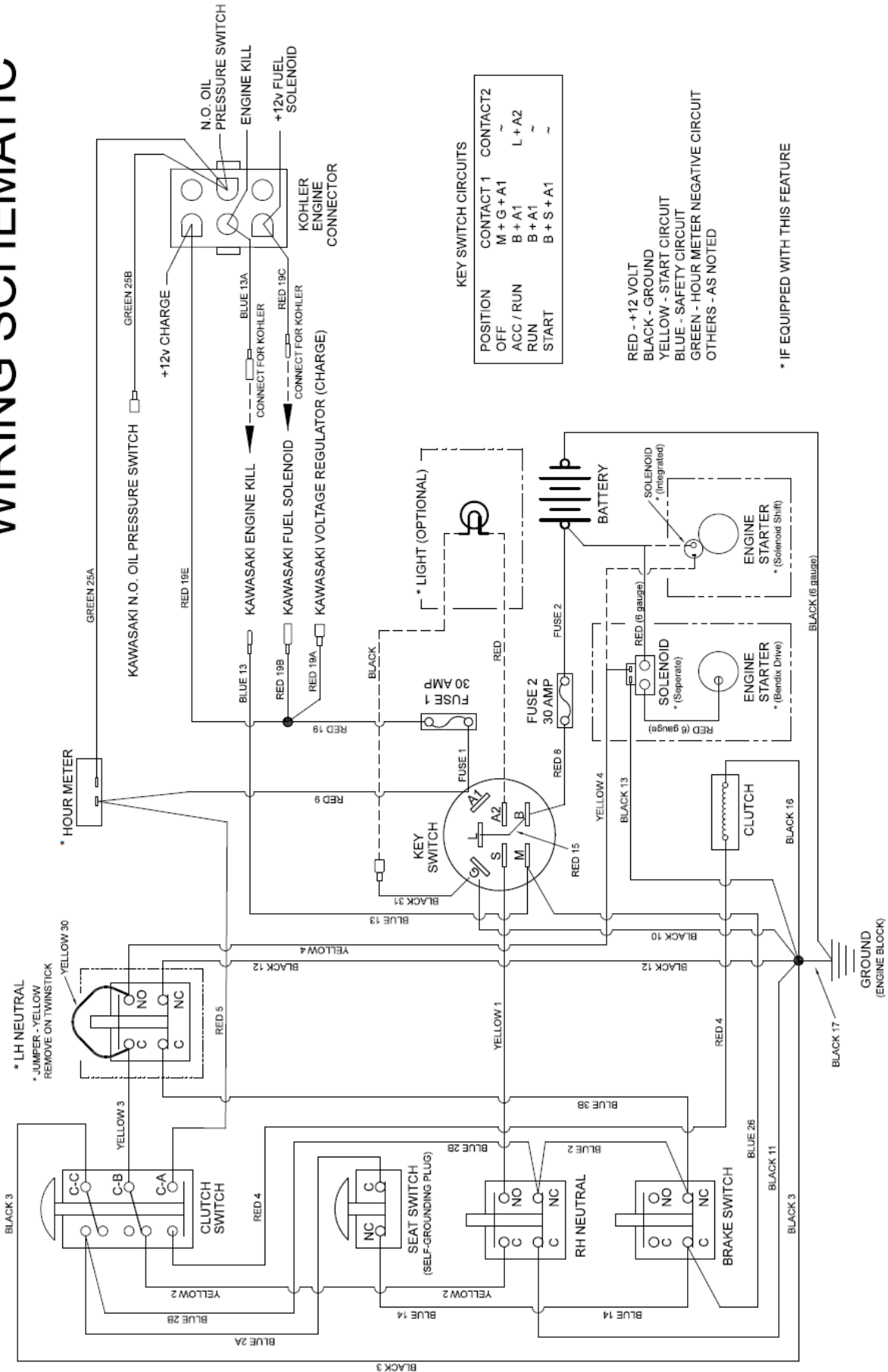
ITEM #	QTY	PART #	DESCRIPTION
1	1	714-398P	GUARD, MUFFLER
2	1	721-117P	GUARD, ENGINE
3	1	D-3769	V BELT A-67 KEVLAR
4	2	E-5842	WIRE TIE
5	1	E-6780	CLUTCH, OGURA GT2.75, 150 FT/LBS, 1-1/8" BORE
6	1	F-2139	HHCS, 7/16-20 X 2", YZ, GR8
7	4	F-2063	NUT, 5/16-18, NYLOC, FLANGED, YZ
8	4	F-2120	FHCS, 5/16-18 X 3/4", YZ, GR5
9	4	F-2125	FHCS, 3/8-16 X 1-1/4", YZ, GR5, KAWASAKI
-	4	F-2238	HFCS, 3/8-16 X 1-1/4", CZ, THD FORMING, KOHLER
10	2	F-2151	NUT, 3/8-16 NYLOC, FLANGED, YZ
11	2	F-2180	FHCS, 3/8-16 x 3", YZ, GR5
12	2	F-2219	HFCS, 3/8-16 X 3/4", CZ, THD FORMING
13	1	P-12918	DECAL, HYDRO BELT ROUTING
14	1	E-6575	HARNESS ADAPTER, CLUTCH PIGTAIL (13.75")
15	1	720-124P	WASHER, OGURA CLUTCH, 0.471 ID X 1.875 OD X 0.25 THK
16	3	F-1019-03	LOCKWASHER, HVY, 3/8, YZ, KAWASAKI ONLY

WIRE HARNESS & RELATED PARTS



ITEM #	PART #	DESCRIPTION
1	E-6717	IGNITION SWITCH, 4 POSITION
2	E-5878	HOUR METER
3	E-6207	FUSE, #ATC-30
4	E-6403	PTO SWITCH
5	E-6718	KEY ASSEMBLY
6	E-6778	WIRE HARNESS, COMMON

WIRING SCHEMATIC



COUNTRY CLIPPER LIMITED WARRANTY

Models: Challenger

Effective: Units Retailed after October 1, 2020

Consumer Limited Warranty

Country Clipper, a Division of Shivers Mfg., Inc. will warrant on the terms and conditions herein, that we will repair, adjust, or replace parts found by examination by the factory or by an authorized Country Clipper dealer to be defective in material, workmanship, or both, and operated and maintained as shown by Country Clipper's instructions and manuals for a period of 4 years or 600 hours (whichever occurs first) of Residential use* from the date of original purchase. The first three years will include parts and labor. The fourth year will be parts only.

*Residential use is defined as use of the equipment on property the same as your primary residence or farmstead. If the equipment is used on more than one property, this is considered Commercial use, and the Commercial Warranty will apply. If usage exceeds industry norms for Residential mowing, validation of usage may be required to retain the Consumer Limited Warranty.

Commercial Limited Warranty

When used for Commercial, business, production agriculture, horticultural or non-profit institutional use, the Limited Warranty term is 4 years or 600 hours (whichever occurs first) from date of purchase. The first three years will provide allowance for parts and labor. The fourth year will be parts only. Mowers used for Rental purposes are not Warranted.

The Warranty applies to Country Clipper Challenger and subsequent revisions to these models sold in the United States and Canada until said warranty is revised. This Warranty applies to the original purchaser only and is non-transferable.

Warranty Exceptions

- Normal service parts are Warranted for 90 days from the original purchase date for defects in materials or workmanship (Belts, Tires, Deck Rollers, Mower Blades, Deck Chute, and Plastic/Cloth Seat Components).
- Batteries have a 6 month Warranty by the battery manufacturer.
- Related accessories are Warranted for 1 year from their original date of purchase.
- The engine Warranty is covered by the engine manufacturer and is not Warranted by Country Clipper. The engine manufacturer's Warranty statement is included in the literature packet.

- The transmission Warranty is covered by the transmission manufacture and is not Warranted by Country Clipper. The transmission manufacturer's Warranty statement is included in the literature packet.

Items and Conditions Not Covered by this Warranty

Items and conditions not covered include:

- Pickup and delivery charges to and from authorized Country Clipper dealer.
- Repair or replacement caused by accident, misuse, neglectful or improper maintenance, improper repairs performed or parts installed, use of After Market parts, unauthorized alteration or modification, and/or normal wear and deterioration for turf equipment.
- Routine maintenance services, adjustments, cleaning and / or expendables (i.e. mower blades, lubricants, fuel, fuel filters, spark plugs, oil, oil filters, and air filters)
- Damaged incurred due to a natural disaster or exposure to the elements.
- Repairs required due to use of incompatible parts, accessories, or supplies used on the equipment other than recommended in the operator's manual or other instructional guides provided by Country Clipper.

Replacement Parts

Replacement parts for Residential and Commercial use mowers that have exceeded the Warranty period are Warranted for 90 days from the date of replacement against defects in material and workmanship. A proof of purchase, of the replacement part, is required at the time the claim is submitted. Labor on replacement parts is not Warranted. Replacement parts on mowers used for Rental operation are not Warranted.

There are no other express Warranties for this product in effect during this time period.

An authorized Country Clipper dealer must perform all Warranty work using Country Clipper approved parts.

Obtaining Warranty Service

A completed Warranty registration must be submitted within 10 days of the date of purchase. If the dealer does not register the product, the customer is responsible to complete the product registration card in the literature package and return it to Country Clipper. The servicing dealer will require a proof of purchase if the product has not been registered.

Customer Responsibility

- The owner is responsible for delivery of the mower to the Country Clipper approved servicing dealer, within the Warranty period, and its return after Warranty work is completed.
- The owner is responsible for maintaining and adjusting the equipment as outlined in the owner's manual.
- Prompt notification to an Authorized Country Clipper Dealer or Country Clipper representative of the need for warranty repair.
- Having the warranty work performed by an authorized Country Clipper Dealer.
- Contacting the desired Country Clipper servicing dealer to arrange the service through their shop.

Contact the desired Country Clipper servicing dealer to arrange the service through their shop. Use our dealer locator at www.countryclipper.com or U.S. and Canada customers can call 800-344-8237 to locate their nearest dealer.

General Conditions

Country Clipper may change the design of its products from time to time. Nothing contained in this Warranty shall be construed as obligating Country Clipper to incorporate said design changes into previously manufactured products, nor shall said changes be construed as an admission that previous designs were defective.

All implied Warranties, including those of merchantability and fitness for a particular purpose are, unless specifically required by the law of the jurisdiction, hereby excluded. Where implied Warranties are required by law, including those of merchantability and fitness for a particular purpose, they are, where allowed by the law of the State, limited to the above stated term of this Warranty. Liability for consequential damages, under any and all Warranties, both express and implied are hereby excluded unless specifically required by the statutory law of the jurisdiction. No claim of breach of Warranty shall be cause for cancellation or rescission of the contract of sale of Country Clipper equipment.

This Warranty gives you specific legal rights, and you may also have other rights, which vary from region to region.

To obtain the nearest servicing dealer:

Dealer locator: www.countryclipper.com
Email: service@countryclipper.com
Phone: 800-344-8237 or 641-872-2544

Mail: Country Clipper a Division of
Shivvers Manufacturing Inc.
613 West English St.
Corydon, IA 50060

KAWASAKI LIMITED WARRANTY

FOUR-CYCLE ENGINE

Kawasaki Motors Corp., U.S.A., P.O. Box 888285, Grand Rapids, MI 49588-8285 (hereinafter "Kawasaki") warrants to the initial purchaser of each new Kawasaki four-cycle engine purchased in any of the following regions: North, Central or South America, Caribbean, Australia, New Zealand, and all territories of the United States of America (collectively, the "Purchase Area") that it will repair or replace, free of charge, any engine parts found to be defective, under normal use and proper maintenance, for a period of thirty-six (36) months, subject to the following conditions, exclusions, obligations and limitations. If you have questions about warranty coverage in your region, please contact the local Kawasaki dealer.

1. COVERAGE.

- a. Any factory-installed engine part found to be defective by Kawasaki within the thirty-six (36) month warranty term shall be repaired or replaced without charge for parts or labor at any authorized Kawasaki engine dealer located within the purchase area.

2. OWNER'S OBLIGATIONS.

The following obligations must be fulfilled by owner to maintain the validity of the Kawasaki limited warranty:

- a. Owner must deliver the four-cycle engine to an authorized Kawasaki engine dealer or equally qualified service facility for inspection, maintenance services and adjustments according to the Periodic Maintenance Chart contained in the owner's manual. The inspection, maintenance services and adjustments are to be performed at owner's expense.
- b. Owner must present proof of initial retail purchase date to an authorized Kawasaki engine dealer at the time warranty repairs are performed on the four-cycle engine.

3. LIMITATIONS.

This limited warranty shall not apply to or include any of the following:

- a. Repair or replacement required as a result of (i) accident, (ii) misuse or neglect, (iii) lack of reasonable and proper maintenance, (iv) repairs improperly performed or replacements improperly installed, (v) use of replacement parts or accessories not conforming to Kawasaki specifications which adversely affect performance and/or durability, (vi) alterations or modifications not recommended or approved in writing by Kawasaki, and/or (vii) wear and deterioration occasioned by the use of the four-cycle engine.
- b. Routine maintenance services, adjustments, cleaning and/or expendables such as spark plugs, lubricants, oil filters, air filters, and fuel filters.

4. LIMITED LIABILITY.

- a. The liability of Kawasaki under the thirty-six (36) month warranty is limited solely to the remedying of defects in factory-installed engine parts by an authorized Kawasaki engine dealer at its place of business during customary business hours. This warranty does not cover inconvenience or loss of use of the four-cycle engine or transportation of the four-cycle engine to and from the Kawasaki dealer. **KAWASAKI SHALL NOT BE LIABLE FOR ANY OTHER EXPENSE, LOSS OR DAMAGE, WHETHER DIRECT, INCIDENTAL, CONSEQUENTIAL OR EXEMPLARY ARISING IN CONNECTION WITH THE SALE OR USE OF OR INABILITY TO USE THE KAWASAKI FOUR-CYCLE ENGINE FOR ANY PURPOSE. SOME STATES DO NOT ALLOW THE EXCLUSION OR LIMITATIONS OF ANY INCIDENTAL OR CONSEQUENTIAL DAMAGES, SO THE ABOVE LIMITATION OR EXCLUSION MAY NOT APPLY TO YOU.**
- b. **NO EXPRESS WARRANTY IS GIVEN BY KAWASAKI WITH RESPECT TO THE KAWASAKI FOUR-CYCLE ENGINE EXCEPT AS SPECIFICALLY SET FORTH HEREIN. ANY WARRANTY IMPLIED BY LAW, INCLUDING ANY WARRANTY OF MERCHANTABILITY OR FITNESS FOR A PARTICULAR PURPOSE, IS EXPRESSLY LIMITED TO THE THIRTY-SIX (36) MONTH WARRANTY TERM SET FORTH HEREIN. THE FOREGOING STATEMENTS OF WARRANTY ARE EXCLUSIVE AND IN LIEU OF ALL OTHER REMEDIES. SOME STATES DO NOT ALLOW LIMITATIONS ON HOW LONG AN IMPLIED WARRANTY LASTS, SO THE ABOVE LIMITATIONS MAY NOT APPLY TO YOU.**
- c. No distributor, dealer or other four-cycle engine reseller is authorized to modify this Kawasaki Limited Four-Cycle Warranty.

5. LEGAL RIGHTS.

THIS WARRANTY GIVES YOU SPECIFIC LEGAL RIGHTS, AND YOU MAY ALSO HAVE OTHER RIGHTS WHICH VARY FROM STATE TO STATE .

EMISSION CONTROL SYSTEM WARRANTY STATEMENT

This warranty statement outlines the emission warranty coverage provided by Kawasaki Motors Corp. U.S.A. ("Kawasaki") for small off-road engines sold in the U.S. and its territories, as well as the 13 provinces and territories of Canada. This warranty statement is divided into two parts. Part I warrants that a new Kawasaki small off-road engine complies with U.S. EPA and Environment Canada emissions regulations. Part II warrants that a new Kawasaki small off-road engine certified for sale in California also complies with the State of California's emissions regulations.

Part I: United States and Canada

Your Warranty Rights and Obligations

Your new small off-road engine must be designed, built and equipped to meet the U.S. EPA emission standards for small off-road engines with maximum engine power at or below 19 kilowatts or an engine displacement less than 1 liter. Kawasaki must warrant the emission control system on your small off-road engine for the period of time listed below, provided there has been no abuse, neglect, or improper maintenance of your small off-road engine. Where a warrantable condition exists, Kawasaki will repair your small off-road engine at no cost to you including diagnosis, parts, and labor.

Your emission control system may include such parts as the carburetor or fuel injection system, the ignition system, and catalytic converter. Also included may be hoses, connectors, and other emission-related assemblies. For a list of the emission control system parts covered under this warranty, please contact your nearest Kawasaki Dealer or contact Kawasaki directly at 877-364-6404.

Warranty Coverage

Kawasaki warrants to the original retail purchaser, and each subsequent purchaser, that the small off-road engine, including all parts of its emission control system, is:

1. designed, built, and equipped to conform to the U.S. EPA and Environment Canada emission standards at the time of sale to the original retail purchaser; and
2. free from defects in materials and workmanship that may keep it from meeting the requirements under these emission standards.

This warranty begins on the date the small off-road engine is delivered to the original retail purchaser and extends for a period of three years. This warranty covers all components whose failure would increase the emissions of any regulated pollutant. This warranty does not cover components whose failure would not increase the engine's emissions of any regulated pollutants.

Owner's Warranty Responsibility

As the small off-road engine owner, you are responsible for the performance of the required maintenance listed in your owner's manual. Kawasaki recommends that you retain all receipts covering maintenance on your small off-road engine, but Kawasaki cannot deny warranty coverage solely for the lack of receipts or for your failure to ensure the performance of all scheduled maintenance.

As the small off-road engine owner, you should, however, be aware that Kawasaki may deny you warranty coverage if your small off-road engine or a part has failed due to abuse, neglect, improper maintenance, or unapproved modifications.

You are responsible for presenting your small off-road engine to a Kawasaki dealer as soon as a problem exists. The emission related warranty repairs should be completed in a reasonable amount of time, not to exceed 30 days.

If you have any questions regarding your emission warranty rights and responsibilities, you should contact:

Kawasaki Motors Corp. U.S.A.
Consumer Services Department
5080 36th Street S.E.
Grand Rapids, MI 49512
Telephone: (877) 364-6404
Email: kawpower-website@kmc-usa.com

To Obtain Warranty Service

You must, at your own expense, take your Kawasaki small off-road engine or the product on which it is installed, along with proof of original purchase date, to any Kawasaki Dealer who is authorized by Kawasaki to sell and service that Kawasaki product during the Dealer's normal business hours. Claims for repair or adjustments found to be caused solely by defects in material or workmanship will not be denied because the engine was not properly maintained and used.

If however, you reside more than 100 miles from an authorized service center in the contiguous states, excluding certain high-altitude areas, Kawasaki will either pay for shipping costs to and from an authorized service center, provide for a service technician to come to the owner to make the warranty repair, or pay for the repair to be made at a local non-authorized service center. If you are unable to obtain emission warranty service or are dissatisfied with the warranty service you received, contact the owner of the dealership involved. However, if you require further assistance, contact Kawasaki directly via the contact information above.

Exclusions

Failures other than those resulting from defects in material or workmanship are not covered by this warranty. This warranty does not extend to emission control systems and parts that are affected or damaged by owner abuse, misuse, neglect, improper maintenance or repairs, misfueling, improper storage, collision, the use of unsuitable attachments, or the unauthorized alteration of any part.

This warranty does not cover replacement of parts or other services and adjustments necessary for required maintenance at and after the first scheduled replacement point.

Disclaimer of Consequential Damages and Limitation of Implied Warranties

Kawasaki Motors Corp. disclaims responsibility for incidental or consequential damages such as loss of time or the use of the power equipment, or any commercial loss due to the failure of the equipment; and any implied warranties are limited to the duration of this written warranty. This warranty is applicable only where the California, U.S. EPA, or Environment Canada emission control system warranty regulation is in effect.

Part II: CALIFORNIA EMISSIONS CONTROL WARRANTY STATEMENT

Your Warranty Rights and Obligations

The California Air Resources Board and Kawasaki are pleased to explain the emission control system warranty on your model year 2021/2022 small off-road engine. In California, new small off-road engines must be designed, built, and equipped to meet the State's stringent anti-smog standards. Kawasaki must warrant the emission control system on your small off-road engine for the periods of time listed below provided there has been no abuse, neglect or improper maintenance of your small off-road engine.

Your emission control system may include such parts as the carburetor or fuel injection system, the ignition system, and catalytic converter. Also included may be hoses, belts, connectors, and other emission-related assemblies.

Where a warrantable condition exists, Kawasaki will repair your small off-road engine at no cost to you including diagnosis, parts and labor.

Manufacturer's Warranty Coverage

The 1995 and later small off-road engines are warranted for three years. If any emission-related part on your small off-road engine is defective, the part will be repaired or replaced by Kawasaki.

Owner's Warranty Responsibility

As the small off-road engine owner, you are responsible for the performance of the required maintenance listed in your owner's manual. Kawasaki recommends that you retain all receipts covering maintenance on your small off-road engine, but Kawasaki cannot deny warranty coverage solely for the lack of receipts or for your failure to ensure the performance of all scheduled maintenance.

As the small off-road engine owner, you should however be aware that Kawasaki may deny you warranty coverage if your small off-road engine or a part has failed due to abuse, neglect, improper maintenance, or unapproved modifications.

You are responsible for presenting your small off-road engine to a Kawasaki distribution center as soon as a problem exists. The warranty repairs should be completed in a reasonable amount of time, not to exceed 30 days.

If you have any questions regarding your warranty rights and responsibilities, you should contact:

Kawasaki Motors Corp. U.S.A.
Consumer Services Department
5080 36th Street S.E.
Grand Rapids, MI 49512
Telephone: (877) 364-6404
Email: kawpower-website@kmc-usa.com

General Emissions Warranty Coverage

Kawasaki warrants to the ultimate purchaser and each subsequent purchaser that the small off-road engine is:

1. designed, built, and equipped so as to conform with all applicable regulations adopted by the Air Resources Board pursuant to its authority in Chapters 1 and 2, Part 5, Division 26 of the Health and Safety Code; and
2. free from defects in materials and workmanship that cause the failure of a warranted part to be identical in all material respects to the part as described in Kawasaki's application for certification.

The warranty period begins on the date the engine or equipment is delivered to an ultimate purchaser or first placed into service. The equipment or engine owner will not be charged for diagnostic labor that is directly associated with diagnosis of a defective, emission-related warranted part, provided that such diagnostic work is performed at a Kawasaki warranty station.

Engine parts outlined in the Periodic Maintenance Chart found in the Owners Manual provided with this engine, are warranted as follows:

1. Any warranted part that is not scheduled for replacement as required maintenance in the Periodic Maintenance Chart, is warranted for the warranty period stated above. If any such part fails during the warranty period, the part will be repaired or replaced by Kawasaki at no charge to the owner provided the repair or replacement is performed at a warranty station. Any such part repaired or replaced under the warranty will be warranted for the remaining warranty period.
2. Any warranted part that is scheduled only for regular inspection in the Periodic Maintenance Chart is warranted for the warranty period stated above. Any such part repaired or replaced under warranty will be warranted for the remaining warranty period.
3. Any warranted part that is scheduled for replacement as required maintenance in the Periodic Maintenance Chart is warranted for the period of time before the first scheduled replacement date for that part. If the part fails before the first scheduled replacement, the part will be repaired or replaced by Kawasaki at no charge to the owner provided the repair or replacement is performed at a warranty station. Any such part repaired or replaced under warranty will be warranted for the remainder of the period prior to the first scheduled replacement point for the part.

Kawasaki is liable for damages to other engine components proximately caused by a failure under warranty of any warranted part.

Throughout the engine's warranty period defined above, Kawasaki will maintain a supply of warranted parts sufficient to meet the expected demand for such parts. Any replacement part may be used in the performance of any warranty maintenance or repairs and will be provided without charge to the owner. Such use will not reduce the warranty obligations of Kawasaki.

Add-on or modified parts, as defined in Section 1900(b)(1) and (b)(14), Title 13, that are not exempted by the Air Resources Board may not be used. The use of any non-exempted add-on or modified parts by the ultimate purchaser will be grounds for disallowing a warranty claim made in accordance with this article. Kawasaki will not be liable under this article to warrant failures of warranted parts caused by the use of a non-exempted add-on or modified part.

To Obtain Warranty Service

Notwithstanding the provisions herein, warranty services or repairs will be provided at all Kawasaki distribution centers that are franchised to service the subject engines.

You must, at your own expense, take your Kawasaki small off-road engine or the product on which it is installed, along with proof of original purchase date, to any Kawasaki Dealer who is authorized by Kawasaki to sell and service that Kawasaki product during the Dealer's normal business hours. Claims for repair or adjustments found to be caused solely by defects in material or workmanship will not be denied because the engine was not properly maintained and used.

If you are unable to obtain emission warranty service or are dissatisfied with the warranty service you received, contact the owner of the dealership involved. However, if you require further assistance, contact the Kawasaki office in your region:

Kawasaki Motors Corp., U.S.A.
Consumer Services Department
5080 36th Street S.E.
Grand Rapids, MI 49512
Telephone: (877) 364-6404
Email: kawpower-website@kmc-usa.com

Exclusions

1. The repair or replacement of any warranted part otherwise eligible for warranty coverage as stated above may be excluded from such warranty coverage if Kawasaki demonstrates that the engine has been abused, neglected, or improperly maintained, and that such abuse, neglect, or improper maintenance was the direct cause of the need for repair or replacement of the part.
2. Kawasaki warrants your engine only for the warranty period specified above.
3. Except as provided above, any adjustment of a component that has a factory installed, and properly operating, adjustment limiting device (such as an idle limiter cap or plug) is eligible for warranty coverage as stated above.

Disclaimer of Consequential Damage and Limitation of Implied Warranties:

Kawasaki Motors Corp. disclaims responsibility for incidental or consequential damages such as loss of time or the use of the power equipment, or any commercial loss due to the failure of the equipment; and any implied warranties are limited to the duration of this written warranty. This warranty is applicable only where the California, U.S. EPA, or Environment Canada emission control system warranty regulation is in effect.

Warranted Parts List:

The following is the emission warranty parts list for your small off-road engine:

- (i) Fuel Metering System
 - (A) Carburetor and internal parts (and/or pressure regulator or fuel injection system)
 - (B) Cold start enrichment system
 - (C) Intake valve(s)
- (ii) Air Induction System
 - (A) Intake manifold
 - (B) Air filter
- (iii) Ignition System
 - (A) Spark plugs
 - (B) Magneto or electronic ignition system
 - (C) Spark advance/retard system
 - (D) Ignition coil and/or control module
- (iv) Lubrication System
 - (A) Oil pump and internal parts
- (v) Positive Crankcase Ventilation (PCV) System
 - (A) PCV valve
 - (B) Oil filler cap
- (vi) Catalyst or Thermal Reactor System
 - (A) Catalytic converter
 - (B) Exhaust manifold
 - (C) Exhaust valve(s)

Kawasaki Motors Corp., U.S.A.
Consumer Services Department
5080 36th Street S.E.
Grand Rapids, MI 49512
Telephone: (877) 364-6404
Email: kawpower-website@kmc-usa.com

LIMITED WARRANTY, CONFIDANT

Kohler Co. warrants to the original retail consumer that each new engine will be free from manufacturing defects in materials or workmanship for the applicable coverage period as set forth below, beginning on date of purchase; provided the engine is operated and maintained in accordance with Kohler Co.'s instructions and manuals.

Type of use

Residential	3 Years
Commercial/Rental	3 Years

Our obligation under this warranty is expressly limited, at our option, to the replacement or repair of such part or parts as inspection shall disclose to be defective at Kohler Co., Kohler, Wisconsin 53044, or at a service facility designated by Kohler Co.

EXCLUSIONS:

Mufflers on engines used commercially (non-residential) are warranted for one (1) year from date of purchase, except catalytic mufflers, which are warranted for two (2) years.

The following items are not covered by this warranty.

- Damage caused as a result of an accident or casualty.
- Failures caused by faulty repairs made by others.
- Failures caused by use of non-Kohler replacement service parts.
- Transportation charges in connection with the repair or replacement of defective parts.
- Repairs caused from improper storage, old or contaminated fuel left within the fuel system (tanks, fuel lines or carburetor).
- Damage caused from unreasonable use or neglect, normal wear, or premature wear from improper maintenance.

Engine accessories such as fuel tanks, clutches, transmissions, power drive assemblies, and batteries, unless supplied or installed by Kohler Co. These are subject to the warranties, if any, of their manufacturers.

IMPLIED OR STATUTORY WARRANTIES, INCLUDING WARRANTIES OF MERCHANTABILITY OR FITNESS FOR A PARTICULAR PURPOSE, ARE EXPRESSLY LIMITED TO THE DURATION OF THIS WRITTEN WARRANTY. WE MAKE NO OTHER EXPRESS WARRANTY, OR IS ANYONE AUTHORIZED TO MAKE ANY ON OUR BEHALF. KOHLER CO. AND/OR THE SELLER SHALL NOT BE LIABLE FOR SPECIAL, INDIRECT, INCIDENTAL, OR CONSEQUENTIAL DAMAGES OF ANY KIND.

Some states or countries do not allow limitations on how long an implied warranty lasts, or the exclusion or limitation of incidental or consequential damages, so the above limitation or exclusion may not apply to you. This warranty gives you specific legal rights, and you may also have other rights which vary from country to country, or state to state within U.S.A.

TO OBTAIN WARRANTY SERVICE:

Original retail consumer must bring the engine to an authorized Kohler dealer found by visiting www.KohlerEngines.com or telephone 1-800-544-2444 (U.S.A. and Canada).

Warranty Conditions-Australia

The benefits given to you under this warranty are in addition to other rights and remedies that you have under Australian law in relation to the goods.

All costs associated with claiming under this warranty must be borne by the consumer, including transport costs incurred in the repair or replacement of any defective part. Our goods come with guarantees that cannot be excluded under the Australian Consumer Law. You are entitled to a replacement or refund for a major failure and for compensation for any other reasonably foreseeable loss or damage. You are also entitled to have the goods repaired or replaced if the goods fail to be of acceptable quality and the failure does not amount to a major failure.

Kohler Co. Service Agent in Australia:

EPG Engines

31 Powers Road

Seven Hills, NSW, 2147

61 2 9830 2295

61 1800 069 399

www.epgengines.com.au

ENGINE DIVISION, Kohler Co., Kohler Wisconsin

B) CALIFORNIA AND FEDERAL EXHAUST AND EVAPORATIVE EMISSIONS CONTROL WARRANTY STATEMENT YOUR WARRANTY RIGHTS AND OBLIGATIONS

The California Air Resources Board, US Environmental Protection Agency ("US EPA") and Kohler Co. are pleased to explain the exhaust and evaporative emissions control systems warranty on your 2018-2020 Small Off-Road Engine ("SORE") and engine powered equipment as applicable. In California and the USA, new equipment that use SORE must be designed, built and equipped to meet California and US EPA stringent anti-smog standards. Kohler Co. must warrant the emission control systems on your SORE and engine powered equipment for the period listed below provided there has been no abuse, neglect or improper maintenance of your SORE or engine powered equipment leading to the failure of the emission control systems.

Your exhaust emission control systems may include parts such as carburetors, fuel-injection systems, the ignition system, and catalytic converters. Also included may be an evaporative emission control system which may include parts such as fuel tanks, fuel lines (for liquid fuel and vapors), fuel caps, valves, carbon canisters, clamps, connectors, and other associated components.

MANUFACTURER'S WARRANTY COVERAGE:

The 1995 and later SORE exhaust and evaporative emission control systems are warranted for three years. If any exhaust or evaporative emission-related part on your SORE or engine powered equipment is defective, the part will be repaired or replaced by Kohler Co.

OWNER'S WARRANTY RESPONSIBILITIES:

As the SORE or engine powered equipment owner, you are responsible for the performance of the required maintenance listed in your owner's manual. Kohler Co. recommends that you retain all receipts covering maintenance on your SORE or engine powered equipment, but Kohler Co. cannot deny warranty coverage solely for the lack of receipts. As the SORE or engine powered equipment owner, you should however be aware that Kohler Co. may deny you warranty coverage if your SORE or engine powered equipment or a part has failed due to abuse, neglect, improper maintenance or unapproved modifications.

You are responsible for presenting your SORE or engine powered equipment to a Kohler Co. distribution or service center as soon as a problem exists. The warranty repairs should be completed in a reasonable amount of time, not to exceed 30 days. If you have a question regarding your warranty coverage, you should contact a Kohler Dealer at 1-800-544-2444 or visit www.kohlerengines.com.

GENERAL EMISSIONS WARRANTY COVERAGE

The warranty period begins on the date the engine or equipment is delivered to an ultimate purchaser. Kohler Co. warrants to the ultimate purchaser and each subsequent purchaser that the engine is: Designed, built, and equipped so as to conform with all applicable regulations adopted by the Air Resources Board and US EPA; and free from defects in materials and workmanship that cause the failure of a warranted part to be identical in all material respects to the part as described in the engine manufacturer's application for certification for the warranty period stated above.

The warranty on emissions-related parts is as follows:

- (1) Any warranted part that is not scheduled for replacement as required maintenance in the owner's manual supplied, is warranted for the warranty period stated above. If any such part fails during the period of warranty coverage, the part will be repaired or replaced by Kohler Co. at no charge to the owner. Any such part repaired or replaced under the warranty will be warranted for the remaining warranty period.
- (2) Any warranted part that is scheduled only for regular inspection in the owner's manual supplied, is warranted for the warranty period stated above. Any such part repaired or replaced under warranty will be warranted for the remaining warranty period.
- (3) Any warranted part that is scheduled for replacement as required maintenance in the owner's manual supplied, is warranted for the period of time prior to the first scheduled replacement point for that part. If the part fails prior to the first scheduled replacement, the part will be repaired or replaced by Kohler Co. at no charge to the owner. Any such part repaired or replaced under warranty will be warranted for the remainder of the period prior to the first scheduled replacement point for the part.
- (4) Add-on or modified parts that are not exempted by the Air Resources Board may not be used. The use of any non-exempted add-on or modified parts by the ultimate purchaser will be grounds for disallowing a warranty claim. The manufacturer will not be liable to warrant failures of warranted parts caused by the use of a non-exempted add-on or modified part.

PARTS COVERED BY WARRANTY

Listed below are the parts (if equipped) covered by the Federal and California Emission Control Systems Warranty. Some parts listed below may require scheduled maintenance and are warranted up to the first scheduled replacement point for that part.

- Oxygen sensor
- Intake manifold
- Exhaust manifold
- Catalytic muffler
- Thermal reactor muffler
- Spark advance module
- Crankcase breather
- Air Injection System
 - Air pump or pulse valve assembly
 - Control/distribution valve
 - Distribution manifold
 - Air hoses
 - Vacuum lines
- Ignition module(s) with high tension lead
- Gaseous fuel regulator
- Electronic control unit
- Carburetor or fuel injection system
- Fuel metering valve
- Air filter, fuel filter, and spark plugs (only to first scheduled replacement point)
- Evaporative System
 - Carbon canister and carbon canister mounting bracket
 - Carbon canister filter
 - Purge port/orifice connector
 - Fuel tank
 - Fuel cap and fuel cap gasket
 - Primer bulb canister
 - Fuel line (for liquid fuel and fuel vapors), fuel line fittings and clamps
 - Carburetor purge port connector

Limitations

This Emission Control Systems Warranty shall not cover any of the following:

- a. Consequential damages such as loss of time, inconvenience, loss of use of the engine or equipment, etc.
- b. Diagnosis and inspection fees that do not result in eligible warranty service being performed.



All Models

Warranty

Policies and Procedures



Hydro-Gear® Warranty Policies and Procedures

Limited Warranty

BLN-50225_P18 March, 2019

Hydro-Gear Limited Partnership (hereinafter referred to as "Hydro-Gear") warrants to the original equipment manufacturer (OEM), authorized distributor, or authorized servicing dealer purchasing a Hydro-Gear product or replacement parts (such purchaser is hereinafter referred to as "Buyer") that the product or replacement parts will be free from defects in material and workmanship at the time of shipment from Hydro-Gear, and will conform to such drawings and specifications as are applicable to the product or replacement parts under Hydro-Gear's sales agreement with Buyer.

The duration of this limited warranty is as set forth in the section below under the heading "WARRANTY PERIODS." During the applicable period of warranty, Hydro-Gear shall repair or replace at its option those products or their parts which are found by Hydro-Gear to be defective in material or workmanship at time of shipment, provided that Hydro-Gear or its authorized representative is first advised in writing of Buyer's contention of such defect (during such warranty period) and provided further, that the product or, if applicable, the replacement part in question is made available for inspection by Hydro-Gear or its authorized representative. To facilitate inspection, Hydro-Gear may request return of the product and/or part which Buyer contends to be defective. Product or parts failures or malfunctions which are not attributable to defects in material and/or workmanship, and which are not covered by the said warranty include, but are not limited to:

- * Inadequate, contaminated, or improper fluid.
- * Accident, abuse, improper maintenance, or neglect.
- * Stripped keyways, or splines stripped or worn on external shaft end.
- * Improper mounting of external pulleys, gears, couplings, etc.
- * Improper electrical connection or power supply.
- * Corrosion, or other damage, resulting from battery acid leakage.
- * Operating above those speeds, weights limits, pressures, or temperatures recommended by Hydro-Gear.
- * Use of the product in a manner or for a purpose not originally intended for by Hydro-Gear or failure to use in strict accordance with Hydro-Gear's written instructions.
- * Repairs or installation by personnel other than as authorized by Hydro-Gear.
- * Transportation.
- * Use of parts other than Genuine Hydro-Gear Parts or other parts authorized in writing by Hydro-Gear.
- * Misdiagnosis of component failure.
- * Maintenance items such as filters, oil, etc.

THE WARRANTIES SET FORTH HEREIN ARE IN LIEU OF AND TO THE EXCLUSION OF ALL OTHER WARRANTIES, WHETHER EXPRESS, IMPLIED, OR STATUTORY, INCLUDING BUT NOT BY WAY OF LIMITATION, WARRANTIES OF MERCHANTABILITY OR FITNESS FOR A PARTICULAR PURPOSE.

HYDRO-GEAR'S LIABILITY, WHETHER OF WARRANTY, NEGLIGENCE, OR OTHERWISE, IS LIMITED TO THE REPAIR OR REPLACEMENT AS HEREIN PROVIDED OR, AT HYDRO-GEAR'S SOLE OPTION, TO A REFUND OF THE PURCHASE PRICE. **THIS SHALL BE HYDRO-GEAR'S SOLE AND MAXIMUM LIABILITY AND UNDER NO CIRCUMSTANCES SHALL HYDRO-GEAR BE LIABLE FOR LIQUIDATED, SPECIAL, INCIDENTAL OR CONSEQUENTIAL DAMAGES.**

If Buyer grants warranty on Hydro-Gear products of greater scope than the warranties provided by Hydro-Gear, or extends any warranty period beyond the applicable period described in "**WARRANTY PERIODS**," Buyer does so at its sole risk and expense and Buyer will indemnify and hold Hydro-Gear harmless from any claims of any party based on such greater warranty or period, and any expenses incurred in the defense of such claims. This warranty only applies to OEM's, authorized distributors, authorized servicing dealers, and by its terms does not extend to any person buying the product from such OEM, authorized distributor, or authorized servicing dealer, for personal, family, or household use. If Buyer makes available the benefits of this warranty to its customer, and if the Magnuson-Moss Warranty Improvement Act (Pub. L. 93-637) or similar state laws should apply, Buyer assumes all responsibility for compliance with such laws and any expenses incurred in the defense of any such claims, thereunder.

Note: Proof of purchase must be available if requested to assist in determining commencement of the warranty period. If proof of purchase is not available, the Hydro-Gear Serial Number will determine the commencement of the warranty period.

I. ORIGINAL (OEM) INSTALLED PRODUCTS^Δ

A. REVIEWED TWO YEAR NONCOMMERCIAL* USAGE (See Figure 1, Hydro-Gear Warranty Time Frames)

The warranty period shall be limited to the earlier of:

- (i) 24 consecutive months (2 years) from the date of first sale** of the product, or
- (ii) 24 consecutive months (2 years) from the date of manufacture if proof of purchase is not available upon request, and is subject to a limitation of 48 consecutive months (4 years) from the date of manufacture.***

B. REVIEWED ONE YEAR COMMERCIAL USAGE (See Figure 1, Hydro-Gear Warranty Time Frames)

The warranty period shall be limited to the earlier of:

- (i) 12 consecutive months (1 year) from the date of the first sale of the product, or
- (ii) 90 days from the date of the first sale of the product on Rental applications; or
- (iii) 12 consecutive months (1 year) from the date of manufacture if proof of purchase is not available upon request, and is subject to a limitation of 48 consecutive months (4 years) from the date of manufacture.

C. REVIEWED TWO YEAR COMMERCIAL USAGE (See Figure 1, Hydro-Gear Warranty Time Frames)

The warranty period shall be limited to the earlier of:

- (i) 24 consecutive months (2 years) from the date of the first sale of the product, or
- (ii) 90 days from the date of the first sale of the product on Rental applications; or
- (iii) 24 consecutive months (2 years) from the date of manufacture if proof of purchase is not available upon request, and is subject to a limitation of 48 consecutive months (4 years) from the date of manufacture.

II. REPLACEMENT PARTS AND UNITS^Δ

A. HYDRO-GEAR REPLACEMENT PARTS

- (i) All parts shall be warranted for 90 days from the date of first sale, or the balance of the original product warranty, whichever is longer.
- (ii) This warranty is subject to a limitation of 48 consecutive months (4 years) from the date of manufacture.

B. HYDRO-GEAR REPLACEMENT UNITS

- (i) Replacement units shall be warranted for 180 days from the date of first sale, or the balance of the original product warranty, whichever is longer.
- (ii) Nevertheless, the warranty period for replacement units in Rental applications is limited to 90 days from the date of first sale.
- (iii) These warranties for replacement units are subject to a limitation of 48 consecutive months (4 years) from the date of manufacture.

^Δ All Product repairs and replacements must be performed by an authorized dealer or service center to prevent Hydro-Gear's warranty from being voided.

* Noncommercial - any vehicle not reviewed for commercial use by Hydro-Gear.

** First sale - is considered the date a vehicle, replacement part or replacement unit is first sold by Buyer (OEM, authorized distributor, or authorized servicing dealer).

*** 48 consecutive months (4 years) from the date of manufacture – Any warranty period listed herein will remain in effect for its entire duration on any sale of the product by Buyer occurring up to 48 consecutive months (4 years) from the date of manufacture by Hydro-Gear. Hydro-Gear will not reimburse Buyer on warranty claims pertaining to products sold by Buyer more than 48 consecutive months (4 years) from the date of manufacture by Hydro-Gear. In the latter case, any warranty offered by Buyer is at the sole risk and expense of Buyer. In such case, Buyer will indemnify and hold Hydro-Gear harmless from the claims of any party based on such warranty, and from any expenses incurred in the defense of such claims.

Warranty Claims Procedure

- A. Claims submitted to Hydro-Gear will require a Hydro-Gear, OEM, Outdoor Power Equipment Institute (OPEI) or equivalent claim form from the servicing dealer. Dealer claims must provide all pertinent information typical on OPEI claim forms, i.e., owner's name, servicing dealer, Hydro-Gear Serial Numbers, symptoms, repair date, and type of use, etc.
- B. Complete Hydro-Gear product Model Number and Serial Number must be provided.
- C. All claims must be filed within 45 days of unit failure.
- D. Warranty claims will be processed in accordance with: BLN-51371 for the United States and Canada; BLN-51373 for Europe, and BLN-51374 for Australia.
- E. Hydro-Gear reserves the right to reduce or reject a warranty claim which does not comply with the stated procedures.
- F. Warranty labor rate(s) will be set by Hydro-Gear.
- G. Labor rate time guidelines will be as follows:

Hydraulic Units		Electric Units	
Hydraulic Unit Replacement	Up to Two hours maximum	Electric Unit (Transaxle) Replacement	Up to Two hours maximum
Hydraulic External Repair	Up to One hour maximum	Electric Unit (Transaxle) External Repair	Up to One hour maximum
Hydraulic Internal Repair	Up to Three hours maximum	Electric Unit (Transaxle) Internal Repair	Up to Three hours maximum
		Electric Component Replacement or Repair	Up to One hour maximum

Hydro-Gear Warranty Time Frames			
Hydraulic Product Group	2 Year Noncommercial Usage	1 Year Commercial Usage	2 Year Commercial Usage
ZT-1800 / ZT-2100 / ZT-2200 (EZT) ZT-2800	Yes	No	No
ZT-3100 / ZT-3200	Yes	Yes	No
ZT-3400 / ZT-3600 / ZT-3800 / ZT-4400 / ZT-5400	Yes	-	Yes
SST	Yes	No	No
RT-310	Yes	Yes	No
T1 / T2 / T3	Yes	No	No
310-0510 / 310-0610 / 310-0710	Yes	No	No
310-2000 / G700 / 310-3000 / 310-3500	Yes	No	No
Pumps (PC)	Yes	Yes	No
Pumps (PJ, PE, PL, PG, PK, PR, PW, PY)	Yes	-	Yes
Piston Motor (HGM-H, PRM)	Yes	-	Yes

Figure 1: Hydraulic Warranty Time Frames

Smartec Warranty Time Frames			
Electric Product Group	2 Year Noncommercial Usage	1 Year Commercial Usage	2 Year Commercial Usage
Electric Drive - ZT	Yes	No	No
Electric Drive - LT	Yes	No	No

Figure 2: Smartec Warranty Time Frames

- a) All warranty times listed in Figures 1 & 2 are for products originally installed in a machine by an OEM manufacturer.
- b) See sections I(B), I(C), II(A) and II(B) on the **Warranty Periods** page for Rental Application, Replacement Part, and Replacement Unit warranty information.



Battery Warranty Terms

The OE Interstate Battery will be covered under a free replacement warranty for 6 months. This warranty period will begin the date the lawnmower is purchased by the end user.

Battery Warranty Process

If you have a lawnmower that won't start, please complete these steps before calling for a warranty replacement. Completion of these steps before calling will expedite the warranty process.

1. Check the voltage of the battery. If the voltage reading is at or below 12.60 volts, the battery is most likely discharged and needs a slow recharge. If this is the case, move to step 2. If your battery's voltage is above 12.60 volts, move to step 5.
2. Charge the battery with a slow charger (4 amps or less). If you have an automatic shut-off charger, connect the battery to the charger and let the charger complete its charge cycle. If using a manual charger, utilize the following chart to determine necessary recharge time (a 15-60 minute charge WILL NOT be a sufficient recharge for a discharged battery and will be refused for warranty):

Open Circuit Voltage

Battery Voltage	State of Charge	Recommended Charge Time (Hours)		
		1 Amp	2 Amps	4 Amps*
12.84	100%	0	0	0
12.60	70%	20	10	5
12.40	50%	32	16	8
12.20	25%	52	26	13
12.00	0%	72	36	18

3. Once recommended charging time is complete, let battery rest for as long as possible (up to 24 hours) to deplete surface charge and increase testing accuracy.
4. Check voltage again. If the battery's voltage is still below 12.60 volts, repeat step 2. If voltage is above 12.60 volts, move to step 5.
5. Load test the battery according the instructions of your load tester and to the ratings of the battery. If the battery passes the load test, it can be re-installed in the lawnmower.
6. If the battery fails the load test, please contact Interstate Batteries at the number below to process the warranty battery. Please have the battery with you as the part number and manufacturer's date code will be required.

Interstate Batteries of NWMO
(816) 424-3417
sales@myinterstatestore.com

SPECIFICATIONS

CHALLENGER – Joystick Steering

MODEL	2552KOJ-D510	2560KOJ-D510	2452KAJ-D510	2460KAJ-D510
Engine	25 H.P. Kohler ZT740 (747cc)		24 H.P. Kawasaki FS730 (726cc)	
Hydrostatic Transmissions	Hydrogear ZT-3400 w/RTN Spring			
Steering Control	Single Joystick			
Fuel Capacity	7 Gallons			
Tires, Rear	22x11-10			
Tires, Front	13X6.5-6			
Turning Radius	Zero-Turn			
Ground Speed Forward Reverse	9 MPH (infinitely variable) 5 MPH (infinitely variable)			
Length	79"			
Height,	31½" (Seat Cushion), 51" (Seat Back)			
Width, Tractor (outside rear tires)	49"			
Width, Deck (with deck chute up) (with deck chute down)	53" 65"	61" 73"	53" 65"	61" 73"
Cutting Width	52"	60"	52"	60"
Blade Length (3 per deck)	18 3/8"	21"	18 3/8"	21"
Cutting Height	1-1/2" to 5" (¼" increments)			
Weight (actual)	813#	823#	824#	834#
Standard Features	Hour Meter, Electric Start, Deluxe Adjustable Seat, Sewn Arm Rest, Cup Holder, Pivoting Front End, and Front Step			

CHALLENGER – Twinstick Steering

MODEL	2452KAT-D510	2460KAT-D510
Engine	24 H.P. Kawasaki FS730 (726cc)	
Hydrostatic Transmissions	Hydrogear ZT-3400 w/RTN Spring	
Steering Control	Twinstick Controls	
Fuel Capacity	7 Gallons	
Tires, Rear	22x11-10	
Tires, Front	13x6.5-6	
Turning Radius	Zero-Turn	
Ground Speed Forward Reverse	9 MPH (infinitely variable) 5 MPH (infinitely variable)	
Length	79"	
Height,	31½" (Seat Cushion), 51" (Seat Back)	
Width, Tractor (outside rear tires)	49"	
Width, Deck (with deck chute up) (with deck chute down)	53" 65"	61" 73"
Cutting Width	52"	60"
Blade Length (3 per deck)	18 3/8"	21"
Cutting Height	1-1/2" to 5" (¼" increments)	
Weight (actual)	829#	839#
Standard Features	Hour Meter, Electric Start, Deluxe Adjustable Seat, Sewn Arm Rest, Cup Holder, Pivoting Front End, and Front Step	

Specifications subject to change without prior notice



PRODUCT MANUAL

CHALLENGER D510

Country Clipper Division

Shivvers Manufacturing, Inc.

613 W. English St.

Corydon, IA 50060-0467

Ph. 641-872-2544

Fax. 641-872-1593

P-13540 (Rev C - 4/22)