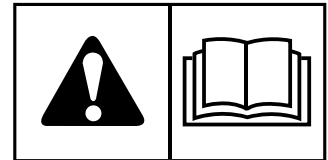


Simplicity[®]

OPERATOR'S MANUAL



Contender XT Series

Zero-Turn Riders

Mfg. No.	Description
5901742	ZT, 48", 25, SMI, Contender XT, Zero-Turn Rider with 48" Mower Deck
5901743	ZT, 52", 25, SMI, Contender XT, Zero-Turn Rider with 52" Mower Deck
5901744	ZT, 61", 25, SMI, Contender XT, Zero-Turn Rider with 61" Mower Deck

Table of Contents:

Products Covered by This Manual	3	Checking Tire Pressures.....	31
Identification Tag Location	3	Cutting and Rear Roller Bar Height Adjustment - 48" & 52" Decks.....	31
Product Identification Tag Decal	3	Cutting and Rear Roller Bar Height Adjustment - 61" Decks.....	32
Operator Safety	3	Foot Pedal Adjustment.....	34
Operating Safely.....	4	Operating the Seat Latch.....	34
Slope Identification Guide.....	6	Floor Pan Removal & Installation.....	35
Safety Rules and Information.....	6	Neutral Adjustment.....	35
Safety Decals.....	11	Return-to-Neutral Adjustment.....	35
Safety Icons.....	12	Neutral Lockout Adjustment.....	36
Safety Alert Symbol and Signal Words.....	12	Parking Brake Adjustment.....	36
Safety Interlock System.....	12	Deck Lift Rod Timing Adjustment.....	37
Features and Controls	13	Deck Leveling Adjustment.....	38
Control Functions and Locations.....	13	Deck Lift Assist Springs.....	39
Zero-Turn Rider Controls.....	13	Mower Deck Drive Belt Replacement.....	39
Instrument Control Panel.....	15	Transmission Drive Belt Replacement.....	41
Operation	16	Rear Suspension Adjustment.....	42
Before First Time Operation.....	16	Cleaning the Battery and Cables.....	43
Checks Before Starting.....	16	Battery Charging.....	43
Starting the Engine.....	17	Troubleshooting	43
Stopping the Rider.....	17	Troubleshooting Charts.....	44
Zero-Turn Driving Practice.....	17	Troubleshooting Common Cutting Problems.....	45
Mowing.....	19	Specifications	46
Mowing Recommendations.....	19	Warranty	46
Pushing the Rider by Hand.....	21	Warranty Statement.....	46
Raise and Lower the Roll Bar.....	21		
Attaching a Trailer.....	22		
Storage.....	22		
Maintenance Schedule	23		
Maintenance Procedures	23		
Service and Maintenance Safety.....	23		
Checking / Adding Fuel.....	23		
Replacing the Fuel Filter.....	24		
Check Engine Oil Level.....	24		
Changing the Engine Oil and Filter.....	24		
Engine Maintenance.....	24		
Inspect Muffler and Spark Arrester.....	24		
Fuse Location and Identification.....	25		
Check / Fill Transmission Oil Level.....	25		
Transmission Oil Filter Change.....	25		
Purging the Air from the Hydraulic System.....	26		
Lubrication.....	27		
Lubricate the Front Casters.....	27		
Servicing the Mower Blades.....	28		
Seat Adjustment.....	29		
Seat Adjustment (Suspension Adjustment).....	30		
Ground Speed Control Lever Adjustment.....	30		
Speed Balancing Adjustment.....	30		

Thank you for purchasing this quality-built Simplicity Consumer Zero Turn Mower. We're pleased that you've placed your confidence in the Simplicity brand. When operated and maintained according to the manuals, your Simplicity product will provide many years of dependable service.

The manuals contain safety information to make you aware of the hazards and risks associated with the unit and how to avoid them. This Consumer Zero Turn Mower was designed to be used as described in operator's manual and is not intended for any other purpose. It is important that you read and understand the instructions thoroughly before attempting to start or operate this equipment. Save these original instructions for future reference.

Products Covered by This Manual

The following products are covered by this manual:

5901742, 5901743, & 5901744

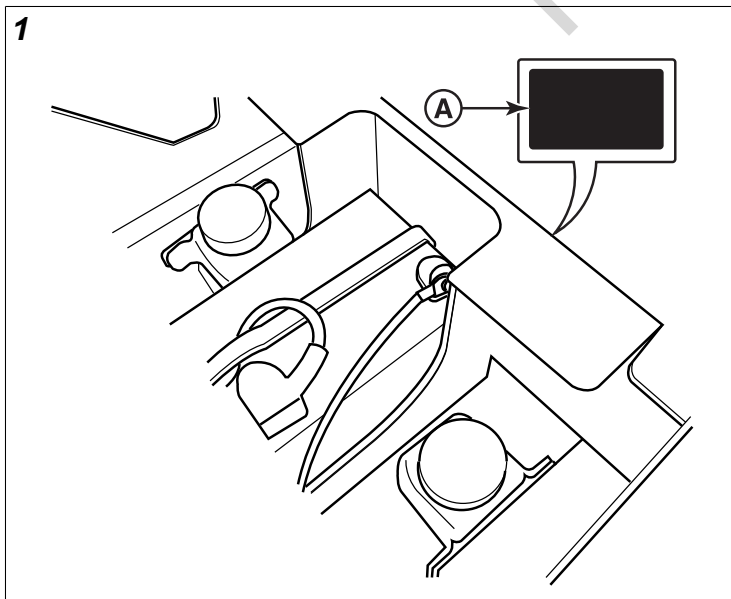
The images in this document are representative, and are meant to complement the instructional copy they accompany. Your unit may vary from the images displayed. *LEFT* and *RIGHT* are as seen from the operator's position.

SIMPLICITY is a registered trademark of Briggs & Stratton, LLC.

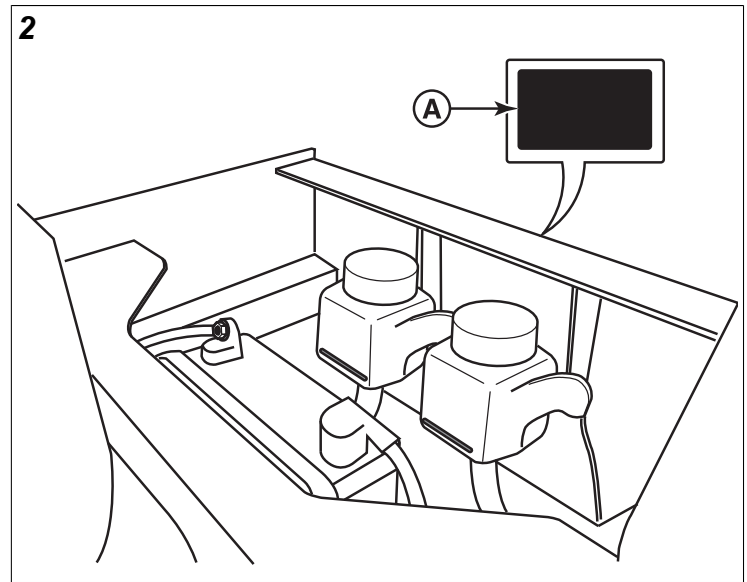
Identification Tag Location

The product identification tag (A, Figure 1 for models with 48" and 52" decks; Figure 2 for models with 61" mower decks) for the zero-turn riding mower can be found under the seat plate on the front of the battery compartment wall in the location shown.

Models with 48" & 52" Mower Decks:



Models with 61" Mower Decks:



Product Identification Tag Decal

Product Identification Tag	
	
Model / Modèle / Model	xxxxxxx
	
Serial / Série / Serie	xxxxxxxxxx
Briggs & Stratton, LLC Milwaukee, WI 53201 USA	

Product Model Number:	
Product Serial Number:	
Engine Model-Type Number:	
Engine Code/Serial Number:	
Date of Purchase:	
Purchase Location:	

When contacting your authorized dealer for replacement parts, service, or information you **MUST** have these numbers.

Record your model name/number, manufacturer's identification numbers, and engine serial numbers in the space provided for easy access. These numbers can be found in the locations shown.

The Illustrated Parts List for this machine can be downloaded from simplicitymfg.com. Please provide model and serial number when ordering replacement parts.

Operator Safety



WARNING

This product can expose you to chemicals including gasoline engine exhaust, which is known to the State of California to cause cancer, and carbon monoxide, which is known to the State of California to cause birth defects or other reproductive harm. For more information go to www.P65Warnings.ca.gov.

Operating Safely

Read these safety rules and follow them closely. Failure to obey these rules could result in loss of control of unit, severe personal injury or death to you, or bystanders, or damage to property or equipment. **This mowing deck is capable of amputating hands and feet and throwing objects.**

The safety alert triangle (⚠) in text signifies important cautions or warnings which must be followed.

Operating Safety



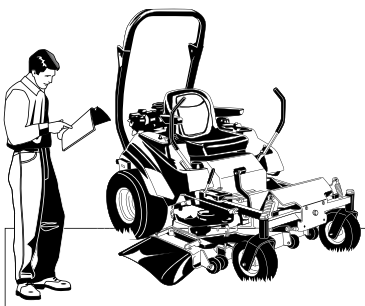
Congratulations on purchasing a superior-quality piece of lawn and garden equipment. Our products are designed and manufactured to meet or exceed all industry standards for safety.

Do not operate this machine unless you have been trained. Reading and understanding this operator's manual is a way to train yourself.

Power equipment is only as safe as the operator. If it is misused, or not properly maintained, it can be dangerous! Remember, you are responsible for your safety and that of those around you.

Use common sense, and think through what you are doing. If you are not sure that the task you are about to perform can be safely done with the equipment you have chosen, ask a professional: contact your local authorized dealer.

Read the Manual

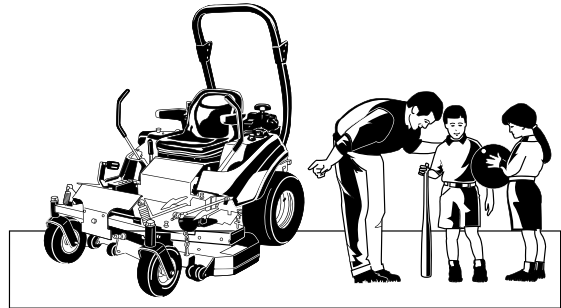


The operator's manual contains important safety information you need to be aware of **BEFORE** you operate your unit as well as **DURING** operation.

Safe operating techniques, an explanation of the product's features and controls, and maintenance information is included to help you get the most out of your equipment investment.

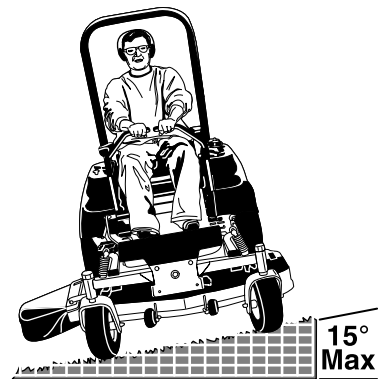
Be sure to completely read the Safety Rules and Information found on the following pages. Also completely read the Operation section.

Children



Tragic accidents can occur with children. Do not allow them anywhere near the area of operation. Children are often attracted to the unit and mowing activity. Never assume that children will remain where you last saw them. If there is a risk that children may enter the area where you are mowing, have another responsible adult watch them.

Slope Operation



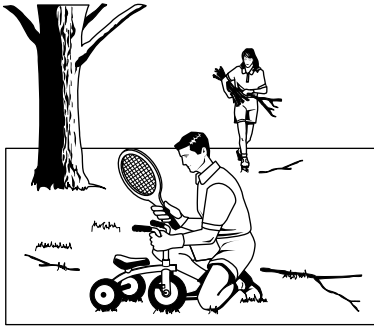
Operation on slopes can be dangerous. Using the unit on a slope that is too steep where you do not have adequate wheel traction (and control) can cause sliding, loss of steering, control, and possible rollover. You should not operate on a slope greater than 15 degrees (a 5.4 foot rise over a 20 foot length).

Avoid turning down slopes; if possible turn up slopes. Avoid sudden turns or rapid speed changes. Reduce speed and use extreme caution on ALL slopes.

Also, note that the surface condition you are on can greatly impact your ability to safely operate this machine. Operating on wet or slippery slopes can cause sliding and loss of steering and control. Do not operate on slopes that are slippery, wet, or have soft soil conditions.

If you feel unsure about operating the unit on a slope, don't do it. It's not worth the risk.

Thrown Objects



This unit has spinning mower blades. These blades can pick up and throw debris that could seriously injure a bystander. Be sure to clean up the area to be mowed and remove objects that could be thrown by the blade **BEFORE** you start mowing.

Do not operate this unit without the entire grass catcher or discharge guard (deflector) in place.

Also, do not allow anyone in the area while the unit is running! If someone does enter the area, shut the unit off immediately until they leave.

Moving Parts



This equipment has many moving parts that can injure you or someone else. However, if you stay in the operator zone (stay seated in the seat), and follow the safety rules in this operator's manual, the unit is safe to operate.

The mower deck has spinning mower blades that can amputate hands and feet. Do not allow anyone near the unit while it is running! Keep safety devices (guards, shields, and switches) in place and working.

To help you, the operator, use this equipment safely, it is equipped with an operator-present safety system. Do **NOT** attempt to alter or bypass the system. See your dealer immediately if the system does not pass all the safety interlock system tests found in this manual.

Roll Bar Use (For Models Equipped with a Rigid Roll Bar)



Keep the roll bar in position and fasten the seat belt. Do not jump off if the mower tips (it is safer to be secured by the seat belt.)

NEVER remove the roll bar.

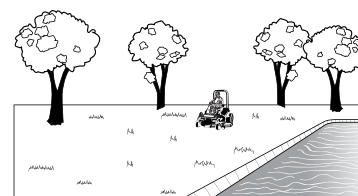
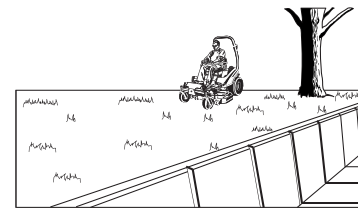
Roll Bar Use (For Models Equipped with a Folding Roll Bar)



Keep the roll bar in the raised position and fasten the seat belt. There is no roll over protection when the roll bar is down! Do not jump off if the mower tips (it is safer to be secured by the seat belt with the roll bar raised.)

Lower the roll bar only when necessary (such as to temporarily clear a low overhanging obstacle) and **NEVER** remove it. Do **NOT** use the seat belt when the roll bar is down. Raise the roll bar as soon as clearance permits.

Retaining Walls, Drop-Offs and Water

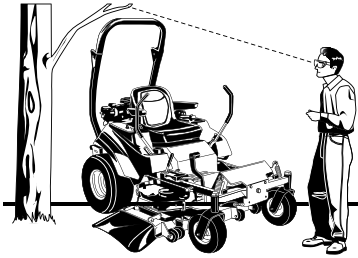


Retaining walls and drop-offs around steps and water are a common hazard. Do **NOT** operate down slope towards or near water, retaining walls, or drop-offs.

Give yourself a minimum of two mower widths of clearance around these hazards and hand-trim with a walk behind mower or string trimmer. Wheels dropping over retaining walls, edges, ditches, embankments, or into water can

cause rollovers, which may result in serious injury, death, or drowning.

Overhead Obstacles



Check for overhead clearances before driving under any objects. Do not allow the roll bar to contact low overhanging obstacles such as tree branches and guide wires.

Fuel and Maintenance



Always disengage all drives, shut off the engine, and remove the key before doing any cleaning, refueling, or servicing.

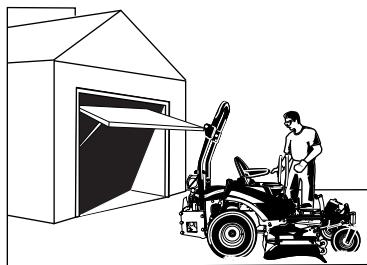
Gasoline and its vapors are extremely flammable. Do not smoke while operating or refueling. Do not add fuel while engine is hot or running. Allow engine to cool for at least 3 minutes prior to adding fuel.

Do not add fuel indoors, in an enclosed trailer, garage, or any other enclosed area that is not well ventilated. Gasoline spills should be cleaned up promptly and before operation begins.

Gasoline should be stored only in sealed containers approved for fuel.

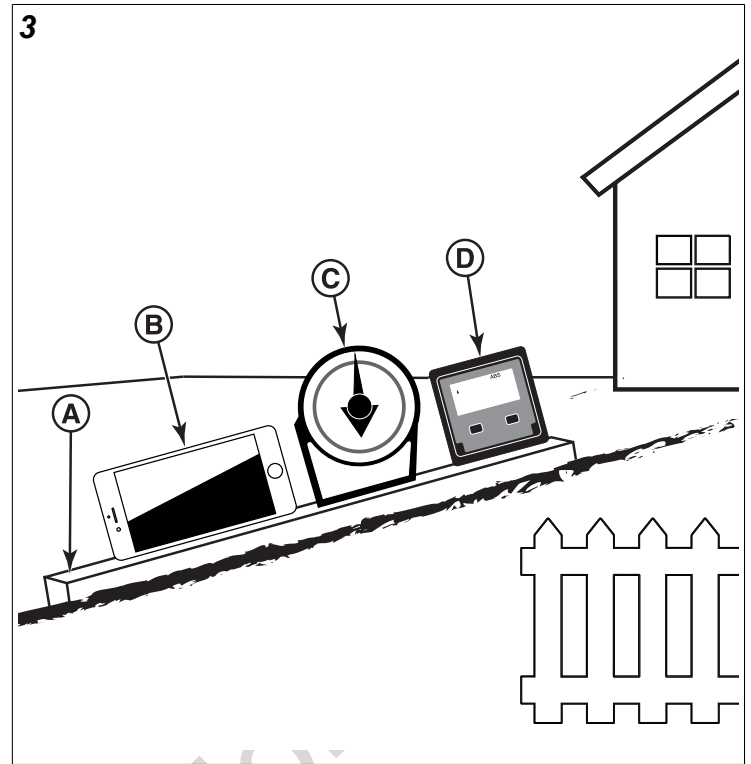
Proper maintenance is critical to the safety and performance of your unit. Keep the unit free of grass, leaves, and excess oil. Be sure to perform the maintenance procedures listed in this manual, especially periodically testing the safety system.

Enclosed Areas



Only operate this unit outdoors and away from unventilated areas such as inside garages or enclosed trailers. The engine emits poisonous carbon monoxide gas and prolonged exposure in an enclosed area can result in serious injury or death.

Slope Identification Guide



How to measure the slope of a lawn surface with a smartphone or an angle finder tool:

WARNING

Do not operate on slopes greater than 15 degrees.

1. Use a straight edge at least two (2) feet long (A, Figure 3). A 2x4 or a straight piece of metal works well.
2. Angle finder tools.
 - a. **Use your smartphone:** Many smartphones (B, Figure 3) have an inclinometer (angle finder) located under the compass application (app). Or, search an app store for an Inclinometer app.
 - b. **Use angle finder tools:** Angle finder tools (C and D, Figure 3) are available at local hardware stores or online (also called inclinometer, protractor, angle meter, or angle gauge). Dial type (C) or digital type (D) work, others may not. Read and obey the user instructions supplied with the angle finder tool.
3. Put the two (2) feet long straight edge along the steepest part of the lawn slope. Put the board up and down the slope.
4. Lay the smartphone or angle finder tool on the straight edge and read the angle in degrees. This is the slope of your lawn.

Note: A paper gauge slope identification guide is included in your product literature packet and is also available to download from the manufacturer's website.

Safety Rules and Information

Training

- Read, understand, and follow all instructions in the manual and on the unit before starting. If the operator(s) or mechanic(s) can not read English it is the owner's responsibility to explain this material to them.
- Become familiar with the safe operation of the equipment, operator controls, and safety signs.
- All operators and mechanics should be trained. The owner is responsible for training the users.
- Only allow responsible adults, who are familiar with the instructions, to operate the unit.
- Never let children or untrained people operate or service the equipment. Local regulations may restrict the age of the operator.
- The owner/user can prevent and is responsible for accidents or injuries occurring to themselves, other people or property.
- Data indicates that operators, age 60 years and above, are involved in a large percentage of riding mower-related injuries. These operators should evaluate their ability to operate the riding mower safely enough to protect themselves and others from serious injury.

Preparation

- Evaluate the terrain to determine what accessories and attachments are needed to properly and safely perform the job. Use only accessories and attachments approved by the manufacturer.
- Wear appropriate clothing including safety shoes, safety glasses and ear protection. Long hair, loose clothing or jewelry may get tangled in moving parts.
- Inspect the area where the equipment is to be used and remove all objects such as rocks, toys and wire, which can be thrown by the machine.
- Use extra care when handling gasoline and other fuels. They are flammable and vapors are explosive.
- Use only an approved container.
- Never remove fuel cap or add fuel with the engine running. Allow engine to cool before refueling. Do not smoke.
- Never refuel or drain the machine indoors.
- Check that operator's presence controls, safety switches and shields are attached and functioning properly. Do not operate unless they are functioning properly.

Operation

- Never run an engine in an enclosed area.
- Mow only in the daylight or with good artificial light, keeping away from holes and hidden hazards.
- Be sure all drives are in neutral and parking brake is engaged before starting engine. Only start engine from the operator's position. Use seat belts if provided.
- Be sure of your footing while using pedestrian controlled equipment, especially when backing up. Walk, don't run. Reduced footing could cause slipping.
- Slow down and use extra care on hillsides. Be sure to travel in the recommended direction on hillsides. Turf

conditions can affect the machines stability. Use caution when operating near drop-offs.

- Do not mow in reverse unless absolutely necessary. Always look down, behind and to the side before changing directions.
- Be aware of the mower discharge direction and do not point it at anyone. Do not operate the mower without either the entire grass catcher or the deflector in place.
- Slow down and use caution when making turns and when changing directions on slopes.
- Never raise deck with the blades running.
- Never leave a running unit unattended. Always disengage the PTO, set parking brake, stop engine, and remove keys before dismounting. Keep hands and feet away from the cutting units.
- Turn off the PTO switch to disengage the blades when not mowing.
- Never operate with guards not securely in place. Be sure all interlocks are attached, adjusted properly and functioning properly.
- Never operate with the discharge deflector raised, removed or altered, unless using a grass catcher.
- Do not change the engine governor setting or overspeed the engine.
- Stop on level ground, lower implements, disengage drives, engage parking brake, shut off engine before leaving the operator's position for any reason including emptying the grass catchers or unclogging the chute.
- Stop equipment and inspect blades after striking objects or abnormal vibration occurs. Make necessary repairs before resuming operations.
- Keep hands and feet away from the cutting units.
- Never carry passengers and keep pets and bystanders away.
- Do not operate the unit while under the influence of alcohol or drugs.
- Slow down and use caution when making turns and crossing roads and sidewalks. Stop blades if not mowing.
- Use care when loading or unloading the machine into a trailer or truck.
- Use care when approaching blind corners, shrubs, trees or other objects that may obscure vision.
- To reduce fire hazard, keep unit free of grass, leaves & excess oil. Do not stop or park over dry leaves, grass or combustible materials.



WARNING

It is a violation of California Public Resource Code, Section 4442, to use or operate the engine on any forest-covered, brush-covered or grass-covered land unless the exhaust system is equipped with a spark arrester, as defined in Section 4442, maintained in effective working order. Other states or federal jurisdictions may have similar laws. Contact an Authorized Service Dealer to obtain a spark arrester designed for the exhaust system installed on this engine.

- OSHA regulations may require the use of hearing protection when exposed to sound levels greater than 85 dBA for an 8 hour time period.



This machine produces sound levels in excess of 85 dBA at the operator's ear and can cause hearing loss through extended periods of exposure.

Wear hearing protection when operating this machine.

Slope Operation

Slopes are a major factor related to loss-of-control and tip-over accidents, which can result in severe injury or death. All slopes require extra caution. If you cannot back up the slope or if you feel uneasy on it, do not drive on it.



Do not use this machine on slopes greater than 15°.*

Select slow ground speed before driving onto slope. Use extra caution when operating on slopes with rear-mounted grass catchers.

Avoid turning down slopes; if possible turn up slopes. Use caution when changing direction and **DO NOT START OR STOP ON SLOPE.**

* This limit was determined per International Standard ISO 5395-3:2013, Section 4.6 and is based on the ISO 5395-3 Stability Test procedure described in Annex A. The 15 degree "limit of stability" is equal to 60% of the angle at which machine lift-off occurred in static tests. Actual dynamic stability may vary depending on operating conditions.

Do:

- Remove obstacles such as rocks, tree limbs, etc.
- Watch for holes, ruts, or bumps. Uneven terrain could overturn the unit. Tall grass can hide obstacles.
- Use slow speed. Choose a slow speed so that you will not have to stop or change speed while on the slope.
- Use extra care with grass catchers or other attachments. These can change the stability of the unit.
- Keep all movement on the slopes slow and gradual. Do not make sudden changes in speed or direction.
- See your authorized dealer for recommendations of available weights to improve stability.

Do NOT:

- Avoid starting, stopping, or turning on a slope. Do NOT make sudden changes in speed or direction, which could cause the mower to rollover.
- Do not mow down slope towards or near drop-offs, ditches, or embankments. The mower could suddenly turn over if a wheel is over the edge of a cliff or ditch, or if an edge caves in. Give yourself a minimum of two mower widths of clearance around these hazards.
- Do not mow on wet grass. Reduced footing or traction could cause sliding.
- Do not try to stabilize the unit by putting your foot on the ground. (ride-on units).
- Do not mow excessively steep slopes.

- Do not use grass catcher on steep slopes.
- Do not mow slopes if you cannot back up them.

Towed Equipment (Ride-On Units)

- Tow only with a machine that has a hitch designed for towing. Do not attach towed equipment except at the hitch point.
- Follow the manufacturer's recommendations for weight limit for towed equipment and towing on slopes. See attaching a trailer under OPERATION.
- Never allow children or others in or on towed equipment.
- On slopes, the weight of the towed equipment may cause loss of traction and loss of control.
- Travel slowly and allow extra distance to stop.
- Do not shift to neutral and coast down hill.

Children

Tragic accidents can occur if the operator is not alert to the presence of children. Children are often attracted to the unit and the mowing activity. Never assume that children will remain where you last saw them.

- Keep children out of the mowing area and under the watchful care of another responsible adult.
- Be alert and turn unit off if children enter the area.
- Before and during reverse operation, look behind and down for small children.
- Never carry children, even with the blade(s) off. They may fall off and be seriously injured or interfere with safe unit operation. Children who have been given rides in the past may suddenly appear in the mowing area for another ride and be run over or backed over by the machine.
- Never allow children to operate the unit.
- Use extra care when approaching blind corners, shrubs, trees, or other objects that may obscure vision.

Emissions

- Engine exhaust from this product contains chemicals known, in certain quantities, to cause cancer, birth defects, or other reproductive harm.
- Look for the relevant Emissions Durability Period and Air Index information on the engine emissions label.

Service and Maintenance

To avoid personal injury or property damage, use extreme care in handling gasoline. Gasoline is extremely flammable and the vapors are explosive.

Safe Handling of Gasoline

- Extinguish all cigarettes, cigars, pipes, and other sources of ignition.
- Use only approved gasoline containers.
- Never remove the gas cap or add fuel with the engine running. Allow the engine to cool before refueling.
- Never fuel the machine indoors.
- Never store the machine or fuel container where there is an open flame, spark, or pilot light such as near a water heater or other appliance.

- Never fill containers inside a vehicle or on a truck bed with a plastic bed liner. Always place containers on the ground away from your vehicle before filling.
- Remove gas-powered equipment from the truck or trailer and refuel it on the ground. If this is not possible, then refuel such equipment on a trailer with a portable container, rather than from a gasoline dispenser nozzle.
- Keep nozzle in contact with the rim of the fuel tank or container opening at all times until fueling is complete. Do not use a nozzle lock-open device.
- If fuel is spilled on clothing, change clothing immediately.
- Never over-fill the fuel tank. Replace gas cap and tighten securely.
- Use extra care in handling gasoline and other fuels. They are flammable and vapors are explosive.
- If fuel is spilled, do not attempt to start the engine but move the machine away from the area of spillage and avoid creating any source of ignition until fuel vapors have dissipated.
- Replace all fuel tank caps and fuel container caps securely.

Maintenance and Storage

- Always observe safe refueling and fuel handling practices when refueling the unit after transportation or storage.
- Always follow the engine manual instructions for storage preparations before storing the unit for both short and long term periods.
- Always follow the engine manual instructions for proper start-up procedures when returning the unit to service.
- Never store the machine or fuel container inside where there is an open flame, such as in a water heater. Allow unit to cool before storing.
- Shut off fuel while storing or transporting. Do not store fuel near flames or drain indoors.
- Keep all hardware, especially blade attachment bolts, tight and keep all parts in good working condition. Replace all worn or damaged decals.
- Never tamper with safety devices. Check their proper operation regularly.
- Disengage drives, lower implement, set parking brake, stop engine and remove key or disconnect spark plug wire. Wait for all movement to stop before adjusting, cleaning or repairing.
- Clean grass and debris from cutting units, drives, mufflers, and engine to prevent fires. Clean up oil or fuel spillage.
- Let engine cool before storing and do not store near flame.
- Stop and inspect the equipment if you strike an object. Repair, if necessary, before restarting.
- Park machine on level ground. Never allow untrained personnel to service machine.
- Use jack stands to support components when required.
- Carefully release pressure from components with stored energy.
- Disconnect battery or remove spark plug wire before making any repairs. Disconnect the negative terminal

first and the positive last. Reconnect positive first and negative last.

- Use care when checking blades. Wrap the blade(s) or wear gloves, and use caution when servicing them. Only replace blades. Never straighten or weld them.
- Keep hands and feet away from moving parts. If possible, do not make adjustments with the engine running.
- Charge batteries in an open well ventilated area, away from spark and flames. Unplug charger before connecting or disconnecting from battery. Wear protective clothes and use insulated tools.
- Grass catcher components are subject to wear, damage, and deterioration, which could expose moving parts or allow objects to be thrown. Frequently check components and replace with manufacturer's recommended parts, when necessary.
- Check brake operation frequently. Adjust and service as required.
- Use only factory authorized replacement parts when making repairs.
- Always comply with factory specifications on all settings and adjustments.
- Only authorized service locations should be utilized for major service and repair requirements.
- Never attempt to make major repairs on this unit unless you have been properly trained. Improper service procedures can result in hazardous operation, equipment damage and voiding of manufacturer's warranty.



WARNING

Units with hydraulic pumps, hoses, or motors: Hydraulic fluid escaping under pressure may have sufficient force to penetrate skin and cause serious injury. If foreign fluid is injected into the skin it must be surgically removed within a few hours by a doctor familiar with this form of injury or gangrene may result. Keep body and hands away from pin holes or nozzles that eject hydraulic fluid under high pressure. Use paper or cardboard, and not hands, to search for leaks. Make sure all hydraulic fluid connections are tight and all hydraulic hoses and lines are in good condition before applying pressure to the system. If leaks occur, have the unit serviced immediately by your authorized dealer.



WARNING

Stored energy device. Improper release of springs can result in serious personal injury. Springs should be removed by an authorized technician.



WARNING

Units equipped with an engine radiator: Stored energy device. To prevent serious bodily injury from hot coolant or steam blow-out, never attempt to remove the radiator cap while the engine is running. Stop the engine and wait until it is cool. Even then, use extreme care when removing the cap.

Roll Bar Instructions

For models equipped with factory-installed Roll Over Protection System (ROPS).



WARNING

In order to avoid serious injury or death from roll over, it is important to follow the warnings listed below.

Operational Warnings

(Specific to Units Equipped with a Rigid Roll Bar):

- Always use the seat belt when the roll bar is in position.

(Specific to Units Equipped with a Folding Roll Bar):

- Always use the seat belt when the roll bar is in the raised position.
- Never use the seat belt when the roll bar is in the down position.
- Remember there is no roll over protection when the roll bar is in the down position so it is very important to always keep the roll bar in the raised position whenever possible.
- Lower the roll bar to the down position only when it is absolutely necessary.

(All Models):

- Check for overhead clearances before driving under any objects. Do not allow roll bar to contact low overhanging obstacles such as tree branches and guide wires.
- Never remove the roll bar from the vehicle.
- Do not exceed the machine weight rating of the roll bar.
- Read and follow all of the instructions shown below regarding the inspection and maintenance of the roll bar structure and the seat belt.

Inspection of the Roll Bar Protective Structure



WARNING

Failure to properly inspect and maintain the ROLL BAR protective structure can cause serious injury or death.

A ROLL BAR, like any other safety device, needs to be periodically inspected to verify that the integrity of the device has not been compromised through normal machine use, misuse, age degradation, modifications, or a roll over.

To maintain operator roll over protection and roll bar effectiveness:

- If a ROLL BAR becomes damaged for any reason, such as a collision, roll over, or impact, the ROLL BAR must be replaced. Small undetectable cracks can reduce the effectiveness of the ROLL BAR. Never weld, straighten, or repair the ROLL BAR.
- Never alter the ROLL BAR by welding anything to it or by drilling additional holes.
- BEFORE FIRST TIME USE - Inspect the ROLL BAR structure and mounting hardware for:
 - 1) Check to make sure the machine GVW (Gross Vehicle Weight), including attachments, restrained payload, fuel

and operator, is not in excess of the maximum weight specified on the ROLL BAR label.

2) Make sure there isn't any missing, damaged, or loose mounting hardware.

3) Make sure the ROLL BAR has been correctly and completely installed.

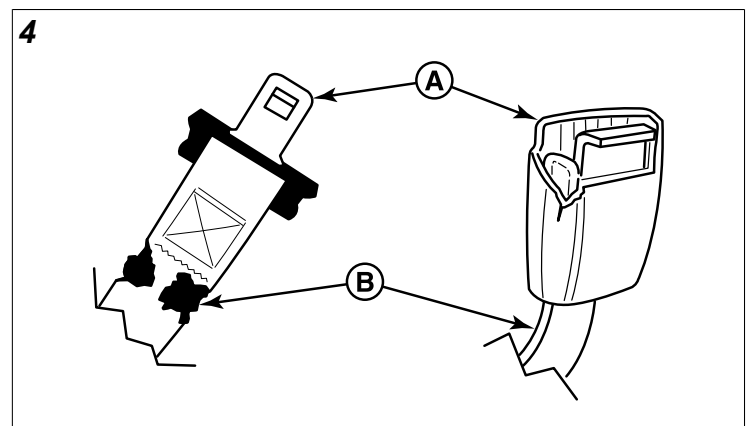
- EVERY 100 HOURS - Inspect the ROLL BAR structure and mounting hardware for:
 - 1) Any cracks in the structure (structural members and/or welds).
 - 2) Significant corrosion on any part of the ROLL BAR structure or hardware.
 - 3) Missing, damaged, or loose mounting hardware.
 - 4) Mounting hardware that is of a grade less than specified.
 - 5) Machine GVW (Gross Vehicle Weight), including attachments, restrained payload, fuel, and operator, in excess of the maximum weight specified on the ROLL BAR label.
 - 6) Any modifications that have been made, such as unauthorized welds and holes.
 - 7) Any permanent deformation or twisting of the ROLL BAR structure.
 - 8) That the ROLL BAR label is still in place and is readable.
 - 9) That the ROLL BAR on-product warning labels are still on the ROLL BAR and are readable.
- If there is any doubt as to the condition of the ROLL BAR, remove the machine from service and contact your dealer for assistance.

Inspection and Maintenance of the Roll Bar Seat Belt



WARNING

Failure to properly inspect and maintain the seat belt can cause serious injury or death.



- The seat belt like the ROLL BAR, needs to be periodically inspected to verify that the integrity has not

been compromised through normal machine use, misuse, age degradation, modifications, or a roll over. If the seat belt does not pass all of the following tests, it should be replaced.

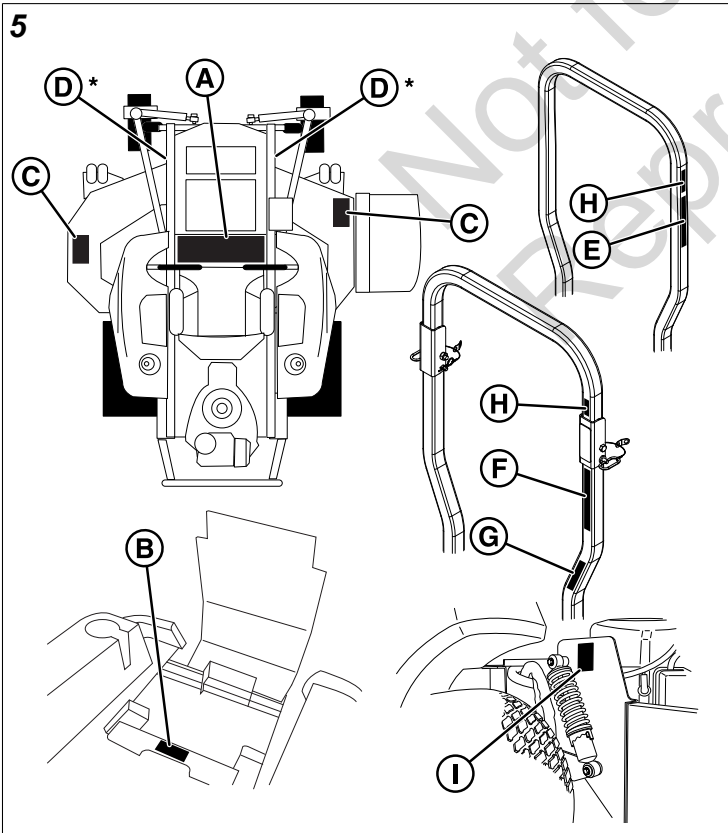
- **BEFORE EACH USE** – Conduct the following inspections/maintenance of the seat belt and retraction mechanism:
 - 1) Check for dirt or debris in the retraction mechanism. If dirt or debris is found, it should be removed.
 - 2) Check to make sure the retraction mechanism retracts easily and completely.
 - 3) Check for damage to any part of the seat belt (A, Figure 4) such as nicks, cuts, loose stitching, or fraying.
 - 4) Check that the buckle and latch (B) operate properly and that the latch plate is not excessively worn, deformed, or the buckle is damaged or cracked. The seat belt should latch and release easily.

Safety Decals

Read the safety decals before operating your unit. The cautions and warnings are for your safety. Understand and follow all safety decals to avoid a personal injury or damage to the unit.

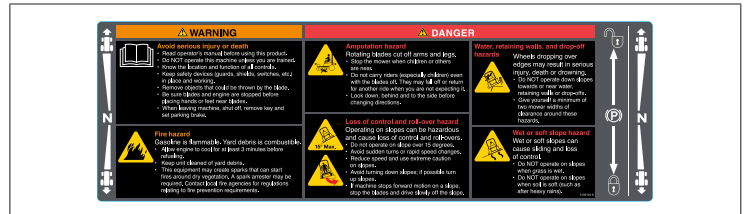


WARNING
If any safety decals become worn or damaged and cannot be read, order replacement decals from your local dealer.



*Decal is only used on models with 61" mower decks.

A.) Part Number: 84006556 - Decal, Main Safety



B.) Part Number: 5103184YP - Warning, Hand in Belt



C.) Part Number: 7101665YP - Decal, Danger Do Not Operator w/o Deflector



D.) Part No: 5061245SM - Decal, Pinch Point



E.) Part No.: 5100935YP - Decal, Warning & Caution ROPS

F.) Part No.: 5104082YP - Decal, Warning, Folding Roll Bar

⚠ WARNING




AVOID SERIOUS INJURY OR DEATH FROM ROLL OVER:
Do NOT jump off if mower tips.
Read and follow all operating instructions and warnings in the operator's manual.
Keep roll bar in position and use seat belt.
Never remove roll bar.

⚠ CAUTION

ROLL OVER PROTECTIVE STRUCTURE

To maintain operator protection and roll bar certification:
Replace a damaged roll bar, do NOT attempt to repair or modify.
Any alteration of the roll bar must be approved by the manufacturer.
DO NOT exceed the machine weight rating of the roll bar.

⚠ WARNING



AVOID SERIOUS INJURY OR DEATH FROM ROLL OVER:
Keep roll bar in the raised position and use seat belt.
THERE IS NO ROLL OVER PROTECTION WHEN THE ROLL BAR IS DOWN
Lower the roll bar only when necessary and NEVER remove it.
Do NOT use seat belt when the roll bar is down.
Raise the roll bar as soon as clearance permits.
Do NOT jump off if mower tips.
Read and follow all operating instructions and warnings in the operator's manual.

G.) Part No.: 5104083YP - Decal, Caution, Folding Roll Bar

⚠ CAUTION


ROLL OVER PROTECTIVE STRUCTURE

To maintain operator protection and roll bar certification:
Replace a damaged roll bar, do NOT attempt to repair or modify.
Any alteration of the roll bar must be approved by the manufacturer.
DO NOT exceed the machine weight rating of the roll bar.

3-18427

H.) Part No.: 5100405YP - Decal, Warning Overhang

⚠ WARNING



LOW OVERHANGING OBSTACLES HAZARD

Check for overhead clearances before driving under any objects. Do NOT allow roll bar to contact low overhanging obstacles, such as tree branches and guide wires.

3-18481

I.) Part No.: 5100683SM - Decal, Warning, Roll Bar


















⚠ WARNING

Avoid serious injury or death from rollover. Do not operate without the roll bar installed and operational.





100003


Safety Icons


		Alert	
	Read the manual		Avoid turning down slopes, if possible, turn up slopes
	Fire hazard		Dropoffs
	Keep children away		Slippery slopes
	Maximum slope angle for safe operation 15° Max.		Amputation - Rotating parts
	Amputation - Hand in blade		Amputation - Foot in blade
	Thrown objects		Pinch point
	Rollover hazard		Overhead obstacles
	Keep roll bar installed		

Safety Alert Symbol and Signal Words

The safety alert symbol  identifies safety information about hazards that can result in personal injury. A signal word (**DANGER**, **WARNING**, or **CAUTION**) is used with the alert symbol to indicate the likelihood and the potential severity of injury. In addition, a hazard symbol may be used to represent the type of hazard.

 **DANGER** indicates a hazard which, if not avoided, will result in death or serious injury.

 **WARNING** indicates a hazard which, if not avoided, could result in death or serious injury.

 **CAUTION** indicates a hazard which, if not avoided, could result in minor or moderate injury.

NOTICE indicates information considered important but not hazard-related.

Safety Interlock System

This unit is equipped with safety interlock switches. These safety systems are present for your safety, do not attempt

to bypass safety switches, and never tamper with safety devices. Check their operation regularly.

Operational SAFETY Checks

Test 1 - Engine SHOULD NOT crank if:

- PTO switch is engaged, OR
- Parking brake is not engaged.

Test 2 - Engine SHOULD crank if:

- PTO switch is not engaged, AND
- Parking brake is engaged.

Test 3 - Engine should SHUT OFF if:

- Operator rises off seat with PTO engaged, OR
- Operator rises off seat with parking brake disengaged.

Test 4 - Blade Brake Check

Mower blades and mower drive belt should come to a complete stop within five (5) seconds after electric PTO switch is turned off (or operator rises off seat). If mower drive belt does not stop within five (5) seconds, see your authorized dealer.

NOTE: Once the engine has stopped, PTO switch must be turned off, parking brake must be engaged, and the ground speed control levers must be locked in the NEUTRAL position after the operator returns to the seat in order to start the engine.



WARNING

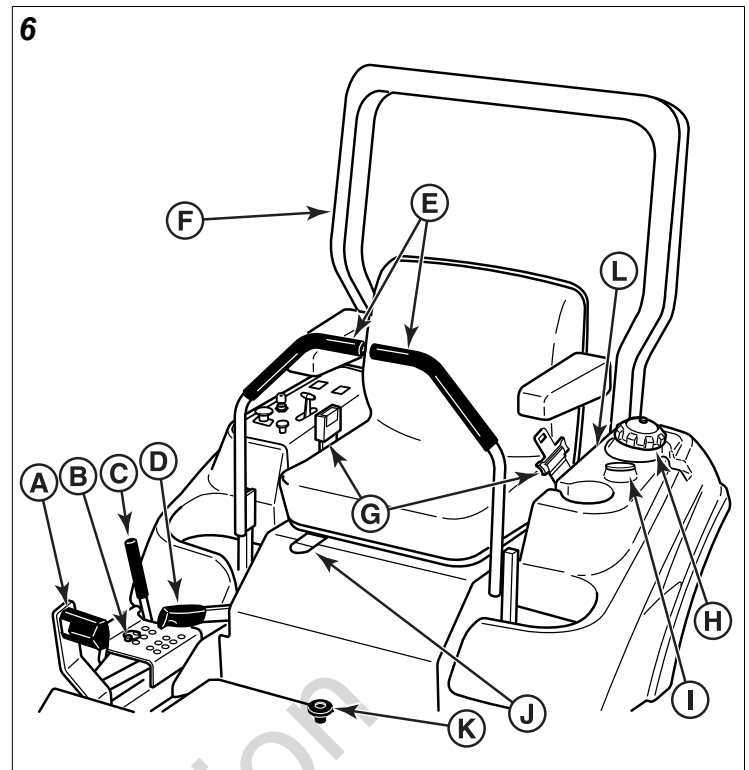
If the unit does not pass a safety test, do not operate it. See your authorized dealer. Under no circumstance should you attempt to defeat the purpose of safety interlock system.

Features and Controls

Control Functions and Locations

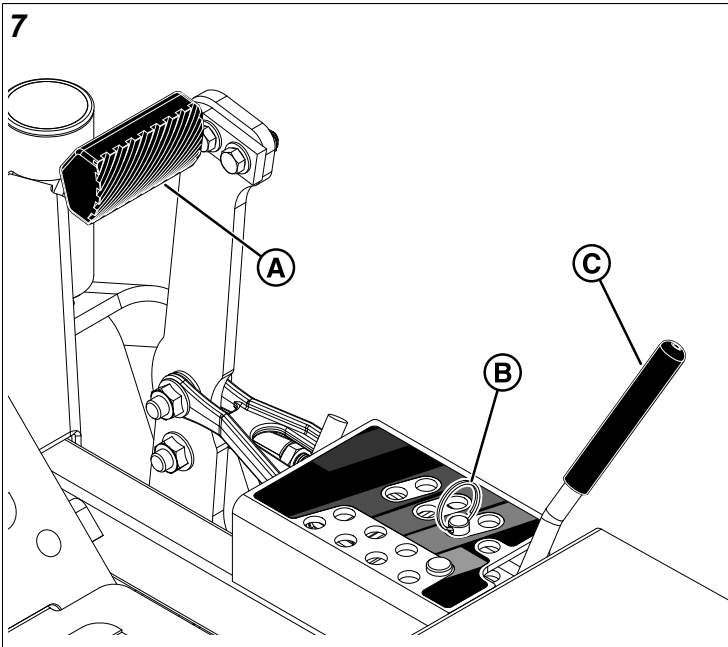
The information below briefly describes the function of individual controls. Starting, stopping, driving, and mowing require the combined use of several controls applied in specific sequences. To learn what combination and sequence of controls to use for various tasks see the *Operation* section.

Zero-Turn Rider Controls



Callout	Control Name
A	Deck Lift Pedal
B	Cutting Height Adjustment Pin
C	Deck Lift Lock Lever
D	Parking Brake
E	Ground Speed Control Levers
F	Roll Bar
G	Retractable Seat Belt
H	Fuel Tank Cap
I	Fuel Level Gauge
J	Seat Adjustment Lever
K	Removable Floor Plate
L	Transmission Release Levers (One per transmission)
M	Transmission Oil Fill / Tanks (One per transmission)
N	Seat Latch (If Equipped)

Deck Lift Pedal, Cutting Height Adjustment Pin & Deck Lift Lock Lever: The deck lift pedal (A, Figure 7), the cutting height adjustment pin (B), and the deck lift lock lever (C) are used together to control the cutting height of the mower deck. See *Cutting Height Adjustment* for instructions on using these controls.



	Cutting Height Adjustment
	Storage Hole for Cutting Height Adjustment Pin
	Deck Lift Lock Lever

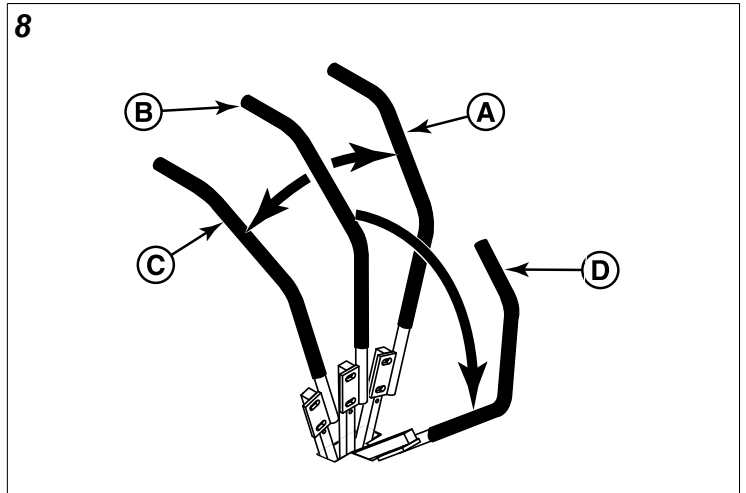
P **Parking Brake:** Pull the parking brake lever up and back to engage the parking brake. Move the lever fully forward and down to disengage the parking brake.

Note: To start the unit the parking brake must be engaged.

Engaging the parking brake locks the ground speed control levers in the NEUTRAL position. The parking brake must be disengaged before moving the ground speed control levers out of the NEUTRAL position.

	DISENGAGE: Releases the parking brake.
	ENGAGE: Locks the parking brake.

Ground Speed Control Levers: These levers control the ground speed and direction of the rider. The left lever controls the left rear drive wheel and the right lever controls the right rear drive wheel.



	FORWARD
	NEUTRAL
	REVERSE
N/A	NEUTRAL LOCKOUT POSITION

The parking brake must be disengaged before attempting to move the ground speed control levers from the NEUTRAL position.

Moving a lever forward (A) from the NEUTRAL position (B) increases the FORWARD speed of the associated wheel, and pulling back (C) on a lever increases the REVERSE speed.

Moving a levers outwards (D) from the NEUTRAL position locks the levers in the NEUTRAL LOCKOUT position.

Note: The further a lever is moved away from the neutral position the faster the drive wheel will turn.

See the *Zero-Turn Driving Practice* section for steering instructions.

Retractable Seat Belt: The seat belt is used to secure the operator to the seat.

(Specific to models with a rigid Roll Bar):

The seat belt should **always** be worn when using this equipment with a Roll Bar.

(Specific to models with a folding Roll Bar):

The seat belt should **always** be worn when the Roll Bar is in the raised position. The seat belt should never be worn when the Roll Bar is in the down position.

Fuel Tank Cap: To remove the cap, turn **counter-clockwise**.




Fuel Level Gauge: Displays the fuel level in the tank.

Seat Adjustment Lever: The seat can be adjusted forward and back. Move the lever towards the left, position the seat as desired, and release the lever to lock the seat in position.

Removable Floor Plate: The floor plate can be removed for easy access to the mower deck. To remove the plate, remove the retainer hardware and tilt the floor pan up and then remove from the machine. Reverse the process for re-installation.

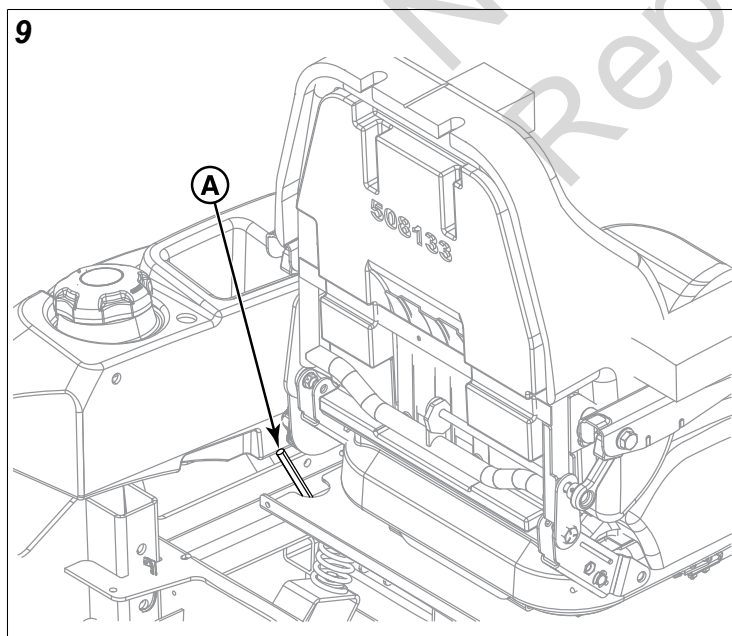
Transmission Oil Fill: Transmission oil is added through the hydraulic oil tanks. It also serves as extra holding capacity for oil as the transmissions heat up and the hydraulic oil expands. See *Check / Fill Transmission Oil* for oil level check and fill procedures.

Transmission Release Levers:

Icon	Control Name
	Transmission Release Levers

Each transmission is equipped with a transmission release lever. These levers deactivate the transmissions so that the unit can be pushed by hand. Both transmission release levers must be in the same position whether you are driving the unit or pushing it by hand. See *Pushing the Unit by Hand* for operational information and control location.

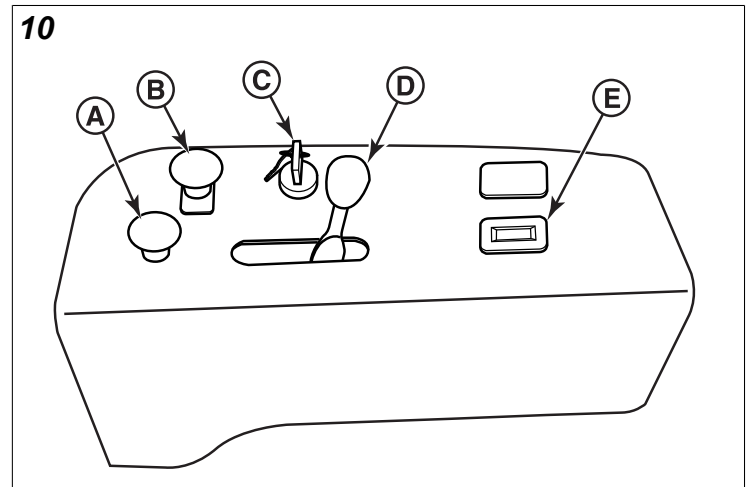
Seat Latch: The seat latch (A, Figure 9) secures the seat plate to the frame of the unit



To raise the seat plate, release the latch by moving the seat latch towards the front of the unit and then raise the seat plate.



The seat latch is spring loaded. When the seat plate is lowered back into place the seat latch will lock the seat plate into place.


Instrument Control Panel




Callout	Control Name
A	Choke
B	PTO (Power Take Off) Switch
C	Ignition Switch
D	Throttle Control
E	Hour Meter




Throttle Control: The throttle controls engine speed. Move the throttle forward to increase engine speed and back to decrease engine speed. Always operate at FULL throttle when mowing.

	Fast throttle speed.
	Slow throttle speed.

 **Choke:** Close the choke for cold starting. Open the choke once the engine starts. A warm engine may not require choking. Pull the knob UP to close the choke. Push the knob DOWN to open the choke.

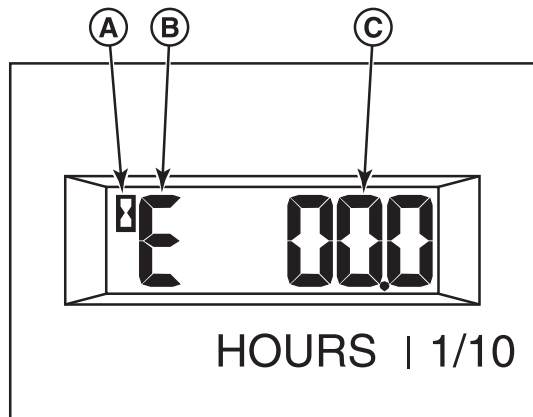
 **PTO (Power Take Off) Switch:** The PTO switch engages and disengages the mower blades. Pull UP on the switch to engage, and push DOWN to disengage.

Ignition Switch: The ignition switch starts and stops the engine, it has three positions:

	OFF: Stops the engine and shuts off the electrical system.
	RUN: Allows the engine to run and powers the electrical system.
	START: Cranks the engine for starting.

Note: Never leave the ignition switch in the RUN position with the engine stopped—this drains the battery.

Hour Meter: This unit is equipped with a dual function hour meter that records the number of hours that the engine has run and the number of hours that the PTO switch has been engaged.



"A" - Hour Glass Icon - The hour glass icon flashes when the hour meter is recording the passage of time.

"B" - Mode Icon - The mode icon will display an "E" when displaying engine hours, and a "P" when displaying PTO hours.

"C" - Time Display - This is the number of hours that are recorded.

The default display of the hour meter is engine hours. The mode icon will display a "E" and the hour glass icon will not flash.

To begin recording engine hours, start the unit's engine and release the parking brake. The hour glass icon will flash.

To begin recording PTO hours, pull the PTO switch up to engage the PTO clutch. The unit's engine must be running. The mode icon will display a "P" and the hour glass icon will flash.

While recording PTO hours, the hour meter also records engine hours; however, the hour meter only displays PTO hours when recording PTO hours.

To stop recording PTO hours, push the PTO switch down to disengage the PTO clutch.

To stop recording engine hours, engage the parking brake.

The hour meter has a self contained power source so that the recorded hours are always visible even when the engine is OFF.

Operation

Before First Time Operation

- Be sure to read all information in the Safety and Operation sections before attempting to operate this tractor and mower.

- Become familiar with all of the controls and how to stop the unit.
- Drive in an open area without mowing to become accustomed to the unit.



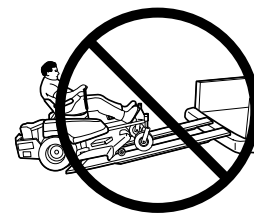
- Never operate on slopes greater than 15°.
- Select slow ground speed before driving onto a slope. Use extra caution when operating on slopes with a rear-mounted grass catcher.
- Avoid turning down slopes; if possible turn up slopes. Use caution when changing direction on slopes and **do NOT start or stop on a slope.**



- Never allow passengers to ride on the unit.
- Before leaving the operator's position for any reason, engage the parking brake, disengage the PTO, stop the engine and remove the key.
- To reduce fire hazard, keep the engine, rider and mower free of grass, leaves and excess grease. Do NOT stop or park rider over dry leaves, grass or combustible materials.
- Fuel is highly flammable and must be handled with care. Never fill the tank when the engine is still hot from recent operation. Do NOT allow open flame, smoking or matches in the area. Avoid over-filling and wipe up any spills.



Do NOT load this zero-turn rider on a trailer or truck using two separate ramps. Only use a single ramp that is at least one foot wider than the width of the rear wheels of this rider. This rider has a zero turning radius and the rear wheels could fall off the ramps, or the rider could tip over injuring the operator or bystanders.



Checks Before Starting

- Check that the crankcase is filled to the full mark on the crankcase oil fill and dipstick. If necessary, add oil through the engine oil fill. See the engine Operator's manual for instructions, engine oil dipstick location and oil recommendations.
- Make sure all nuts, bolts, screws and pins are in place and tight.
- Adjust the seat position, and make certain you can reach all the controls from operator's position.

- Fill the fuel tank with fresh fuel. Refer to engine manual for fuel recommendations.
- Check the hydraulic oil level.

Starting the Engine



WARNING

- If you do not understand how a specific control functions, or have not yet thoroughly read the *Features & Controls* section, do so now.
 - Do NOT attempt to operate the tractor without first becoming familiar with the location and function of all controls.
1. While sitting in the operator's seat, engage the parking brake and make sure the PTO switch is disengaged and the ground speed control levers are locked in the neutral position.
 2. **A warm engine may not require choking.** Set the engine throttle control to FAST throttle position. Then fully close the choke by pulling the knob OUT fully.
 3. Insert the key into the ignition switch and turn it to START.
 4. After the engine starts, gradually open the choke (push knob down fully). Reduce to half throttle speed and allow engine to warm. *Warm up the engine by running it for at least a minute before engaging the PTO switch or driving the rider.*
 5. After warming the engine always operate the unit at FULL throttle when mowing.

In the event of an emergency the engine can be stopped by simply turning the ignition switch to STOP. Use this method only in emergency situations. For normal engine shut down follow the procedure given in *Stopping the Rider*.

Stopping the Rider

1. Returning the ground speed control levers to the middle position will stop rider movement. Pivot the levers outward and lock them in NEUTRAL.
2. Disengage the PTO by pushing down on the PTO switch.
3. Engage the parking brake by pulling the handle up until it locks into position.
4. Move the throttle control to mid-throttle position and turn the ignition key to OFF. Remove the key.

Zero-Turn Driving Practice

The lever controls of the Zero Turn rider are responsive, and learning to gain a smooth and efficient control of the rider's forward, reverse, and turning movements will take some practice.

Spending some time going through the maneuvers shown and becoming familiar with how the unit accelerates, travels, and steers — before you begin mowing — is absolutely essential to getting the most out of the Zero Turn rider.

Locate a smooth, flat area of your lawn — one with plenty of room to maneuver. (Clear the area of objects, people and animals before you begin.) Operate the unit at mid-throttle during this practice session (ALWAYS operate at full throttle when mowing), and turn slowly to prevent tire slippage and damage to your lawn.

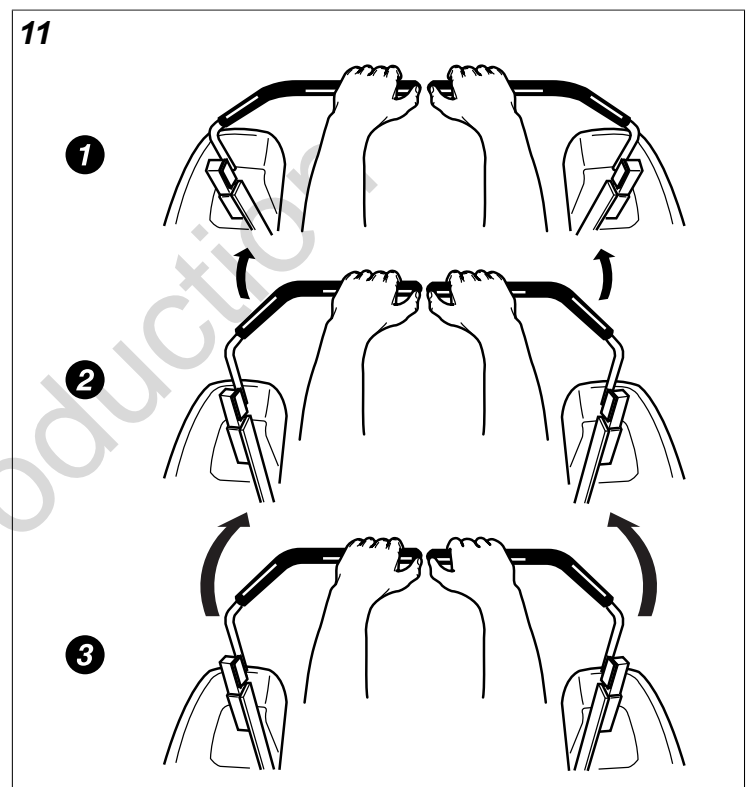
We suggest you begin with the Smooth Travel procedure to the right, and then advance through the forward, reverse, and turning maneuvers.

You must release the parking brake prior to moving the control levers inward.

Smooth Travel

The lever controls of the Zero Turn rider are responsive.

The BEST method of handling the ground speed control levers is in three steps — as shown in Figure 11.



FIRST place your hands onto the levers as shown.

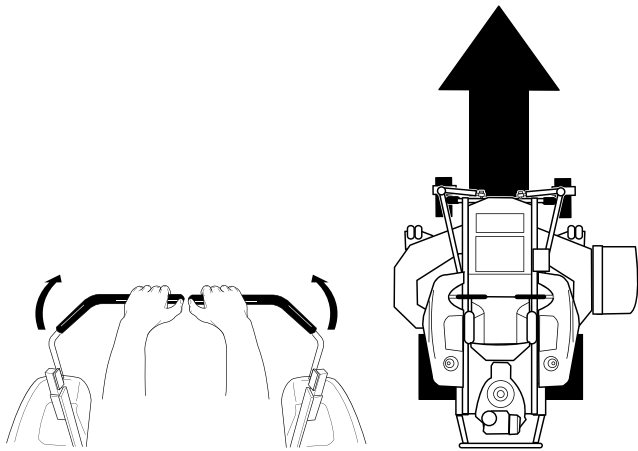
SECOND, to go forward gradually push the levers forward with your palms.

THIRD, to speed up move the levers farther forward. To slow down smoothly, slowly move the levers toward neutral.

Basic Driving

Forward Travel Practice

12

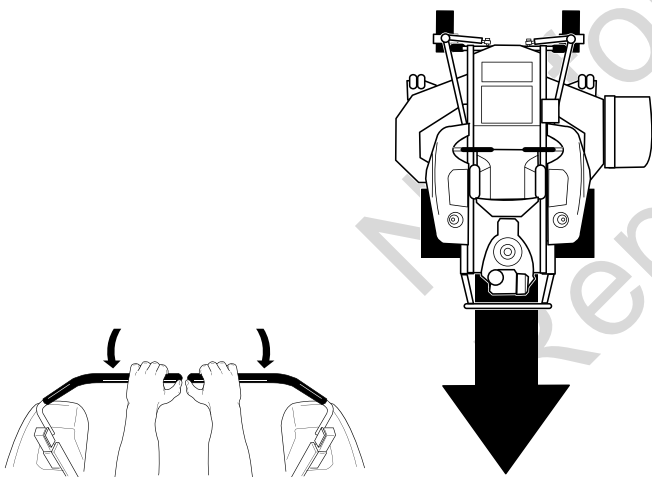


Gradually move both ground speed control levers — evenly FORWARD from neutral. Slow down and repeat.

NOTE: Straight forward travel takes practice. If necessary, top speed can be balance-adjusted — see the Speed Balancing Adjustment in the Adjustments section near the back of this manual.

Reverse Travel Practice

13

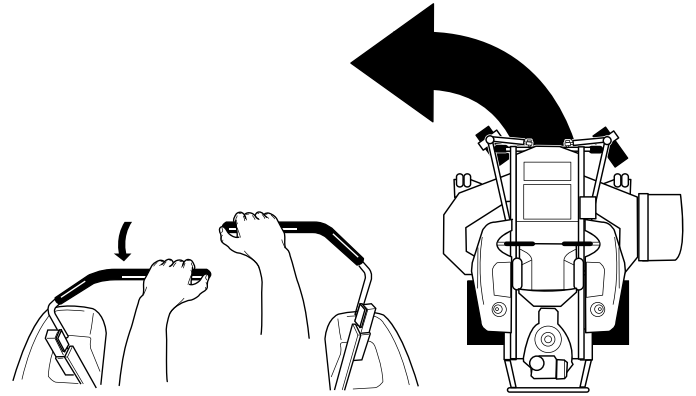


LOOK DOWN & BEHIND, then gradually move both ground speed control levers evenly BACK from neutral. Slow down and repeat.

NOTE: Practice backing up for several minutes before attempting to do so near objects. The rider turns sharply in reverse as well as forward, and backing up straight takes practice.

Practice Turning Around A Corner

14

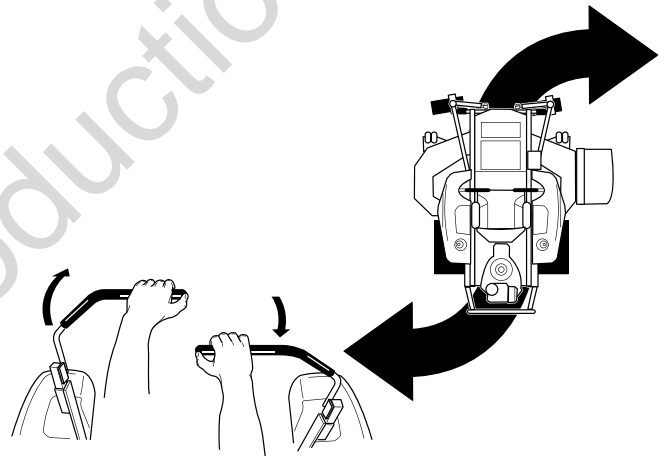


While traveling forward allow one handle to gradually return back toward neutral. Repeat several times.

NOTE: To prevent pivoting directly on the tire tread, it is best to keep both wheels going at least slightly forward.

Practice Turning in Place

15

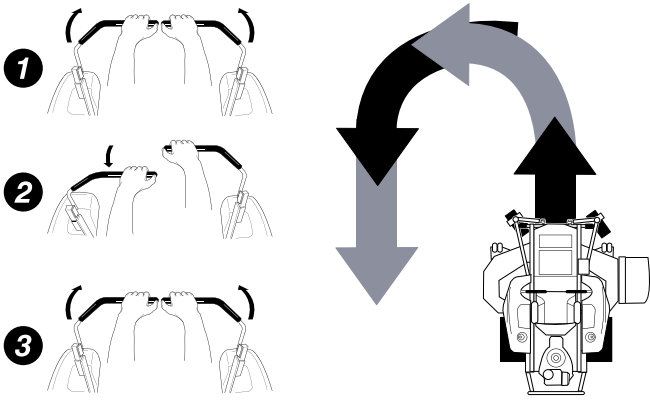


To turn in place, “Zero Turn,” gradually move one ground speed control lever forward from neutral and one lever back from neutral simultaneously. Repeat several times.

NOTE: Changing the amount each lever is pulled—forward or back, changes the “pivot point” you turn on.

**Advanced Driving
Executing an End-Of-Row Zero Turn**

16



Your Zero Turn Rider's unique ability to turn in place allows you to turn around at the end of a cutting row rather than having to stop and Y-turn before starting a new row.

For example, to execute a left end-of row zero turn:

1. Slow down at the end of the row.
2. Move the RIGHT ground speed control lever forward slightly while moving the LEFT ground speed control lever back to center and then slightly back from center.
3. Begin mowing forward again.

This technique turns the rider LEFT and slightly overlaps the row just cut—eliminating the need to back up and re-cut missed grass.

As you become more familiar and experienced with operating the Zero Turn rider, you will learn more maneuvers that will make your mowing time easier and more enjoyable.

Remember, the more you practice, the better your control of the Zero Turn will be!

Mowing

1. Engage the parking brake. Make sure that the PTO switch is disengaged, the ground speed control levers are locked in the NEUTRAL position and the operator is in the seat.
2. Start the engine. See *Starting the Engine*.
3. Set the mower cutting height.
4. Set the throttle to the 1/2 throttle position.

Note: It is best practice to engage the PTO with the throttle set at the minimum throttle position necessary to engage the deck drive system without stalling the engine.

5. Engage the PTO by pulling up on the PTO switch.
6. Move the throttle to the "FAST" position and begin mowing.
7. When finished, reduce throttle speed so that the engine idles and push the PTO switch down to shut off the PTO.
8. Stop the engine. See *Stopping the Rider*.

Mowing Recommendations

Several factors can affect how well your machine cuts grass. Following proper mowing recommendations can improve the performance and life of your machine.

Height of Grass

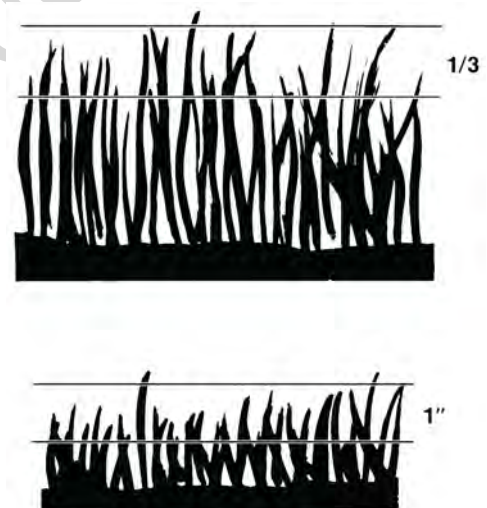
Often cutting height is a matter of personal preference. Typically, you should mow the grass when it is between three and five inches high. The proper cutting height range for a specific lawn will depend upon several factors, including the type of grass, the amount of rainfall, the prevailing temperature, and the lawn's overall condition.

Cutting the grass too short causes weak, thin grass plants, which are easily damaged by dry periods and pests. Cutting too short is often more damaging than allowing the grass to be slightly higher.

Letting grass grow a bit longer—especially when it is hot and dry—reduces heat build-up, preserves needed moisture and protects the grass from heat damage and other problems. However, allowing grass to grow too high can cause thin turf and additional problems.

Cutting off too much at one time shocks the plant's growth system and weakens the grass plants. **A good rule of thumb is the 1/3 rule: to cut no more than one third of the grass height, and never more than 1 inch at a time.**

17

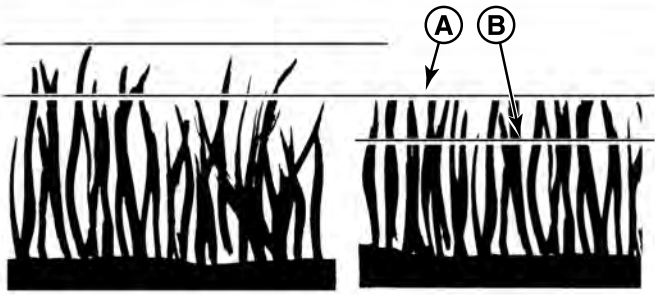


The amount of grass you are able to cut in one pass is also effected by the type of mowing system you are using (for example, broadcasting with side discharge decks can process a much larger volume of grass than mulching does).

Tall grass requires incremental cutting. For extremely tall grass, set the cutting height at maximum for the first pass (A, Figure 18), and then reset it to the desired height and mow a second (B) or third time.

Don't cover the grass surface with a heavy layer of clippings. Consider using a grass collection system and starting a compost pile.

18



When and How Often to Mow

The time of day and condition of the grass greatly affect the results you'll get when mowing. For the best results, follow these guidelines:

- Mow when the grass is between three and five inches high.
- Mow with sharp blades. Short clippings of grass one inch or shorter decompose more quickly than longer blades. Sharp mower blades cut grass cleanly and efficiently, preventing frayed edges which harm the grass.
- Mow at time of day when the grass is cool and dry. Late afternoon or early evening often provide these ideal mowing conditions.
- Avoid mowing after rain or even heavy dew, and never mulch when the grass is wet (moist grass does not mulch well, and clumps beneath the mower deck).

Mowing Patterns

Always start mowing on a smooth, level area.

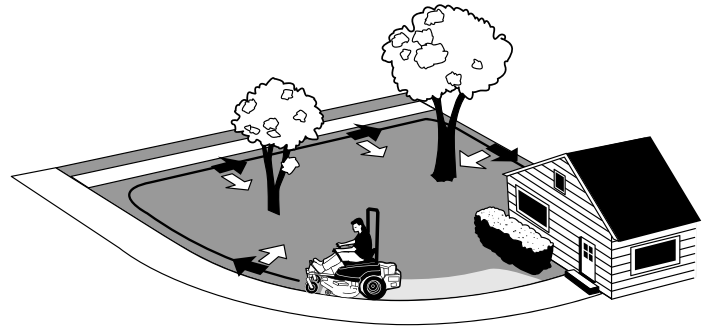
The size and type of area to be mowed will determine the best mowing pattern to use. Obstructions such as trees, fences and buildings, and conditions such as slopes and grades must also be considered.

- Cut long straight strips overlapping slightly.
- Where possible, change patterns occasionally to eliminate matting, graining or a corrugated appearance.
- For a truly professional cut, mow across the lawn in one direction, then re-cut the lawn by mowing perpendicular to the previous cut.

Note: Always operate the engine at FULL THROTTLE when mowing.

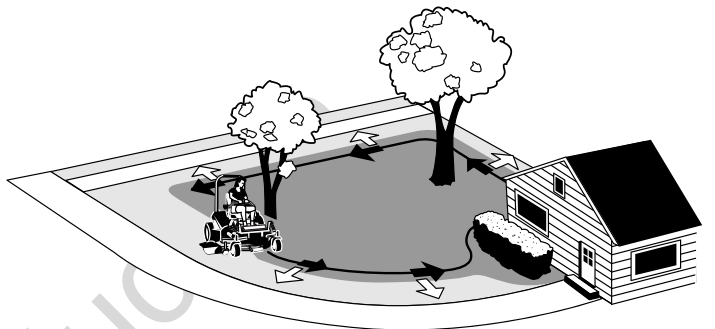
If you hear the engine slowing down, you are mowing too fast—using a slower ground speed will improve the cutting efficiency of the blades and prevents many common cutting problems. Use an appropriate ground speed for the thickness and height of the grass you are cutting (3rd gear or slower for manual gear models). If you hear the engine slowing down you are mowing too fast, use a slower ground speed.

19



Where possible, make one or two passes around the outside of the area discharging the grass INTO the lawn to keep the cut grass off fences and walks.

20



The remainder of the mowing should be done in the opposite direction so that the clippings are dispersed OUT onto the area of lawn previously cut.

Mowing Methods

Broadcast Mowing

Broadcasting, or side-discharging, disperses fine clippings evenly over the entire lawn. Many golf courses use this method. Your mower has a deep dish deck to allow freer circulation of clippings so they are broadcast evenly over the lawn.

Engine Speed & Ground Speed for Broadcasting:

Always operate the engine at full throttle when mowing. If you hear the engine slowing down, you are mowing too fast—using a slower ground speed will improve the cutting efficiency of the blades and prevents many common cutting problems.

ALWAYS use an appropriate ground speed for the thickness and height of the grass you are cutting (3rd gear or slower for manual gear models). If you hear the engine slowing down you are mowing too fast, use a slower ground speed.

How Much Grass to Cut Off When Broadcasting:

Mow when the grass is 3-5 inches long. Do not cut the grass shorter than 2 to 2-1/2 inches. Do not cut off more than 1 inch of grass in a single pass.

Mulching

Mulching consists of a mower deck which cuts and re-cuts clippings into tiny particles and which then blows them down INTO the lawn. These tiny particles decompose rapidly into by-products your lawn can use. UNDER PROPER CONDITIONS, your mulching mower will virtually eliminate noticeable clippings on the lawn surface.

Note: When mulching under heavy cutting conditions, a rumbling sound may be present and is normal.

Mulching Requires EXCELLENT Mowing Conditions:

Mulching mowers cannot function properly if the grass is wet, or if the grass is simply too high to cut. Even more than normal mowing, mulching requires that the grass be dry and the appropriate amount is cut.

Do not use the mower as a mulching mower during the first two or three mowings in the spring. The long grass blades, quick growth, and often wetter conditions are more suitable for broadcasting (side-discharging) or grass bagging operation.

Engine Speed & Ground Speed for Mulching:

Use full engine throttle matched with a slow ground speed so that clippings will be finely cut. Ground speed while mulching should be HALF of the speed that would be used when broadcasting (side discharging) under similar conditions. Since mulching requires more horsepower than broadcasting, using a slower ground speed is vitally important for proper mulching operation.

How Much Grass to Mulch:

The best mulching action typically results from cutting only the top ½ inch to ¾ inch of grass blade. This provides short clippings which decompose properly (much more quickly than longer clippings). The ideal cutting height will vary with climate, time of year, and quality of your lawn. We recommend that you experiment with both the cutting height and ground speed until you achieve the best cut. Start with a high cutting height and using progressively lower settings until you find a cutting height that is matched to your mowing conditions and preferences.

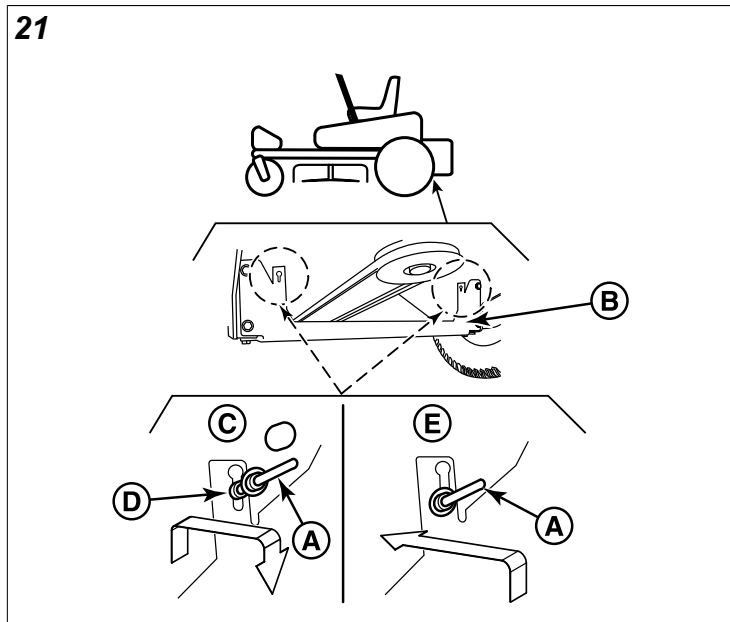
Pushing the Rider by Hand

NOTICE Do not tow rider.

Towing the unit will cause transmission damage. Do not use another vehicle to push or pull this unit.

1. Disengage the PTO, engage the parking brake, turn the ignition OFF, and remove the key.
2. Locate the transmission release levers (A, Figure 21) underneath the engine deck of the machine between the two rear wheels on the transmission cradle (B). There is one transmission release lever on each transmission. The transmission release levers open and close the transmission bypass valves.

21



3. To open the transmission bypass valve (bypass position) (C), move the transmission release lever up and pull it towards the rear of the machine. When the second nut (D) has passed through the hole, lower the rod down into the slot so it will stay in the bypass position. Repeat the process for the other side of the unit.
4. Disengage the parking brake. The rider can now be pushed by hand.
5. After moving the unit, close the bypass valve (run position) (E) by raising the transmission release lever so that the back nut clears the slot, push the lever towards the front of the machine. Repeat the process for the other side of the unit.

Note: Both transmission release levers must be in the same position.

Raise and Lower the Roll Bar

Follow these instructions if your model is equipped with a folding roll bar follow the safety and operational instructions listed below.



WARNING

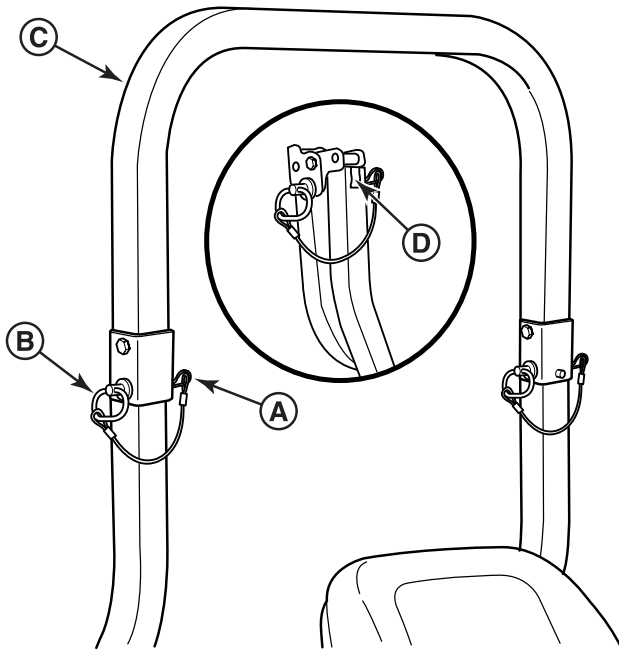
Avoid serious injury or death from roll over:

- Keep roll bar in the raised position and use seat belt.
- There is no roll over protection when the roll bar is down.
- Lower the roll bar only when necessary and NEVER remove it.
- Do NOT use seat belt when the roll bar is down.
- Raise the roll bar as soon as clearance permits.
- Do NOT jump off if mower tips.

To lower the roll bar:

1. Pull the hair pin clips (A, Figure 22) out of the retainer pins (B).

22



2. Push or pull the top of the roll bar (C) forward against the spring clips (D) and remove the retainers pins (B).
3. Lower the roll bar and reinstall the retainers pins and hair pin clips to secure the roll bar in the down position (see insert, Figure 22).

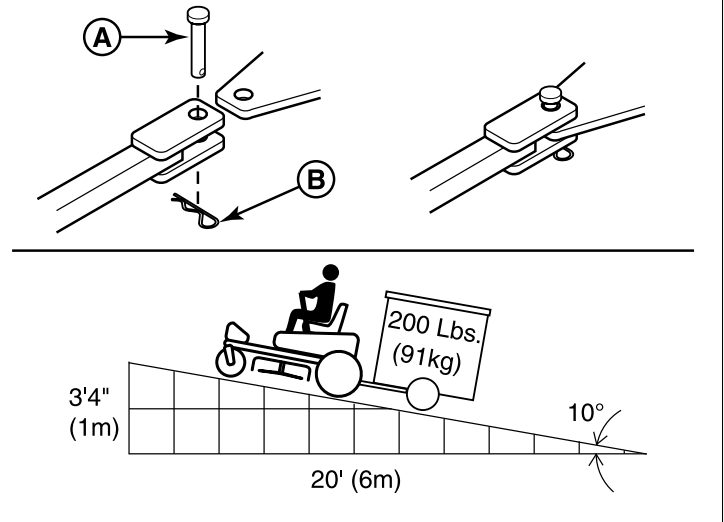
To raise the roll bar:

1. Pull the hair pin clips (A) out of the retainers pins (B) and remove the retainers pins.
2. Raise the roll bar (C) until the top of the roll bar (C) contacts the spring clips (D) on the upright tubes.
3. Push or pull the top of the roll bar forward against the spring clips and reinstall the retainers pins and hair pin clips to secure the roll bar in the raised position.

Attaching a Trailer

The maximum weight of a towed trailer should be less than 200 lbs (91kg). Secure the trailer with an appropriately sized clevis pin (A, Figure 23) and clip (B).

23



Excessive towed loads can cause loss of traction and loss of control on slopes. Reduce towed weight when operating on slopes. The surface being driven on greatly impacts traction and stability. Wet or slippery surfaces can greatly reduce traction and the ability to stop or turn. Carefully evaluate the surface conditions before operating the unit and trailer, and never operate on slopes greater than 10°. See SLOPE OPERATION and TOWED EQUIPMENT in the safety section of this manual for additional safety information.

Storage



WARNING



Fuel and its vapors are extremely flammable and explosive.

Fire or explosion can cause severe burns or death.

- Never store the unit, with gasoline in the engine or the fuel tank, in a heated shelter or in an enclosed, poorly ventilated enclosures. Gasoline fumes may reach an open flame, spark or pilot light (such as a furnace, water heater, clothes dryer, etc.) and cause and explosion.
- Handle gasoline carefully. It is highly flammable and careless use could result in serious fire damage to your person or property.
- Drain fuel into an approved container outdoors away from open flame or sparks.

Temporary Storage (30 Days or Less):

Remember, the fuel tank will still contain some gasoline, so never store the unit indoors or in any other area where fuel vapor could travel to any ignition source. Fuel vapor is also toxic if inhaled, so never store the unit in any structure used for human or animal habitation.

Here is a checklist of things to do when storing your unit temporarily or in between uses:

- Keep the unit in an area away from where children may come into contact with it. If there's any chance of

unauthorized use, remove the spark plug(s) and put in a safe place. Be sure the spark plug opening is protected from foreign objects with a suitable cover.

- If the unit can't be stored on a reasonable level surface, chock the wheels.
- Clean all grass and dirt from the mower.

Long Term Storage (Longer Than 30 Days)

Before you store your unit for the off-season, read the Maintenance and Storage instructions in the Safety Rules section, then perform the following steps:

- Drain crankcase oil while engine is hot and refill with a grade of oil that will be required when unit is used again.
- Prepare the mower deck for storage as follows:
 1. Remove mower deck from the unit.
 2. Clean underside of mower deck.
 3. Coat all bare metal surfaces with paint or light coat of oil to prevent rusting.
 - Clean external surfaces and engine.
 - Prepare engine for storage. See engine operator's manual.
 - Clean any dirt or grass from cylinder head cooling fins, engine housing and air cleaner element.
 - Cover air cleaner and exhaust outlet tightly with plastic or other waterproof material to keep out moisture, dirt and insects.
 - Completely grease and oil unit as outlined in the Lubrication section.
 - Clean up unit and apply paint or rust preventative to any areas where paint is chipped or damaged.

Maintenance Schedule

The following schedule should be followed for normal care of your unit. You will need to keep a record of your operating time. Determining operating time is easily accomplished by observing the hour meter.

If your unit is equipped with a dual function hour meter that displays both engine hours and PTO hours, the maintenance intervals are based on the engine hours as displayed by the hour meter.

UNIT MAINTENANCE
Before Each Use
Check Safety Interlock System
Check Rider Brakes
Check Rider / Mower for Loose Hardware
Check Hydraulic Oil Level
Every 25 Hours
Clean Deck & Check/Replace Mower Blades*
Lubricate Rider & Mower*
Check Tire Pressures
Every 100 Hours
Check Mower Blade Stopping Time
Clean Battery & Cables
Initial Change of Hydraulic Oil

UNIT MAINTENANCE
Every 400 Hours or Yearly
Change Hydraulic Oil & Filter

ENGINE MAINTENANCE
Before Each Use
Check Engine Oil Level
Every 25 Hours
Check/Clean Cooling Fins & Intake*
Every 50 Hours
Check/Clean Spark Arrester**
Refer to Engine Owner's Manual
Service Air Filter
Change Oil & Filter
Check/Replace Spark Plugs
Check/Replace Fuel Filter

*More often in hot (over 85°F, 30°C) weather or dusty operating conditions.

**If equipped, replace if damaged.

Maintenance Procedures

Service and Maintenance Safety



WARNING

Amputation and crushing hazard

Specific steps must be taken in order to perform service and maintenance procedures safely.

Read and follow all the applicable safety and instructional messages in this manual.

Always disengage the mower blades, set the parking brake, turn the engine OFF, remove the ignition key, and wait for all movement to stop prior to performing service and maintenance procedures.

Always disconnect the spark plug wire(s) and fasten it away from the plug before beginning any maintenance or service procedures on order to prevent accidental ignition.

Checking / Adding Fuel

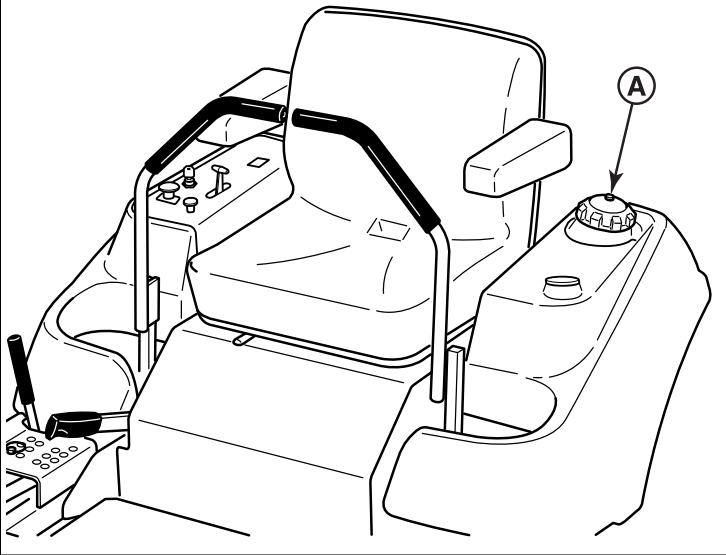


WARNING

Gasoline is highly flammable and must be handled with care. Allow engine to cool for at least 3 minutes before refueling. Do not allow open flame, smoking or matches in the area. Avoid over-filling and wipe up any spills.

To add fuel:

1. Remove the fuel cap (A, Figure 24).



2. Fill the fuel tank to the bottom of the filler neck. This will allow for fuel expansion.
Note: Do not overfill. Refer to your engine owner's manual for specific fuel recommendations.
3. Install and hand tighten the fuel cap.
4. If your unit is equipped with two fuel tanks, repeat this process to fill the other fuel tank.

NOTICE

Refer to your engine owner's manual for specific fuel recommendations.

Replacing the Fuel Filter



Fuel and its vapors are extremely flammable and explosive.

Fire or explosion can cause severe burns or death.

Do NOT remove the fuel filter when the engine is hot, as spilled gasoline may ignite. Do NOT spread hose clamps further than necessary. Ensure clamps grip hoses firmly over filter after installation.

Carbureted Models: The fuel filter is located in the fuel line between fuel tank and carburetor, near the fuel pump.

Fuel Injected Models: The fuel filter is located in the fuel line between the fuel tank and fuel pump.

If filter is dirty or clogged, replace as follows:

1. Disconnect the negative battery cable.
2. Place a container below the filter to catch spilled fuel.
3. Using a pliers, open and slide hose clamps from fuel filter.
4. Remove hoses from filter.
5. Install new filter in proper flow direction in fuel line.
6. Secure with hose clamps.
7. Reconnect the negative battery cable when finished.

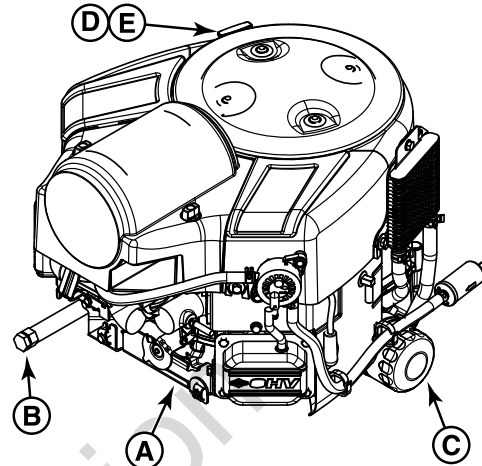
Check Engine Oil Level

Interval: Before Each Use

Refer to the engine owners manual for dipstick and oil fill locations and specific engine oil check and fill procedures.

Changing the Engine Oil and Filter

This series of mower features a Briggs & Stratton Commercial Turf Series engine (A, Figure 25).



1. Warm engine by running for a few minutes. (Refer to the engine operator's manual for oil and filter replacement instructions.)
2. Remove the oil drain hose (B) from its storage position and route the hose so that when the oil drain cap is removed the oil can be drained into a small pan.
3. Place a small pan under the oil drain hose to catch the oil. Using the appropriate tools, remove the oil drain cap from the oil drain hose and drain the engine oil.
4. After draining, replace the cap and wipe up any spilled oil. Reinstall the oil drain hose to its storage position so it is retained during normal operation.
5. Place an absorbent shop cloth under the engine oil filter (C). Remove the engine oil filter and replace with a new one.
6. Add engine oil (refer to engine operator's manual) in the fill tube (D) and check the amount of oil in the engine using the engine oil dipstick (E).
7. Remove the shop cloth and wipe up any spilled oil.

Engine Maintenance

For engine maintenance schedules and procedures, please refer to the engine operator's manual.

Inspect Muffler and Spark Arrester

Inspect the muffler for cracks, corrosion, or other damage. Remove the spark arrester, if equipped, and inspect for damage or carbon blockage. If replacement parts are required, make sure to use only original equipment replacement parts.

WARNING

Replacement parts must be the same and installed in the same position as the original parts or fire could result.

Fuse Location and Identification

The electrical system for this unit is equipped with two replaceable fuses. See the chart below for the circuit, amperage, and approximate location of the fuses.

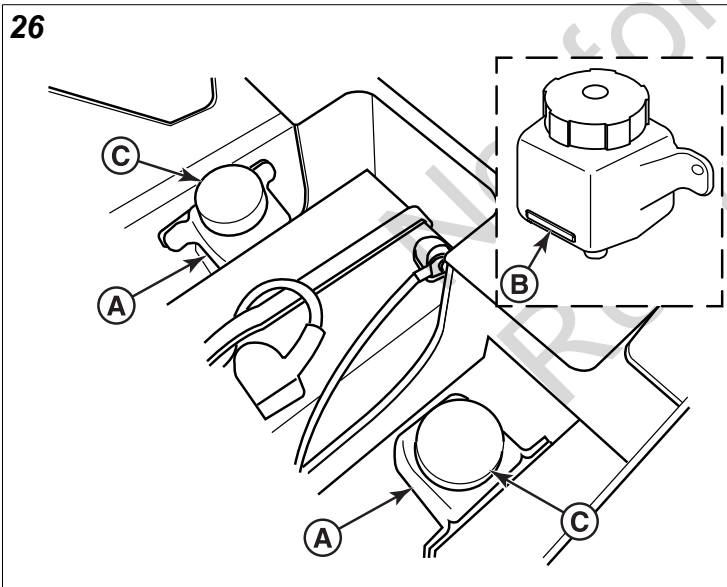
Circuit	Amperage	Approximate Location
Main	20 amp	Instrument control panel.
PTO Clutch	15 amp	Behind the seat on the left hand side of the machine.

Check / Fill Transmission Oil Level

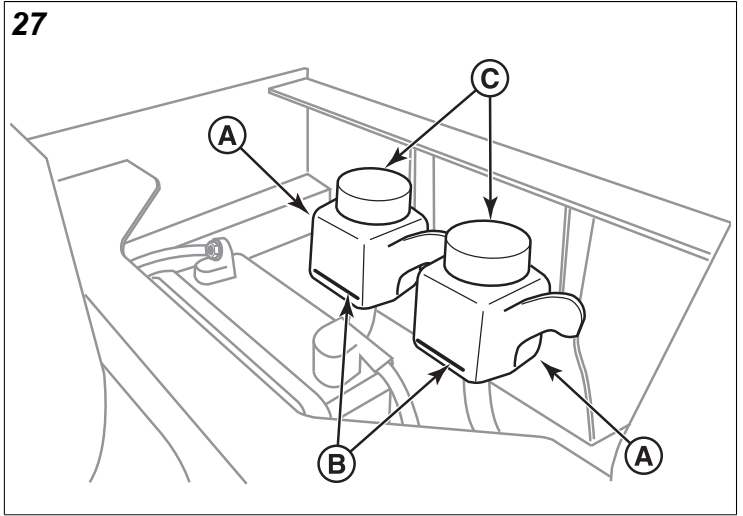
This unit is equipped with two transmission oil tanks. One transmission oil tank supplies oil to one transmission. The level of oil in both transmission tanks must be checked, and if necessary, filled.

Oil Type: 20W-50 conventional detergent motor oil.

1. Locate the transmission oil tanks (A, Figure 26 for models with 48" or 52" mower decks; Figure 27 for models with 61" mower decks).



27



2. Check the oil level when the unit is cold. The oil should be up to the "FULL COLD" mark (B). If the oil is below this level, proceed to step #3.
3. Before removing the tank caps (C), make sure the area around the tank cap and fill neck of the tank is free of dust, dirt, or other debris. Remove the tank cap.
4. Add oil up to the "FULL COLD" mark.
5. Put the tank caps back onto the tanks and hand tighten.
6. After adding oil to the tanks, it may be necessary to purge air from the hydraulic system. If the unit is not driving properly perform the *Purging the Air from the Hydraulic System* procedure.

Transmission Oil Filter Change

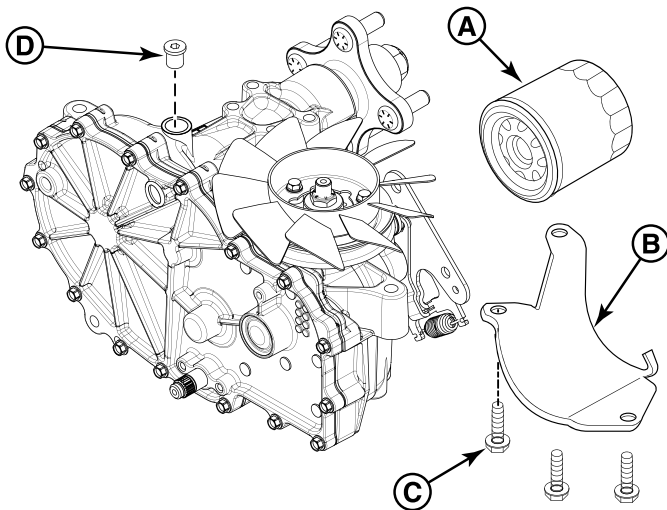
Change Interval: Every 400 Hours or Yearly (Initial hydraulic oil and filter change after first 100 hours of operation)

Replacement Filter Number: 5101026X1

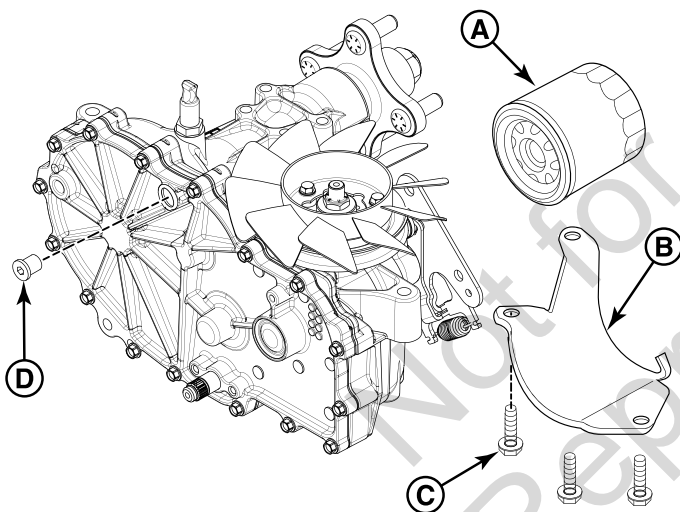
Note: Removing the oil filter from the transaxle will drain the oil tank. Have a suitable container ready to catch any spilled oil. The manufacturer recommends that this be a dealer-only service item.

1. Locate the transmission oil filters (A, Figures 28 & 29) underneath the rear of the machine on the transmissions.

28



29



2. Remove the three 1/4" filter guard screws (C) and the filter guard (B).
3. Clean the area around the filter base and remove the filter.
4. Apply a film of new oil to the gasket of the new replacement filter. After the oil has drained, thread the new filter onto the filter base until the gasket makes contact, then tighten 3/4 of a turn more.
5. Reinstall the filter guard with the three 1/4" filter guard screws.
6. Locate the port plug (D) on your transmission.

- If your unit has hydraulic hoses that connect to the side of the transmission then the port is located on the top of the transmission. See Figure 28 for a reference to the port location.

- If your unit has hydraulic hoses that connect to the top of the transmissions then the port is located on the side of the transmission. See Figure 29 for a reference to the port location.

7. Using a hex bit swivel socket or a modified allen wrench remove the top port plug from the transmissions.
8. Remove the transmission oil tank cap and fill with oil until oil appears at the bottom of the transmission's port (approximately 2 qts (1,89 L).
9. Reinstall the port plug and tighten to 15 ft lbs (20,38 Nm).
10. Continue to add oil to the transmission oil expansion tank until the oil level reaches the "FULL COLD" mark. Put the transmission oil tank cap back on and hand tighten.
11. Repeat this process for the other side of the machine.
12. Perform the *Purging the Air from the Hydraulic System* procedure.

Purging the Air from the Hydraulic System

Due to the effects air has on efficiency in hydraulic drive systems, it is critical that it be purged from the system. These purge procedures should be implemented any time a hydraulic system has been opened to facilitate maintenance or any additional oil has been added to the system.

The resulting symptoms of air in the hydraulic system may be:

- Noisy operation.
- Lack of power or drive after short term operation.
- High operation temperature and excessive expansion of oil.

Before starting, make sure the transaxles/transmissions are at the proper oil levels. If it is not, fill to the specifications outlined in the *Check / Fill Transmission Oil Level* procedure.

Purging Air from the Hydraulic System:

1. Chock the front wheels to prevent the machine from rolling. Raise the rear of the machine so that the vehicle's rear tires do not contact the ground. Position jack stands under the rear bumper of the machine to secure it.
2. Open the transaxle's bypass valves (see *Pushing the Rider by Hand* for the location and function of the bypass valves), start the engine, release the parking brake, and slowly move the zero-turn rider's ground speed control levers in both forward and reverse directions (5 to 6 times), as air is purged from the unit, the oil level will drop.
3. Stop the engine and engage the parking brake.
4. Close the transaxle's bypass valves, start the engine, release the parking brake, and slowly move the zero-turn rider's ground speed control levers in both forward and reverse directions (5 to 6 times), as air is purged from the unit, the oil level will drop.
5. Stop the engine. Remove the jack stands from underneath the machine.

- Repeat the process detailed above but with the unit's drive wheels on the ground. The procedure should be performed in an area free of any objects or bystanders.

It may be necessary to repeat the process detailed above until all the air is completely purged from the system. When the transaxles/transmissions operate at normal noise levels and move smoothly forward and reverse at normal speeds, then the transaxles/transmissions are considered purged.

Lubrication


Lubricate the unit at the location shown in the following figures as well as the lubrication points listed below.

Grease: 

- front caster wheel axles and yokes
- transmission cradle pivots
- deck lift pivot blocks
- mower deck spindles

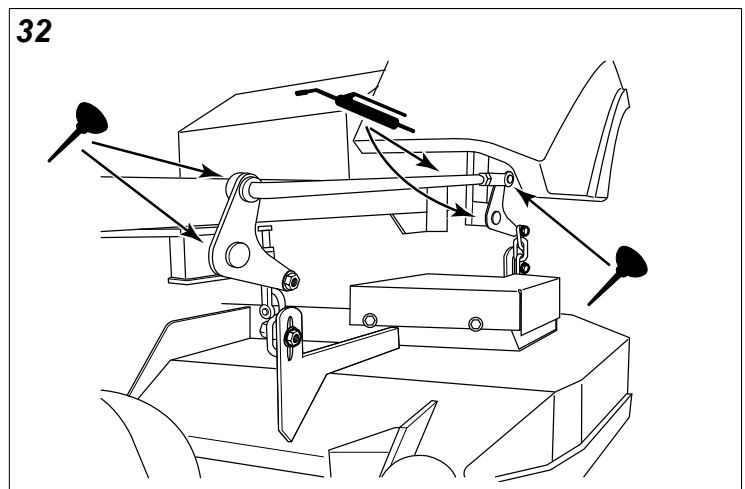
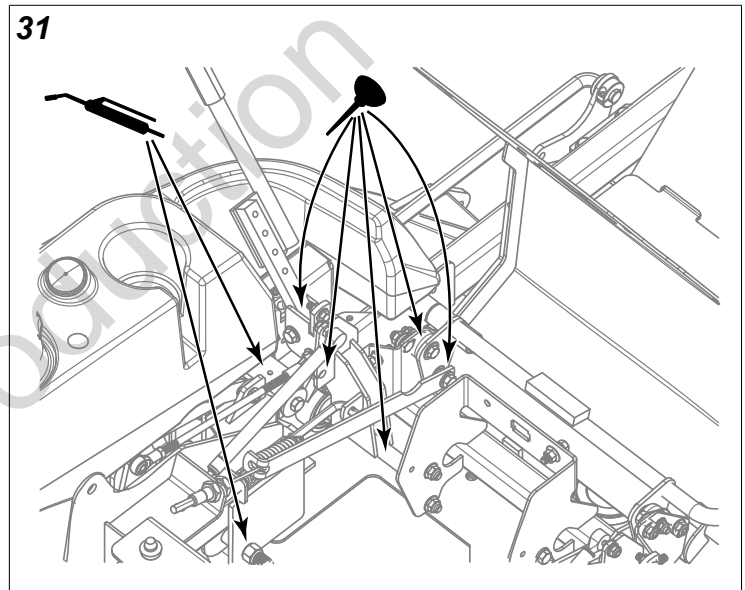
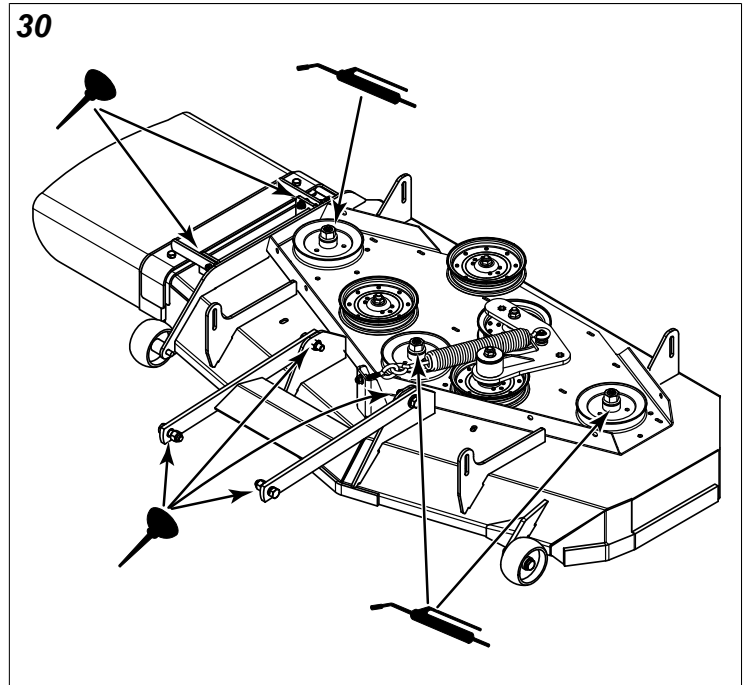
Use grease fittings when present. Disassemble parts to apply grease to moving parts when grease fittings are not installed.

Not all greases are compatible. Grease (p/n 5022285) is a Calcium Sulfonate EP NLGI #2 grease that is recommended and available through your normal parts source. Lithium Complex EP-2 NLGI #2 grease may be used if 5022285 is not available. Using a non-compatible grease could damage or cause premature parts failures.

Oil: 

- ground speed control lever pivots & linkages
- parking brake shaft pivots
- seat plate pivots
- deck lift pivot points
- discharge chute hinge

Generally, all moving metal parts should be oiled where contact is made with other parts. Keep oil and grease off belts and pulleys. Remember to wipe fittings and surfaces clean both before and after lubrication.

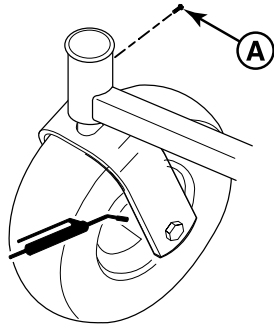


Lubricate the Front Casters

Interval: Annually

1. Remove the 1/4-28 bolt (A, Figure 33) screwed into the caster and install a 1/4-28 grease fitting.

33



2. Grease the front caster.
3. Remove the 1/4-28 grease fitting and reinstall the 1/4-28 bolt.
4. Repeat the process for the other side of the machine.

Servicing the Mower Blades

Removing the Mower Blades



CAUTION

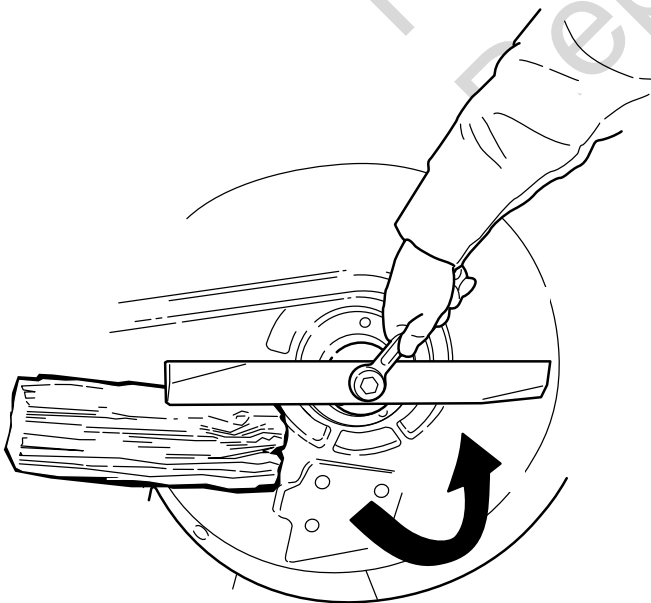
Laceration hazard

Mower blades are sharp.

Always wear gloves when handling, or working near, mower blades.

1. Use a block of wood to prevent the mower blade from turning as shown in Figure 34.

34



2. Using a wrench, remove the bolt securing the blade to the spindle.

Inspecting the Mower Blades



DANGER



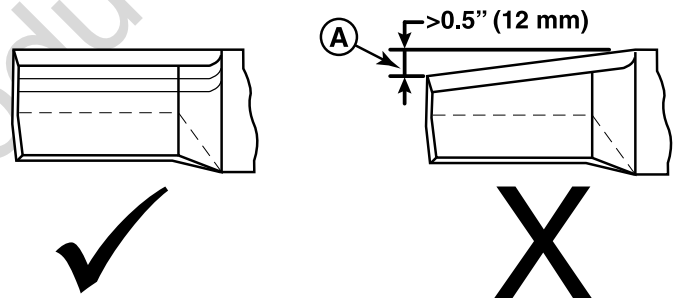
Thrown objects hazard

Avoid injury: a worn or damaged mower blade can break and a piece of the blade could be thrown into the operator's area or bystander's area resulting in serious personal injury or death.

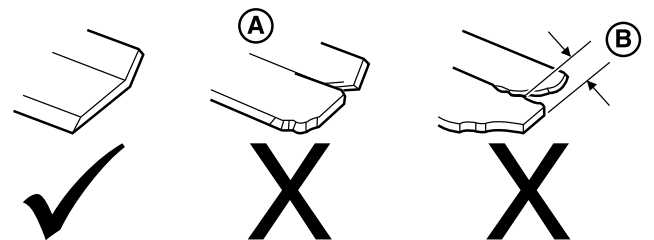
- Inspect the mower blade every 25 hours or at least once per year.
- If the mower blade hits a solid object, stop the engine immediately and inspect the mower blades.
- Never weld or straighten bent mower blades.

1. Remove the mower blade from the unit. See Removing the Mower Blades.
2. Inspect the mower blade (Figures 35 and 36). Discard the mower blade if it has any of the following conditions:
 - More than .5" (12,7 mm) of the mower blade metal has been removed from previous sharpening or wear (A, Figure 35)
 - The air lifts are excessively eroded (A, Figure 36) and the notch (B) is .25" (6,35 mm) deep or greater.
 - The mower blade is broken or bent.

35



36



3. If the cutting edges are not sharp or have nicks, sharpen the blades. See Sharpening the Mower Blades.

Sharpening the Mower Blades



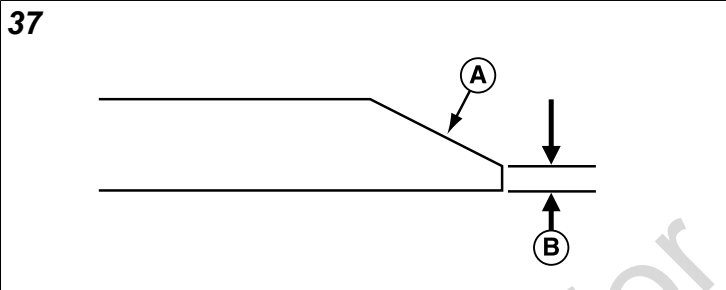
WARNING Thrown objects and fire hazard

Grinding mower blades throws sparks and fine metal particles that are capable of igniting gasoline and gasoline vapors, and that can injure unprotected eyes.

Be sure all flammable materials are cleared from the area where grinding will occur.

Always wear safety glasses or goggles when grinding mower blades.

1. Sharpen mower blades with a grinder, hand file, or electric blade sharpener.
2. Sharpen the blade by removing an equal amount of material from the cutting edge of each end of the blade.
3. Keep the original bevel (A, Figure 37) when grinding. DO NOT change the mower blade bevel.



4. The mower blade should have a maximum of 1/64" (0,40 mm) cutting edge (B) or less.

Balancing the Mower Blades



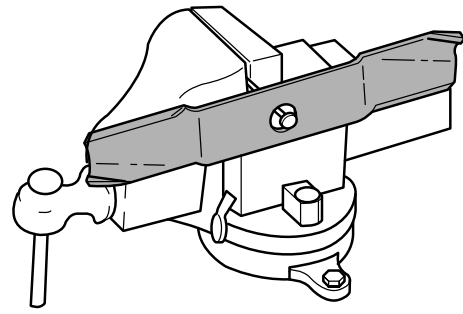
CAUTION Thrown objects hazard

An unbalanced mower blade can create excessive vibration and damage the unit, or cause mower blade failure resulting in thrown debris.

Be sure blade is balanced before installing.

1. Clean the mower blade to remove any dried grass or other debris.
2. Clamp a nail in a bench vise, hang the mower blade on the nail, and position the blade in a level horizontal position as shown in Figure 38.

38

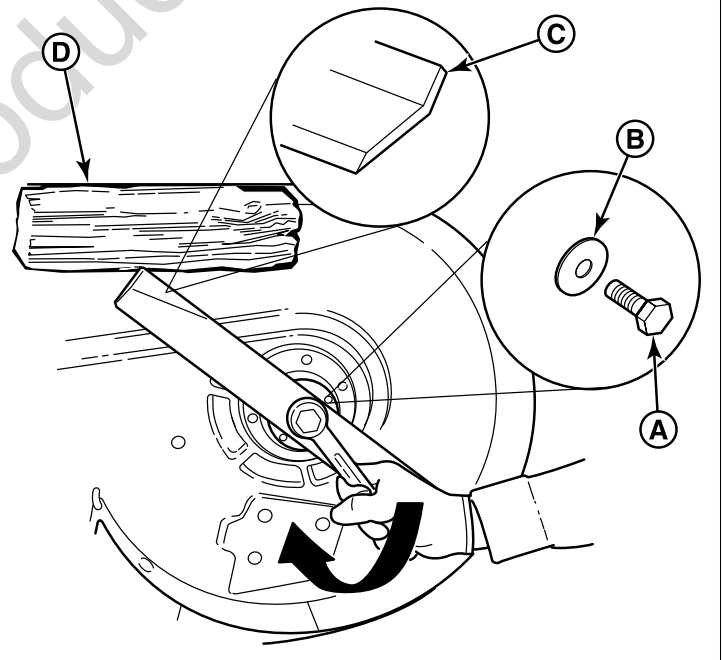


3. Check the balance of the mower blade. If either end of the mower blade moves downward is heavier than the other. Sharpen the heavy end until balance is achieved. See Sharpening the Mower Blades for sharpening instructions.
4. Repeat the process until the mower blade remains in the horizontal, level position.

Installing the Mower Blades

1. Install each mower blade with the air lifts (C, Figure 39) pointing up towards the mower deck as shown in Figure 39 and secure with the mower blade mounting bolt (A) and flat washer (B).

39

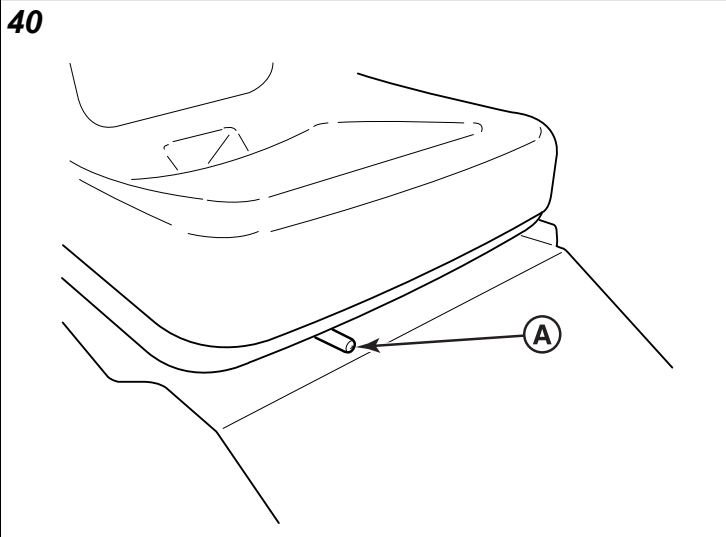


2. Wedge a wooden block (D) between the mower blade and the mower deck housing to keep the mower blade from turning and torque the blade mounting bolt to 120 ft. lbs (163 Nm).

Seat Adjustment

The seat can be adjusted forward and back. Move the lever (A, Figure 40) towards the left, position the seat as desired, and release the lever to lock the seat into position.

40



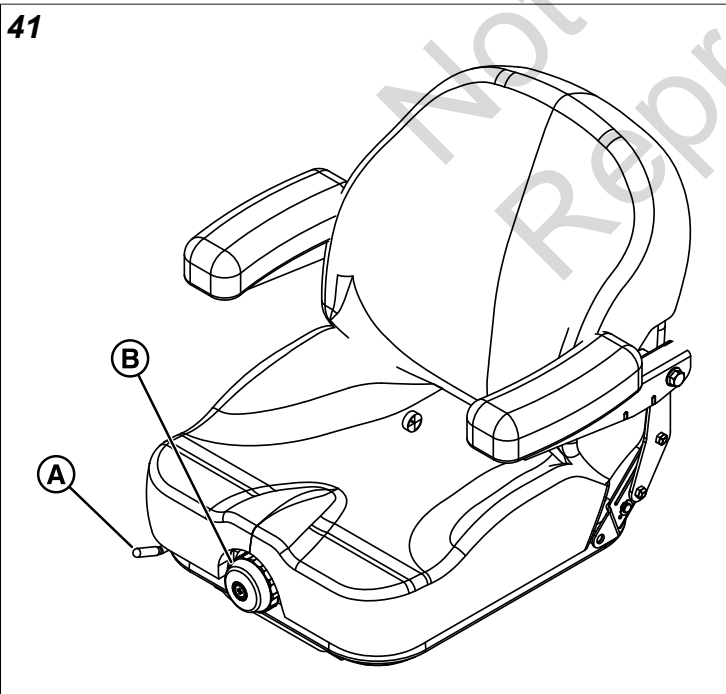
Seat Adjustment (Suspension Adjustment)

This procedure applies to models equipped with suspension seats only.

In addition to the forwards and backwards seat adjustment, models equipped with a suspension seat can also be adjusted for suspension (ride comfort).

Seat Adjustment Lever (Forwards / Backwards): The seat can be adjusted forward and back. Move the forwards / backwards seat adjustment lever (A, Figure 41), position the seat as desired, and release the lever to lock the seat in position.

41



Seat Adjustment Knob (Suspension/Ride Comfort): The seat adjustment knob (B) adjusts the suspension of the seat (ride comfort). Turn the adjustment knob until the display scale has a reading that matches the weight of the operator.

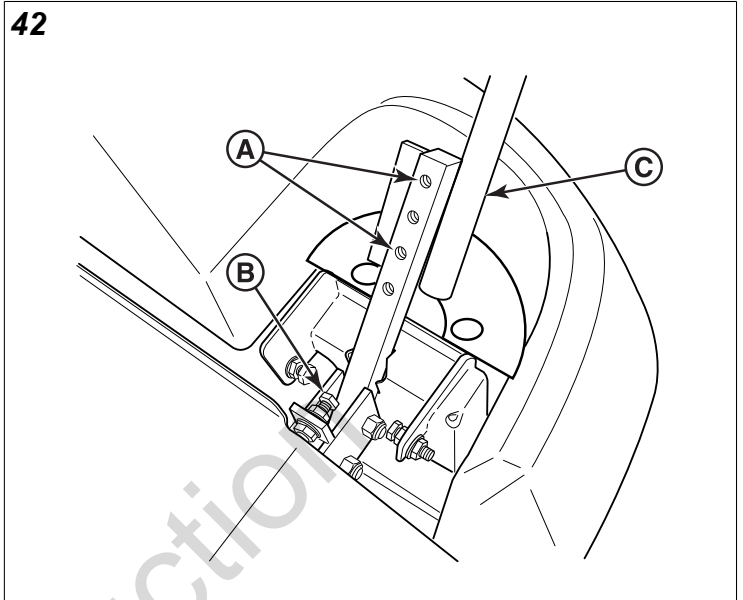
Ground Speed Control Lever Adjustment

The control levers can be adjusted in three ways. The alignment of the control levers, the placement of the levers (how close the ends are to one another) and the height of the levers can be adjusted.

To Adjust the Handle Alignment

Loosen the mount bolts (A, Figure 42) and pivot the lever(s) (C) to align with each other.

42



To Adjust the Handle Placement

Loosen the jam nuts and adjust the placement bolt (B) in or out to properly adjust the lever end spacing.

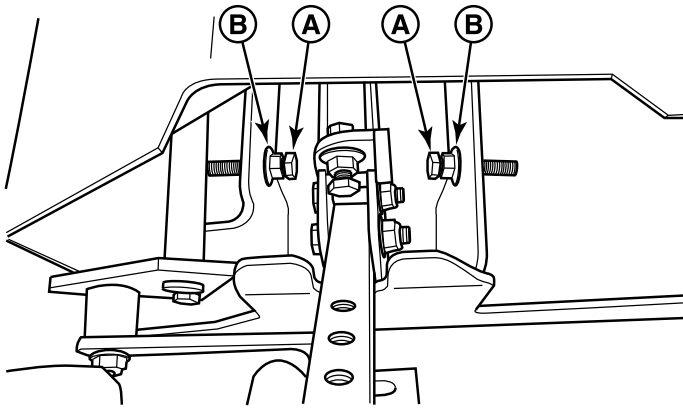
To Adjust the Handle Height

Remove the mounting hardware and reposition the handle either up or down from its original position. You will need to adjust the handle alignment again as described above.

Speed Balancing Adjustment

If the rider veers to the right or left when the ground speed control levers are in the maximum forward position, the top speed of each of these levers can be balanced by turning the adjustment bolt(s) (A, Figure 43). Only adjust the speed of the wheel that is traveling faster.

43



To Reduce the Speed of the Faster Wheel

1. Loosen the securing nut (B).
2. Turn the top speed adjustment bolt **counter-clockwise** to reduce the speed.
3. Retighten the securing nut when adjustment is complete.

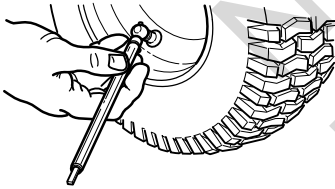


WARNING

DO NOT adjust the tractor for a faster overall speed forward or reverse than it was designed for.

Checking Tire Pressures

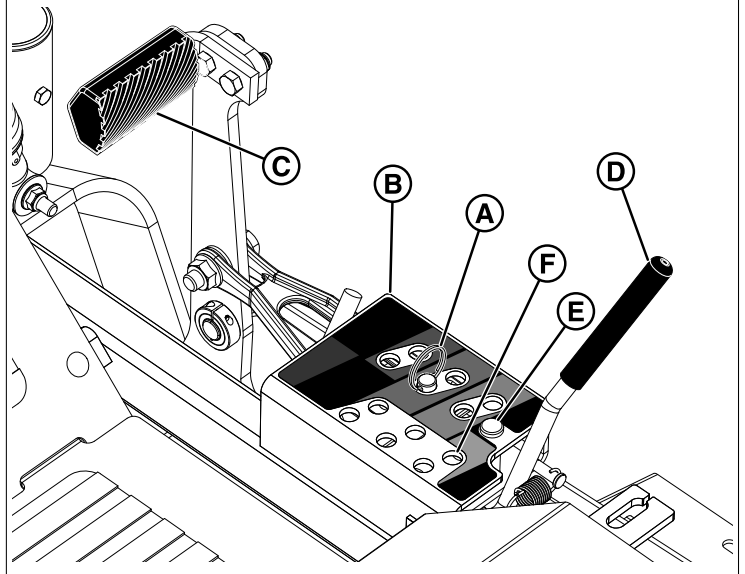
Tire pressure should be checked periodically, and maintained at the levels shown in the Specifications chart. Note that these pressures may differ slightly from the "Max Inflation" stamped on the side-wall of the tires. The pressures shown provide proper traction and extend tire life.



Cutting and Rear Roller Bar Height Adjustment - 48" & 52" Decks

The cutting height adjustment pin (A, Figure 44) controls the mower's cutting height. The cutting height is adjustable between 1-1/2" (3,8 cm) and 4-1/2" (11,4 cm) in 1/4" (0,64 cm) increments.

44



This mower is also equipped with a rear roller bar. The rear roller bar is **NOT** intended to ride on the ground. The rollers should **NOT** be adjusted so that the rollers ride on the ground. Rollers riding on the ground could damage the turf and/or the unit. The height range of the rear roller bar needs to be adjusted in relation to the cutting height of the mower deck. The rear roller bar is adjusted by changing the holes that the hair pins are installed in the roller support shaft.

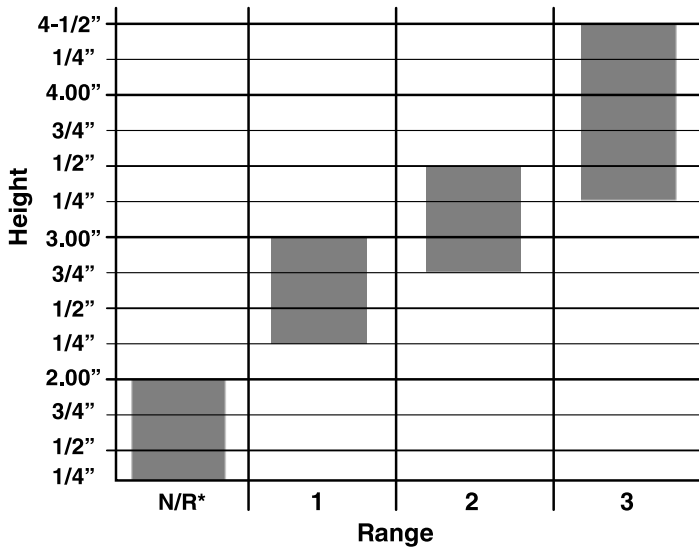
If the desired cutting height is lower than 2" (5,1 cm), the roller should be removed from the mower deck and not used when cutting or it will damage the turf and/or the unit.

Note: Make sure that the cutting height adjustment pin is inserted into the holes in both the upper and lower plates of the pin box (B).

1. While sitting in the operator's seat, press the deck lift foot pedal (C) forward until it locks into the 4-1/2" (11,4 cm) position.
2. Determine the desired cutting height for the mower deck.
3. Use the "Cutting Height & Rear Roller Bar Adjustment" chart (Figure 45) to determine the correct roller bar height range.

45

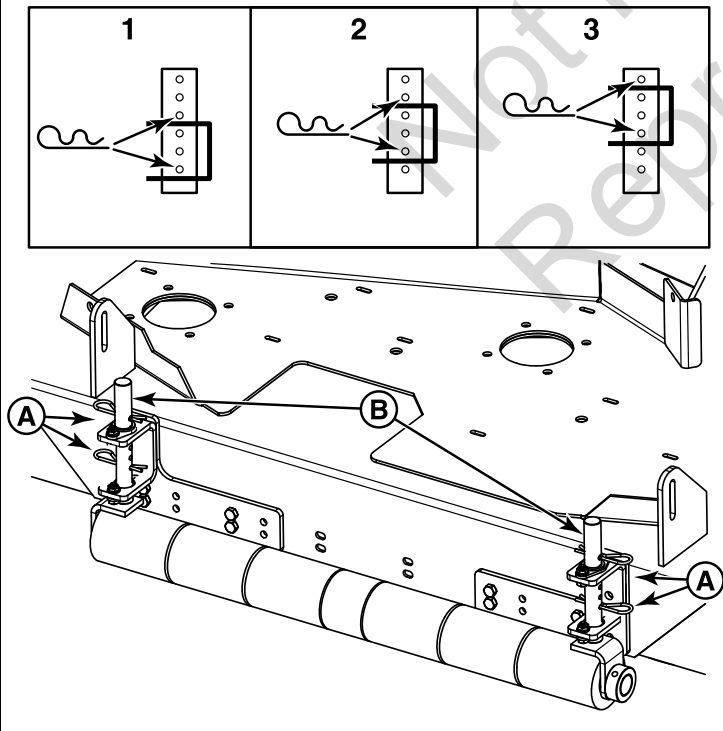
Cutting Height & Roller Bar Adjustment



*N/R = Not Recommended: The roller should not be used if the cutting height is set within this range.

- Remove the hair pins (A, Figure 46) from the roller support shaft (B) and position the roller support shaft to the correct height range as indicated in the chart and re-install the hair pins.

46



- Repeat the process for the other side of the unit.

Note: The hair pins must be installed in the same range in each roller support shaft for the rear roller bar to be level.

- Set the mower deck to the cutting height using the following steps.

To set the cutting height at 1-1/2" (3,37 cm):

- While sitting in the operator's seat, press the deck lift foot pedal (C, Figure 44) forward until it locks into the 4-1/2" (11,4 cm) position.
- Remove the cutting height adjustment pin (A) from the hole that it is installed in.
- Press the deck lift foot pedal forward and then push the lock lever (D) towards the right to release the lock.
- Slowly release the deck lift foot pedal until it comes to rest against the stationary pin (E) in the 1-1/2" (3,37 cm) cutting height hole.
- Place the cutting height adjustment pin in the storage hole (F).

To set the cutting height in the range of 1-3/4" (4,40 cm) and 4-1/4" (10,8 cm):

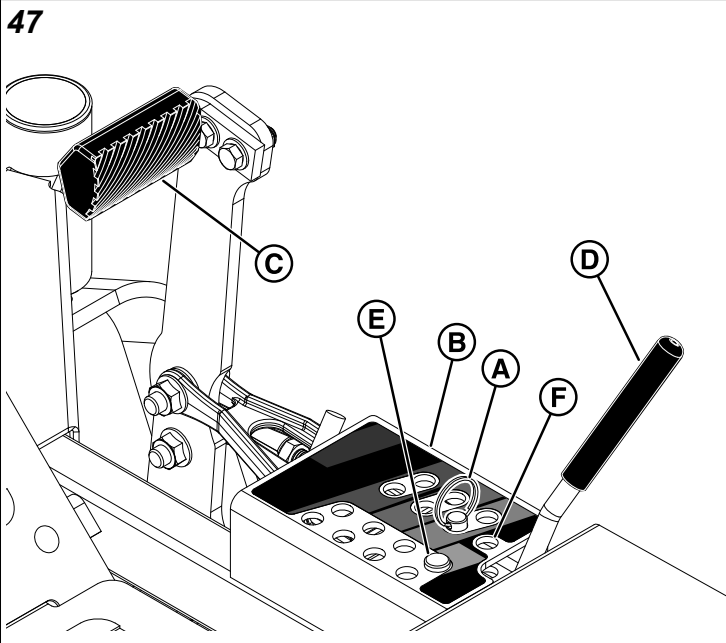
- While sitting in the operator's seat, press the deck lift foot pedal (C, Figure 44) forward until it locks into the 4-1/2" (11,4 cm) position.
- Place the cutting height adjustment pin (A) in the desired cutting height.
- Press the deck lift pedal forward and then push the lock lever (D) towards the right to release the lock.
- Slowly release the deck lift foot pedal until it comes to rest against the cutting height adjustment pin.

To set the cutting height at 4-1/2" (11,4 cm):

- While sitting in the operator's seat, press the deck lift foot pedal (C, Figure 44) forward until it locks into the 4-1/2" (11,4 cm) position.
- Place the cutting height adjustment pin (A) in any open cutting height hole. The lift lock lever (D) holds the mower deck at 4-1/2" (11,4 cm) while cutting.

Cutting and Rear Roller Bar Height Adjustment - 61" Decks

The cutting height adjustment pin (A, Figure 47) controls the mower's cutting height. The cutting height is adjustable between 1-1/2" (3,8 cm) and 5" (12,7 cm) in 1/4" (0,64 cm) increments.

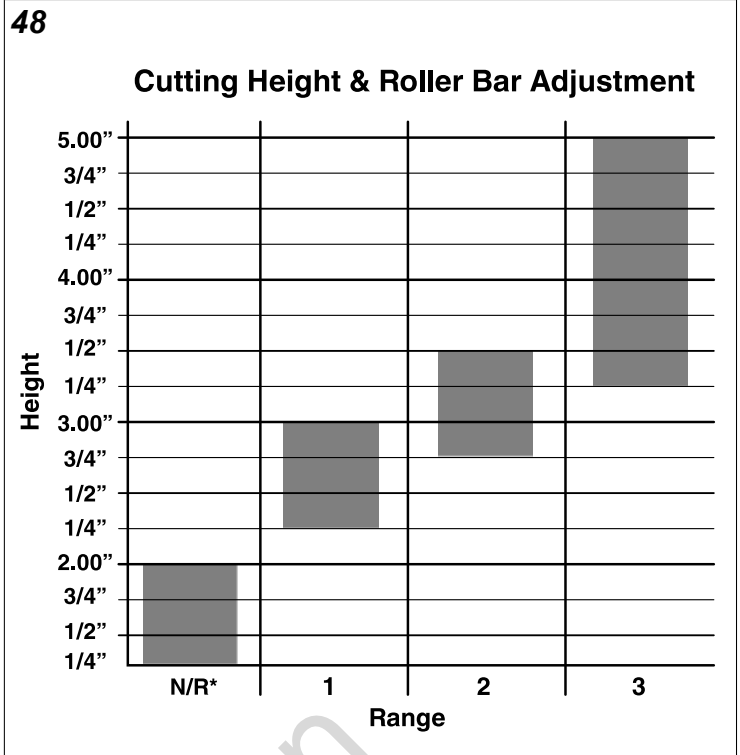


This mower is also equipped with a rear roller bar. The rear roller bar is NOT intended to ride on the ground. The rollers should NOT be adjusted so that the rollers ride on the ground. Rollers riding on the ground could damage the turf and/or the unit. The height range of the rear roller bar needs to be adjusted in relation to the cutting height of the mower deck. The rear roller bar is adjusted by changing the holes that the hair pins are installed in the roller support shaft.

If the desired cutting height is lower than 2" (5,1 cm), the roller should be removed from the mower deck and not used when cutting or it will damage the turf and/or the unit.

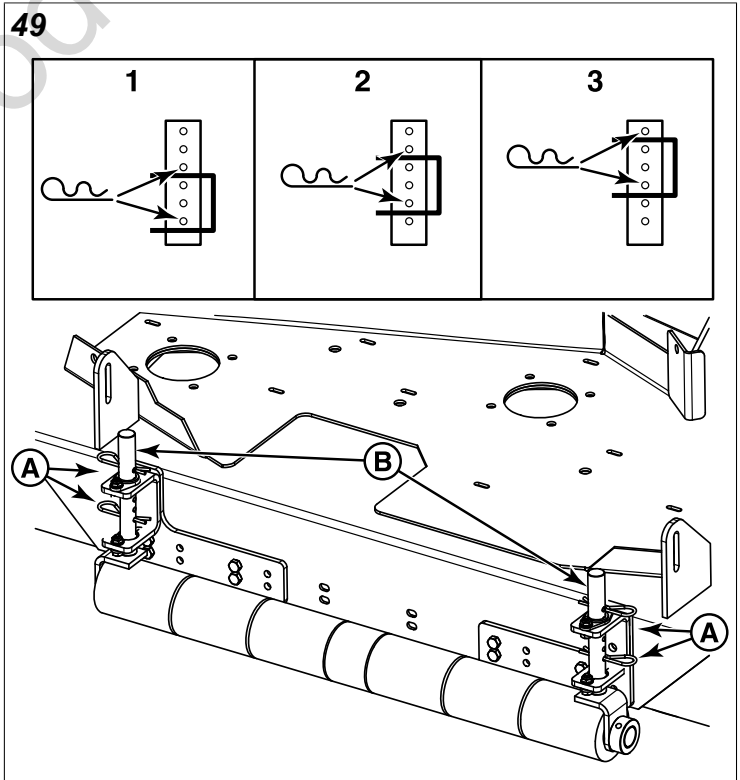
Note: Make sure that the cutting height adjustment pin is inserted into the holes in both the upper and lower plates of the pin box (B).

1. While sitting in the operator's seat, press the deck lift foot pedal (C) forward until it locks into the 5" (12,7 cm) position.
2. Determine the desired cutting height for the mower deck.
3. Use the "Cutting Height & Rear Roller Bar Adjustment" chart (Figure 48) to determine the correct roller bar height range.



*N/R = Not Recommended: The roller should not be used if the cutting height is set within this range.

4. Remove the hair pins (A, Figure 49) from the roller support shaft (B) and position the roller support shaft to the correct height range as indicated in the chart and re-install the hair pins.



5. Repeat the process for the other side of the unit.

Note: The hair pins must be installed in the same range in each roller support shaft for the rear roller bar to be level.

- Set the mower deck to the cutting height using the following steps.

To set the cutting height at 1-1/2" (3,37 cm):

- While sitting in the operator's seat, press the deck lift foot pedal (C, Figure 47) forward until it locks into the 5" (12,7 cm) position.
- Remove the cutting height adjustment pin (A) from the hole that it is installed in.
- Press the deck lift foot pedal forward and then push the lock lever (D) towards the right to release the lock.
- Slowly release the deck lift foot pedal until it comes to rest against the stationary pin (E) in the 1-1/2" (3,37 cm) cutting height hole.
- Place the cutting height adjustment pin in the storage hole (F).

To set the cutting height in the range of 1-3/4" (4,40 cm) and 4-3/4" (12,06 cm):

- While sitting in the operator's seat, press the deck lift foot pedal (C, Figure 47) forward until it locks into the 5" (12,7 cm) position.
- Place the cutting height adjustment pin (A) in the desired cutting height.
- Press the deck lift pedal forward and then push the lock lever (D) towards the right to release the lock.
- Slowly release the deck lift foot pedal until it comes to rest against the cutting height adjustment pin.

To set the cutting height at 5" (12,7 cm):

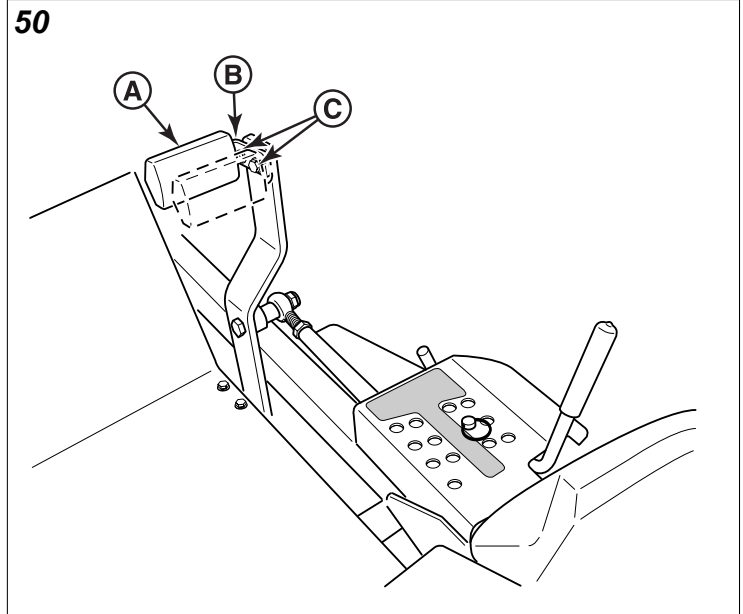
- While sitting in the operator's seat, press the deck lift foot pedal (C, Figure 47) forward until it locks into the 5" (12,7 cm) position.
- Place the cutting height adjustment pin (A) in any open cutting height hole. The lift lock lever (D) holds the mower deck at 5" (12,7 cm) while cutting.

Foot Pedal Adjustment

The deck lift foot pedal can be adjusted to accommodate the operator's height for optimal comfort.

To adjust pedal position:

- Remove the foot pedal (A, Figure 50) from the pedal mount tab (B).

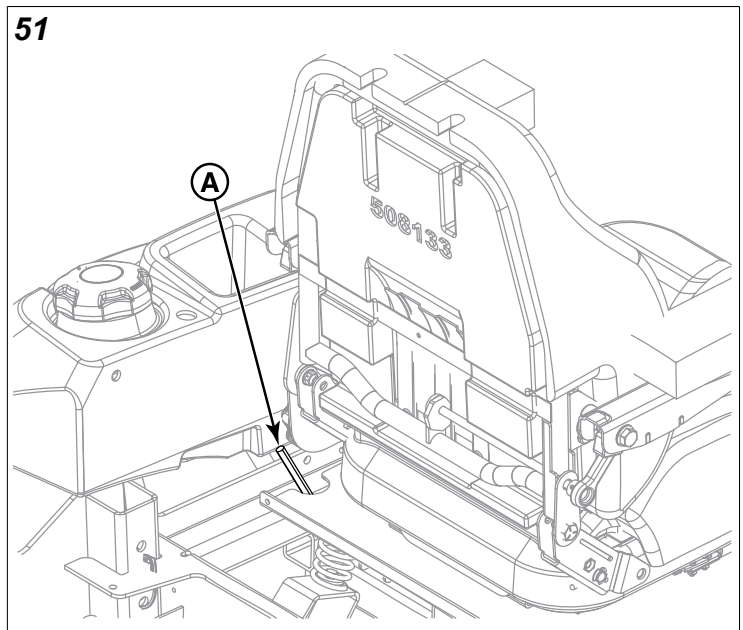


- Remove the pedal mount hardware (C) and rotate the tab 180 degrees.
- Reinstall the pedal mount hardware and tighten securely.
- Reinstall the foot pedal on the pedal mount tab in the proper orientation as shown in Figure 50.

Operating the Seat Latch

Some models are equipped with a seat latch that secures the seat plate in place. The seat latch is located by the left rear corner of the seat plate.

- To raise the seat plate, release the latch by moving the seat latch (A, Figure 51) towards the front of the unit and then raise the seat plate.

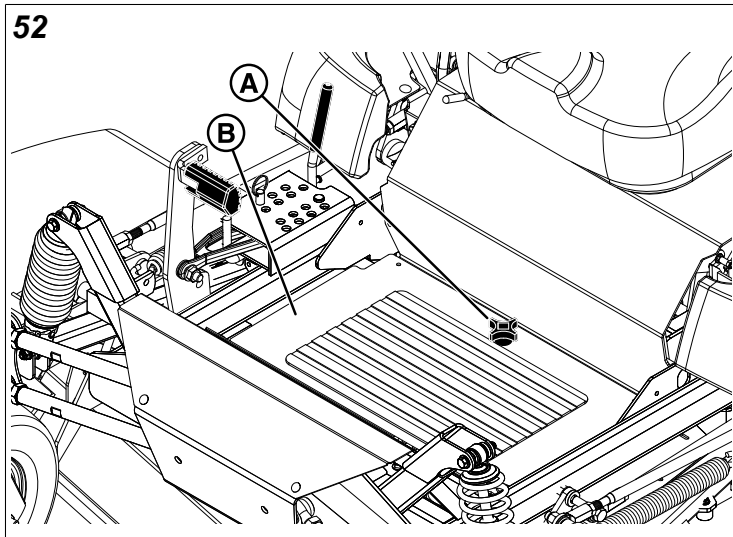


- The seat latch is spring loaded. When the seat plate is lowered back into place the seat latch will lock the seat plate into place.

Floor Pan Removal & Installation

This unit is equipped with a removable floor pan which can be removed to provide better access to the mower deck.

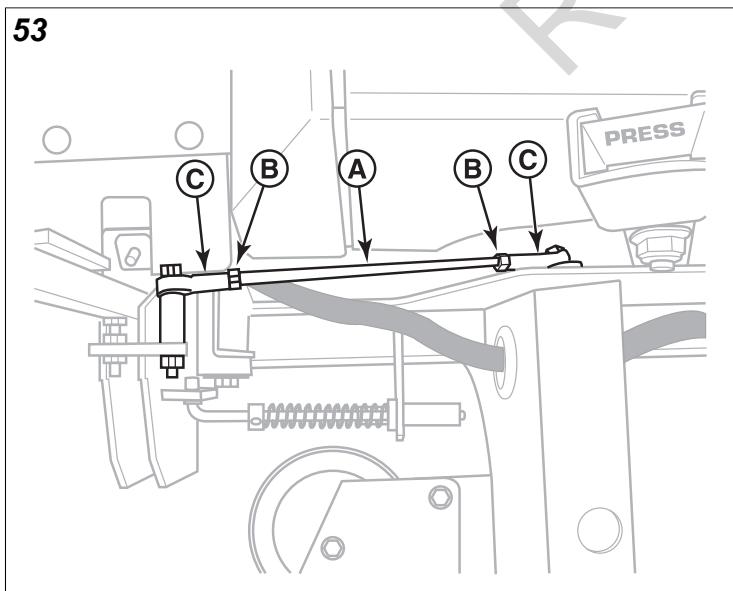
1. Loosen and remove the retaining hardware (A, Figure 52) that secures the floor pan to the frame of the unit.



2. Tilt the back end of the floor pan up and then remove it from the unit.
3. To re-install the floor pan: Reverse the removal procedure.

Neutral Adjustment

The neutral system for this mower consists of two neutral linkage rods and a pivot that connects the ground speed control lever to the transmission. The lower rod that connects the transmission to the pivot is factory preset and should not be changed for neutral adjustment purposes. The adjustment is achieved by changing the length of the upper rod (A, Figure 53) that connects the ground speed control lever to the pivot.



Determining if Adjustment is Necessary: If the zero-turn rider "creeps" while the ground speed control levers are

locked in the NEUTRAL LOCKOUT position, then it may be necessary to adjust the linkage rods.

Note: Perform this adjustment on a hard, level surface such as a concrete floor.

1. Disengage the PTO, engage the parking brake and turn off the engine.
2. There are two nuts (B) on the linkage rod. Loosen the nuts from the ball joints (C) and turn the linkage rod to adjust.
 - If the machine creeps forward, turn the rod **clockwise** (while standing at the rear of the machine, facing forward);
 - If the machine creeps backward, turn the rod **counter-clockwise** (while standing at the rear of the machine, facing forward).
3. Lock the jam nut against the ball joints when neutral is achieved.

Note: This adjustment should not be performed while the machine is running. It may take several attempts to achieve neutral, depending on how much the machine creeps.

Return-to-Neutral Adjustment

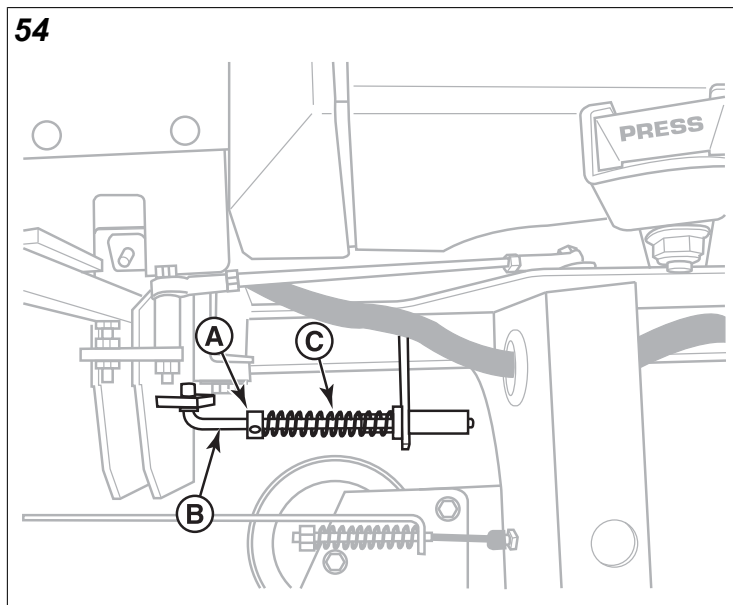
Prior to performing this procedure the Neutral Adjustment Procedure must be completed.



WARNING

To avoid serious injury, perform adjustments only with engine stopped, key removed, and tractor parked on level ground.

1. Position the ground speed control levers into the NEUTRAL LOCKOUT position
2. Loosen the set collar (A, Figure 54) on the neutral return rod (B).



3. Position the set collar along the neutral return rod until it contacts and very lightly compresses the neutral return spring (C).
4. Move the ground speed control levers into the operating position, pull rearward, and release.
5. Move the ground speed control levers out towards the NEUTRAL LOCKOUT position.
 - if the ground speed control lever aligns with the notch in the neutral lock plate, adjustment is complete;
 - if the ground speed control lever stops its return motion past the notch (while standing at the rear of the machine), re-position the set collar so the neutral return spring is less compressed.
 - if the ground speed control lever stops its return motion before the notch (while standing at the rear of the machine), re-position the set collar so that the neutral return spring is more compressed.
6. Repeat the process as necessary until the ground speed control lever aligns with the notch in the neutral lock plate.

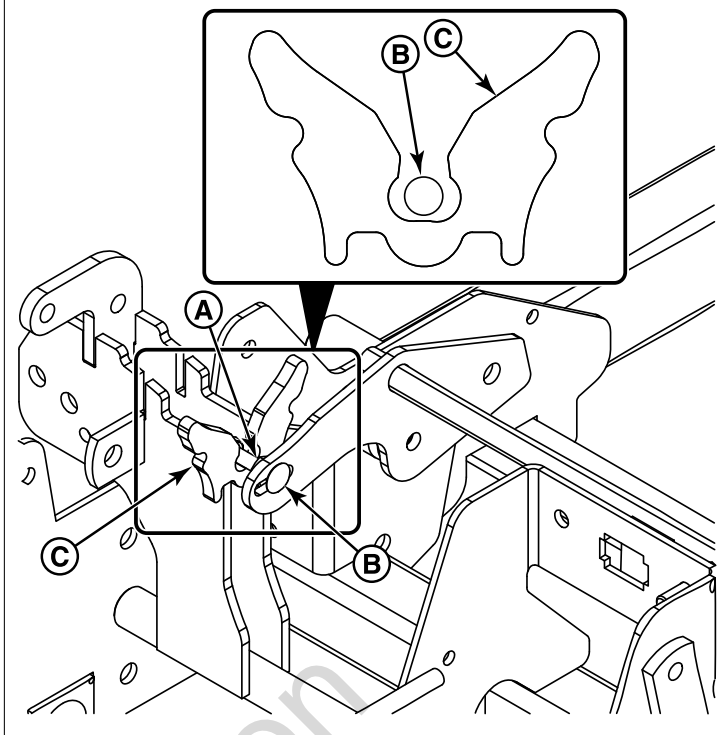
Note: It is important to note that after every adjustment of the neutral return rod, the lever must be pulled rearward and released to properly check the return-to-neutral position.

Neutral Lockout Adjustment

Prior to adjusting the neutral lockout, the neutral and return-to-neutral must be properly adjusted.

1. Park the unit on a flat, level surface such as a concrete floor. Disengage the PTO, engage the parking brake, turn the ignition switch to OFF, and remove the ignition key.
2. Chock the wheels of the unit to prevent movement.
3. Raise the seat to gain access to the neutral lockout components.
4. Loosen the jam nuts (A, Figure 55) on the neutral lockout bolts (B).

55



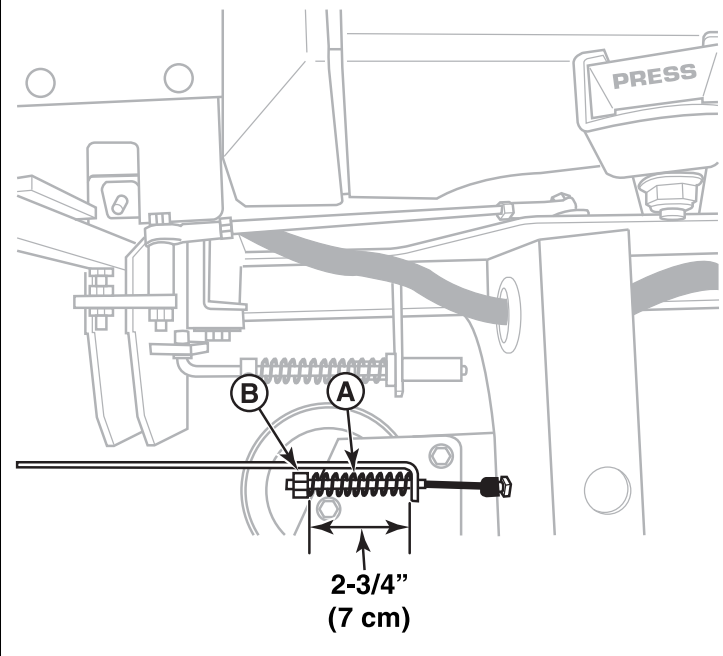
5. Engage the parking brake. The neutral lockout bolts will enter the notches of the neutral lockout plates (C).
6. Position the neutral lockout bolts to the center of the notches of the neutral lockout plates.
7. Re-tighten the jam nuts.

Parking Brake Adjustment

The parking brake mechanism consists of a two parking brake cables, with a spring on both ends, that routes from the transmission to the parking brake lever shaft. The position of the parking brake cables and the compressed length of the lower springs located by the transmissions are factory preset and should not be changed for parking brake adjustment procedures. The adjustment is achieved by changing the compressed spring length of the upper parking brake springs.

1. Disengage the PTO, engage the parking brake, stop the engine, and chock the tires.
2. Raise the seat plate.
3. Locate the parking brake springs (A, Figure 56).

56



4. With the parking brake engaged measure the compressed spring length. The spring should measure 2-3/4" (7 cm) when compressed.
5. If the spring length is not 2-3/4" (7 cm), release the parking brake, and turn the adjustment nut (B) to compress or release the spring.
6. Engage the parking brake and re-measure the spring.

CAUTION

Do not adjust the spring to be shorter than 2-1/2" (6.4 cm) when compressed. This may damage the brake mechanism.

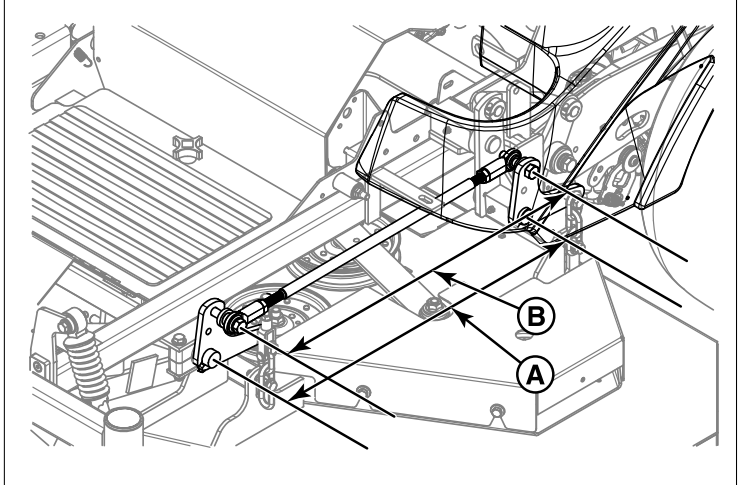
If this does not correct the braking problem, see your dealer.

Deck Lift Rod Timing Adjustment

Check the Deck Lift Rod Timing

1. Park the machine on a flat, level surface. Disengage the PTO, engage the parking brake, turn off the engine and remove the ignition key. Check that the tires are properly inflated.
2. To check the lift rod timing, measure and record the distance between the lift pivots (A, Figure 57) and the rod pivots (B). Repeat for the other side of the unit.

57

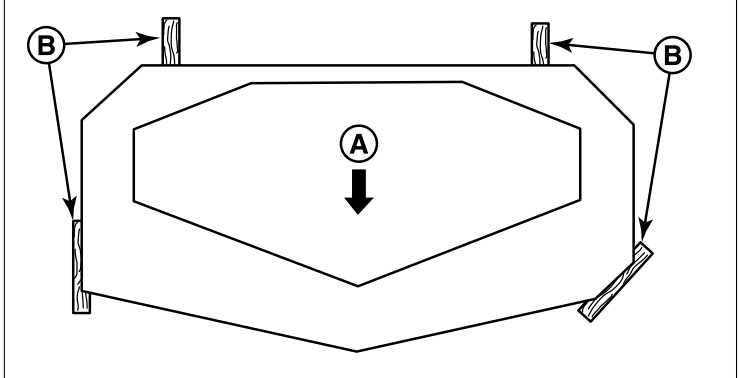


3. If the measurements for the rods are equal, no further adjustment is required. If the measurements are not equal (greater than 1/8" (3.17 mm) difference), adjustment is required, continue with Adjusting the Deck Lift Rod Timing

Adjusting the Deck Lift Rod Timing - 48" and 52" Decks

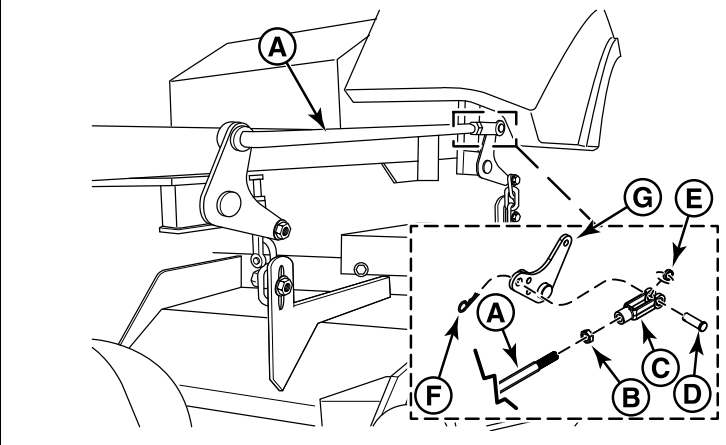
1. Lock the deck lift pedal in the 4-1/2" (11,4 cm) position. Remove the cutting height adjustment pin and lower the mower deck.
2. To ensure that the deck is in it's lowest position, push the pedal by hand towards the rear of the unit and install the height adjustment pin in the 3" (7,6 cm) position to hold in place.
3. Block up the mower deck with 2 X 4's (B, Figure 58) until all hanger chains are slack. The arrow (A) Indicates the front of the mower deck.

58



4. To adjust the deck lift rod (A, Figure 59), loosen the jam nut (B) on the clevis (C) then remove the 1/2" clevis pin (D), spacer (E) and hair pin (F) fastening the clevis to the lift pivot arm (G).

59

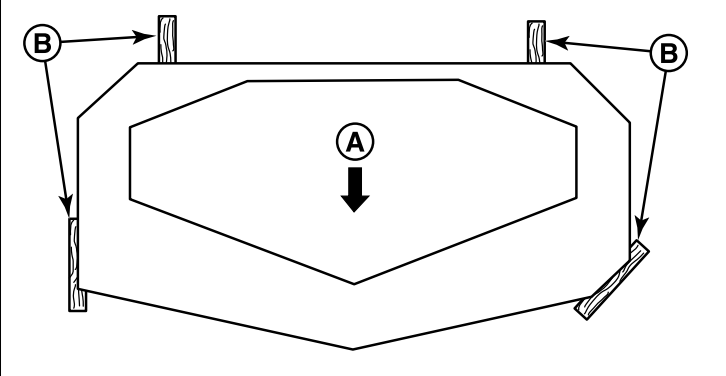


5. Turn the clevis **clockwise** to shorten or **counter-clockwise** to lengthen the distance between the rod pivots until the measurements between the lift pivots and rod pivots are the same.
6. Reinstall the clevis on the lift pivot arm and secure with the 1/2" clevis pin, spacer and hair pin previously removed.
7. Tighten the jam nut against the clevis.
8. Remove the blocks from under the mower deck.
9. Remove the cutting height adjustment pin from in front of the deck lift pedal arm. Lift the mower deck and reinstall the adjustment pin in the desired cutting height.

Adjusting the Deck Lift Rod Timing - 61" Models

1. Lock the deck lift pedal in the 5" (12,7 cm) position. Remove the cutting height adjustment pin and lower the mower deck.
2. To ensure that the deck is in the lowest position, push the pedal by hand towards the rear of the unit and install the height adjustment pin in the 3" (7.6 cm) position to hold it in place.
3. Block up the mower deck with 2 X 4's (B, Figure 60) until all hanger chains are slack. The arrow (A) indicates the front of the mower deck.

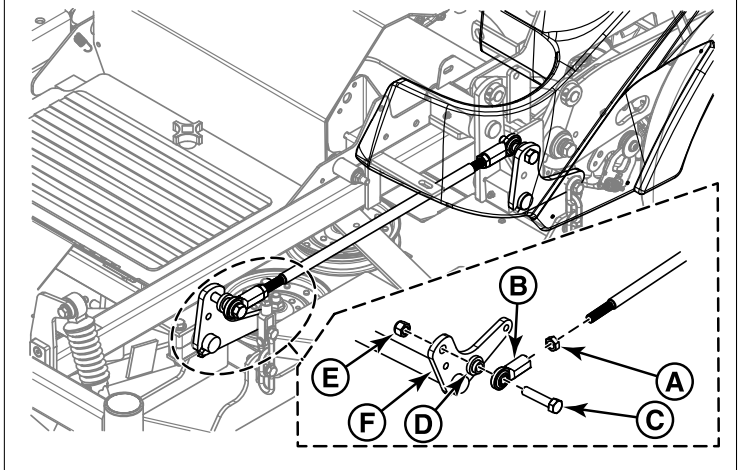
60



4. To adjust the deck lift rod, loosen the jam nut (A, Figure 61) on the front ball joint (B), and then remove the

bolt (C), spacer (D), and nut (E) that secures the ball joint to the lift pivot arm (F).

61



- Turn the ball joint **clockwise** to shorten the distance between the rod pivots;
 - Turn the ball joint **counter-clockwise** to lengthen the distance between the rod pivots.
5. Re-fasten the ball joint to the lift pivot arm with the bolt, spacer, and nut in the same order that they were removed.
 6. Tighten the jam nut against the base of the ball joint.
 7. Remove the blocks from under the mower deck.
 8. Remove the cutting height adjustment pin from in front of the deck lift pedal arm. Lift the mower deck and reinstall the adjustment pin in the desired cutting height.

Deck Leveling Adjustment

1. Park the unit on a flat, level surface. Disengage the PTO, engage the parking brake, turn the ignition switch to OFF, and remove the ignition key.
2. Lock the deck lift pedal in the TRANSPORT position. Place the cutting height adjustment pin in the 4" position and lower the deck lift pedal until the deck lift arm contacts the cutting height adjustment pin.
3. Verify that the tires are inflated to the correct pressure.
4. Verify that the mower blades are flat, and not bent or broken. A bent or broken blade must be replaced.

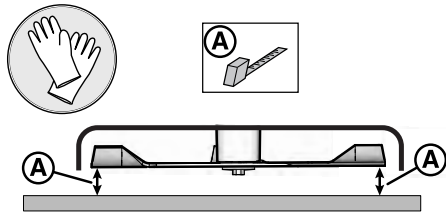


Avoid Injury! Mower blades are sharp.

Always wear gloves when handling blades or working near blades.

5. See Figure 62. Position the outside mower blades so they face front-to-back.

62

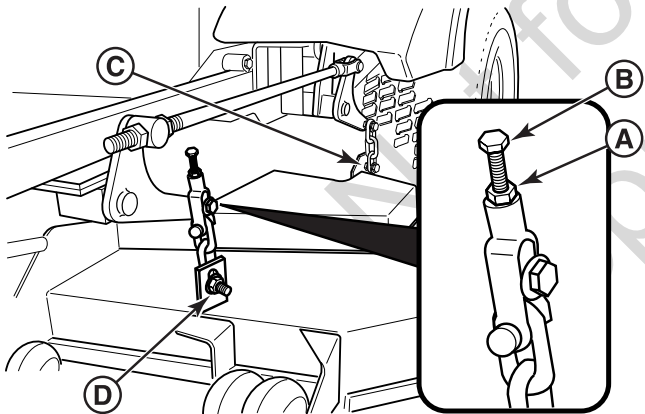


6. Measure the front tip (A, Figure 62) of the blade from the cutting edge to the ground.
7. Measure the rear tip (A) of the blade from the cutting edge to the ground.
8. Repeat the process on the other side of the machine.
 - the front measurements should equal 4" (10,2 cm);
 - the rear measurements should equal 4-1/4" (10,8 cm)

If the measurements do not equal the measurements as listed above, proceed with step #9.

9. Place 2 X 4 blocks under each corner of the mower deck with the 3-1/2" sides being vertical. Place a 1/4" (0,64 cm) thick spacer on the top of the rear blocks.
10. Loosen the nuts (D, Figure 63) and allow the front of the deck to rest on the 2 X 4's. Slide the chains in the slots until the chains are tight and tighten the nuts.

63



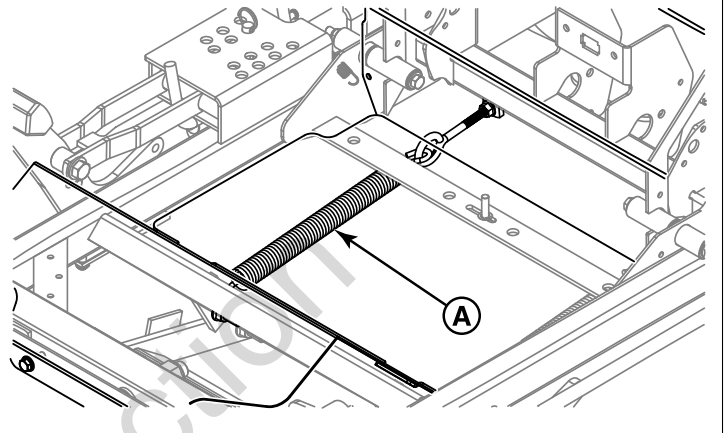
11. Loosen the nuts (C) and allow the rear of the deck to rest on the 2 X 4's and 1/4" spacers. Slide the chains in the slots until the chains are tight and tighten the nuts.
12. Repeat the process for the other side of the unit.
13. Remove all the blocks and spacers for under the mower deck.
14. Repeat steps #4 through #8.
 - If the measurements do not equal 4" (10,2 cm) in the front and 4-1/4" (10,8 cm) in the rear, proceed with step #15.
15. Loosen the jam nut (A) and turn the fine adjustment bolt (B) to adjust the deck height.

- Turn the bolt **clockwise** to raise the deck.
 - Turn the bolt **counter-clockwise** to lower the deck.
16. Once the desired measurements are achieved, re-tighten the jam nut.
 17. Repeat the process for the other side of the unit.

Deck Lift Assist Springs

Some models are equipped with deck lift assist springs (A, Figure 64) that assist the operator in raising the mower deck with the deck lift pedal. The deck lift assist springs are factory set to provide optimal lifting performance.

64



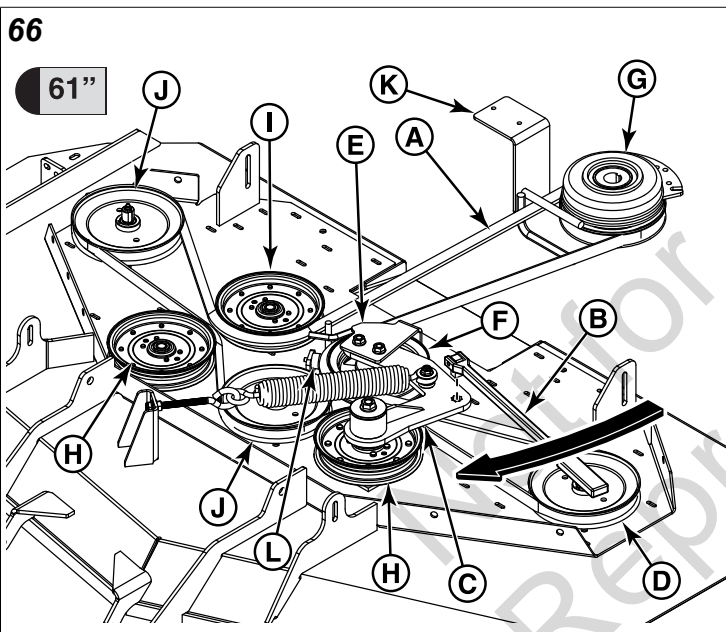
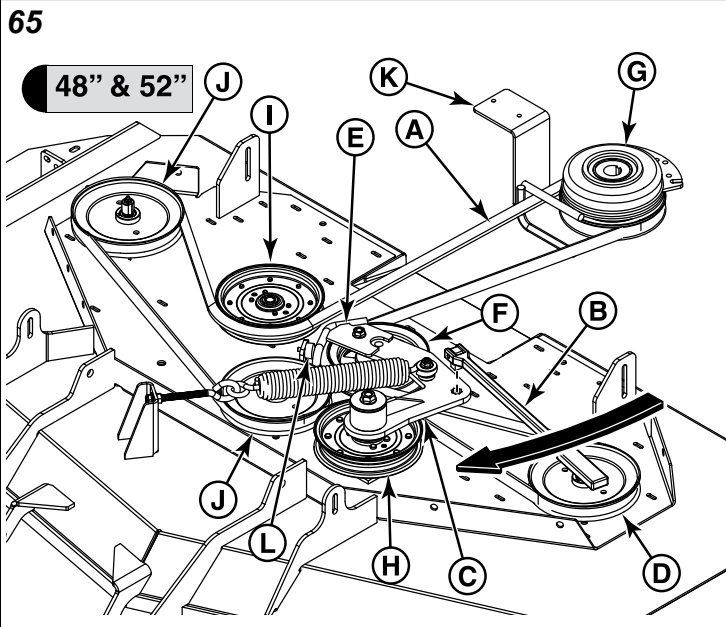
Although it is fastened with a multi-position anchor, this is **not an adjustment point**.

Do NOT attempt to adjust the spring length or lifting performance will be compromised.

Mower Deck Drive Belt Replacement

NOTICE To avoid damaging the belt, **do not pry over pulleys**.

1. Park the unit on a smooth level surface such as a concrete floor. Disengage the PTO, engage the parking brake, turn the ignition switch to OFF, and remove the ignition key.
2. Lower the mower deck to its lowest cutting position and remove the mower deck guards and floor pan to gain access to the mower deck drive belt (A, Figures 65 & 66).



WARNING

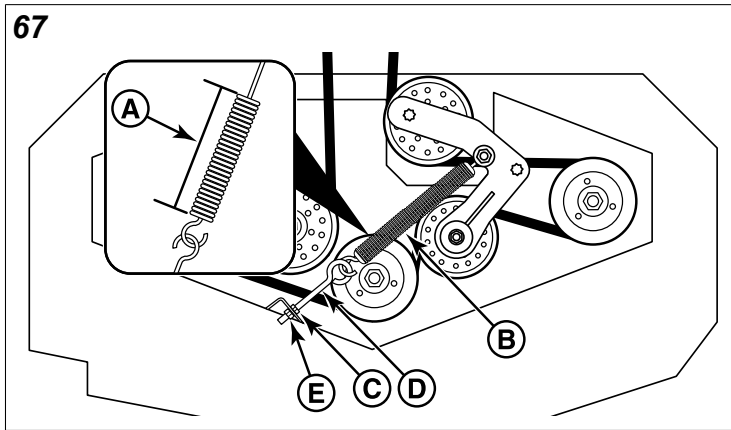
Use extreme caution when rotating the idler arm with the breaker bar, due to the increased tension in the spring as the idler arm is being rotated. Injury may result if the breaker bar is prematurely released while under tension.

3. Using a 1/2" breaker bar (B) place the square end in the opening in the idler arm (C) and rotate the idler arm **clockwise**, which will relieve tension on the belt exerted from the idler arm. Remove the belt from the left hand spindle pulley (D). Pull the length of the belt removed from the spindle pulley toward the center of the deck.
4. Remove the belt from the belt guide (E) installed on the adjustable idler pulley (F).

- **48" & 52" Mower Decks:** Rotate the idler arm **clockwise** so that it is pulled away from the idler arm stop (L, Figure 65). To remove the belt from the belt guide, start with the leg of the belt between the adjustable idler pulley and the PTO clutch pulley (G) and press the belt down below the belt guide and then pull it around and then above the belt guide. Carefully release the tension on the breaker bar.
 - **61" Mower Decks:** Rotate the idler arm **clockwise** so that it is pulled away from the idler arm stop (L, Figure 66). To remove the belt from the belt guide, start with the leg of the belt between the adjustable idler pulley and the PTO clutch pulley (G) and raise the belt up and out of the belt guide. Carefully release the tension on the breaker bar.
5. Remove the old belt from the remaining front stationary idler pulley(s) (H, Figures 65 & 66), rear stationary idler pulley (I), and the remaining spindle pulleys (J).
 6. Install the new belt onto the right hand side and the center spindle pulleys (J) and the PTO clutch pulley (G). Make sure that the V-side of the belt runs in the pulley grooves and that the belt is correctly routed through the PTO clutch belt guide (K) and that the back side of the belt contacts the faces of the front stationary idler pulley(s) (H) and the rear stationary idler pulley (I).
 7. Install the belt into the belt guide installed on the adjustable idler pulley.
 - **48" & 52" Mower Decks:** Rotate the idler arm **clockwise** so that it is pulled away from the idler arm stop. To install the belt into the belt guide, start with the leg of the belt between the adjustable idler pulley and the PTO clutch pulley and raise the belt up into the belt guide. Pull the length of the belt towards the left hand spindle pulley. Carefully release the tension on the breaker bar.
 - **61" Mower Decks:** Rotate the idler arm **clockwise** so that it is pulled away from the idler arm stop. To install the belt into the belt guide, start with the leg of the belt between the adjustable idler pulley and the PTO clutch pulley and lower the belt down and into the belt guide. Pull the length of the belt towards the left hand spindle pulley. Carefully release the tension on the breaker bar.
 8. Verify that the V-side of the belt runs in the grooves of the right hand side and center spindle pulleys and the PTO clutch pulley. Verify that the back side of the pulley contacts the face of the adjustable idler pulley, front stationary idler pulley(s), and the rear stationary idler pulley. Verify that the belt is correctly routed through the belt guides.
 9. Rotate the idler arm **clockwise** and install the belt on the left hand spindle pulley.
 10. Carefully release the tension on the breaker bar.
 11. Set the mower deck to the 3-1/2" (8,9 cm) cutting height.
 12. Use the *Belt Tensioning Spring Length* chart to determine the correct spring length for your unit.

Belt Tensioning Spring Length	
Deck Size	Measurement
48"	11" (27,9 cm)
52"	11" (27,9 cm)
61"	12" (30,5 cm)

13. Measure the coil length (A, Figure 67) of the mower belt idler tensioning spring (B). The measurement should equal the measurement as indicated in the chart. If not, continue with step #14.

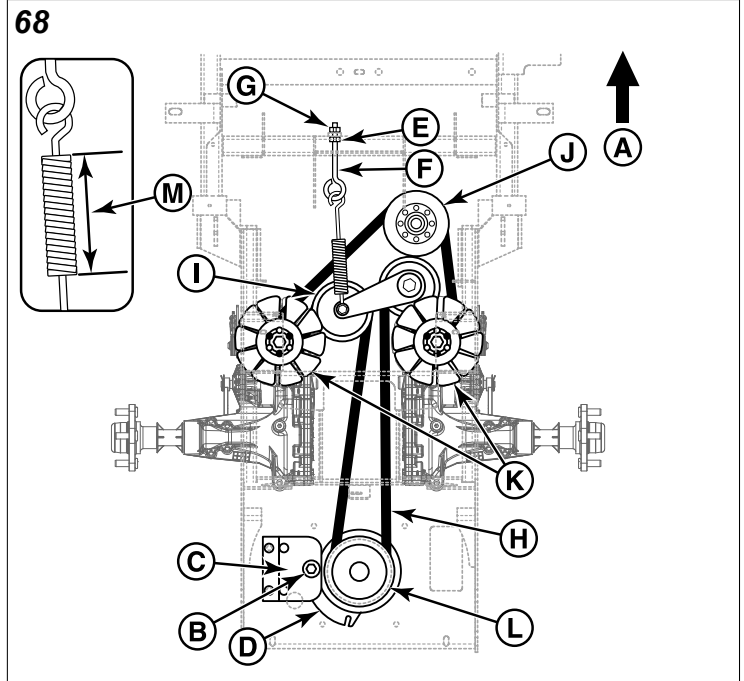


14. Loosen the jam nut (C) on the eye bolt (D).
 15. Turn the adjustment nut (E) until the measurement as indicated in the chart is achieved.
 16. Re-tighten the jam nut.
 17. Re-install the mower deck guards and the floor pan.
 18. Run the mower under no-load condition for about five (5) minutes to break in the new belt.

Transmission Drive Belt Replacement

Figure 68 depicts the transmission drive belt setup as seen from the top side of the unit and the arrow (A, Figure 68) indicates the front of the unit.

Some steps in this procedure are identified as being specific to models with 61" mower decks.



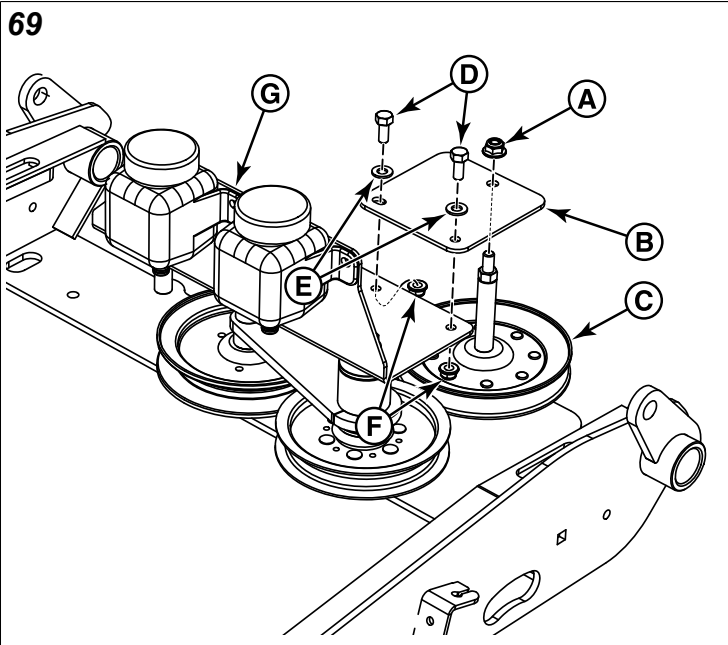
1. Park the mower on a smooth, level surface such as a concrete floor. Disengage the PTO, engage the parking brake, turn the ignition switch to OFF, and remove the ignition key.
2. Remove the mower deck drive belt. See **Mower Drive Belt Replacement** for removal instructions.
3. Remove the hardware (B) that secures the clutch anchor pad (C) to the PTO clutch (D) and disconnect the wire harness from the PTO clutch.



WARNING

STORED ENERGY DEVICE: Improper release of the belt tension spring can result in personal injury. Use extreme caution when removing the spring.

4. Loosen the jam nut (E) on the spring anchor eye bolt (F).
5. Loosen the adjustment nut (G) on the spring anchor eye bolt to release the majority of the belt tension. Use caution to remove the nut to completely release the tension.
6. **61" Mower Deck Models Only:** Loosen the 3/8" nylock flange nut (A, Figure 69) that secures the pulley support plate (B) to the front stationary pulley stack-up (C).



7. **61" Mower Deck Models Only:** Remove the two (2) 5/16" bolts (D), 5/16" flat washers (E), and 5/16" nylock flange nuts (F) that secure the pulley support plate to the hydraulic tank mount plate (G). Rotate the pulley support plate away from the hydraulic tank mount so that the belt can be removed from the machine.
8. Remove the old belt and replace with a new one (H, Figure 68). Make sure the V-side of the belt runs in the grooves of the adjustable idler pulley (I), front stationary idler pulley (J), both transmission pulleys (K) and the crankshaft pulley (L).
9. **61" Mower Deck Models Only:** Rotate the pulley support plate (B, Figure 69) back into position and secure to the hydraulic tank mount plate (G) using the two (2) 5/16" bolts (D), 5/16" flat washers (E), and 5/16" nylock flange nuts (F).
10. **61" Mower Deck Models Only:** Re-tighten the 3/8" nylock flange nut (A) that secures the pulley support plate (B) to the front stationary pulley stack-up (C).
11. Reinstall the spring anchor eye bolt (F, Figure 68) into the spring anchor tab and loosely fasten the adjustment nut.
12. Refer to the Transaxle Spring Length chart for the correct measurement for your unit:

Transaxle Spring Length	
Deck Size	Measurement
48"	5" (12,7 cm)
52"	5" (12,7 cm)
61"	5-3/4" (14,6 cm)

13. Tighten the nut until the spring achieves the coil-to-coil measurement (M) as indicated in the chart.
14. Tighten the jam nut (E).
15. Reinstall the clutch anchor pad (C) to the PTO clutch (D) and secure using the hardware (B) previously removed. Reconnect wire harness to the PTO clutch.

16. Reinstall the mower deck drive belt. See **Mower Drive Belt Replacement** for instructions.

Rear Suspension Adjustment

The shock assembly can be adjusted in two ways to allow the operator to customize the ride according to operator's weight and/or operating conditions. You have the option of adjusting the spring pre-load and/or the upper mounting position.

Items to consider before adjusting the suspension.

- Less spring pre-load should be used with light weight operators, which will provide a softer, more cushioned ride.
- More spring pre-load or upper mounting position #2 should be used with heavy weight operators, or when a rear-mount grass bagger system is installed, which will provide a stiffer, more rigid ride.

To Adjust the Spring Pre-Load:

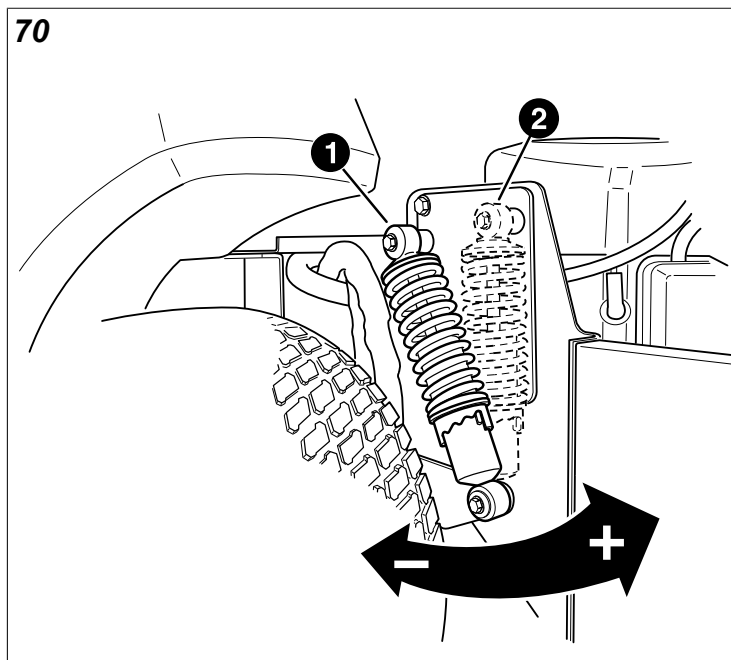
1. Park machine on a flat, level surface. Disengage the PTO, stop the engine and engage the parking brake.
2. Raise the rear of the machine and secure with jack stands. Chock the front wheels to prevent the machine from rolling.
3. Remove the rear drive tires.



WARNING

Use two hands when adjusting the shock springs. This will prevent the wrench from slipping while pressure is applied.

4. See Figure 70. Using the supplied spanner wrench (p/n 5022853), insert the tip of the wrench into the notch in the pre-load adjuster. While holding the wrench in place with one hand, turn **counter-clockwise** to increase the pre-load, turn **clockwise** to decrease the pre-load. Make sure both shocks are set to the same amount of pre-load.



- Reinstall the rear drive tires. Torque the lug bolts to 85-95 ft/lbs. (115-129 Nm). Remove the jackstands from under the machine.

NOTE: Spanner wrench is located under the seat on the right-hand side of the machine.

To Adjust the Upper Mounting Position:

- Park machine on a flat, level surface. Disengage the PTO, stop the engine and engage the parking brake.
- Raise the rear of the machine and secure with jack stands. The jack stands must be under the bumper. Chock the front wheels to prevent the machine from rolling.
- Position the jack under the cross member that ties the suspension arms together and slowly raise the rear suspension to relieve the pressure on the upper shock mounting bolts.

Note: This will require small adjustments to the jack's position. The shock should move freely on the mounting bolt when the pressure is relieved.

- Remove the upper shock mounting hardware and pivot the shock to the position #2 (see Figure 70). Adjust the jack to align the shock mounts to the shocks.
- Reinstall the upper shock mounting hardware and tighten securely.
- Remove the jack from under the suspension cross member.
- Remove the jack stands from under the machine.

Cleaning the Battery and Cables

This unit is equipped with a maintenance-free BCIU1 battery.

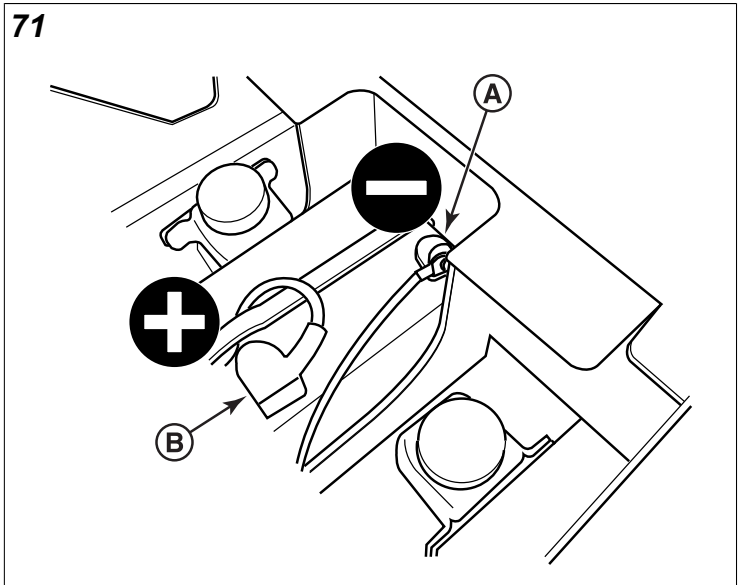


WARNING

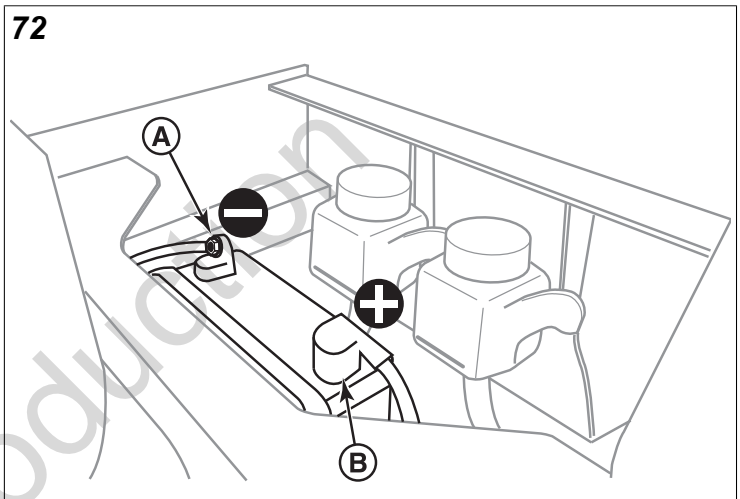
Keep open flames and sparks away from the battery.

- Be careful when handling the battery.
 - Avoid spilling electrolyte.
 - Keep flames and sparks away from the battery.
 - When removing or installing battery cables, disconnect the negative cable FIRST and reconnect it LAST. If not done in this order, the positive terminal can be shorted to the frame by a tool.
- Disconnect the cables from the battery, negative [-] cable first (A, Figure 71 for models with 48" and 52" decks; 72 for models with 61" decks).

71



72



- Clean the battery terminals and cable ends with a wire brush until shiny.
- Reinstall the battery and reattach the battery cables, positive [+] cable first (B).
- Coat the cable ends and the battery terminals with petroleum jelly or non-conducting grease.

Battery Charging

A dead battery or one too weak to start the engine may be the result of a defect in the charging system or other electrical component. If there is any doubt about the cause of the problem, see your dealer. If you need to replace the battery, see *Cleaning the Battery & Cables*.

To charge the battery, follow the instructions provided by the battery charger manufacturer as well as all warnings included in the safety rules sections of this book. Charge the battery until fully charged (until the specific gravity of the electrolyte is 1.250 or higher and the electrolyte temperature is at least 60° F). Do not charge at a rate higher than 10 amps

Troubleshooting

While normal care and regular maintenance will extend the life of your equipment, prolonged or constant use may

eventually require that service be performed to allow it to continue to operating properly.

This troubleshooting guide lists the most common problems, their causes and remedies.

Refer to **Maintenance Procedures** for instructions on how to perform most of these minor adjustments and service repairs yourself. If you prefer, all of these procedures can be performed for you by your local authorized dealer.



WARNING Remove ignition key prior to performing maintenance on the unit.

To avoid serious injury, perform maintenance on the unit or mower deck only when the engine is stopped and the parking brake is engaged.

Always remove the ignition key, disconnect the spark plug wire(s) and fasten it away from the plug(s) before beginning the maintenance, to prevent accidental starting of the engine.

Troubleshooting Charts

Troubleshooting the Rider

Problem: Engine will not turn over or start.	
Cause	Remedy
Parking brake not engaged.	Engage parking brake.
PTO (electric clutch) switch in ON position.	Place in OFF position.
Ground speed control levers not in "NEUTRAL" position.	Move ground speed control levers to the "NEUTRAL" position.
Out of fuel.	If engine is hot, allow it to cool, then refill the fuel tank.
Engine flooded.	Move choke control to the closed position.
Fuse blown.	Replace fuse.
Battery terminals require cleaning.	Clean the battery terminals.
Battery discharged or dead.	Recharge or replace.
Wiring loose or broken.	Visually check wiring and replace broken or frayed wires. Tighten loose connections.
Solenoid or starter motor faulty.	Repair or replace. See authorized dealer.
Safety interlock switch faulty.	Replace as needed. See authorized dealer.
Spark plug(s) faulty, fouled, or incorrectly gapped.	Clean and gap, or replace. See engine operator's manual.
Water in fuel.	Drain fuel and replace with fresh fuel.
Gas is old or stale.	Drain fuel and replace with fresh fuel.

Problem: Engine starts hard or runs poorly.	
Cause	Remedy
Fuel mixture too rich.	Clean air filter. Check choke adjustment.
Spark plug(s) faulty, fouled, or incorrectly gapped.	Clean and gap, or replace. See engine operator's manual.

Problem: Engine knocks.	
Cause	Remedy
Low oil level.	Check and add oil as required.
Using wrong grade oil.	See engine operator's manual.

Problem: Excessive oil consumption.	
Cause	Remedy
Engine running too hot.	Clean engine fins, blower screen, and air cleaner.
Using wrong weight oil.	See engine operator's manual.
Too much oil in crankcase.	Drain excess oil.

Engine exhaust is black.	
Cause	Remedy
Dirty air filter.	Replace air filter. See engine operator's manual.
Engine choke is in closed position.	Open choke control.

Problem: Engine runs, but rider will not drive.	
Cause	Remedy
Transmission release lever(s) in "free-wheel" position	Move transmission release lever(s) to the "drive" position.
Belt is broken.	Replace belt. See Transmission Drive Belt Replacement.
Drive belt slips.	See problem and cause below.
Brake is not fully released.	See authorized dealer.

Problem: Rider drive belt slips.	
Cause	Remedy
Pulleys or belt is greasy or oily.	Clean as required.
Tension too loose.	Adjust the spring tension. See Transmission Drive Belt Replacement.
Belt stretched or worn.	Replace belt.

Problem: Brake will not hold.	
Cause	Remedy
Brake is incorrectly adjusted.	See Parking Brake Adjustment.
Braking components in transmission worn.	See authorized dealer.

Problem: Rider steers or handles poorly.	
Cause	Remedy
Steering lever linkages are loose.	Check and tighten any loose connections.
Improper tire inflation.	See Checking Tire Pressures

Troubleshooting the Mower Deck

Problem: Mower will not raise.	
Cause	Remedy
Lift linkage not properly attached or damaged.	See authorized dealer.

Problem: Engine stalls easily with mower engaged.	
Cause	Remedy
Engine speed too slow.	Set to full throttle.
Ground speed too fast.	Decrease ground speed.

Problem: Engine stalls easily with mower engaged.	
Cutting height set too low.	Cut tall grass at maximum cutting height during first pass.
Discharge chute jamming with cut grass.	Cut grass with discharge pointing towards previously cut area.

Problem: Excessive mower vibration.	
Cause	Remedy
Blade mounting bolts are loose.	Tighten to 120 ft-lbs (163 Nm).
Mower blades, arbors, or pulleys are bent.	Check and replace as necessary.
Mower blades are not balanced.	Remove, sharpen, and balance blades. See Servicing the Mower Blades.
Belt installed incorrectly.	Reinstall the belt correctly.

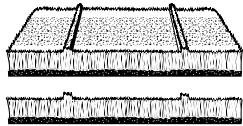
Problem: Excessive belt wear or breakage.	
Cause	Remedy
Bent or rough pulleys.	Repair or replace.
Using incorrect belt.	Replace with correct belt.

Problem: Mower drive belt slips, or fails to drive.	
Cause	Remedy
Idler pulley spring broken, or not properly attached.	Repair or replace as needed.
Mower drive belt broken.	Replace mower drive belt.

Problem: Mower does not engage.	
Cause	Remedy
Electrical wiring damage.	Locate and repair damaged wire.
Battery voltage too low.	Recharge battery and check alternator. See Battery Maintenance.

Troubleshooting Common Cutting Problems

Problem: Striking	
Striking is when thin strips of uncut grass are left behind the mower. Striking is usually caused by operator error or poor blade maintenance.	



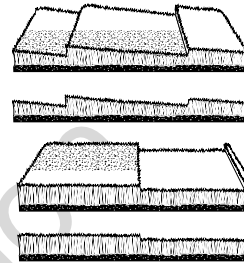
Cause	Remedy
Blades are not sharp.	Sharpen your blades.
Blades are worn down too far.	Replace your blades.
Engine speed is too slow.	Always mow at full throttle.
Ground speed is too fast.	Slow down.
Deck is plugged with grass.	Clean out the mower.
Not overlapping cutting rows enough.	Overlap your cutting rows
Not overlapping enough when turning.	When turning your effective cutting width decreases—overlap more when turning.

Problem: Scalping	
Scalping is when the mower deck comes close to or hits the ground. Scalping can be caused by the mower deck misadjustment, unevenness in the lawn, or by mower deck bouncing because the ground speed is too fast.	

Problem: Scalping	

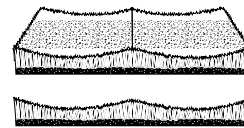
Cause	Remedy
Lawn is uneven or bumpy.	Roll or level the lawn.
Mower deck cutting height is set too low.	Raise the cutting height.
Ground speed is too fast.	Slow down.
Deck is not leveled correctly.	Correctly level the deck.
Tire pressure is low or uneven.	Check and inflate the tires.

Problem: Stepped Cutting	
Stepped cutting is sharp ridges or uneven levels left in the lawn surface. Stepped cutting is usually caused by mower deck damage or misadjustment, or damage to the mower blades.	



Cause	Remedy
Deck is not leveled correctly.	Level the deck correctly.
Tires are not properly inflated.	Check and inflate the tires.
Blades are damaged.	Replace the blades.
Deck shell is damaged.	Repair or replace the deck.
Mower spindle is bent or loose.	Repair or replace the spindle.
Blades are installed incorrectly.	Reinstall the blades correctly.

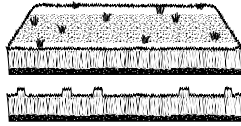
Problem: Uneven Cutting	
Uneven cutting is waviness or smooth troughs in the lawn surface. Uneven cutting is usually caused by mower deck damage or misadjustment.	



Cause	Remedy
Deck is not leveled correctly.	Level the deck correctly.
Blades are dull or worn.	Sharpen or replace the blades.
Blades are damaged.	Replace the blades.
Deck is clogged with grass clippings.	Clean out the deck.
Deck shell is damaged.	Repair or replace the deck.
Mower spindle is bent or loose.	Repair or replace the spindle.
Blades are installed incorrectly.	Reinstall the blades correctly.
Tires are not properly inflated.	Check and inflate the tires.

Problem: Stringers	
Stringers are sparse patches of uncut grass left behind the mower. Stringers are usually caused by operator error or poor blade maintenance.	

Problem: Stringers



Cause	Remedy
Blades are not sharp or nicked.	Sharpen your blades.
Blades are worn down too far.	Replace your blades.
Engine speed is too slow.	Always mow at full throttle.
Ground speed is too fast.	Slow down.
Deck is plugged with grass.	Clean out the mower.

Specifications

Specifications are correct at time of printing and are subject to change without notice.

ENGINE

For complete engine specifications see the engine manufacturer's operator's manual included with your unit.

Fits models: 5901742, 5901743, & 5901744

Briggs & Stratton Commercial Turf 44T977	
Make	Briggs & Stratton
Model	44T977-0005-G1
Electrical System	12 volt, 16 amp. alternator; Battery. 340 cca

CHASSIS

Fuel Tank Capacity	6 gallons (22,7 L) total
Rear Wheels	
Tire Size	22 X 11 - 10
Inflation Pressure	15 psi (1,03 bar)
Front Wheels	
Tire Size (Serial Number: 4000771923 and below)	13 X 5 - 6
Tire Size (Serial Number: 4000771924 and above)	13 X 6.5 - 6
Inflation Pressure	25 psi (1,72 bar)

TRANSMISSIONS

Make	Hydro-Gear®
Units with 48" & 52" Mower Deck	
LH Model (S/N: 4001546972 and below)	ZJ-KYEF-8T7C-14RX (5105085)
RH Model (S/N: 4001546972 and below)	ZJ-GYEF-8T7B-14RX (5105086)
LH Model (S/N: 4001546973 and above)	ZJ-KYEF-9T7C-14RX (5109252)
RH Model (S/N: 4001546973 and above)	ZJ-GYEF-9T7B-14RX (5109251)
Type	ZT3200 transaxles
Units with 61" Mower Deck	

LH Model (S/N: 4001546972 and below)	ZS-KHEF-8T7C-11RX (5103589)
RH Model (S/N: 4001546972 and below)	ZS-GHEF-8T7B-11RX (5103590)
LH Model (S/N: 4001546973 and above)	ZJ-KYEF-9T7C-1GRX (5109254)
RH Model (S/N: 4001546973 and above)	ZJ-GYEF-9T7B-1GRX (5109253)
Type	ZT3400 transaxles
Hydraulic Fluid	SAE 20W-50 motor oil
Speeds @ 3400 rpm	
Forward	0-9.5 MPH (0-15,3 km/h)
Reverse	0-5 MPH (0-8 km/h)

DIMENSIONS

Models with 52" Mower Deck	
Overall Length	80" (203 cm)
Overall Width (with discharge chute down)	66-3/4" (170 cm)
Overall Width (with discharge chute up)	56-1/2" (144 cm)
Overall Height	68" (173 cm)
Weight (approximate)	987 lbs (448 kg)

Models with 61" Mower Deck	
Overall Length	80" (203 cm)
Overall Width (with discharge chute down)	75-3/4" (192 cm)
Overall Width (with discharge chute up)	65-1/2" (166 cm)
Overall Height	68" (173 cm)
Weight (approximate)	1080 lbs (490 kg)

Warranty

If your unit is equipped with a dual function hour meter that displays both engine hours and PTO hours, the warranty is based on the engine hours as displayed by the hour meter.

Warranty Statement

BRIGGS & STRATTON WARRANTY POLICY (November 2018)

LIMITED WARRANTY

Briggs & Stratton warrants that, during the warranty period specified below, it will repair or replace, free of charge, any part that is defective in material or workmanship or both. Transportation charges on product submitted for repair or replacement under this warranty must be borne by purchaser. This warranty is effective for and is subject to the time periods and conditions stated below. For warranty service, find the nearest Authorized Service Dealer in our dealer locator map at simplicitymfg.com. The purchaser must contact the Authorized Service Dealer, and then make the product available to the Authorized Service Dealer for inspection and testing.

There is no other express warranty. Implied warranties, including those of merchantability and fitness for a particular purpose, are limited to the warranty period

listed below, or to the extent permitted by law . Liability for incidental or consequential damages are excluded to the extent exclusion is permitted by law. Some states or countries do not allow limitations on how long an implied warranty lasts, and some states or countries do not allow the exclusion or limitation of incidental or consequential damages, so the above limitation and exclusion may not apply to you. This warranty gives you specific legal rights and you may also have other rights which vary from state to state or country to country.**

WARRANTY PERIOD		
Item	Consumer Use	Commercial Use
Equipment	4 years (48 months) or 500 hours, whichever occurs first	4 years (48 months) or 500 hours, whichever occurs first
Fabricated Deck	Limited Lifetime Warranty	1 year (12 months)
Engine*	See Engine Operator's Manual	See Engine Operator's Manual
Battery (if equipped)	1 year (12 months)	1 year (12 months)

* Emissions-related components are covered by the Emissions Warranty Statement

** In Australia - Our goods come with guarantees that cannot be excluded under the Australian Consumer Law. You are entitled to a replacement or refund for a major failure and for compensation for any other reasonably foreseeable loss or damage. You are also entitled to have the goods repaired or replaced if the goods fail to be of acceptable quality and the failure does not amount to a major failure. For warranty service, find the nearest Authorized Service Dealer in our dealer locator map at simplicitymfg.com (Select region: Australia), or by calling 1300 274 447, or by emailing or writing to salesenquires@briggsandstratton.com.au, Briggs & Stratton Australia Pty Ltd, 1 Moorebank Avenue, NSW, Australia, 2170.

The warranty period begins on the date of purchase by the first retail or commercial customer.

To ensure prompt and complete warranty coverage, register your product at the website shown above or at www.onlineproductregistration.com, or mail the completed registration card (if provided), or call 1-800-743-4115 (in USA).

Save your proof of purchase receipt. If you do not provide proof of the initial purchase date at the time warranty service is requested, the manufacturing date of the product will be used to determine the warranty period. Product registration is not required to obtain warranty service on Briggs & Stratton products.

ABOUT YOUR WARRANTY

Warranty service is available only through *Simplicity* Authorized Service Dealers. This warranty only covers defects in materials or workmanship. It does not cover damage caused by improper use or abuse, improper maintenance or repair, normal wear and tear, or stale or unapproved fuel.

Improper Use and Abuse - The proper, intended use of this product is described in the Operator's Manual. Using the product in a way not described in the Operator's Manual or using the product after it has been damaged will not be covered under this warranty. Warranty coverage will also not be provided if the serial number on the product has been removed or the product has been altered or modified in any way, or if the product has evidence of abuse such as impact damage, or water/chemical corrosion damage.

Improper Maintenance or Repair - This product must be maintained according to the procedures and schedules provided in the Operator's Manual, and serviced or repaired using genuine Briggs & Stratton parts or equivalent. Damage caused by lack of maintenance or use of non-original or non-equivalent parts is not covered by warranty.

Normal Wear and Tear - Like all mechanical devices, the unit is subject to wear even when properly maintained. This warranty does not cover replacement or repairs when normal use has exhausted the life of a part or the equipment. Except as noted in the warranty period, maintenance and wear items such as filters, belts, cutting blades, and brake pads (except engine brake pads) are not covered by warranty due to wear characteristics alone, unless the cause is due to defects in material or workmanship.

Stale or Unapproved Fuel - In order to function correctly, this product requires fresh fuel that conforms to the criteria specified in the Operator's Manual. Engine or equipment damage caused by stale fuel or the use of unapproved fuels (such as E15 or E85 ethanol blends) is not covered by warranty.

Other Exclusions - This warranty excludes damage due to accident, abuse, modifications, alterations, improper servicing, freezing or chemical deterioration. Attachments or accessories that were not originally packaged with the product are also excluded. This warranty does not include used, reconditioned, second-hand, or demonstration equipment or engines. This warranty also excludes failures due to acts of God and other force majeure events beyond the manufacturer's control.

5417038 Revision -

Simplicity[®]

Simplicity
www.simplicitymfg.com