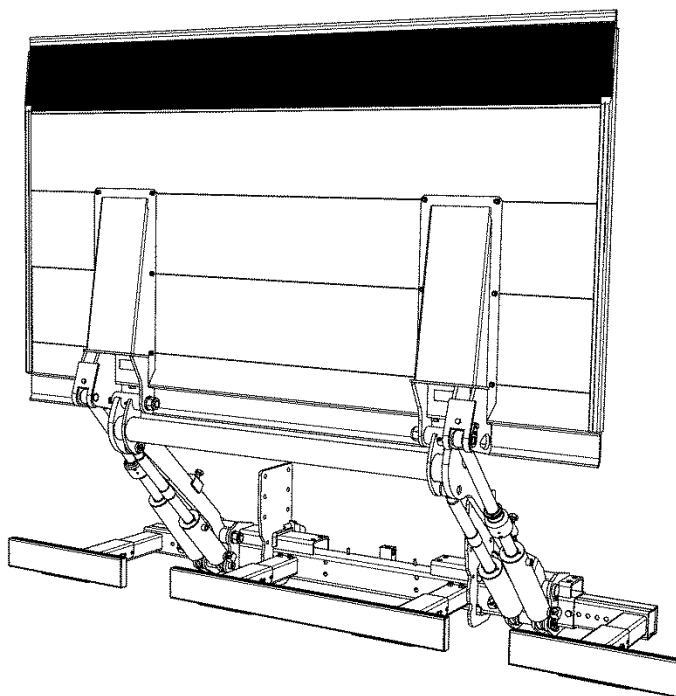


# Parts Manual

## Z100 SERIES

2200 lb. Liftgates



This manual identifies parts for Liftgates manufactured: 11/2015

### Z100

#### Last Change

<i>Date</i>	<i>Page(s)</i>	<i>Description</i>
10/2016	*	INITIAL RELEASE

**Waltco Lift Corp.**  
**Corporate Office United State**  
285 Northeast Ave.  
Tallmadge, OH 44278  
P: 330.633.9191  
F: 330.633.1418

**Waltco Lift Corp.**  
**United States**  
620 S Hambledon Ave.  
City of Industry, CA 91744  
P: 626.964.0990  
F: 626.964.0149

**Waltco Lift Inc.**  
**Canada**  
90 North Queen St.  
Etobicoke, ON M8Z 2C5  
P: 888.343.4550

# Table of Contents



Improper operation and maintenance of this liftgate could result in severe personal injury or death.

Read and understand the contents of the owner's manual and all warning and operation decals before operating and/or performing maintenance on this liftgate.

Introduction.....	3
How To Order Parts .....	4
Warranty .....	5
Model Information.....	6
Frame .....	7
Platform.....	8
Mount Plates .....	9
Bumpers.....	10
Hydraulics .....	11
Lift Cylinder.....	12
Tilt Cylinder .....	13
Power Unit .....	14
Pump Brackets .....	15
Electronic Safety Valve .....	16
Valve System .....	17
Control Card. ....	18
Wheels .....	19
Hand Controls .....	20

# Introduction

Each Waltco liftgate is manufactured to stringent quality standards for years of reliable service. To ensure maximum performance of your Waltco liftgate, always specify and use "OEM Parts" from Waltco.

This manual does not provide procedures for the servicing and repair of Waltco liftgates. Service and repair should only be performed by an authorized Waltco distributor. For information on the nearest authorized Waltco distributor contact:

**Waltco Lift Corp.**

285 Northeast Avenue

Tallmadge, OH 44278

Phone: 800.411.5685

Fax: 800.411.5684

E-mail: [parts@waltco.com](mailto:parts@waltco.com)



**The use of non-standard or makeshift parts can be extremely hazardous and result in serious injury or death.**



**Every vehicle that has a WALTCO Liftgate must have legible WARNING AND OPERATION DECALS clearly posted on the vehicle and an OWNER'S MANUAL in the vehicle at all times as a guide for proper operation and maintenance.**

# How To Order Parts

**Repairs should be made only by authorized mechanics using WALTCO Replacement parts.**

When ordering repair or replacement parts, please include all the information asked for below. If this information is not available, a complete written description or sketch of the required part will help WALTCO identify and deliver the needed part to you.

---

## THE FOLLOWING INFORMATION MUST BE INCLUDED:

1. SERIAL NUMBER - [WALTCO liftgate serial numbers can be found on the Specification Tag attached to the mount frame. (On older units the Specification Tag is located on the side or bottom of the platform.)]
2. MODEL NUMBER - [Or capacity]
3. PLATFORM SIZE

---

## THEN INCLUDE THE FOLLOWING INFORMATION:

4. PART NUMBERS
5. DESCRIPTION
6. QUANTITY REQUIRED

---

## MAIL, E-MAIL OR PHONE YOUR REQUEST TO:

Waltco Lift Corp  
285 Northeast Avenue  
Tallmadge, OH 44278  
1-800-411-5685  
FAX: 1-800-411-5684  
E-MAIL: [parts@waltco.com](mailto:parts@waltco.com)

**ALL PARTS ARE F.O.B. FROM THE SHIPPING FACTORY**

---

## PLEASE NOTE:

**To assure you of continuing and effective quality control, our warranty policy permits replacement of hydraulic cylinders, valves and motor pump units when their factory seals are intact. Parts under warranty will be exchanged promptly after careful inspection of the returned assemblies.**

---

WALTCO warrants its products free of defects in materials and workmanship.

WALTCO will replace components found defective during the warranty period. Labor will be reimbursed according to our flat rate labor schedule at the prevailing shop rate.

Contact our Sales or Warranty departments for the warranty period of your model or for information regarding our flat rate labor schedule.

### **WALTCO Warranty Claim Procedure**

For consideration, all claims must be received within 30 days of repair and include the following information:

- Liftgate Serial Number
- Description of problem and corrective actions
- Itemization of the labor charge to include the number of hours and labor rate

**Replacement warranty parts can be obtained by contacting Waltco's Parts Department. Parts must be returned for inspection when requested.**

#### Exclusions:

Waltco's warranty does not include reimbursement for service calls, vehicle rental, towing, travel time, fabrication of parts available from WALTCO, damage from misuse or abuse, negligence, accidents, alteration, loss of income or overtime expense, oil, or normal wear.

Diagnosis and troubleshooting time are included in the flat rate labor times.

Warranty and technical information is available from WALTCO's toll free customer service lines from 8:00 a.m. to 5:00 p.m. EST.

### ***Waltco Lift Corp***

285 Northeast Ave, Box 354, Tallmadge, OH 44278

1-800-211-3074, 330-633-9191

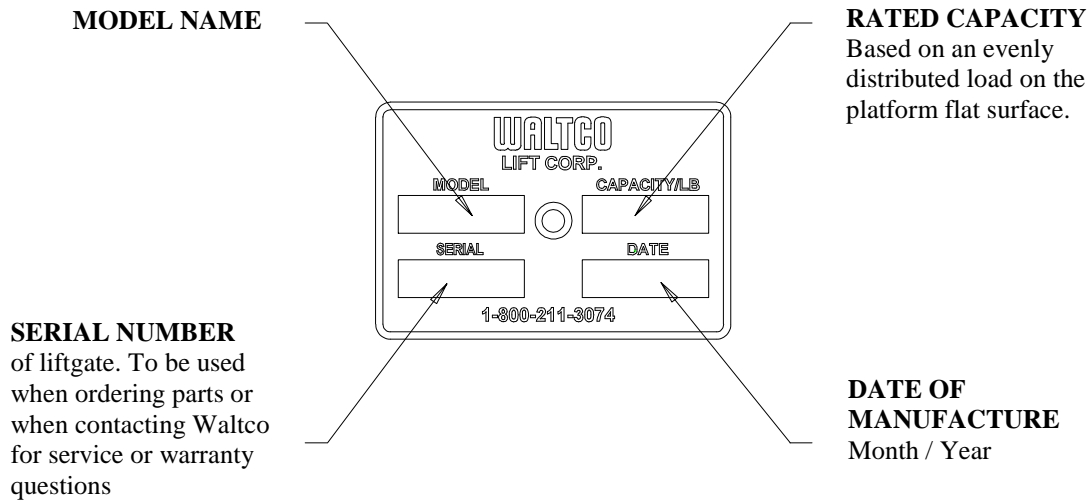
Please visit our websites: <http://www.waltco.com> or <http://www.hiab.com>

***We're behind you all the way!***

# Model Information

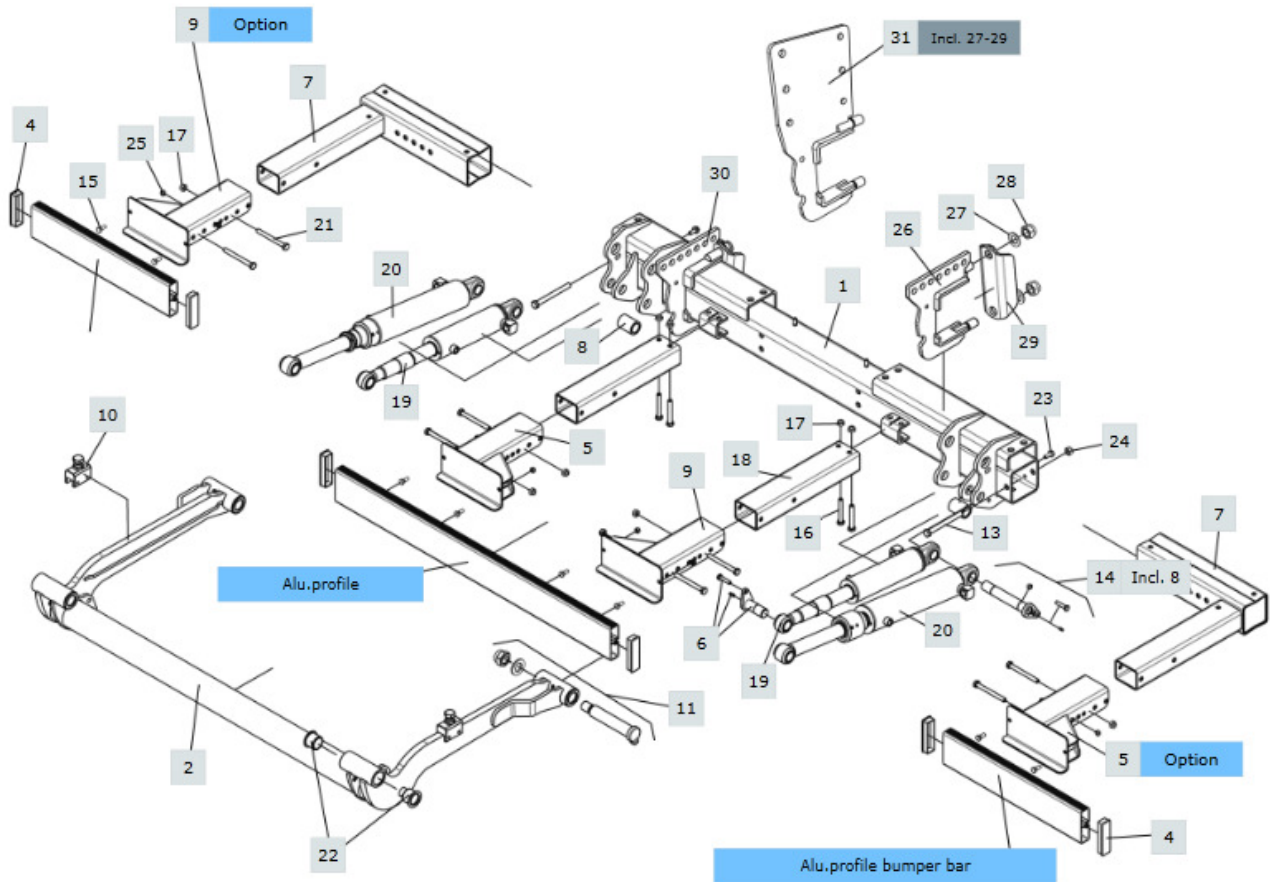
EXPLANATION OF SPECIFICATION TAG		
MODEL No.	DESCRIPTION	CAPACITY
Z100	Z100 SERIES GATE	2200 lb.

## Explanation of Specification Tag



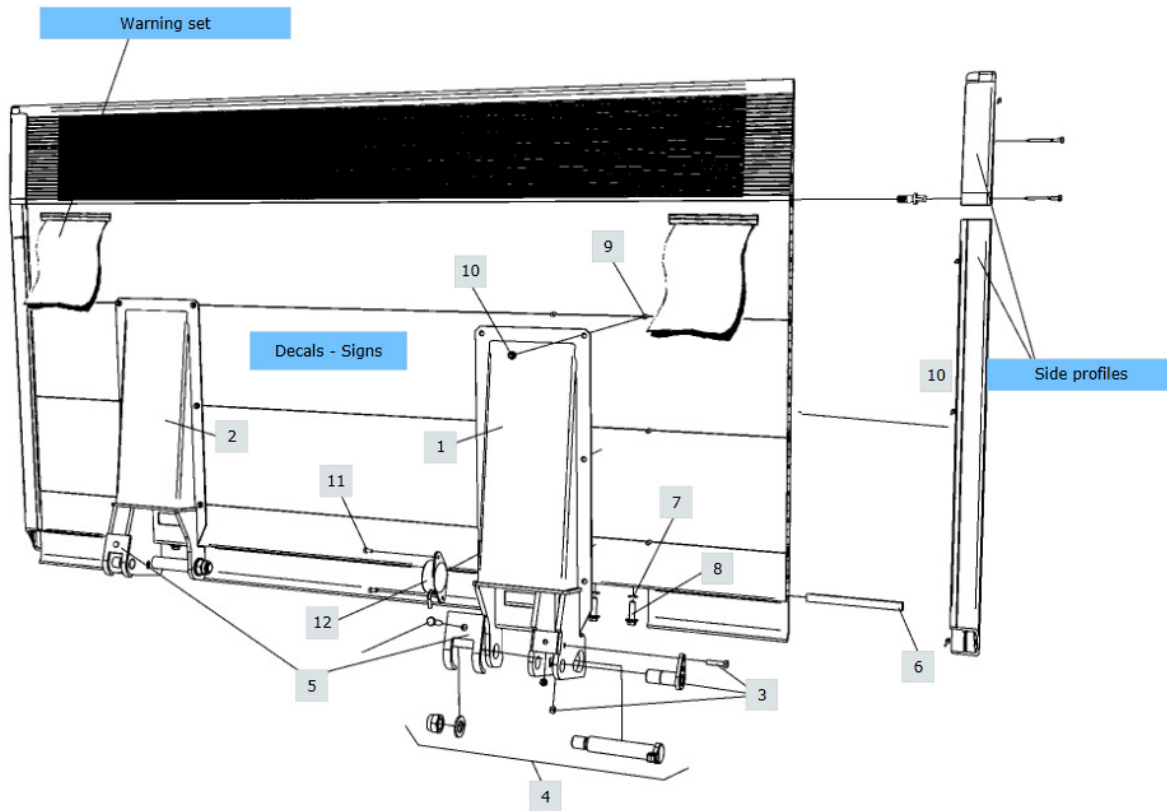
GR00241

# Z100 FRAME



ITEM	P/N	DESCRIPTION	QTY	ITEM	P/N	DESCRIPTION	QTY
1	56119TL	Support frame Z 100	1	17	20170TL	Nut M10	12
2	56130TL	Lift arm (-110)	1	18	56143TL	Bumper bar middle Z 100	2
4	22264TL	Cover f. alu. bumper bar	6	19	Z10058983TL	Lift cyl. D=55 (-110)	2
5	56132TL	Bumper bar short 90 Right	2	20	Z10073731TL	Tilt cyl. D=65 (-110)	2
6	Z10032862TL	Pivot bolt D=25 L=62mm	2	21	21190TL	Screw M10x100	8
7	56142TL	Bumper bar short 90 Right	2	22	32863TL	Bushing set	4
8	Z10053453TL	Spacer L=48	2	23	21988TL	Screw M6x12	2
9	56134TL	Bumper bar short 90 Left	2	24	21664TL	Nut M12	2
10	53869TL	Armstop cpl.	2	25	20403TL	Nut M8	8
11	32785TL	Pivot bolt cpl. Ø=30 L=186	2	26	56290TL	Mounting bracket	1
13	22188TL	Screw M12x120	2	27	21429TL	Washer 23x40x3	4
14	Z10032860TL	Pivot bolt D=25 L=156mm incl Spacer	2	28	20171TL	Nut M22	4
			8	29	56158TL	Bracket cpl.	2
15	22265TL	Screw M8x20	4	30	56287TL	Mounting bracket	1
16	22248TL	Screw M10x70		31	33538TL	Mounting bracket cpl.	1

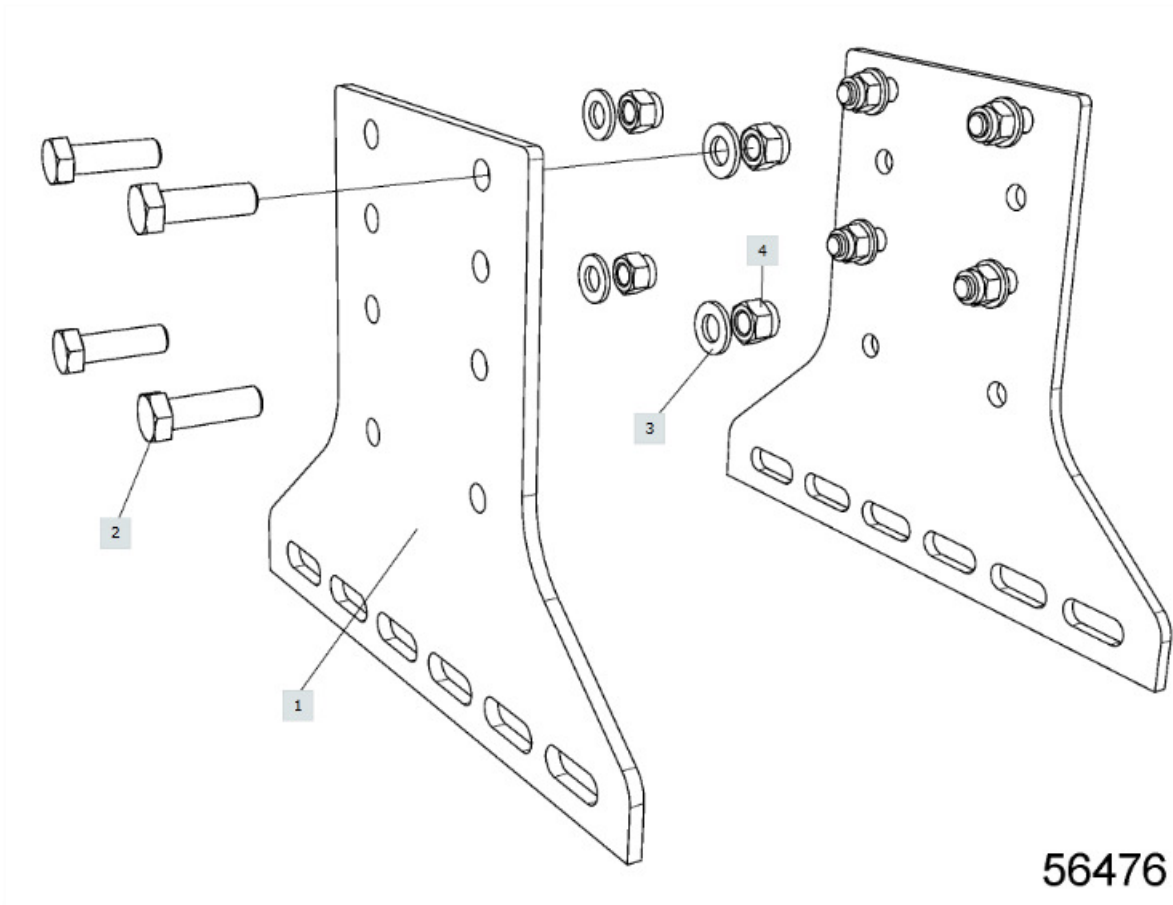
# Z100 PLATFORM



ITEM	PART NUMBER	DESCRIPTION	QTY
0	Z10044080TL	Platform alu, 36x93	1
	Z10043009	Platform alu, 47x93	1
	Z10043009-1	Platform alu, 47x93, CS, LT	1
	Z10044081TL	Platform alu, 60x93	1
	Z10044112TL-1	Platform alu, 71x93, CS, LT	1
1	56318TL	Bracket 30L right Z 100	1
2	56319TL	Bracket 30L left Z 100	1
3	32862TL	Pivot bolt D=25 L=62mm	2
4	32785TL	Pivot bolt cpl. Ø=30 L=186	2
5	33654TL	Wear protection kit kpl Z 100	1
6	56353TL	Fastening plate	2
7	22363TL	Lock washer (toothed) o13	6
8	22294TL	Screw M12x40	6
9	21364TL	Screw M8x45	12
10	20403TL	Nut M8	12
11	21269TL	Screw 6x12	2
12	31799TL	Angle switch cpl. replacing old	1

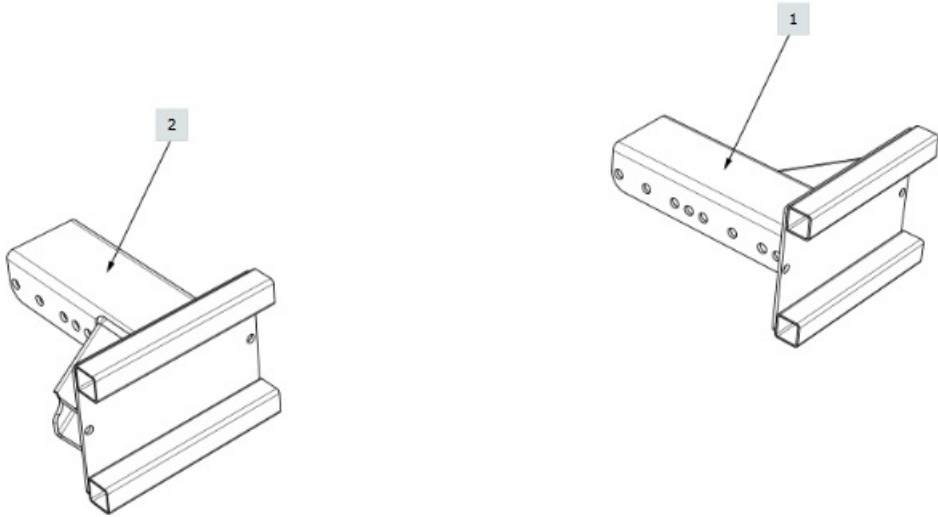


## Z100 Support Wheel



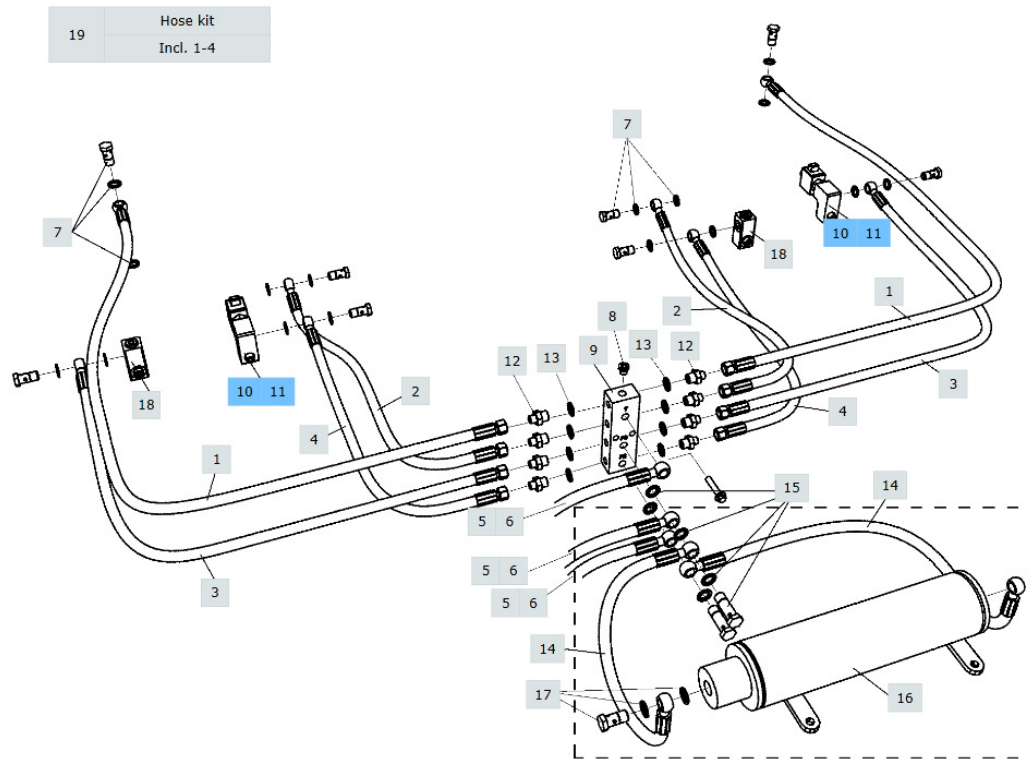
ITEM	PART NUMBER	DESCRIPTION	QTY
0	Z10056476	Kit, mounting brackets (2) Z 100	1
1	56346TL	Mounting bracket Z 100	2
2	64556TL	Screw M14x45	8
3	53863TL	Washer	8
4	21484TL	Nut M14	8

# Z100 BUMPER BARS



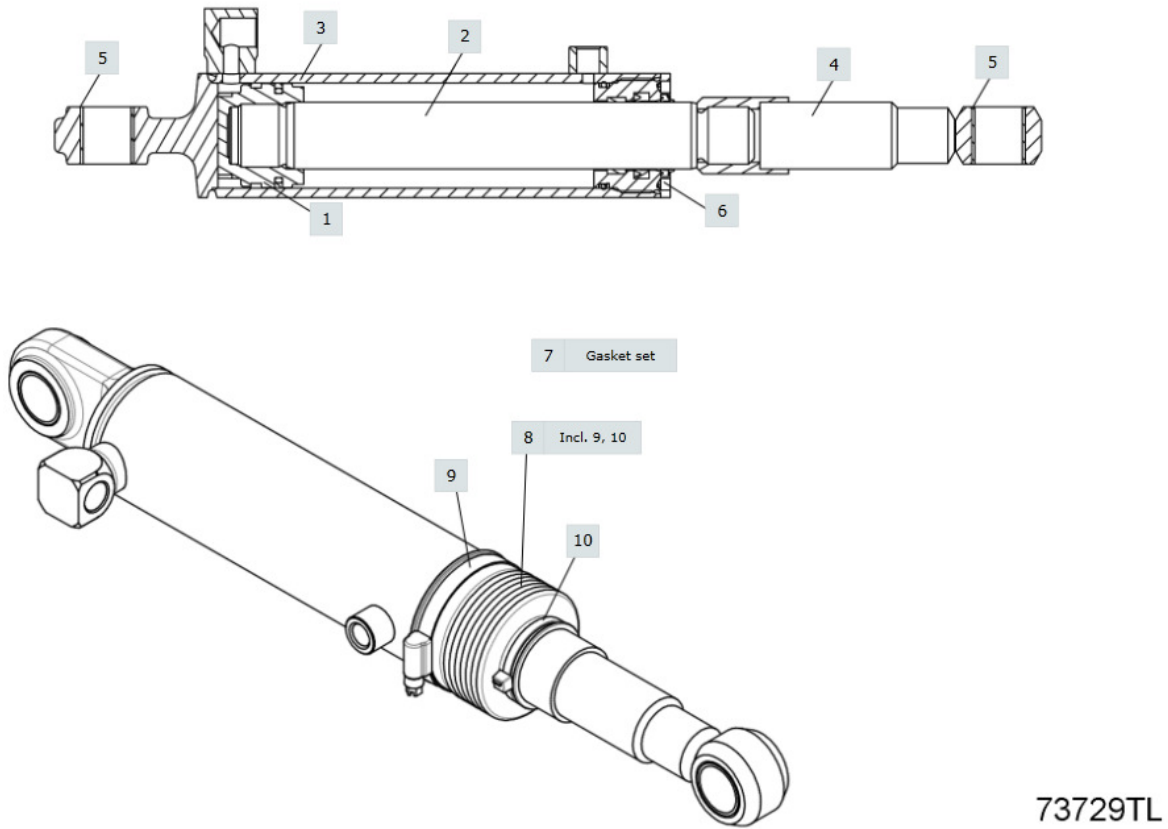
ITEM	PART NUMBER	DESCRIPTION	QTY
1	73062TL	Bumper bar high Right	1
2	73063TL	Bumper bar high Left	1

# Z100 HYDRAULICS



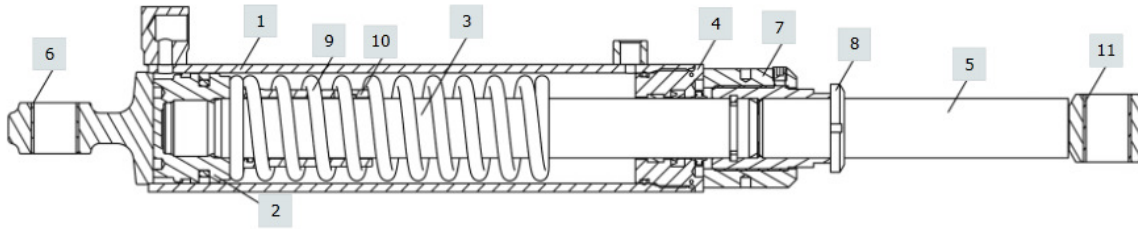
ITEM	PART NUMBER	DESCRIPTION	QTY
1	Z10021982TL	Hydr. hose D=1/4" L=1250mm 1/4" 1/4"	2
2	Z10021610TL	Hydr. hose D=1/4" L=850mm 1/4" 1/4"	2
3	Z10022357TL	Hydr. hose D= 1/4" L=970mm	2
4	Z10022358TL	Hydr. hose D= 1/4" L=700mm	2
5	Z10022342TL	Hydr. hose D= 1/4" L=3000mm 1/4" 1/4"	3
6	Z10022340TL	Hydr. hose D=1/4" L=1030mm 1/4" 1/4"	3
7	31174TL	Swivel joint cpl. D=1/4"	11
8	20515TL	Plug incl. washer	1
9	53452TL	Connection block	1
10	54130TL	El. safety valve cpl. 24V lift	2
11	54129TL	El. safety valve cpl. 12V lift	2
12	20356TL	Adapter 1/4"-1/4"	8
13	20942TL	Washer D=1/4"	8
14	22281TL	Hydr. hose D=1/4" L=350mm 1/4" 3/8"	2
15	32694TL	Swivel joint cpl. L=43mm	2
16	Z10053538TL	Hydraulic autotilt cylinder	1
17	32193TL	Swivel joint cpl. D=3/8"	2
18	54367TL	Connection adapter, lift cpl.	2
19	Z10033730TL	Hose kit Z 100	1

# Z100 LIFT CYLINDER

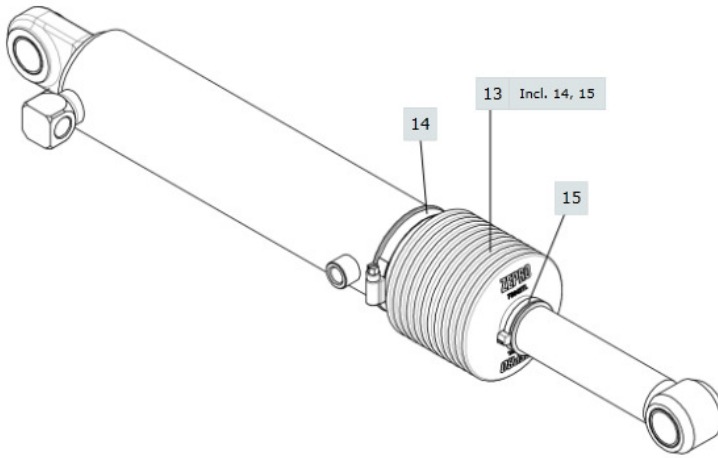


ITEM	PART NUMBER	DESCRIPTION	QTY
0	Z10073729TL	Lift cylinder (-110) Gaiter	1
1	32510TL	Piston D=55	1
2	33348TL	Piston rod 35-275	1
3	33349TL	Cylinder case 55-290	1
4	33351TL	Pressure rod 35-158	1
5	33355TL	Bushing 25/28-30	1
6	32508TL	Cylindercover D=55	1
7	ZHZ32494TL	Gasket set D=55	1
8	33667TL	Gaiter cpl.	1
9	26609TL	Hose clamps	1
10	21448TL	Cable tie	1

# Z100 TILT CYLINDER



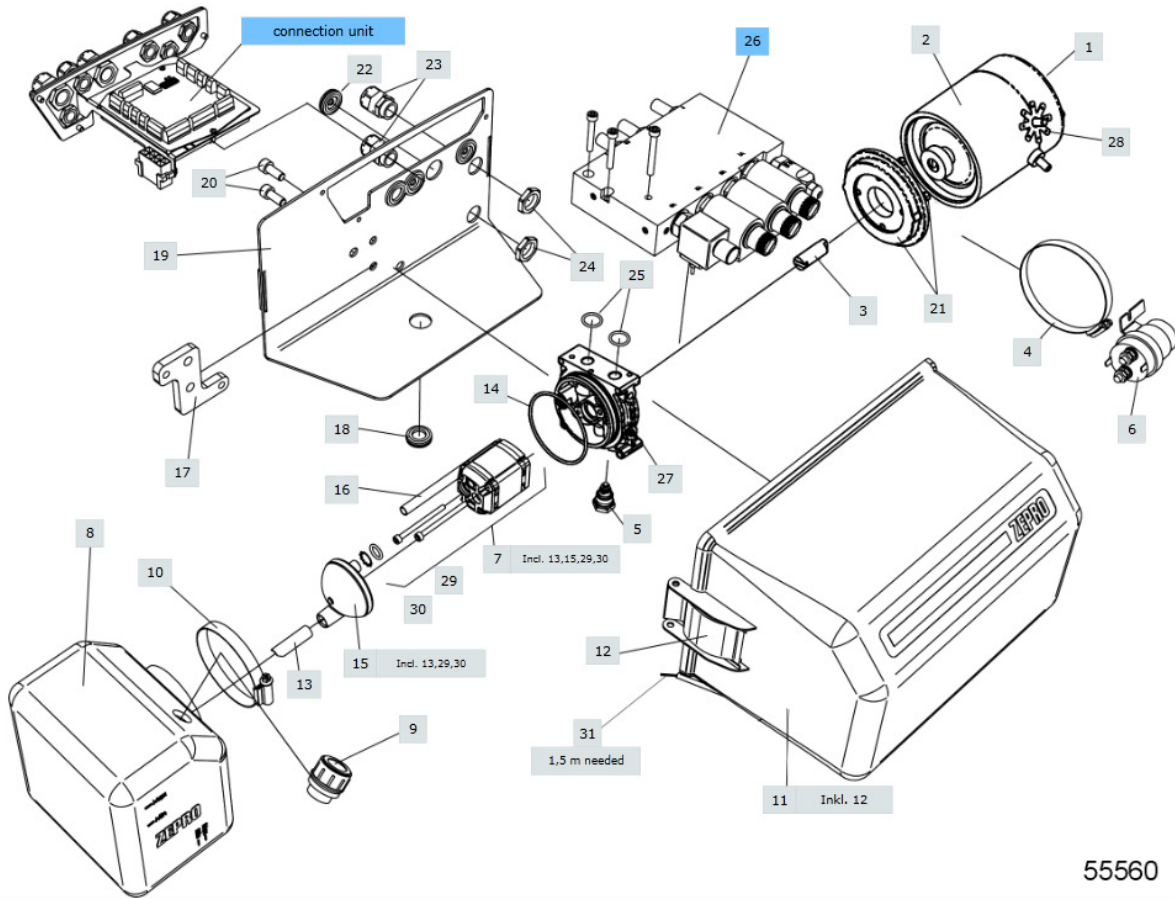
12 Gasket Set



73731TL

ITEM	PART NUMBER	DESCRIPTION	QTY
0	Z10073731TL	Tiltcylinder (-110) Gatier	1
1	33350TL	Cylinder case 65-377	1
2	32511TL	Piston D=65	1
3	33357TL	Piston rod 35-350 cpl. w. adjustment sleeve	1
4	32509TL	Cylindercover D=65	1
5	33352TL	Pressure rod 35-215	1
6	33355TL	Bushing 25/28-30	1
7	32679TL	Limit stop	1
8	32680TL	Locking nut M35	1
9	68038TL	Spring	1
10	32681TL	Spring guide D=35 L=84mm	1
11	33356TL	Bushing 25/28-40	1
12	ZHZ32493TL	Gasket set D=65	1
13	34100TL	Gaiter cpl. Ø65/35	1
14	26609TL	Hose clamps	1
15	21448TL	Cable tie	1

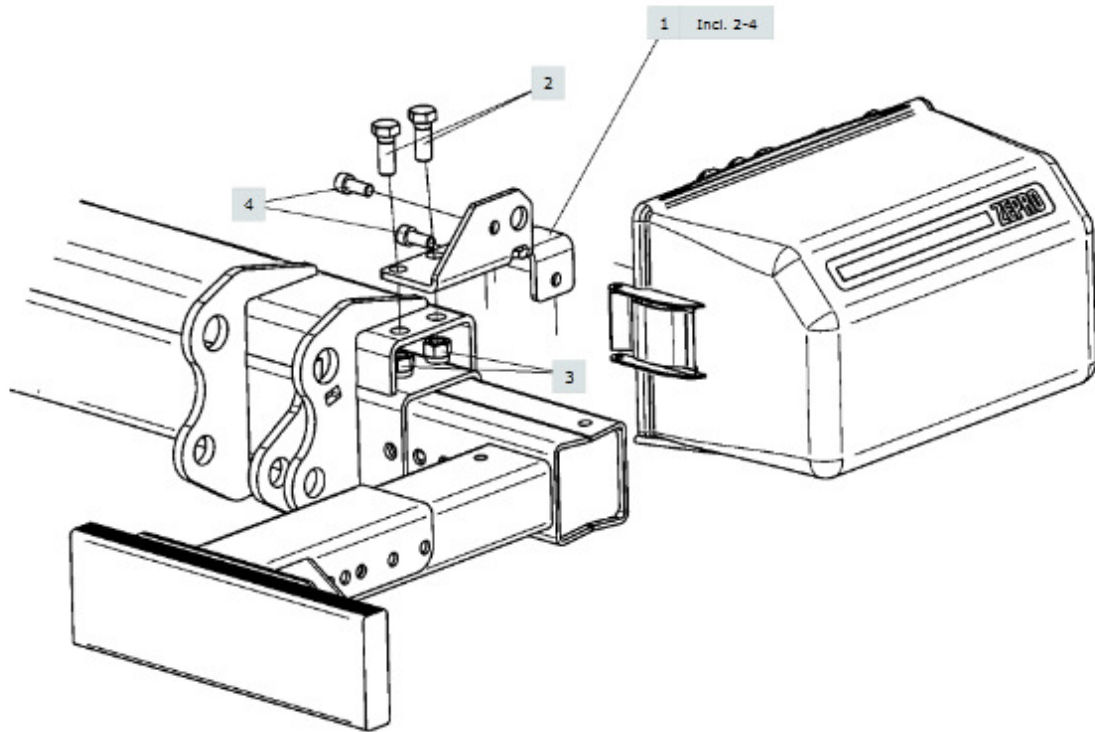
# Z100 TILT CYLINDER



55560

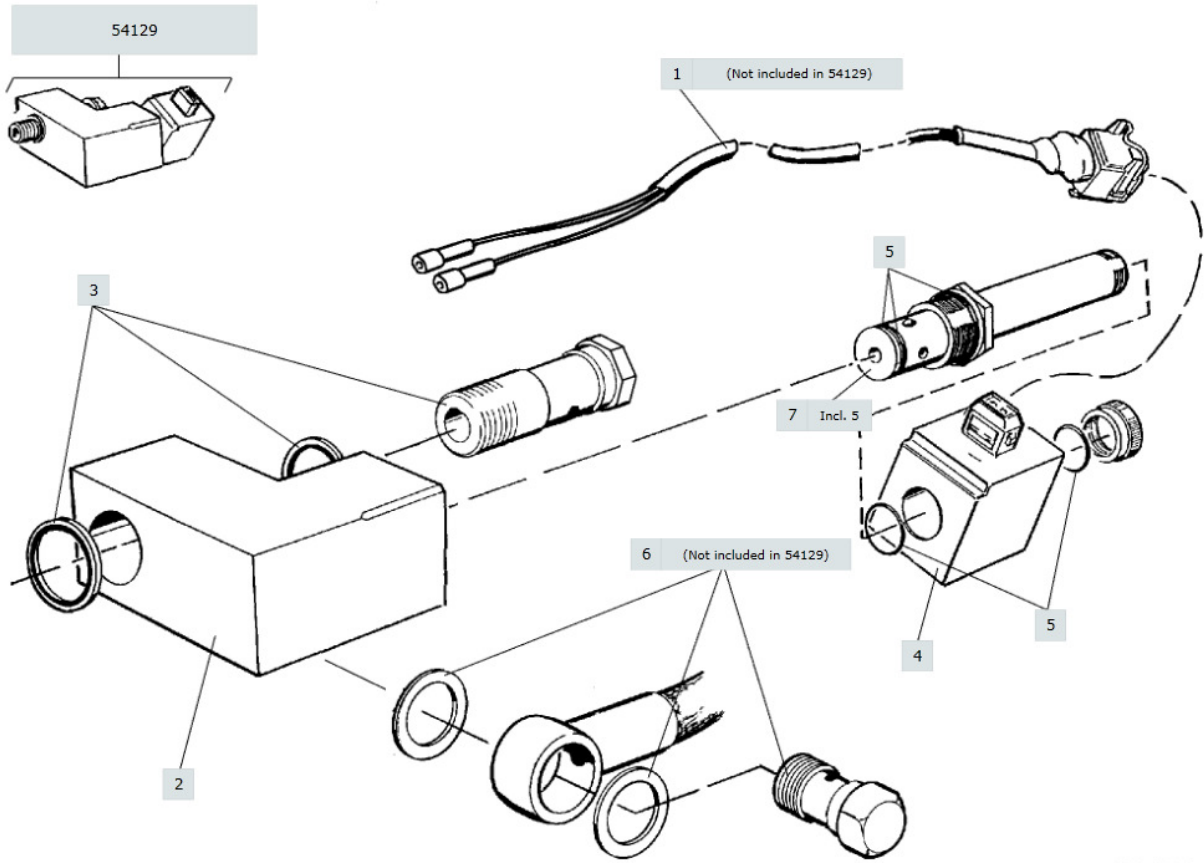
ITEM	PART NUMBER	DESCRIPTION	QTY	ITEM	PART NUMBER	DESCRIPTION	QTY
0	Z10055560TL	Hydraulic unit 5950 12V	1	16	32835TL	Return tube D=10 L=120	1
1	32058TL	Carbon brush kit 12V	1	17	56348TL	Bracket	1
2	Z10033148	Electric Motor 1,5kW 12V std. coupling	1	18	20131TL	Rubber seal	2
3	32365TL	Coupling 1,5 kW HE1000	1	19	56347TL	Assembly plate	1
4	32824TL	Brace	1	20	21865TL	Screw M10x25	1
5	32820TL	Overflow valve 50-250B	1	21	33810TL	Motor flange kit	1
6	ZHZ32753TL	Switch 12V Saco	1	22	20130TL	Conduit entry	3
7	Z10032822	Pump 1,2cc kpl.	1	23	21606TL	Cable seal PG 16	2
8	ZHZ32823TL	Plastic tank cpl.	1	24	22273TL	Lock nut PG16	1
9	32561TL	Filler cap	1	25	32963TL	O-ring, 2 pcs - 17,3x2,4	2
10	32824TL	Brace	1	26	33151TL	Valve system cpl. 12V	1
11	ZHZ53411TL	Cover cpl.	1	27	32819TL	Adapterblock "AA"	1
12	32517TL	Lock	2	28	32968TL	Earthconnector	1
13	32826TL	Strain tube L=40	1	29	33324TL	O-ring	1
14	32370TL	O-ring set cpl.	1	30	33325TL	Toothed washer	1
15	32825TL	Strainer	1	31	34120TL	Rubber string / meter	0

# Z100 PUMP MOUNTING



ITEM	PART NUMBER	DESCRIPTION	QTY
1	33170TL	Bracket hyd. unit cpl. Horizontal Z 100	1
2	22328TL	Screw M14x35	2
3	21484TL	Nut M14	2
4	21532TL	Screw M10x20	2

# Z100 ELECTRIC SAFETY VALVE

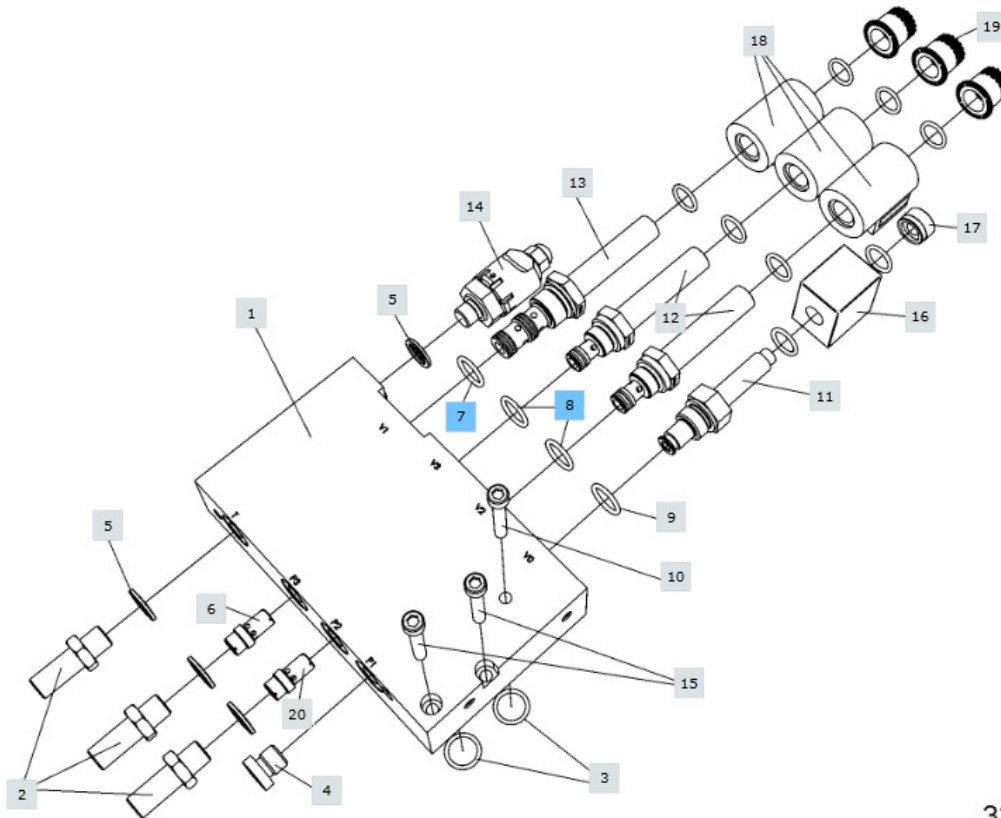


54129

ITEM	PART NUMBER	DESCRIPTION	QTY
0	54129TL	El. safety valve cpl. 12V lift	1
1	54134TL	Cable set L=1650mm white/yellow	1
2	54114TL	Valve housing lift	1
3	31845TL	Swivel joint cpl.	1
4	21663TL	Magnet 12V AMP	1
5	31521TL	O-ring set	1
6	31174TL	Swivel joint cpl. D=1/4"	1
7	22199TL	Valve excl. magnet CE6	1



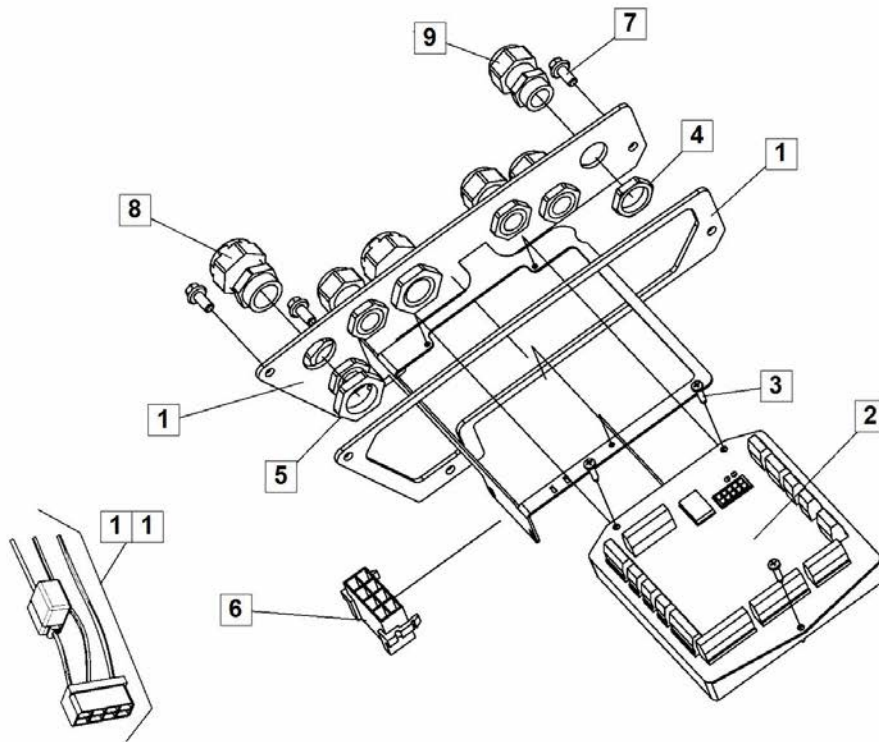
# Z100 VALVE SYSTEM



33151

ITEM	PART NUMBER	DESCRIPTION	QTY
0	33151TL	Valve system cpl. 12V	1
1	33150TL	Valve housing cpl. HU 5950	1
2	21498TL	Adapter 1/4"-1/4"	3
3	32963TL	O-ring, 2 pcs - 17,3x2,4	2
4	20515TL	Plug incl. washer	1
5	20942TL	Washer D=1/4"	3
6	33167TL	Constant flow valve Fixed 2,5 l/min	1
7	31852TL	O-rings set f shift valve	1
8	33142TL	O-ring set valve 21621	2
9	31521TL	O-ring set f. valve	1
10	22438TL	Screw M6x50	1
11	Z10033358TL	Valve 2/2 SB NO	1
12	21621TL	Valve VE 166.22	2
13	Z10031847TL	Shift valve excl magnet 3/2	1
14	33797TL	Pressure guard 60B L=1,9m	1
15	22296TL	Screw M6x40	2
16	21663TL	Magnet 12V AMP	1
17	21830TL	Nut for valve	1
18	22075TL	Magnet 12V	3
19	32466TL	Nut for valve	3
20	32828TL	Constant flow valve Fixed 5 l/min	1

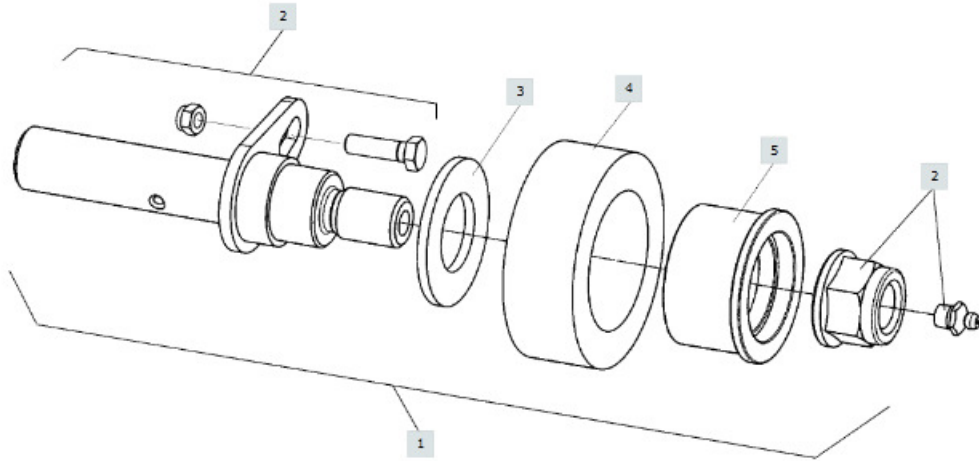
# Z100 CONTROL CARD



Z47639

ITEM	PART NUMBER	DESCRIPTION	QTY
1	56352TL	Connection housing for circuit card	1
2	Z10034308TL	Circuit card config.8	1
3	22246TL	Screw 3,5x16	3
4	21740TL	Lock nut PG11	5
5	22273TL	Lock nut PG16	2
6	54938TL	Contact cpl. incl. cables	1
7	21988TL	Screw M6x12	3
8	21606TL	Cable seal PG 16	2
9	20310TL	Cable seal PG 11	5
10	56484TL	Gasket	1
11	33146TL	Connector 8-pol - cable 12V with 15A fuse	1
12	33147TL	Connector 8-pol - cable 24V with 10A fuse	1

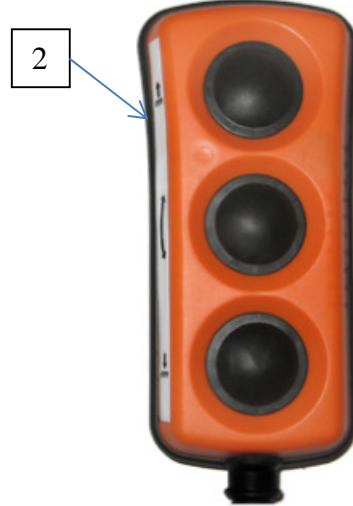
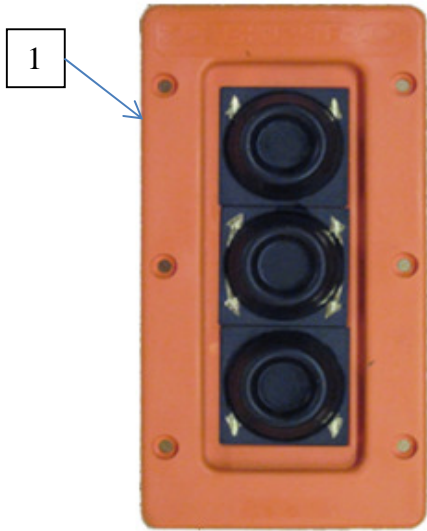
## Z100 Support Wheel



33050

ITEM	PART NUMBER	DESCRIPTION	QTY
1	Z10058983TL	Support wheel cpl Z 45/75	1
2	33063TL	Boltset f. support wheel 33050	1
3	21674TL	Washer 31x58x4	1
4	69978TL	Wheel	1
5	67036TL	Spacer f support wheel	1

# Z100 CONTROLS



ITEM	PART NUMBER	DESCRIPTION	QTY
1	75089948	CONTROL BOX, FLUSH, 3 BTN	1
2	Z10022417TL	CONTROL UNIT, 3 BTN, 2M SPIRAL	1

# ***IMPORTANT***

## **WARNING**

**Improper operation and maintenance of this liftgate could result in severe personal injury or death.**

**Read and understand the contents of liftgate Owner's manual and all warning and operation decals before operating and/or performing maintenance on this liftgate.**

**For SAFETY information on this liftgate see Chapter 1 of Owner's manual**