



## **2007 Sprinter Model 72S-1036 F11 EA41 Threshold Bridge Detail**

**NOTE:** When the liftgate is fully raised, the flat surface of the liftgate platform will be approximately 3-7/8” lower than the van floor. A fold out threshold bridge is supplied for the transition. (Detail “A”)

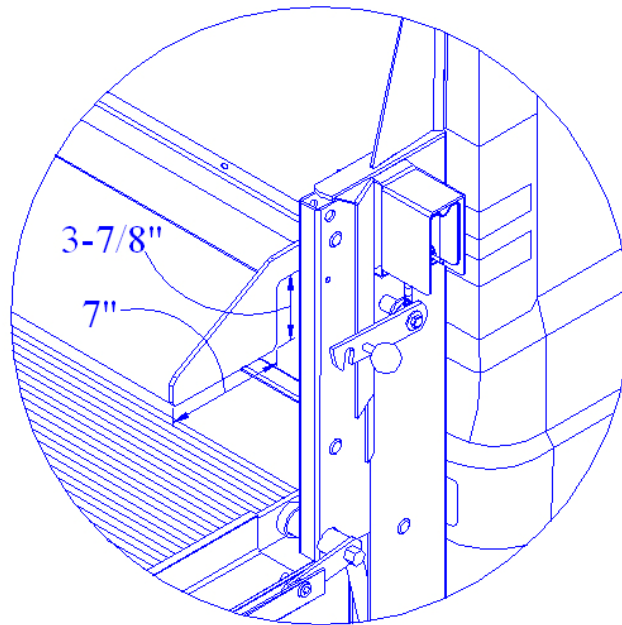
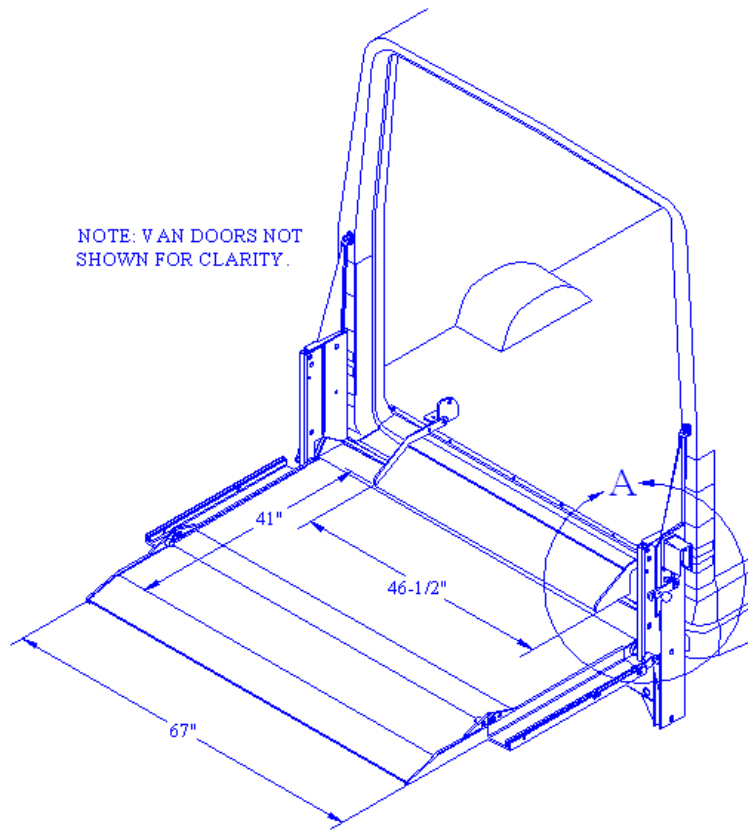
**NOTE:** With the threshold bridge installed, loadable platform depth will be 41”.

<b>Model</b>	<b>Capacity (pounds)</b>	<b>Travel</b>	<b>Platform Loadable Area (WxD)</b>	<b>Platform Taper</b>	<b>2 Piece Folding Platform</b>	<b>Bracket</b>	<b>Platform Material</b>
72S-1036 F11 EA41	1000	36	66X41	6	YES	P-370	EA

### **Important information to know about the 2007 Sprinter 72S-1036 F11 EA41:**

- Required Bracket Kit (P-370, PN 6241)
- Required Light Kit (2007 Sprinter LED Light Kit, PN 4494)
- Required Threshold Bridge (3-7/8” Rise, 7” Run)
- Cargo Area Consumed By Threshold Bridge (Position One 15” High, 7” Deep; Position Two 6” High, 16” Deep)
- Platform Loading Depth Consumed By Threshold Bridge (7”)
- Approximate Installation Labor Hours Required (12 to 16 hrs)
- The 72S is not compatible with a receiver hitch because the gate is mounted approximately 3-7/8 inches below the loading floor height (bed height) of the van.

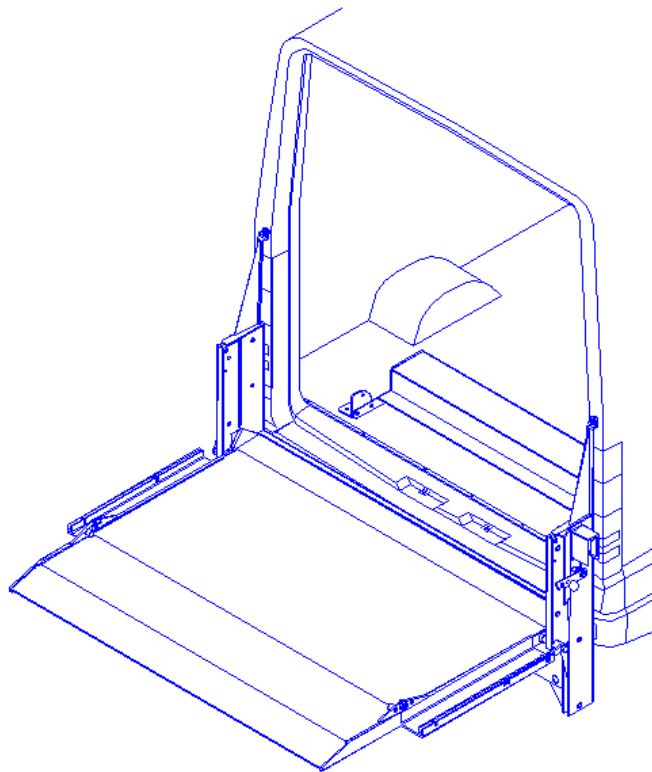
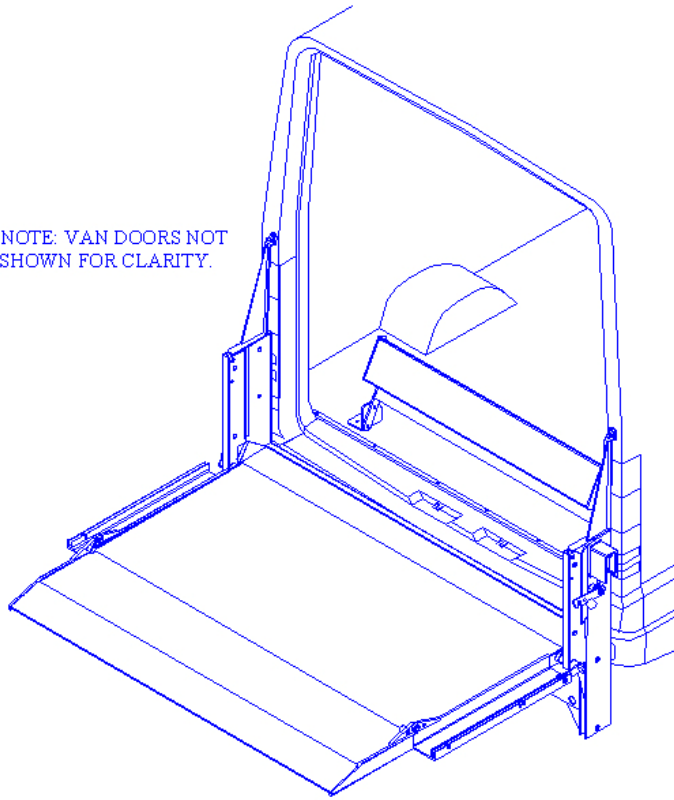
# 2007 Sprinter Model 72S-1036 F11 EA41 Threshold Bridge Detail



DETAIL A

## 2007 Sprinter Model 72S-1036 F11 EA41 Threshold Bridge Detail

NOTE: VAN DOORS NOT SHOWN FOR CLARITY.





**Model 72S -1036 F11 EA41 for 2007 Sprinter Van**  
**Customer / Distributor Order Confirmation**

Purchase Order Number: \_\_\_\_\_ Date: \_\_\_\_\_

Dodge & Freightliner have discontinued the old body style Sprinter Cargo Van which required a 72P liftgate. **Currently, Dodge & Freightliner have a new body style for the 2007 Sprinter Cargo Van.** As a result, Tommy Gate has revised the 72P liftgate listed as Model 72S-1036 F11 EA41, which is compatible with this new body style.

I have been informed of the following items and have received the informational memo:

- Required Gate Model (72S-1036 F11 EA41)
- Required Bracket Kit (P-370, PN 6241)
- Required Light Kit (2007 Sprinter LED Light Kit, PN 4494)
- Required Threshold Bridge (3-7/8" Rise, 7" Run)
- Cargo Area Consumed By Threshold Bridge (Position One 15" High, 7" Deep; Position Two 6" High, 16" Deep)
- Platform Loading Depth Consumed By Threshold Bridge (7")
- Approximate Installation Labor Hours Required (12 to 16 hrs)
- The 72S is not compatible with a receiver hitch because the gate is mounted approximately 3-7/8 inches below the loading floor height (bed height) of the van.

Company Name: \_\_\_\_\_

Customer / Distributor Representative (Please Print): \_\_\_\_\_

Signature: \_\_\_\_\_ Date: \_\_\_\_\_

Woodbine Mfg / Tommy Gate Representative (Please Print): \_\_\_\_\_

Signature: \_\_\_\_\_ Date: \_\_\_\_\_

**PLEASE FAX THIS FORM TO:**

Tommy Gate Company / Fax: 712-647-2417 / Phone: 1-800-543-8428 / [www.tommygate.com](http://www.tommygate.com)