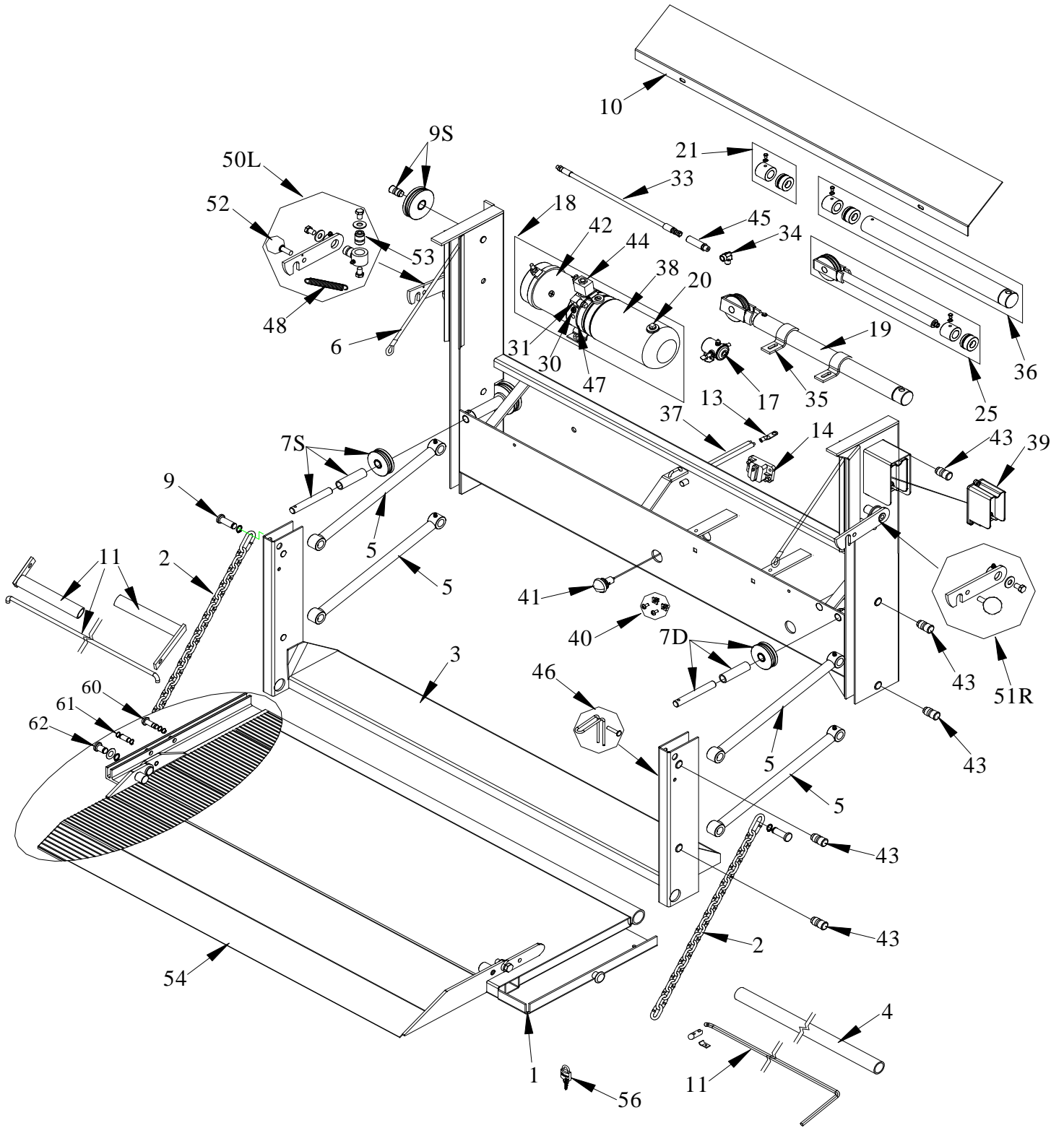


# 1034, 1036, 1040 AND 1340 ORIGINAL SERIES

## PARTS DRAWING

FOR MODELS 48, 54, 60, 64, & 64P



**1034, 1036, 1040 AND 1340 ORIGINAL SERIES PARTS LIST**

<b>Draw. Ref.</b>	<b>Part No.</b>	<b>Description</b>	<b>Qty Required</b>	
1	1643	Mini Treadplate Replacement Platform	1	
	1627	Mini w/F9 EA Replacement Platform	1	
	1644	Dakota and Isuzu Treadplate Replacement Platform	1	
	1628	Dakota w/F9 EA Replacement Platform	1	
	1645	60 Toyota Treadplate Replacement Platform	1	
	1629	60 Toyota w/F9 EA Replacement Platform	1	
	1646	48-1036 Treadplate Replacement Platform	1	
	1647	48-1036 w/F11 Treadplate Replacement Platform	1	
	1630	48 w/F11 EA Replacement Platform	1	
	4589	48 37+11+6 EA Replacement Platform	1	
	1650	54-1040 Treadplate Replacement Platform	1	
	1651	54-1040 w/F11 Treadplate Replacement Platform	1	
	1652	54-1340 Treadplate Replacement Platform	1	
	1653	54-1340 w/F11 Treadplate Replacement Platform	1	
	1631	54 w/F11 EA Replacement Platform	1	
	4820	54 37+11+6 EA Replacement Platform	1	
	1654	60-1040 Treadplate Replacement Platform	1	
	1655	60-1040 Treadplate w/F11 Replacement Platform	1	
	1656	60-1340 Treadplate Replacement Platform	1	
	1657	60-1340 w/F11 Treadplate Replacement Platform	1	
	1632	60 w/F11 EA Replacement Platform	1	
	4799	60 37+11+6 EA Replacement Platform	1	
	1648	64 Treadplate Replacement Platform	1	
	1649	64 w/F11 Treadplate Replacement Platform	1	
	1658	64-1340 Treadplate Replacement Platform	1	
	1659	64-1340 w/F11 Treadplate Replacement Platform	1	
	1633	64 w/F11 EA Replacement Platform	1	
	4798	64 37+11+6 EA Replacement Platform	1	
	2	3840	1034 Replacement Platform Chain (19 Links)	2
		3846	1034 EA Replacement Platform Chain	2
3841		1036-1040 Replacement Platform Chain (24 Links)	2	
3847		36" & 40" Travel EA Replacement Platform Chain(17 Links)	2	
3842		1340 Replacement Platform Chain (18 Links)	2	
3884		48" Deep & 50" Travel EA Replacement Platform Chain (30 Links)	2	
3	3551	Mini Replacement Sub Assembly	1	
	3588	Mini EA Replacement Sub Assembly	1	
	3552	48 Replacement Sub Assembly	1	
	3589	48EA Replacement Sub Assembly	1	
	3553	Dakota and Isuzu Replacement Sub Assembly	1	
	3590	Dakota EA Replacement Sub Assembly	1	
	3554	54 Replacement Sub Assembly	1	
	3591	54EA Replacement Sub Assembly	1	
	3549	60 Toyota Replacement Sub Assembly	1	
	3592	60 Toyota EA Replacement Sub Assembly	1	
	3556	60 Replacement Sub Assembly	1	
	3593	60EA Replacement Sub Assembly	1	
	3558	64 Replacement Sub Assembly	1	
	3594	64EA Replacement Sub Assembly	1	
4	6425	48 & Mini Replacement Hinge Tube- Steel Platform	1	
	6426	54, Dakota and Isuzu Replacement Hinge Tube- Steel Platform	1	
	6427	60 & Toyota Replacement Hinge Tube- Steel Platform	1	
	6428	64 Replacement Hinge Tube - Steel Platform	1	
5	7010	1034-1036 Replacement Lift Arm w/ Pins & Zerks	4	
	1125	1040-1340 Replacement Hinge Arm w/Pins & Zerks	4	
6	4617	7/32" Replacement Lift Cable Kit	2	
7D	4175	3" Double (7/32") Groove Replacement Pulley Kit w/3/4" Cross Box Pin	1	
	4179	3.5" Double (7/32")Groove Replacement Pulley Kit w/7/8" Cross Box Pin	1	
7S	4176	3" Single (7/32") Groove Replacement Pulley Kit w/3/4" Cross Box Pin	1	
	4180	3.5" Single (7/32")Groove Replacement Pulley Kit w/7/8" Cross Box Pin	1	
9	4769	5/8"x1-13/16" Cable Rivet w/Snap Ring	2	
9S	4177	3" Single (7/32") Groove Replacement Pulley Kit w/ 3/4" Upright Pin	2	
10	4961	Replacement Box Cover (Mini and 48)	1	
	4962	Replacement Box Cover (Dakota, Isuzu, and 54)	1	
	4963	Replacement Box Cover (Toyota T-100 and 60)	1	
	4964	Replacement Box Cover (64)	1	
11	3688	Torsion Spring w/Hardware (Mini and 48)	1	
	8024	EA Torsion Spring Kit(48)	1	
	8082	EA Torsion Spring Kit(48)Deep Platform	1	
	3689	Torsion Spring w/Hardware (Dakota, Isuzu and 54)	1	
	8025	EA Torsion Spring Kit(54)	1	
	8083	EA Torsion Spring Kit(54)Deep Platform	1	
	3690	Torsion Spring w/Hardware (Toyota T-100 and 60)	1	
	8026	EA Torsion Spring Kit(60)	1	
	8084	EA Torsion Spring Kit(60)Deep Platform	1	
	3691	Torsion Spring Kit (64)	1	
	8027	EA Torsion Spring Kit(64)	1	
8085	EA Torsion Spring Kit(64)Deep Platform	1		
13	992	Replacement Copper Lug	6	

**1034, 1036, 1040 AND 1340 ORIGINAL SERIES PARTS LIST**

<b>Draw. Ref.</b>	<b>Part No.</b>	<b>Description</b>	<b>Qty Required</b>
14	998	Replacement 150 Amp Manual Reset Circuit Breaker	1
17	967	Replacement Raise Solenoid-3 Post	1
18	4360	M319 Replacement Pump & Motor (2100 psi) 2 qt.** Mini 500	1
	4362	M319 Replacement Pump & Motor (3800 psi) 2 qt.** 1034,1036,1040 & 1046	1
	4363	M319 Replacement Pump & Motor(3400 psi)2Qt.** 1340	1
	4418	DB-1291 Replacement Pump & Motor(3800 psi)2Qt.** 1034,1036,1040 & 1046	1
19	9756	1034 & 1036 Replacement Cylinder	1
	9761	1040 Replacement Cylinder	1
	9762	1340 Replacement Cylinder	1
20	989	Replacement Vent Plug	1
21	1139	1-1/2" Cylinder Repair Kit(1034-1040) Includes: Piston, Guide Bushing & O-rings	1
	1140	1-3/4" Cylinder Repair Kit (1046 & 1340) Includes Piston, Guide Bushing & O-rings	1
25	3224	Cylinder Shaft w/Pulley Assembly(1034 & 1036) Includes: Cylinder Repair Kit	1
	3222	Cylinder Shaft w/Pulley Assembly(1040) Includes: Cylinder Repair Kit	1
	3227	Cylinder Shaft w/Pulley Assembly (1340) Includes: Cylinder Repair Kit	1
30	973	Replacement Monarch Lee Check Valve (after serial# M05-1514 500#) (after serial# M-336052 1000# & 1300#)	1
31	944	Replacement 90 Degree Elbow (Male 9/16 O-ring Boss x Female 1/4 NPTF)	1
	945	Replacement 90 Degree Elbow (Male 3/8 NPTF x Female 1/4 NPTF)	1
33	946	Replacement 1/4"x29" Hydraulic Hose (Mini & 48)	1
	947	Replacement 1/4"x37" Hydraulic Hose (54 & 60-1340)	1
	948	Replacement 1/4"x40" Hydraulic Hose (T-100 & 60)	1
	996	Replacement 1/4" x 44" Hydraulic Hose (64 & 650)	1
34	978	Replacement 1/4"x1/4"x90 Degree Steel Cylinder Elbow	1
	916	Replacement 1/4"x7/16"x90 Degree Steel Cylinder Elbow	1
35	6832	1-1/2" Replacement Cylinder Clamp (1034-1040)	2
	6833	1-3/4" & 2" Replacement Cylinder Clamp (1340-1650)	2
36	3250	Replacement Cylinder Barrel Assembly(1034-1036) Includes: Cylinder Repair Kit	1
	3251	Replacement Cylinder Barrel Assembly (1040) Includes: Cylinder Repair Kit	1
	3252	Replacement Cylinder Barrel Assembly (1340) Includes: Cylinder Repair Kit	1
37	4681	Replacement 4Ga. 2 Wire Electric Cable w/Lugs-26 ft.	1
38	4354	Replacement Monarch Plastic Tank (2qt.)**	1
39	987	Replacement Fixed Control	1
40	1111	License Plate Mount Kit	1
41	949	Replacement Original Series License Plate Light	2
42	958	Replacement 12 Volt Motor-Only (Monarch)**	1
	950	Replacement 12 Volt Motor-Only (Fenner)**	1
43	7545	3/4" Arm Pin w/Zerk (before serial #M-83394)	10
	951	Replacement 3/4"x1-1/2" Arm Pin (after serial #M-83393)	10
	7547	7/8" Arm Pin w/Zerk (before serial #M-82341-1000#&1300#) (before serial #M16-13066-1600#)	10
	952	Replacement 7/8" Arm Pin (after serial #M-82340-1000#&1300#) (after serial #M16-13065-1600#)	10
44	9645	Release Solenoid External Assembly With Connector	1
45	953	Replacement Flow Control (1/4 M x 1/4 F x .078)	1
46	3818	Replacement Kickaway Spring w/ Pin	2
47	4275	Replacement M319 Pump (only) w/2 Qt. Tank (2100 psi)** Mini-500	1
	4277	Replacement M319 Pump (only) w/2 Qt. Tank (3800 psi)** 1034,1036,1040,1046	1
	4278	Replacement M319 Pump (only) w/2qt. Tank (3400 psi)** 1340	1
	4419	Replacement DB-1291 Pump(only)w/2qt. Tank(3800 psi)** 1034,1036,1040,1046	1
48	954	Replacement Latch Spring	1
50L	1070	Driver's Side Latch Kit (swing away)	1
	1107	Driver's Side Latch Kit EA (swing away)	1
51R	1071	Passenger's Side Latch Kit (fixed)	1
52	955	Replacement Latch Knob with Stud	2
53	7516	Replacement Threaded Latch Bushing	2
54	1792	Mini-F7 Treadplate Flipper Boxed	1
	1796	Mini-F9 Replacement EA Flipper	1
	1793	Dakota & Isuzu-F7 Treadplate Flipper Boxed	1
	1797	Dakota And Isuzu F9 Replacement EA Flipper	1
	1794	T-100-F7 Treadplate Flipper Boxed	1
	1798	60 Toyota F9 Replacement EA Flipper	1
	1678	48-F11 Treadplate Flipper Boxed	1
	1880	48-F11 Replacement EA Flipper	1
	1679	54-F11 Treadplate Flipper Boxed	1
	1881	54-F11 Replacement EA Flipper	1
	1680	60-F11 Treadplate Flipper Boxed	1
	1882	60-F11 Replacement EA Flipper	1
	1681	64-F11 Treadplate Flipper Boxed	1
	1883	64-F11 Replacement EA Flipper	1
55	956	Replacement (64) Grip Tape Kit For Platform	1
56	966	Replacement Padlock w/Keys	1
60	4713	EA Replacement Latch Rivet(1.5")	2
61	4712	EA Replacement Platform Chain Pin(1.079")	2
62	4717	EA Replacement Flipper Rivet	2

\*\*Please provide the liftgate Model and Serial numbers when ordering repair parts.