

The Mighty Max MM-1650 Model Liftgates

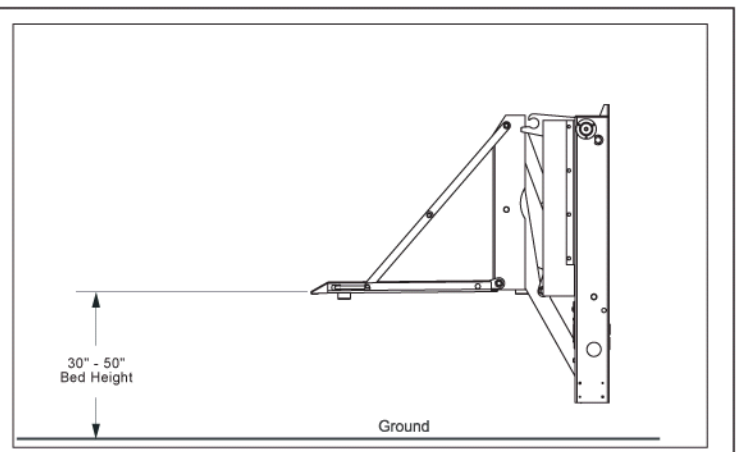
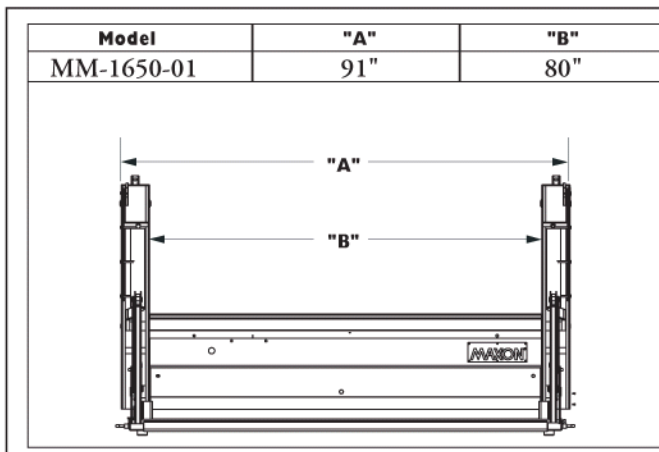
Engineered for high performance and low maintenance, the Mighty Max 1650 is a workhorse for general freight handling, and ground-level loading and unloading.

- 1,650 lb. capacity
- Designed for stake/platform and van bodies
- Choose from steel, aluminum, or grip strut platforms
- Heavy-duty hydraulic system with chrome plated cylinder rods
- Double wall design increases strength and durability
- Oversized pump and motor assembly is fully enclosed
- Level ride platform
- Direct lift with no cables to break or stretch
- Curbside toggle switch is water-resistant and recessed to prevent damage from accidental impact
- Single-hand latch system
- Equipped with maintenance-free, grease-free bearings
- Live customer service and technical support via toll-free number



MIGHTY MAX

Model Capacity	Platform Size	Total Weight	Minimum Body Width	Bed Height
MM-1650-01 (1650 Lbs.)	36" x 82" 4" Fixed Ramp	826 Lbs.	91"	30" Min. with Body Laden 50" Max. with Body Unladen

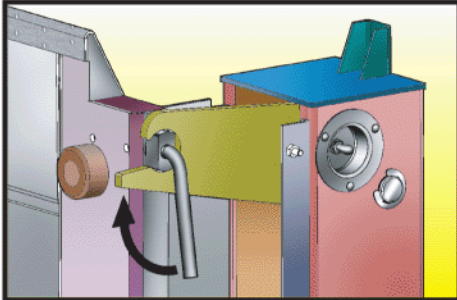


Lift Dimensions and Mounting Requirements

MM-1650 SPECIFICATIONS

The Mighty Max MM-1650 Model Liftgates

Single-Hand Latch System



The Mighty Max 1650 offers dual platform latches that automatically engage when the platform is folded, ensuring the lift is properly secured. Rotating the latch handle from either side of the vehicle releases the latches on both sides, saving time for the operator.

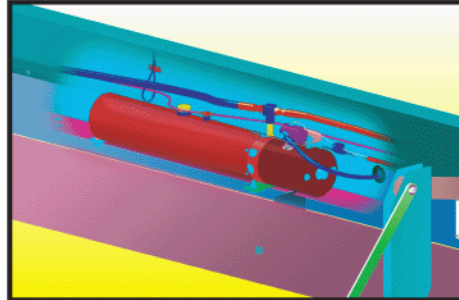
Recessed Toggle Switch

The marine grade, sealed toggle switch is weather resistant, for long-term reliability, and recessed to reduce the likelihood of breakage from accidental impact.

Grease-Free Operation

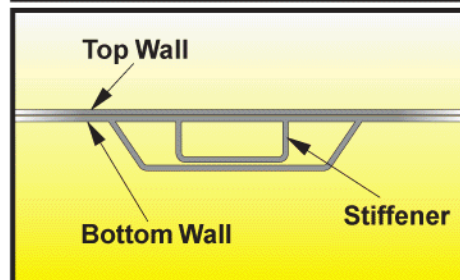
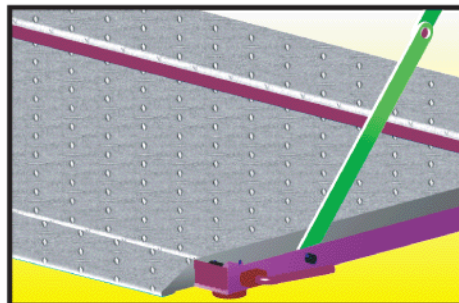
The Mighty Max 1650 has grease-free bearings on load bearing pins for a long maintenance-free life.

Fully Enclosed Pump and Motor Assembly



The heavy duty pump and motor assembly, the heart of the Mighty Max 1650, is fully enclosed in the main-frame of the Mighty Max structure to protect it from the elements and secure it from theft. For servicing, it is easily accessible through a removable cover.

Double Wall Design



The exclusive "double wall" platform design is more than good-looking. It offers increased strength and durability for long use.

MIGHTY MAX

Optional Features

- Cab Power Cut-Off Switch
- Light Package
- Grip Strut Platform (Zinc Plated)
- Aluminum Platform
- Tire Stand for Grip Strut Platform

Distributed by:

MAXON®

Maxon Lift Corp.
11921 Slauson Ave., Santa Fe Springs, CA 90670
Tel: 562.464.0099 800.227.4116 Fax: 888.771.7713
www.maxonlift.com