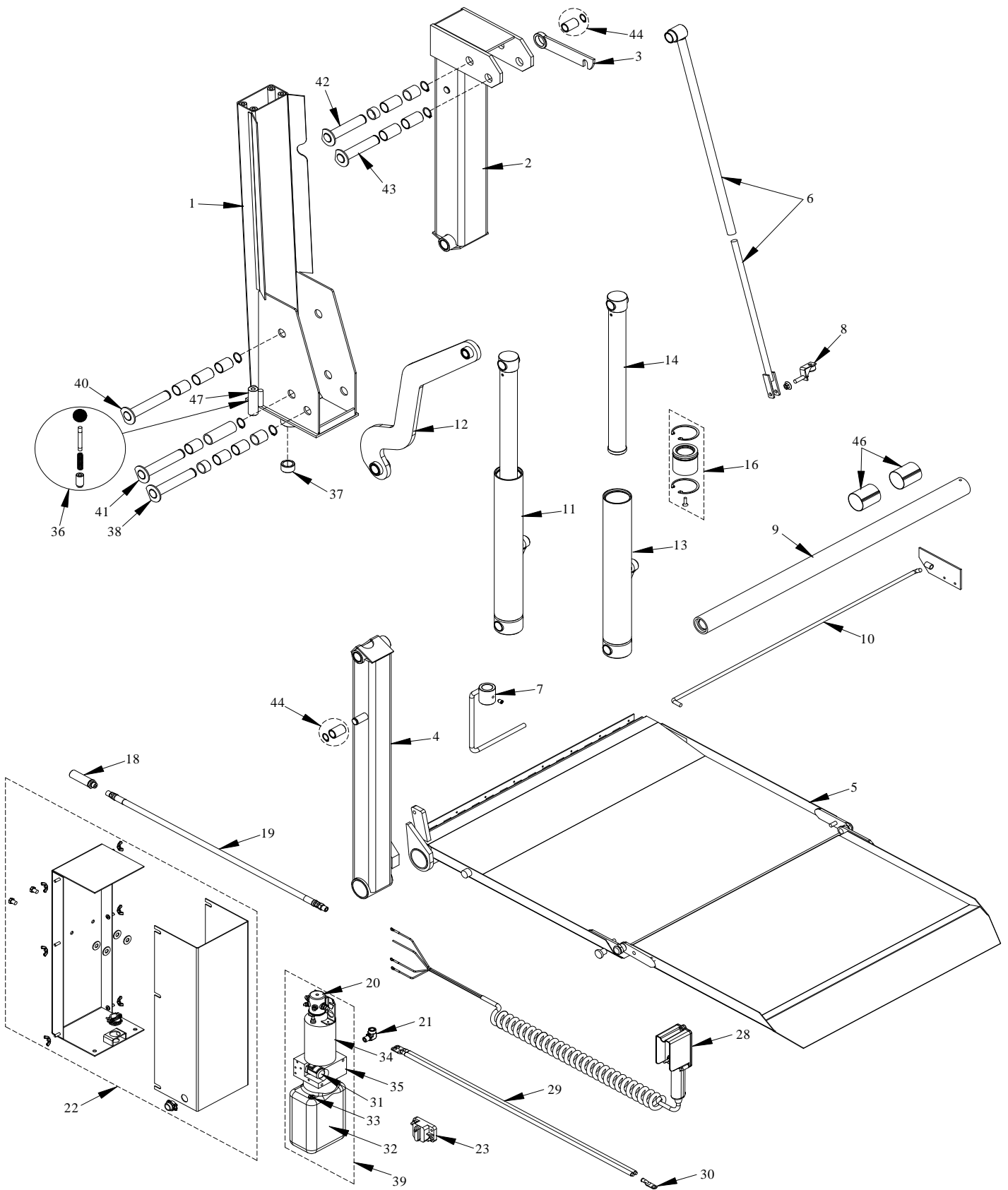


650 SERIES PARTS DRAWING



650 SERIES PARTS LIST

Draw. Ref.	Part No.	Description	Qty Required
1	2206	Replacement 650 Support Tube Assembly	1
2	2209	Replacement 650 Main Lift Tube (4x4x26.12)	1
3	2205	Replacement 650 Platform Latch	1
4	2212	Replacement Vertical Lift Tube (3x3x30.68)	1
5	1400	650 Replacement Platform	1
6	1403	650 Self Close Tube Kit	1
7	2722	Replacement Flipper Arm Self-Closing Rod	1
8	2203	Replacement Flipper Stop(650-31)	1
9	1385	2"x37.25" Replacement Hinge Tube w/Bushings (650)	1
10	2480	Torsion Assist Spring Kit (650)	1
11	2725	Replacement 650 Cylinder	1
12	2724	Replacement 650 Lift Arm	1
13	1383	Replacement Cylinder Tube (650)	1
14	1396	Replacement Cylinder Shaft w/End Lugs Includes: Guide Bushing & O-ring Kit	1
16	2481	Replacement Guide Bushing & O-Ring Kit (650)	1
18	997	Replacement 650 Flow Control	1
19	996	Replacement 1/4" x 44" Hydraulic Hose (64&650)	1
20	995	Replacement Solenoid - 4 Post(650)	1
21	994	Replacement 90 degree Elbow (650)	1
22	1494	Replacement 650 Pump Box (only)	1
23	998	Replacement 150 Amp Manual Reset Circuit Breaker	1
28	993	Replacement 650 Pendant Control	1
29	4570	Replacement 4 Ga. 2 Wire Electrical Cable w/Lugs 26ft.	1
30	992	Replacement Copper Lug	6
31	2727	Replacement 650 Release Solenoid External Assembly	1
32	2728	650 Replacement Tank	1
33	989	Replacement Vent Plug	1
34	1495	650 Motor (only)	1
35	1215	Pump (only) w/Tank (1550PSI)650	1
36	2482	650 Pivot Latch Kit	1
37	988	Replacement Lower Pivot Bushing	1
38	1437	650 Pin Kit (Lower Cylinder)	1
39	2726	M259 Replacement Pump & Motor Unit (1.5L) (1550Psi)	1
40	2207	650 Pin Kit (Lower 4x4 Lift Tube)	1
41	2208	650 Pin Kit (Lower S-Arm)	1
42	1438	650 Pin Kit (Upper Cylinder)	1
43	2210	650 Pin Kit (Upper 3x3 Lift Tube)	1
44	2211	650 Latch & Self Close Bushing Kit	2
46	2204	Replacement Platform Wear Bushing Kit	1
47	2723	Replacement Pivot Pin Sleeve (650)	1

Please provide the liftgate Model and Serial numbers when ordering repair parts.