

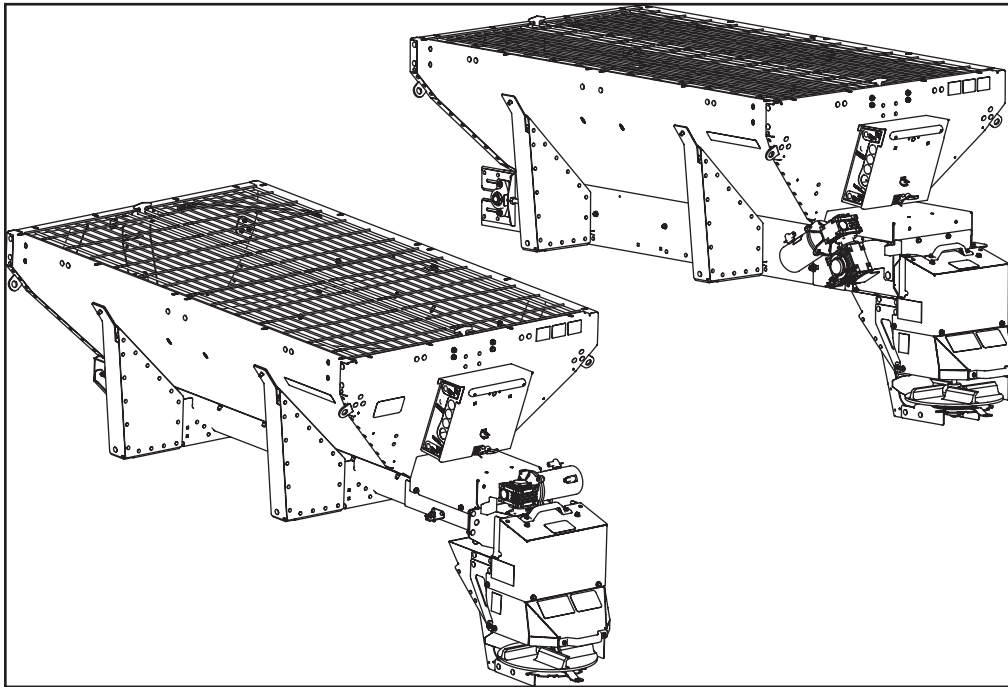


TEMPEST™

TEMPEST™ Hopper Spreaders

#S150A, S220A, S300A, S400A, S500A
S150C, S220C, S300C, S400C, S500C

Owner's Manual
Original Instructions



⚠ CAUTION

Read this document before operating
or servicing the spreader.

This manual is for FISHER® TEMPEST hopper spreaders with serial numbers beginning with 230301 and higher.

This manual supersedes all editions with an earlier date.

PREFACE

This manual has been prepared to acquaint you with the safety information, operation, and maintenance of your new hopper spreader. Please read this manual carefully and follow all recommendations. This will help ensure profitable and trouble-free operation of your hopper spreader. Keep this manual accessible. It is a handy reference in case minor service is required.

When service is necessary, bring your hopper spreader to your distributor. They know your spreader best and are interested in your complete satisfaction.

NOTE: This spreader is designed to spread snow and ice control materials only. Do not use it for purposes other than those specified in this manual.

Register your spreader online at www.fisherplows.com

OWNER'S INFORMATION

Owner's Name: _____

Date Purchased: _____

Outlet Name: _____ Phone: _____

Outlet Address: _____

Vehicle Model: _____ Year: _____

Spreader Type (Model): _____ Serial #: _____

Length: _____ Weight: _____ lb/kg: _____

***Translated Owner's Manuals can be found online at
<https://library.fisherplows.com/publications.asp?cat=739>***

TABLE OF CONTENTS

| | | | |
|---------------------------------------|----|--|----|
| Safety | 4 | Cab Control Modes | 20 |
| Safety Definitions | 4 | Standby Mode | 20 |
| Warning/Caution Labels | 4 | Ready Mode..... | 20 |
| Auger Units..... | 5 | ON Mode..... | 20 |
| Chain Units | 6 | Error Mode | 20 |
| Serial Number Label | 7 | Cab Control Codes..... | 21 |
| Safety Precautions..... | 7 | Setup Procedures..... | 24 |
| Fuses | 9 | Calibrate the Empty Hopper Setting (Cb and EH Codes) | 24 |
| Personal Safety..... | 9 | Clearing Empty Hopper Calibration Data (Cc Code)..... | 24 |
| Fire and Explosion | 9 | Adjust LED Brightness Level (LS and SL Codes)..... | 25 |
| Cell Phones..... | 9 | Spread Pattern Adjustment..... | 26 |
| Ventilation | 9 | Material Spread Patterns..... | 27 |
| Battery Safety | 10 | Dump Function..... | 28 |
| Noise..... | 10 | Accessory Work Light..... | 28 |
| Vibration..... | 10 | Maintenance | 29 |
| Torque Chart..... | 10 | Grease Fittings | 29 |
| Loading | 11 | Conveyor Pintle Chain Tension..... | 30 |
| Certification..... | 11 | Removing the Chute | 31 |
| Material Weights | 11 | After Each Use..... | 31 |
| Spreader Specifications..... | 11 | Cab Control..... | 32 |
| Load Volume | 12 | Storage | 32 |
| Determining Vehicle Payload..... | 12 | Fuse Replacement..... | 33 |
| Mounting the Spreader | 14 | Recycle | 33 |
| Install Hopper in Truck Bed..... | 14 | Electrical Components | 34 |
| Chute Installation | 16 | Vehicle Harness Diagram | 34 |
| Operating the Spreader | 18 | Electrical Control Box Diagram..... | 35 |
| Cab Control..... | 18 | Auger Spreader | 35 |
| Powering the Control..... | 18 | Chain Spreader | 36 |
| Starting and Stopping Spreader..... | 19 | Troubleshooting Guide | 37 |
| Controlling Material Application..... | 19 | | |
| BLAST/Maximum Application | 19 | | |

SAFETY

SAFETY DEFINITIONS

WARNING

Indicates a potentially hazardous situation that, if not avoided, could result in death or serious personal injury.

CAUTION

Indicates a potentially hazardous situation that, if not avoided, may result in minor or moderate injury. It may also be used to alert against unsafe practices.

NOTE: Indicates a situation or action that can lead to damage to your spreader and vehicle or other property. Other useful information can also be described.

WARNING/CAUTION LABELS



Become familiar with and inform users about the warning and caution labels on the spreader.

NOTE: If labels are missing or cannot be read, see your sales outlet.

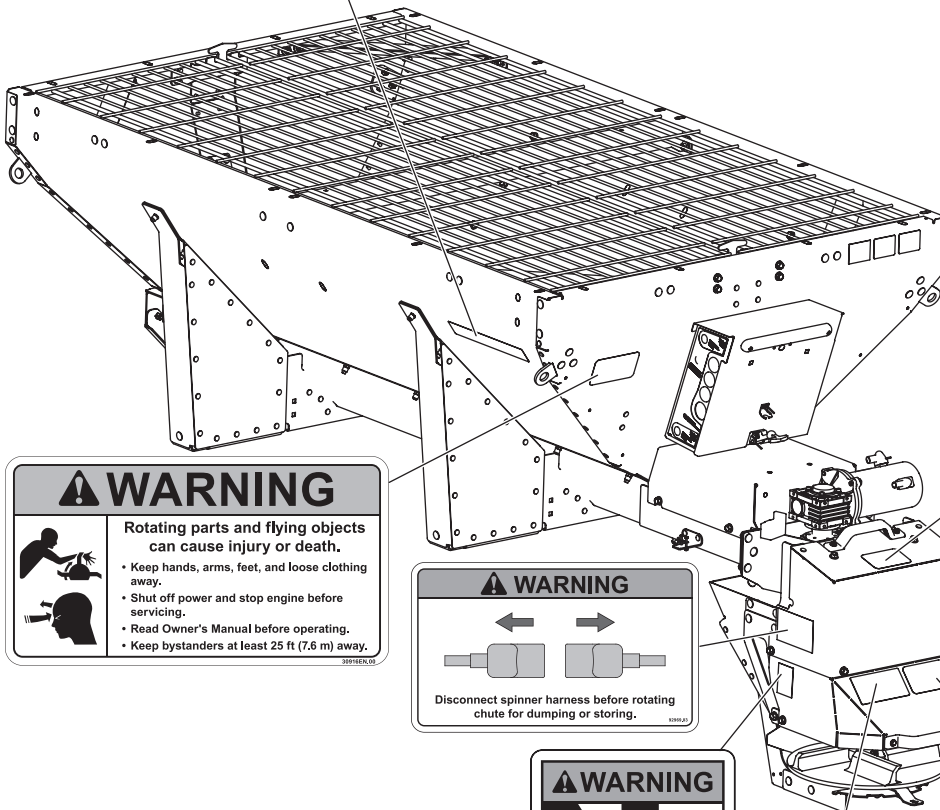
SAFETY

Auger Units

Warning/Caution Label (both sides of hopper)


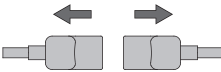
| | | | |
|---|----------------|--|----------------|
|  | WARNING |  | CAUTION |
| <ul style="list-style-type: none"> • DO NOT exceed vehicle weight ratings (including GVWR & GAWR) with spreader and load. • Turn spreader OFF before filling, adjusting, or cleaning. • Bystanders to stay a minimum of 25 feet (7.6 m) away from operating spreader. • DO NOT climb into or ride on spreader. • Keep hands, feet, and clothing away from moving conveyor/auger and spinner. | | <ul style="list-style-type: none"> • Read Owner's Manual before operating or servicing spreader. • Empty and clean spreader after every use. | |

31594EN.01



| | |
|--|----------------|
|  | WARNING |
| <p>Rotating parts and flying objects can cause injury or death.</p> <ul style="list-style-type: none"> • Keep hands, arms, feet, and loose clothing away. • Shut off power and stop engine before servicing. • Read Owner's Manual before operating. • Keep bystanders at least 25 ft (7.6 m) away. | |

30918EN.01

| | |
|---|----------------|
|  | WARNING |
|  | |
| <p>Disconnect spinner harness before rotating chute for dumping or storing.</p> | |



31594EN.01

| | |
|---|----------------|
|  | WARNING |
|  | |
| <p>Multiple Pinch Points</p> | |


32593EN.00

| | |
|--|---|
|  | WARNING |
|  | <p>No Step</p> <p>Slippery surface when wet.</p> <p>Falls may cause severe injury.</p> |

30918EN.01

| | |
|--|----------------|
|  | WARNING |
|  | |
| <ul style="list-style-type: none"> • DO NOT exceed GVWR or GAWR with spreader and load. • DO NOT overload spreader. • Load spreader evenly. | |

30918EN.01

| | |
|--|----------------|
|  | WARNING |
| <p>Vehicles <10,000 lb GVWR</p> <p>Obstructing the visibility from the vehicle's rear camera could result in serious injury or damage. An auxiliary camera system shall be installed if the vehicle's rear camera is removed or blocked.</p> | |

11100.00

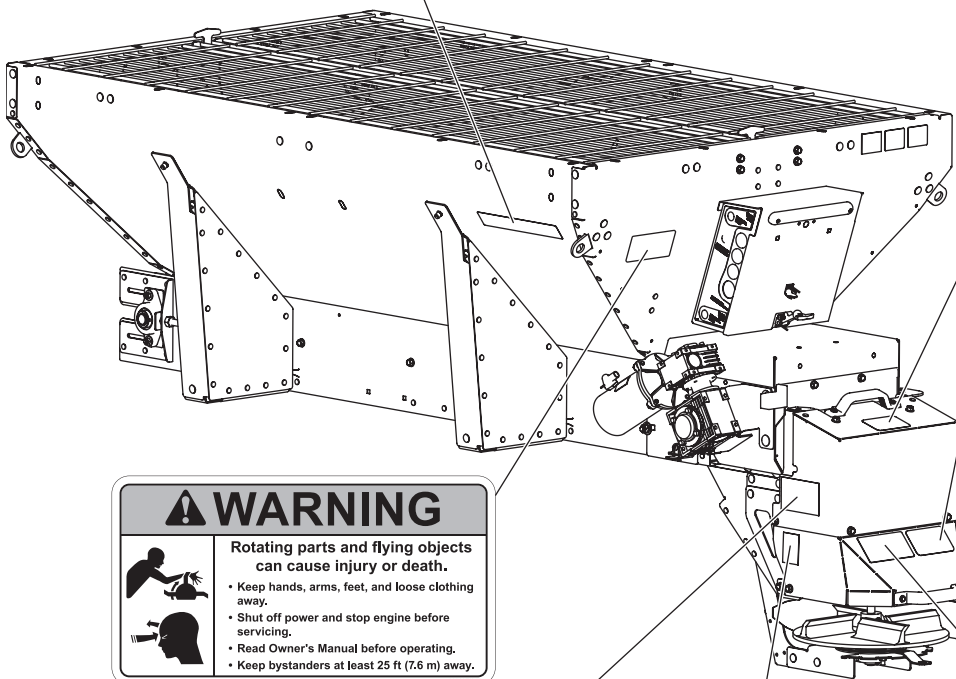
SAFETY

Chain Units

Warning/Caution Label (both sides of hopper)

| | | | |
|--|---|--|--|
| | <p>WARNING</p> <ul style="list-style-type: none"> • DO NOT exceed vehicle weight ratings (including GVWR & GAWR) with spreader and load. • Turn spreader OFF before filling, adjusting, or cleaning. • Bystanders to stay a minimum of 25 feet (7.6 m) away from operating spreader. • DO NOT climb into or ride on spreader. • Keep hands, feet, and clothing away from moving conveyor/auger and spinner. | | <p>CAUTION</p> <ul style="list-style-type: none"> • Read Owner's Manual before operating or servicing spreader. • Empty and clean spreader after every use. |
|--|---|--|--|

31594EN,01



WARNING

No Step

Slippery surface when wet.
Falls may cause severe injury.

30917EN,00

WARNING

- DO NOT exceed GVWR or GAWR with spreader and load.
- DO NOT overload spreader.
- Load spreader evenly.

30918EN,00

WARNING

Rotating parts and flying objects can cause injury or death.

- Keep hands, arms, feet, and loose clothing away.
- Shut off power and stop engine before servicing.
- Read Owner's Manual before operating.
- Keep bystanders at least 25 ft (7.6 m) away.

30916EN,00

WARNING

Disconnect spinner harness before rotating chute for dumping or storing.

30915EN,00

WARNING

Multiple Pinch Points

32593EN,00

WARNING

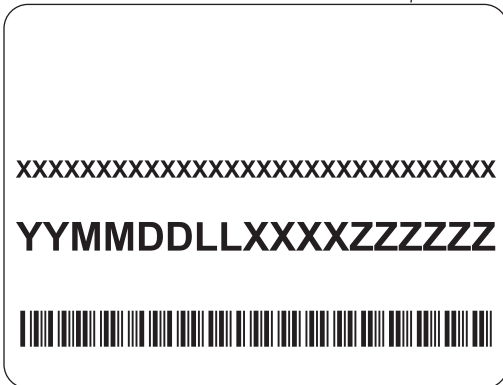
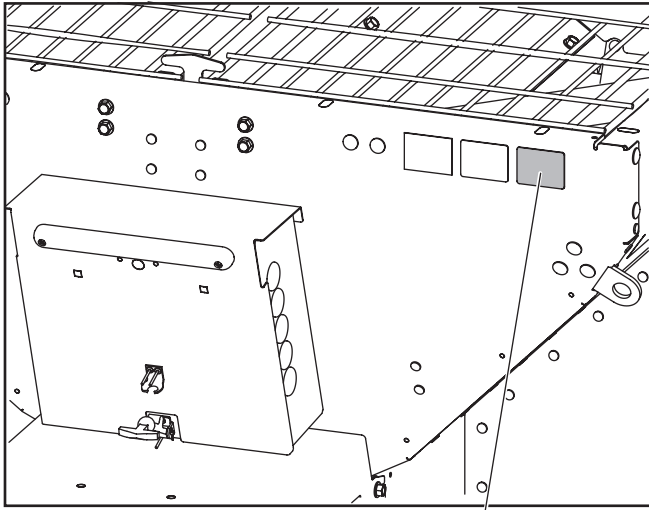
Vehicles <10,000 lb GVWR

Obstructing the visibility from the vehicle's rear camera could result in serious injury or damage. An auxiliary camera system shall be installed if the vehicle's rear camera is removed or blocked.

11100,00

SAFETY

SERIAL NUMBER LABEL



| Code | Definition |
|-------|---------------------------|
| YY | 2-Digit Year |
| MM | 2-Digit Month |
| DD | 2-Digit Day |
| LL | 2-Digit Location Code |
| XXXX | 4-Digit Sequential Number |
| ZZZZZ | 5- to 7-Digit Assembly PN |

SAFETY PRECAUTIONS

Improper installation and operation could cause personal injury and/or equipment and property damage. Read and understand labels and the Owner's Manual before installing, operating, or making adjustments.

⚠ WARNING

- Driver to keep bystanders minimum of 25 feet (7.62 m) away from operating spreader.
- Before working with the spreader, secure all loose-fitting clothing and unrestrained hair.
- Before operating the spreader, verify that all safety guards are in place.
- Before servicing the spreader, wait for conveyor or auger, and spinner to stop.
- Do not climb into or ride on spreader.

⚠ WARNING

Overloading could result in an accident or damage. Do not exceed GVWR or GAWR ratings as found on the driver-side vehicle door cornerpost. See Loading section to determine maximum volumes of spreading material.

⚠ WARNING

Do not install the control for this product in the deployment path of an air bag. Refer to vehicle manufacturer's manual for air bag deployment area(s).

⚠ WARNING

With chute removed, use dump switches to operate conveyor.

SAFETY

⚠ WARNING

Vehicles <10,000 lb (4536 kg) GVWR:
Obstructing the visibility from the vehicle's rear camera could result in serious injury or damage. An auxiliary camera system shall be installed if the vehicle's rear camera is removed or blocked.

⚠ CAUTION

If rear directional, CHMSL light, or brake stoplights are obstructed by the spreader, the lights shall be relocated, or auxiliary directional or brake stoplights shall be installed.

⚠ CAUTION

During the hopper installation we recommend the addition of an OSHA compliant backup alarm. This alarm is required for OSHA governed employers.


⚠ CAUTION

- Do not operate a spreader in need of maintenance.
- Before operating the spreader, reassemble any parts or hardware removed for cleaning or adjusting.
- Before operating the spreader, remove materials such as cleaning rags, brushes, and hand tools from the spreader.
- While operating the spreader, use auxiliary warning lights, except when prohibited by law.
- Tighten all fasteners according to the Torque Chart. Refer to Torque Chart for the recommended torque values.

⚠ CAUTION

Disconnect electric and/or hydraulic power and tag out if required before servicing or performing maintenance.

⚠ CAUTION

 **DO NOT** leave unused material in hopper. Material can freeze or solidify, causing unit to not work properly. Empty and clean after each use.

NOTE: Lubricate grease fittings after each use. Use a good quality multipurpose grease.

SAFETY

FUSES

The electrical system contains several blade-style automotive fuses. If a problem should occur and fuse replacement is necessary, the replacement fuse must be of the same type and amperage rating as the original. Installing a fuse with a higher rating can damage the system and could start a fire. Fuse Replacement, including fuse ratings and locations, is located in the Maintenance section of this Owner's Manual.

PERSONAL SAFETY

- Remove ignition key and put the vehicle in park or in gear to prevent others from starting the vehicle during installation or service.
- Wear only snug-fitting clothing while working on your vehicle or spreader.
- Do not wear jewelry or a necktie, and secure long hair.
- Wear safety goggles to protect your eyes from battery acid, gasoline, dirt, and dust.
- Avoid touching hot surfaces such as the engine, radiator, hoses, and exhaust pipes.
- Always have a fire extinguisher rated BC handy, for flammable liquids and electrical fires.

FIRE AND EXPLOSION

WARNING

Gasoline is highly flammable and gasoline vapor is explosive. Never smoke while working on vehicle. Keep all open flames away from gasoline tank and lines. Wipe up any spilled gasoline immediately.

Be careful when using gasoline. Do not use gasoline to clean parts. Store only in approved containers away from sources of heat or flame.

CELL PHONES

A driver's first responsibility is the safe operation of the vehicle. The most important thing you can do to prevent a crash is to avoid distractions and pay attention to the road. Wait until it is safe to operate mobile communication equipment such as cell phones, text messaging devices, pagers, or two-way radios.

VENTILATION

WARNING

Vehicle exhaust contains lethal fumes. Breathing these fumes, even in low concentrations, can cause death. Never operate a vehicle in an enclosed area without venting exhaust to the outside.

SAFETY

BATTERY SAFETY

⚠ CAUTION

Batteries normally produce explosive gases which can cause personal injury. Therefore, do not allow flames, sparks, or lit tobacco to come near the battery. When charging or working near a battery, always cover your face and protect your eyes, and also provide ventilation.

- Batteries contain sulfuric acid, which burns skin, eyes, and clothing.
- Disconnect the battery before removing or replacing any electrical components.

NOISE

Airborne noise emission during use is below 70 dB(A) for the spreader operator.









VIBRATION

Operating spreader vibration does not exceed 2.5 m/s² to the hand-arm or 0.5 m/s² to the whole body.

TORQUE CHART

⚠ CAUTION

Read instructions before assembling. Fasteners should be finger tight until instructed to tighten according to the Torque Chart. Use standard methods and practices when attaching spreader, including proper personal protective safety equipment.

| Recommended Fastener Torque Chart | | | | | |
|--|---|--|------------|---|--|
| Inch Fasteners Grade 5 and Grade 8 | | | | | |
| Size | Torque ft-lb <i>N-m</i> | | Size | Torque ft-lb <i>N-m</i> | |
| |  Grade 5 |  Grade 8 | |  Grade 5 |  Grade 8 |
| 1/4-20 | 8.4 11.4 | 11.9 16.2 | 9/16-12 | 109 148 | 154 209 |
| 1/4-28 | 9.7 13.1 | 13.7 18.5 | 9/16-18 | 121 164 | 171 232 |
| 5/16-18 | 17.4 23.6 | 24.6 33.3 | 5/8-11 | 150 203 | 212 287 |
| 5/16-24 | 19.2 26.0 | 27.3 36.9 | 5/8-18 | 170 230 | 240 325 |
| 3/8-16 | 30.8 41.8 | 43.6 59.1 | 3/4-10 | 269 365 | 376 510 |
| 3/8-24 | 35.0 47.5 | 49.4 67.0 | 3/4-16 | 297 403 | 420 569 |
| 7/16-14 | 49.4 67.0 | 69.8 94.6 | 7/8-9 | 429 589 | 606 822 |
| 7/16-20 | 55.2 74.8 | 77.9 105.6 | 7/8-14 | 474 643 | 669 907 |
| 1/2-13 | 75.3 102.1 | 106.4 144.3 | 1-8 | 644 873 | 909 1232 |
| 1/2-20 | 85.0 115.2 | 120.0 162.7 | 1-12 | 704 954 | 995 1349 |
| Metric Fasteners Class 8.8 and 10.9 | | | | | |
| Size | Torque ft-lb <i>N-m</i> | | Size | Torque ft-lb <i>N-m</i> | |
| |  Class 8.8 |  Class 10.9 | |  Class 8.8 |  Class 10.9 |
| M6 x 1.00 | 7.7 10.4 | 11.1 15.0 | M20 x 2.50 | 325 441 | 450 610 |
| M8 x 1.25 | 19.5 26.4 | 26.9 36.5 | M22 x 2.50 | 428 580 | 613 831 |
| M10 x 1.50 | 38.5 52.2 | 53.3 72.2 | M24 x 3.00 | 562 762 | 778 1055 |
| M12 x 1.75 | 67 91 | 93 126 | M27 x 3.00 | 796 1079 | 1139 1544 |
| M14 x 2.00 | 107 145 | 148 200 | M30 x 3.50 | 1117 1515 | 1545 2095 |
| M16 x 2.00 | 167 226 | 231 313 | M33 x 3.50 | 1468 1990 | 2101 2849 |
| M18 x 2.50 | 222 301 | 318 431 | M36 x 4.00 | 1952 2647 | 2701 3662 |
| These torque values apply to fasteners except those noted in the instructions. | | | | | |

LOADING

This Owner's Manual covers vehicles that have been recommended for carrying the hopper spreader. Please see your local dealer for proper vehicle applications.

CERTIFICATION

⚠ WARNING

New untitled vehicle installation of a spreader requires National Highway Traffic Safety Administration altered vehicle certification labeling. Installer to verify that struck load of snow or ice control material does not exceed GVWR or GAWR rating label and complies with FMVSS.

⚠ WARNING

Overloading could result in an accident or damage. Do not exceed GVWR or GAWR as found on the driver-side cornerpost of vehicle.

⚠ CAUTION

Never use wet materials or materials with foreign debris with any of these spreaders. These units are designed to handle dry, clean, free-flowing material.

⚠ CAUTION



Read and adhere to manufacturer's ice-control material package labeling, including Safety Data Sheet requirements.

MATERIAL WEIGHTS

| Material | Density | | |
|----------|-----------------------|-----------------------|----------------------|
| | (lb/ft ³) | (lb/yd ³) | (kg/m ³) |
| Salt | 80 | 2160 | 1282 |
| Sand | 100 | 2700 | 1602 |

Material densities are approximate and are based on dry, loose material. It is the responsibility of the operator to know the weight of the material to be spread and the vehicle carrying capacity.

SPREADER SPECIFICATIONS

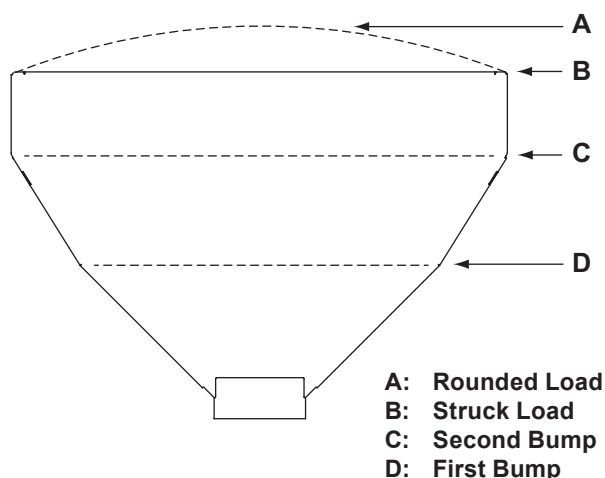
| Hopper Model | Overall Length (in / cm) | Hopper Length (in / cm) | Overall Width (in / cm) | Bed Height (in / cm) | Bed Length (in / cm) | Empty Weight (lb / kg) |
|--------------|--------------------------|-------------------------|-------------------------|----------------------|----------------------|------------------------|
| S150C | 96 / 244 | 84 / 213 | 50 / 127 | 32 / 81 | 76 / 193 | 587 / 266 |
| S150A | 102 / 259 | 84 / 213 | 50 / 127 | 32 / 81 | 76 / 193 | 580 / 263 |
| S220C | 114 / 290 | 96 / 244 | 50 / 127 | 36 / 91 | 90 / 229 | 641 / 291 |
| S220A | 114 / 290 | 96 / 244 | 50 / 127 | 36 / 91 | 90 / 229 | 633 / 287 |
| S300C | 114 / 290 | 96 / 244 | 70 / 178 | 41 / 104 | 90 / 229 | 811 / 368 |
| S300A | 120 / 305 | 96 / 244 | 70 / 178 | 41 / 104 | 90 / 229 | 794 / 360 |
| S400C | 116 / 295 | 108 / 274 | 70 / 178 | 44 / 112 | 96 / 244 | 854 / 387 |
| S400A | 120 / 305 | 108 / 274 | 70 / 178 | 44 / 112 | 96 / 244 | 836 / 379 |
| S500C | 116 / 295 | 108 / 274 | 70 / 178 | 51 / 130 | 96 / 244 | 900 / 408 |
| S500A | 120 / 305 | 108 / 274 | 70 / 178 | 51 / 130 | 96 / 244 | 881 / 400 |

C = Chain; A = Auger

LOADING

LOAD VOLUME

| Hopper Model | Load Volume (yd ³ / m ³) | | | |
|--------------|---|------------|------------|------------|
| | A | B | C | D |
| S150 | 1.9 / 1.45 | 1.5 / 1.15 | 1.1 / 0.84 | 0.7 / 0.54 |
| S220 | 2.5 / 1.91 | 2.2 / 1.68 | 1.2 / 0.92 | 0.8 / 0.61 |
| S300 | 3.4 / 2.60 | 3.0 / 2.29 | 2.5 / 1.91 | 1.0 / 0.76 |
| S400 | 4.4 / 3.36 | 4.0 / 3.06 | 2.6 / 1.99 | 1.1 / 0.84 |
| S500 | 5.4 / 4.13 | 5.0 / 3.82 | 2.6 / 1.99 | 1.1 / 0.84 |



DETERMINING VEHICLE PAYLOAD

⚠ WARNING

Overloading could result in an accident or damage. Do not exceed GVWR or GAWR ratings as found on the driver-side door cornerpost of the vehicle. See Loading section to determine maximum volumes of spreading material.

1. Install the hopper spreader and optional equipment according to the Installation Instructions.
2. Install or attach any other equipment that will be on the vehicle while the hopper spreader will be in use (step bumper, trailer hitch, snowplows, etc.). Fill gas tanks.
3. Obtain the Gross Vehicle Weight Rating (GVWR), Front Gross Axle Weight Rating (FGAWR), and Rear Gross Axle Weight Rating (RGAWR) from the certification label located inside the driver-side door jamb or door.
4. With the occupants in the truck for normal hopper spreader operation, weigh the vehicle to obtain gross vehicle weight (GVW).
5. Subtract the GVW from the GVWR to determine the available material payload.
6. Obtain the weight per cubic yard (lb/yd³) or cubic meter (kg/m³) of the desired material. Divide the weight into the payload to determine the maximum volume of material that can be carried.
7. Refer to the Load Volume table and diagrams to determine the maximum fill level for the material.
8. Fill the hopper with material to the calculated level. Reweigh the vehicle with occupants and verify that the Loaded Gross Vehicle Weight, Front Gross Axle Weight, and Rear Gross Axle Weight are less than the vehicle's ratings.
9. Repeat Steps 6–8 for each type of material.

The worksheet for Determining Vehicle Payload (next page) includes an example.

LOADING

Determining Vehicle Payload Worksheet

| | Material Type | <i>Example:</i> Dry Salt | | | | |
|---|---|------------------------------------|--|--|--|--|
| A | Equipment installed when vehicle was weighed | 8' Stainless Steel Hopper Spreader | | | | |
| B | Front Gross Axle Weight Rating [FGAWR] (lb/kg) | 6000 | | | | |
| C | Rear Gross Axle Weight Rating [RGAWR] (lb/kg) | 7000 | | | | |
| D | Gross Vehicle Weight Rating [GVWR] (lb/kg) | 11,000 | | | | |
| E | Gross Vehicle Weight [GVW], empty (lb/kg) | - 7402 | | | | |
| F | Payload Available (lb/kg) | = 3598 | | | | |
| G | Material Density (lb/yd ³) or (kg/m ³) | ÷ 2160 | | | | |
| H | Maximum Volume (yd ³ /m ³) | = 1.67 | | | | |
| I | Maximum Material Fill Level, approx. Refer to Load Volume table and diagrams. | C | | | | |
| J | Loaded Front Gross Axle Weight (lb/kg) Must be less than weight in Row B. | | | | | |
| K | Loaded Rear Gross Axle Weight (lb/kg) Must be less than weight in Row C. | | | | | |
| L | Loaded Gross Vehicle Weight [GVW] (lb/kg) Must be less than weight in Row D. | | | | | |

MOUNTING THE SPREADER

INSTALL HOPPER IN TRUCK BED

NOTE: Periodically throughout the snow and ice control season, verify that mounting devices are secure.

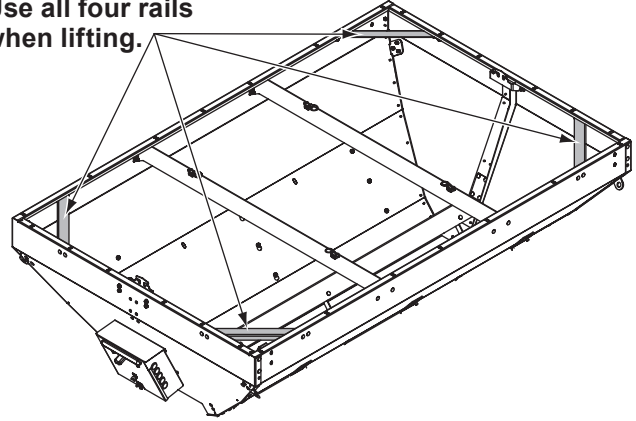
⚠ CAUTION

Before lifting, verify that the hopper is empty of material. The lifting device must be able to support the spreader's weight as shown in the spreader specifications table.

1. Remove the top screens and set them aside. Remove any debris from inside the hopper.
2. If the material chute has been stored inside the hopper, remove the chute and set it aside. Two or more people are recommended for this step, as the chute weighs more than 60 lb (27.2 kg).
3. Remove the vehicle tailgate.

4. Lift the spreader by the four diagonal corner rails, as shown, using slings or chains. Move the spreader into the truck bed.

Use all four rails when lifting.



MOUNTING THE SPREADER

⚠ WARNING

**Spreader shall be bolted to vehicle frame.
Do not rely on the tie-down chains or straps
alone to hold spreader in vehicle.**

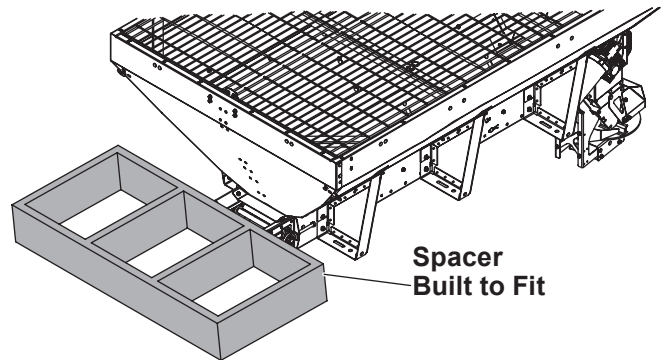
5. Adjust the spreader position to align the holes in the hopper support legs with the mounting holes in the truck bed. If mounting holes are not already drilled, refer to the hopper spreader Installation Instructions.

Install the spreader to the truck bed using four 5/8" Grade 5 bolts (as required by the vehicle application), 5/8" flat washers on both sides, and 5/8" locknuts.

If the mounting holes are not directly over the truck box supports, the truck bed must be braced to the frame to prevent buckling or deforming the truck bed. Accessory mounting bars are available for installations that require additional bracing. Contact your authorized dealer.

NOTE: Pay special attention when drilling or clamping dissimilar metals to aluminum bodies. Galvanic corrosion can occur if not handled properly. Contact vehicle manufacturer for recommended attachment practices.

6. Connect the vehicle-side harness to the hopper-side harness.
7. Reinstall the top screens.
8. Install the sill spacer between the end of the hopper sill and the front of the truck bed as shown. If you do not have a spacer, refer to the hopper spreader Installation Instructions for directions on building one. **Failure to install this spacer could result in damage to the spreader.**



Tie-Down Straps

Install tie-down straps from the tie-down loops on the spreader body to the truck frame. Use one strap per loop, pulling diagonally away from the hopper body.

MOUNTING THE SPREADER

CHUTE INSTALLATION

Chute Configurations

The chute comes in two lengths.

- **Short Chute for S150 and S220 Models:** Short chute configuration is standard and will fit most pickup trucks
 - **Chain Units:** The chute extends 20" (51 cm) below the truck bed.
 - **Auger Units:** The chute extends 18.5" (47 cm) below the truck bed.
- **Long Chute for S300, S400, and S500 Models:** Long chute configuration is standard. Required for flat bed and dump truck installations.
 - **Chain Units:** The chute extends 32" (81 cm) below the truck bed.
 - **Auger Units:** The chute extends 30.5" (77 cm) below the truck bed.

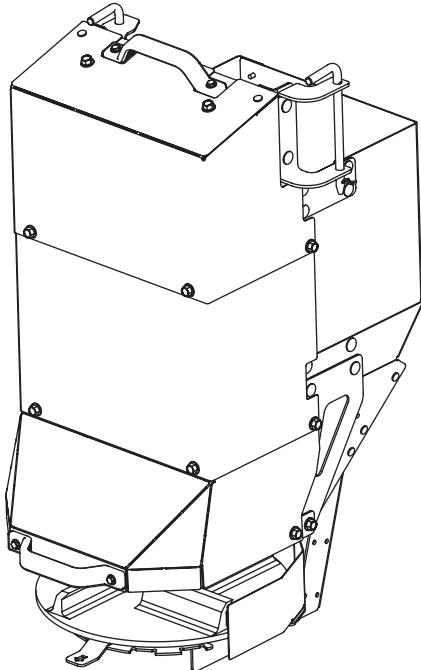
Ideal spinner height is 12"–18" (30 cm–46 cm) above the ground. For some installations the chute length may need to be adjusted to achieve the desired spinner height.

If no length adjustment is required, go to "Install Chute to Hopper."

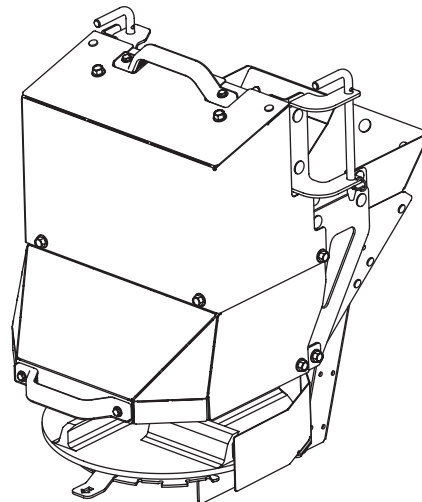
Extending a short chute requires installation of the Chute Middle Section Kit (available from your authorized dealer). Follow the instructions packed with the kit.

A long chute can be shortened by removing the middle section. Refer to the hopper spreader Installation Instructions.

Long Chute
for
S300C, S400C & S500C Models



Short Chute
for
S150C & S220C Models



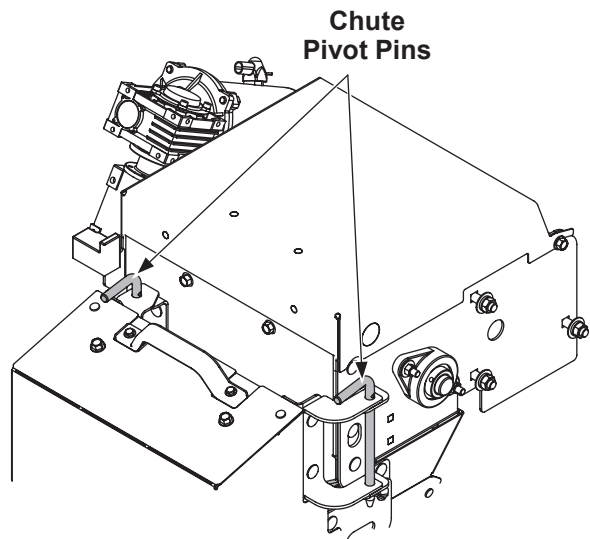
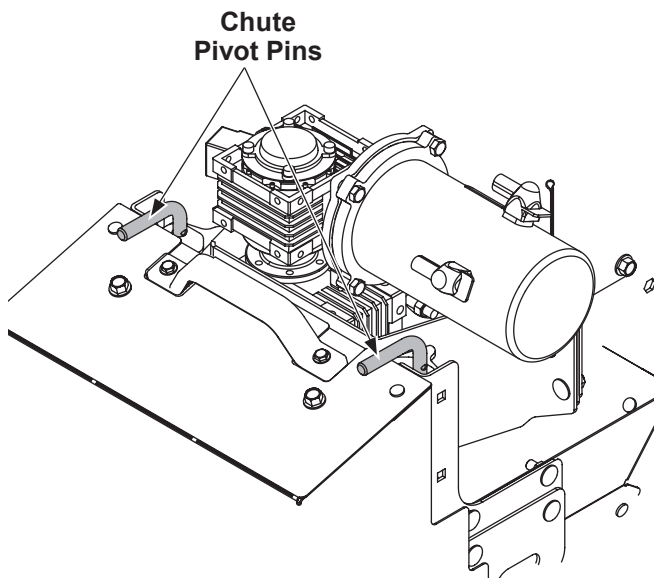
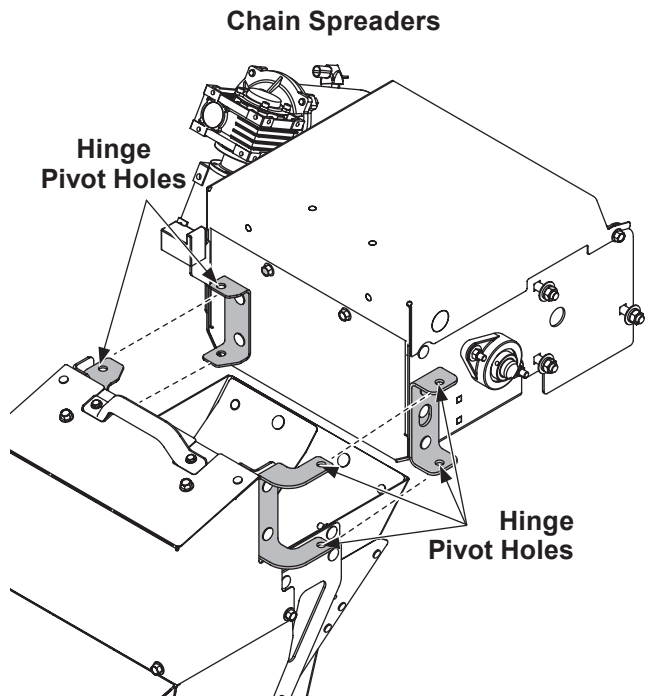
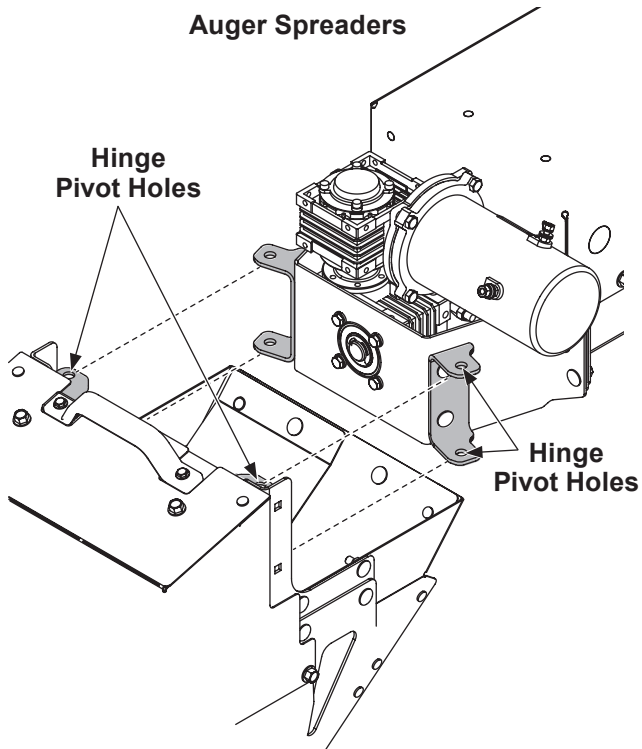
Chain versions of chute shown.

MOUNTING THE SPREADER

Install Chute to Hopper

1. Two people are recommended for this step. Pick up the chute from each side and slide the chute hinges over the hopper hinges. Line up the hinge pivot holes.

2. Insert a 1/2" x 8-1/2" chute pin on each side and secure with a 3/32" x 2-1/4" cotter pin. The chute can pivot on either pin to provide access to the feed area of the hopper. The chute is designed to swing open in one direction only. It cannot be opened without disconnecting the hopper harness cable.
3. Connect the chute motor plug to the hopper harness plug.



OPERATING THE SPREADER

CAB CONTROL

⚠ WARNING

Never operate equipment when under the influence of alcohol, drugs, or medications that might alter your judgment and/or reaction time.

⚠ WARNING

Never exceed 45 mph (72 km/h) when loaded spreader is attached to vehicle. Braking distances may be increased and handling characteristics may be impaired at speeds above 45 mph (72 km/h).

⚠ WARNING

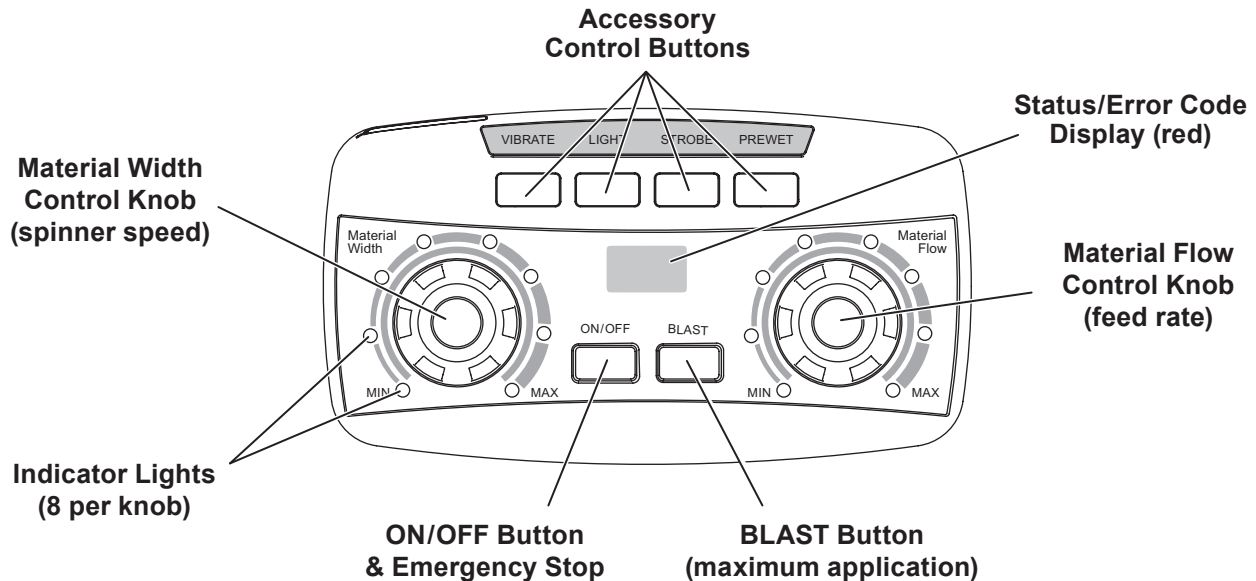
Never allow children to operate or climb on equipment.

Powering the Control

Power is not applied to the control until the vehicle ignition is turned to ACC or ON. Once the control has power it performs a light check and displays the software version on the status display. The control then checks for a connected spreader. If no spreader is detected, the control does the following:

- **nC** (no connection) appears on the red status display for five seconds;
- A single beep;
- Control enters Standby mode with no lights illuminated.

If any button is pressed on the control, it will wake and check again for spreader connection. If no spreader is detected, it will act as described above. If a spreader is detected, it will transition to Ready mode.



OPERATING THE SPREADER

Starting and Stopping Spreader

⚠ WARNING

Before starting the spreader, the driver shall verify that all bystanders are a minimum of 25 feet (7.62 m) away from operating spreader.

To start the spreader, press the ON/OFF button. The control backlights are illuminated when the vehicle ignition is ON and the spreader is connected. When the spreader is ON, the ON/OFF button and inner arc around each control knob will also illuminate.

To stop the spreader, press the ON/OFF button again.

The ON/OFF button also operates as an emergency stop when required.

NOTE: The vehicle ignition must be ON to start the spreader.

NOTE: If vehicle ignition is turned OFF while spreader is running, the motors will stop.

Controlling Material Application

The material application settings can be adjusted while spreader is ON or OFF. Settings are shown by the indicator lights around the control knobs. When the spreader is OFF, a single LED will light to show the current setting. When the spreader is ON, the number of blue LEDs illuminated will increase/decrease as the knobs are turned clockwise/counterclockwise.

The hopper drive will not deliver material until the ON button is pressed.

The Material Width (left) knob controls spinner speed. Turning the knob clockwise will increase the width of the application area.

The Material Flow (right) knob controls the hopper drive. Turning the knob clockwise will increase the feed rate of material to the spinner.

Turning the control knobs counterclockwise will decrease the width of the application area and the feed rate of material, respectively.

BLAST/Maximum Application

1. Press and hold the BLAST button when maximum flow rate and application area are needed temporarily. The BLAST button will illuminate while depressed.
2. Release the button when maximum application settings are no longer needed.

NOTE: Spinner speed and material feed rate revert to the previous settings once the BLAST button is released.

OPERATING THE SPREADER

Cab Control Modes

Standby Mode

Vehicle ignition is set to ACC or ON; cab control is OFF. Control has power. No spreader was detected. No lights are illuminated on the control. Press any button to wake.

Ready Mode

Vehicle ignition is set to ACC or ON; cab control is OFF. Control has power. Spreader is detected.

The Material Width and Material Flow control knobs can be set to start-up conditions, but the spinner and drives will not operate until the cab control is turned ON.

Accessory lights and vibrator (if installed) are operational. The BLAST function is not operational.

ON Mode

Vehicle ignition is set to ACC or ON; cab control is ON.

Spinner and hopper motors will start. All cab control functions are operational. Accessory lights and vibrator (if installed) are operational.

During normal spreader operation, **no control codes are displayed**. Information or setup codes will appear when relevant. These codes will not stop spreader operation.

Error Mode

When an error condition occurs, spreader operation will shut down. A two-character error code will flash on the display and a beep will sound. If there are multiple error codes, the codes will flash in a repeating sequence.

Refer to the Error Codes portion of the following Cab Control Codes table. Also see the Troubleshooting Guide section of this manual.

Once the error condition has been resolved, press the ON/OFF button to clear the error code(s). Press the ON/OFF button again to resume spreader operation.

The error code will reappear if the error condition has not been rectified. If the error condition persists, contact your authorized dealer.

Multiple resets within a short time frame will cause the hopper module to time out if components are overheating. The control will display an **EF** error code.

Accessory work lights and strobe lights can be used when an error code is in effect and will remain in their current state. The vibrator and pre-wet will not function.

OPERATING THE SPREADER

Cab Control Codes

| Setup Codes | | |
|-------------|--|--|
| Code | Definition | Procedure |
| Cb | Calibrate the Empty Hopper setting. | With control in ON mode, press and hold the left control knob until the Cb code displays. Calibration cycle is automatic.* |
| Cc | Clear calibration data for Empty Hopper setting; clear EH code. | Press the right control knob to clear all calibration data during the calibration cycle. |
| LS | Set LED brightness level. | With control in Ready mode, press and hold left control knob to get LS code. Release pressure and turn left control knob to desired brightness setting. Wait for confirming SL code to display.* |
| SL | Confirms that LED brightness level has been reset. | |

* For full instructions, see the "Setup Procedures" section.

| Information Codes | | |
|-------------------|---|--|
| Code | Definition | Response |
| Ar | Auto-reverse sequence is active. | The spreader will automatically detect and attempt to clear a jam. See the Operating the Spreader section of this manual. |
| dU | Spreader is in dump mode: <ul style="list-style-type: none"> • Material chute is open. • Back Dump buttons are enabled. | To operate the dump function, see instructions in the "Operating the Spreader" section of this manual. If dU code displays when the material chute is closed and latched, contact authorized dealer. |
| EH | Empty hopper (beep will sound). | Check hopper for material. Recalibrate Empty Hopper setting as described above for Cb code. |
| Lb | Low battery. Hopper module is sensing < 10V. (Lb becomes an error code when module senses < 6V.) | Refer to the Lb row under "Error Codes" (next table). |

OPERATING THE SPREADER

| Error Codes – Spreader Operation Stopped | | | |
|---|--|---|---|
| Code | Definition | Possible Cause | Suggested Solution |
| bb | Bad button. | Button is stuck. Button was pressed while vehicle ignition was entering ACC or START mode. | Inspect control. Free up button. Do not press any spreader cab control buttons while the vehicle ignition is being engaged. |
| bH | Bad hopper. | Possible module or control mismatch. | Replace control or module. Use only genuine service parts. Contact authorized dealer. |
| CE | No communication with spreader module. | Loose connection. Module lost power. | Confirm that spreader and control harnesses are connected to the vehicle harness. Check power to spreader module, all connections, fuses, and power studs. Check that B port is plugged in. |
| CP | Chute present fault. | Bad connection at chute connection. | Check chute connection. Reset the control by pressing the ON/OFF button. If CP code continues to display, contact authorized dealer. |
| Ct | Control is hot. | Cab temperature is too high. Control overheated. | Turn spreader OFF and allow control to cool off. |
| EF | Excessive drive faults. | Too many HO and/or SO error codes; hopper module overheating. | Control times out for 60 seconds. Ensure that conveyor, auger, and/or spinner are not jammed. |
| HO | Hopper overload – software trip. | Drive system has high current. Material is jammed. | Inspect conveyor and auger; clear material jam or fix chain as needed. |
| HO. | Hopper overload – hardware trip. | Driveline is damaged. | |
| HP | Hopper power issue. No motor present. | Hopper drive motor is not connected. Possible motor defect. | Check connections to the conveyor drive motor (P—FEED and GND posts on the module and studs on the motor). Replace the motor. |

Table continues on next page.

OPERATING THE SPREADER

Cab Control Codes *continued*

| Error Codes – Spreader Operation Stopped | | | |
|--|---|---|---|
| Code | Definition | Possible Cause | Suggested Solution |
| Lb | Low battery. Hopper module is sensing $\leq 6V$. | Bad connection or low battery. Snowplow or other vehicle power use may be driving down voltage. | Voltage is measured at the hopper module, so Lb code may indicate cable voltage loss. Check battery, alternator, and connections. |
| nC | No connection. | Spreader not connected to vehicle harness. | Connect vehicle and spreader harness. Check vehicle harness fuse. Inspect spreader and vehicle harnesses. Check module. |
| OH | Overheating. | Spreader module is too hot. Spreader module malfunction. Accessories wiring/function problem. Drive motor overload. | Allow a cool-off period of 60 seconds or longer. Check for loose harness connections. Check accessory connections. Check integrity of accessory wiring and harness. Clear jammed material. Contact authorized dealer. |
| OH. | Overheating module – microprocessor. | | |
| rS | Reset of spreader module. | Power loss to module detected on startup. | Reset the control by pressing the ON/OFF button. Check vehicle harness and battery connection. |
| SO | Spinner drive overload – software trip. | Material jammed in chute. Spinner shaft is damaged. | Inspect spinner and spinner drive components for alignment and condition. Check for damage to bearings and shafts. Adjust and replace parts as required. |
| SO. | Spinner drive overload – hardware trip. | | |
| SP | Spinner power issue. No motor present. | Spinner drive motor is not connected. Possible motor defect. | Check connections to the motor (SPIN and GND posts on the module). Replace the motor. |

OPERATING THE SPREADER

Setup Procedures

Calibrate the Empty Hopper Setting (**Cb** and **EH** Codes)

Calibrating the empty hopper setting enables the cab control to alert the operator when the hopper is empty.

Recalibrate the empty hopper setting at the start of each ice-control season.

1. Ensure that the hopper is empty before beginning the calibration.
2. Turn the vehicle ignition to ACC or ON. Press the ON/OFF button on the cab control to turn the control ON.
3. Press and hold the Material Width (left) knob for approximately 10 seconds until the **Cb** code displays.
4. The calibration cycle will begin. The blue LEDs around the Material Flow (right) knob will illuminate in succession until all eight are lit.
5. When the automatic calibration cycle is complete, the control will automatically revert to the previous material application settings.

If the control is turned OFF or loses power during the calibration cycle, the calibration data will be lost. Make sure the control is ON and restart the calibration process at Step 3.

Once the empty hopper setting has been calibrated, the **EH** code will flash on the display and a beep will sound whenever the hopper is empty. The **EH** code is informational only and will not stop spreader operation.

Clearing Empty Hopper Calibration Data (**Cc** Code)

The empty hopper calibration may be cleared, if desired. The control will no longer display the **EH** status code when the hopper is empty.

Start the calibration cycle as described above. At Step 4, press the Material Flow (right) knob during the calibration cycle to clear *all* calibration data. The **Cc** (Clear Calibration) code will display and the control will exit **Cc** mode automatically.

OPERATING THE SPREADER

Adjust LED Brightness Level (LS and SL Codes)

The brightness setting of the cab control lights can be adjusted from 1 to 16. The factory default setting is 8.

1. Turn the vehicle ignition to ACC or ON. If necessary, press the cab control ON/OFF button to turn the control OFF.
2. Press and hold the Material Width (left) knob for approximately 3 seconds until the **LS** code is displayed.
3. Release the knob and turn it clockwise or counterclockwise to increase/decrease the brightness level. The light level number will show in the status display.
4. After selecting the desired brightness level, wait a few seconds for the **SL** confirmation code to display.

NOTE: A brightness level setting of 12 or higher is recommended for daylight conditions.

OPERATING THE SPREADER

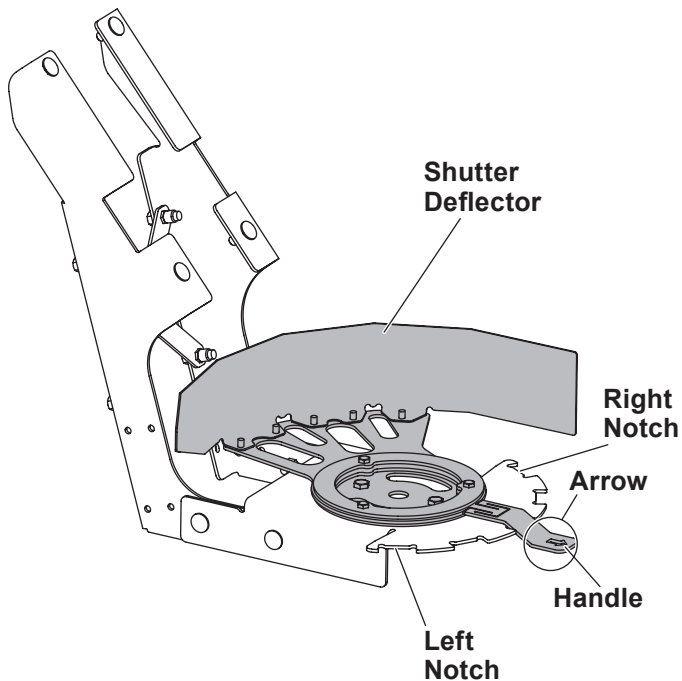
SPREAD PATTERN ADJUSTMENT

The spread pattern and amount of material dispensed depend on hopper drive speed and shutter deflector setting.

- Decreasing hopper drive speed will decrease the amount of material coming to the spinner.
- Increasing hopper drive speed will increase the amount of material coming to the spinner.

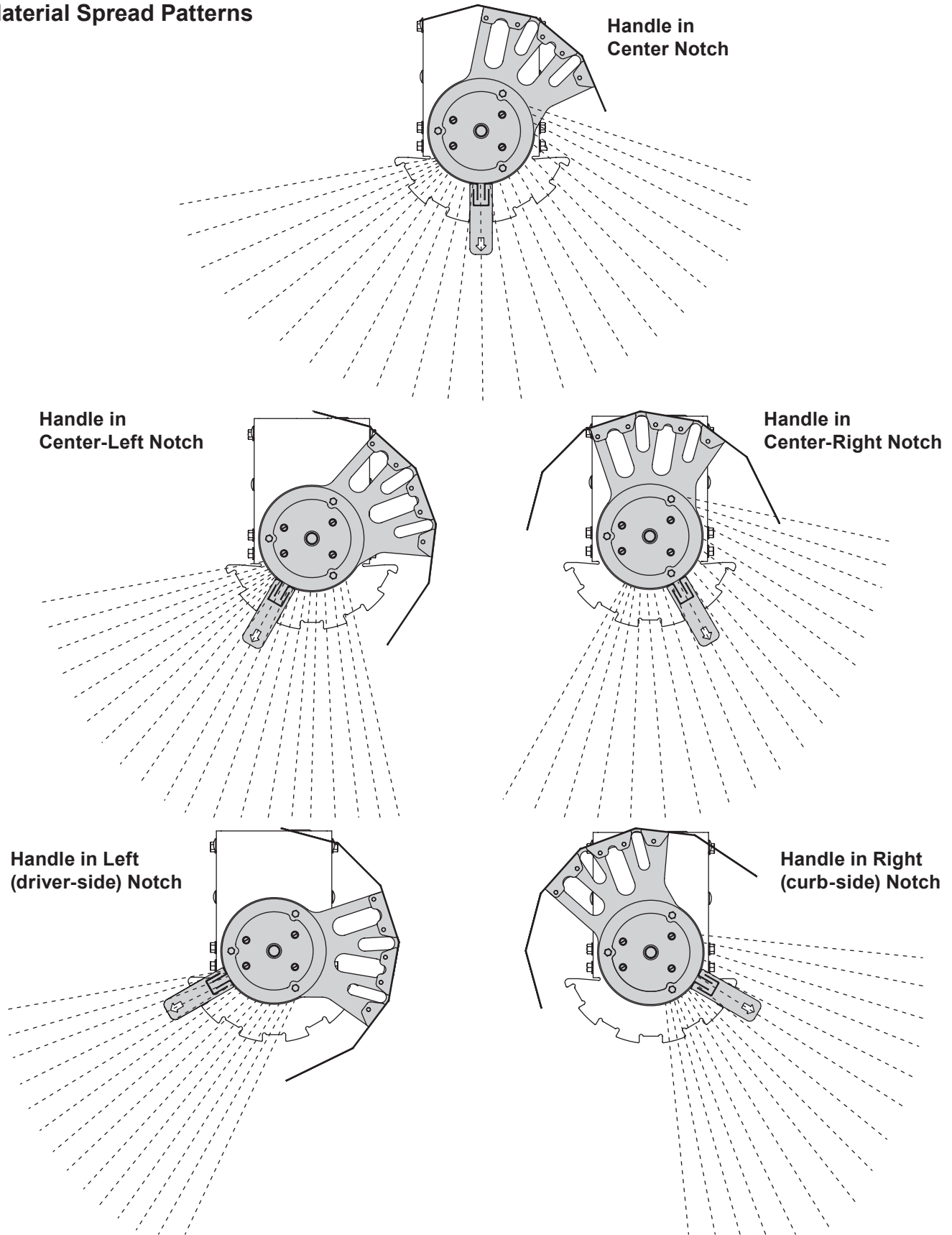
Material spread pattern is directed to left, right, or center by the movable shutter deflector. Lift the handle and set in the desired notch. The arrow points in the direction of material flow.

- *Handle in the left and center-left notches:* Material is directed to the left (driver's) side of the vehicle.
- *Handle in the center notch:* Material is directed evenly to both sides of the vehicle.
- *Handle in the right and center-right notches:* Material is directed to the right (curb) side of the vehicle.



OPERATING THE SPREADER

Material Spread Patterns



OPERATING THE SPREADER

DUMP FUNCTION

The dump function allows the operator to activate the material feed buttons to empty the hopper after use or load material into a walk-behind spreader.

The dump function is a two-handed operation requiring the operator to press two buttons at the same time. The material feed buttons are located on opposite sides of the power box/accessory hub on the chute end of the hopper.

1. Unplug the cable before opening or removing the chute. Swing the chute to the side or remove it entirely.
2. Position the material receptacle or walk-behind spreader under the end of the conveyor.
3. Standing to one side of the conveyor exit, press and hold both buttons to operate the conveyor.

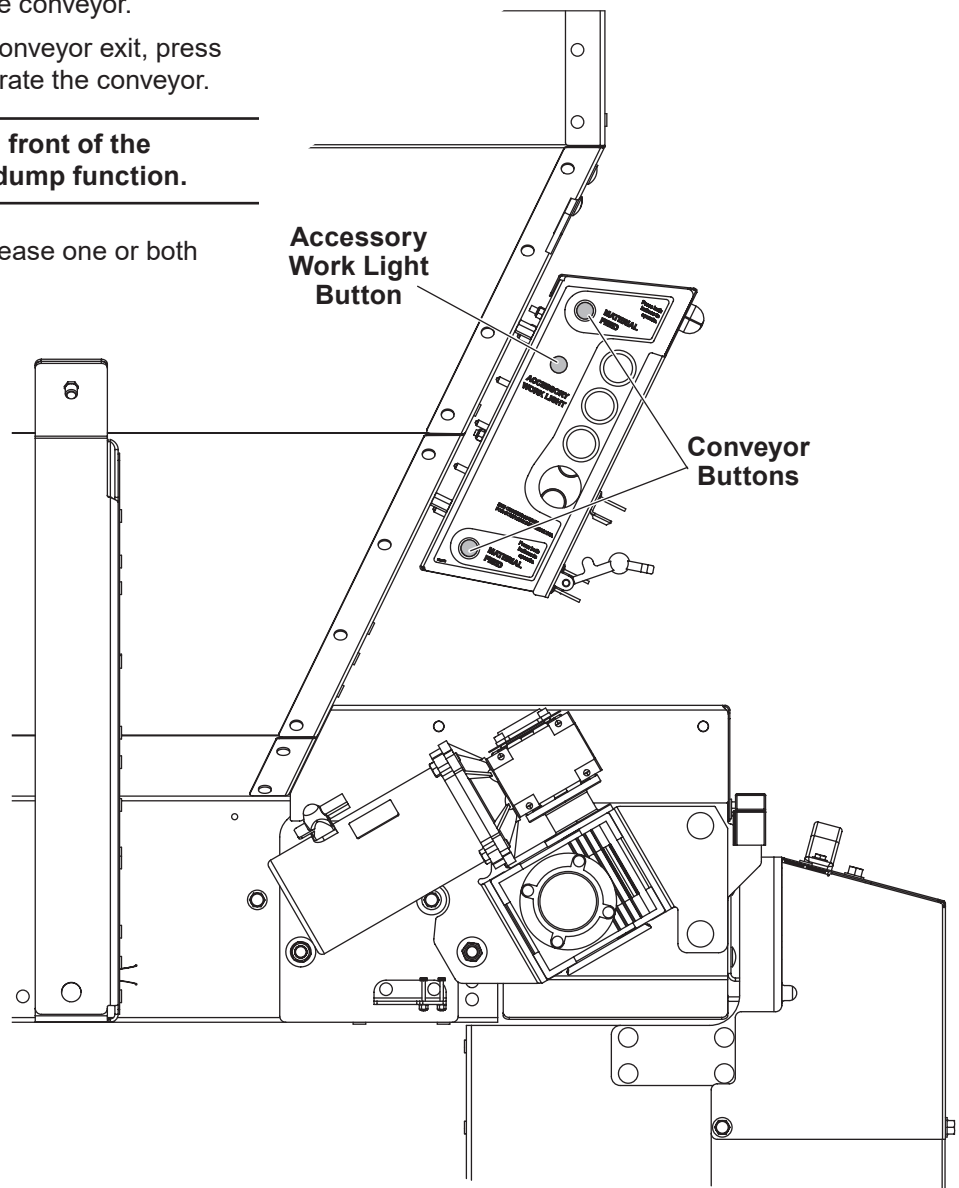
NOTE: Do not stand directly in front of the conveyor when operating the dump function.

4. To stop the material feed, release one or both buttons.

ACCESSORY WORK LIGHT

The spreader is equipped with a button to operate an accessory work light. The button is on the driver's side of the power box on the chute end of the hopper. The work light can also be turned on and off from the cab control.

The accessory rear lighting package includes a harness, relay, fuse, and LED work light. A second LED light and harness can be added as well. Accessory work light kits are available through your authorized dealer.



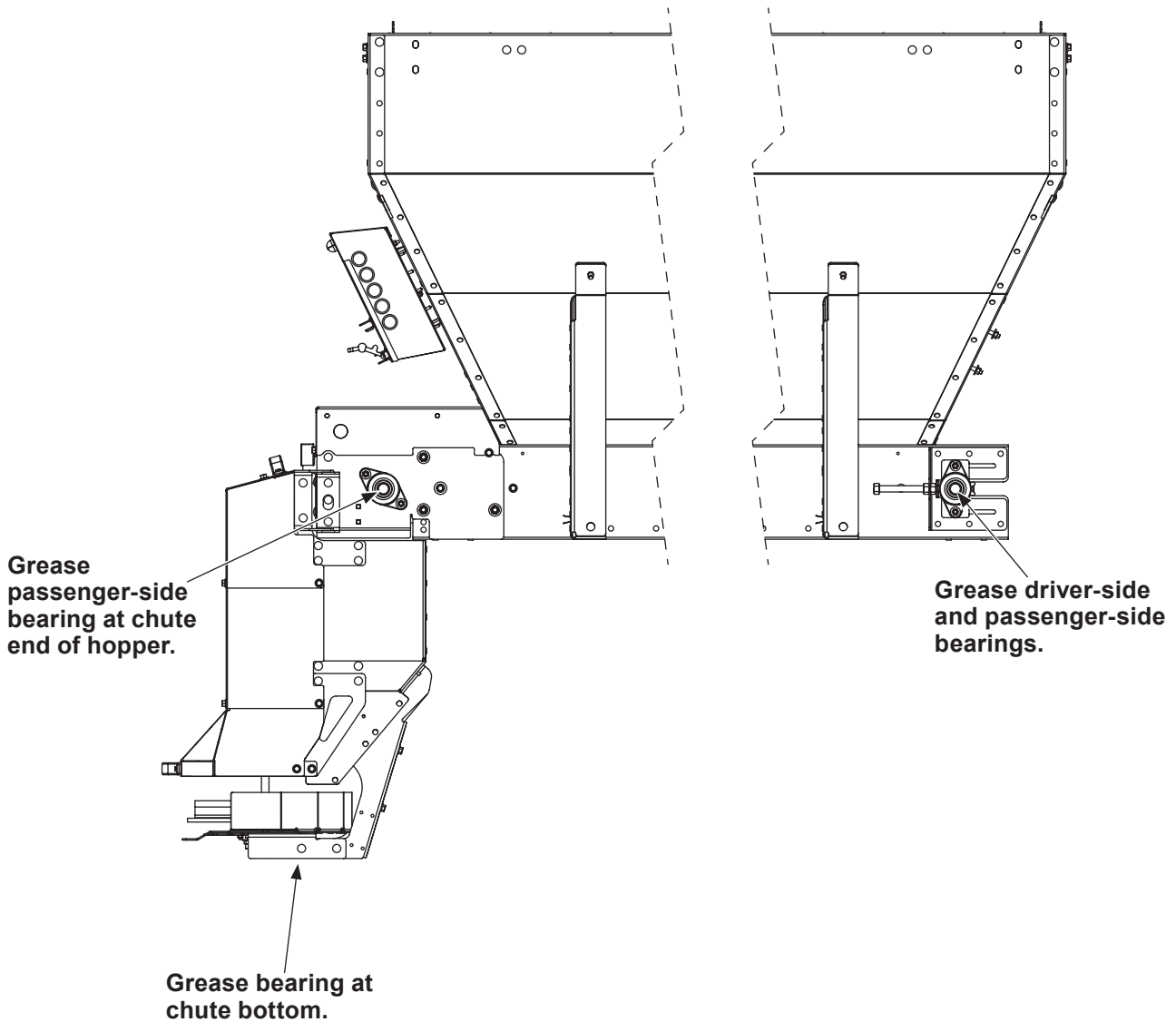
MAINTENANCE

⚠ CAUTION

Disconnect electric power at spreader electrical wiring harness connection and tag out if required before servicing or performing maintenance.

GREASE FITTINGS

To keep your spreader running smoothly, lubricate the grease fittings as shown after each use and at the end of each season.



MAINTENANCE

CONVEYOR PINTLE CHAIN TENSION

Periodically check the conveyor chain tension. This procedure is most easily performed when the spreader is outside of the vehicle.

To check the conveyor chain tension, see whether the chain is visible in the chain tension port. If the chain is too tight, it will be above the port; if too loose, it will be below the port.

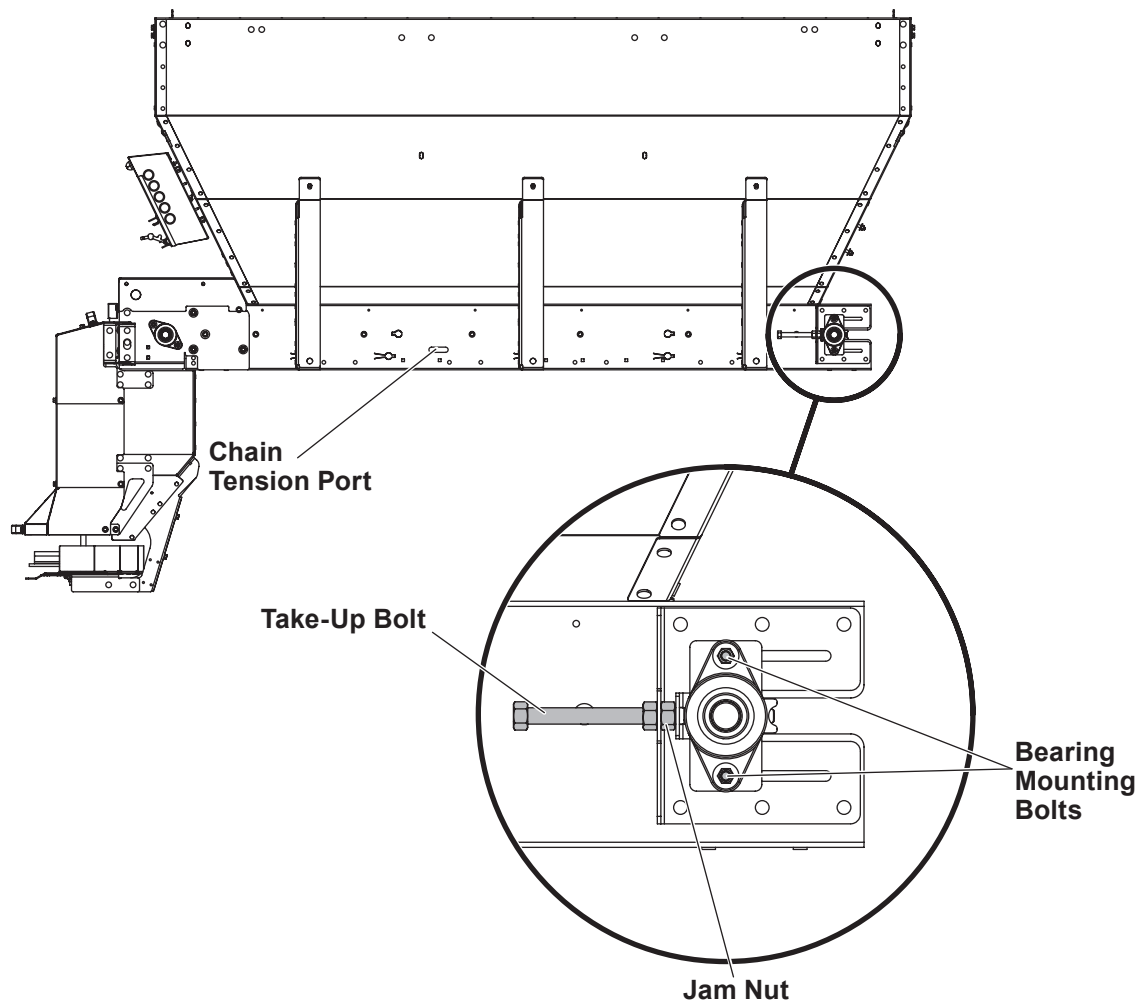
If Conveyor Chain Is Too Loose:

1. Loosen the two bearing mounting bolts on each side of the conveyor idle roller at the cab end of the hopper.

2. Loosen the jam nut on one of the idler take-up bolts. Tighten the take-up bolt by turning it clockwise while holding the jam nut. Repeat with the opposite take-up bolt, tightening equally on both passenger's side and driver's side until the chain is in the middle of the chain tension port.
3. Tighten the bearing mounting bolts to 30 ft-lb (40.7 N·m). Tighten the tensioner jam nuts.

If Conveyor Chain Is Too Tight:

1. Loosen the jam nuts on both sides. Back off the idler take-up bolt evenly on both sides. Then loosen the bearing mounting bolts on both sides.
2. Adjust the chain tension until the chain is visible in the chain tension port.
3. Tighten the jam nuts. Tighten the bearing mounting bolts to 30 ft-lb (40.7 N·m).



MAINTENANCE

REMOVING THE CHUTE

If the chute must be removed for repair or maintenance:

1. Unplug the chute motor plug from the hopper body (driver's side of the chute).
2. Remove and retain the chute attachment pins.
3. Remove the chute and set it on its side on the ground or work bench. Two people are recommended for this step, as the chute weighs more than 60 lb (27.2 kg).

An interlock prevents the feed system from running when the chute is removed.

AFTER EACH USE

⚠ CAUTION

DO NOT leave unused material in hopper. Material can freeze or solidify, causing unit to not work properly. Empty and clean after each use.

- Wash out the hopper and rinse off all external surfaces.
- Clean out any trapped/frozen material from between the hopper and the vehicle bed.
- Apply dielectric grease on all electrical connections to prevent corrosion.
- Lubricate all grease fittings with good-quality multipurpose grease.

MAINTENANCE

CAB CONTROL

Unplug the cab control from the control harness at the end of the season or when the hopper is removed from the vehicle.

STORAGE

The spreader can be stored in truck position on blocks or stands. Make sure the supports are stable and the ground beneath is firm enough that the spreader will not shift over time.

⚠ CAUTION

Before lifting, verify that the hopper is empty of material. The lifting device must be able to support the spreader's weight as shown in the spreader specifications table.

1. Remove the chute from the hopper body. Store the chute in a horizontal position. It may be placed inside or on top of the hopper if desired.
2. Remove the hopper mounting bolts and tie-downs.
3. Attach slings to the four corner lift points and, using a hoist, lift the hopper out of the vehicle. Move the spreader to the storage location with the hoist or lower it onto blocks and use a forklift to move it to a secure location.
4. The hopper body should be slightly tilted toward the chute end to prevent any rainwater from pooling in the hopper.
5. Use blocking to ensure that the spreader is stable.

MAINTENANCE

At the End of Each Season or After Extended Storage

NOTE: The 99067 gear box is lubricated for life and does not require oil changes.

- Wash out the hopper and rinse off all external surfaces.
- Apply dielectric grease on all electrical connections to prevent corrosion.
- Lubricate all grease fittings with good-quality multipurpose grease.
- Oil or paint any chipped or bare surfaces that are not stainless steel.

FUSE REPLACEMENT

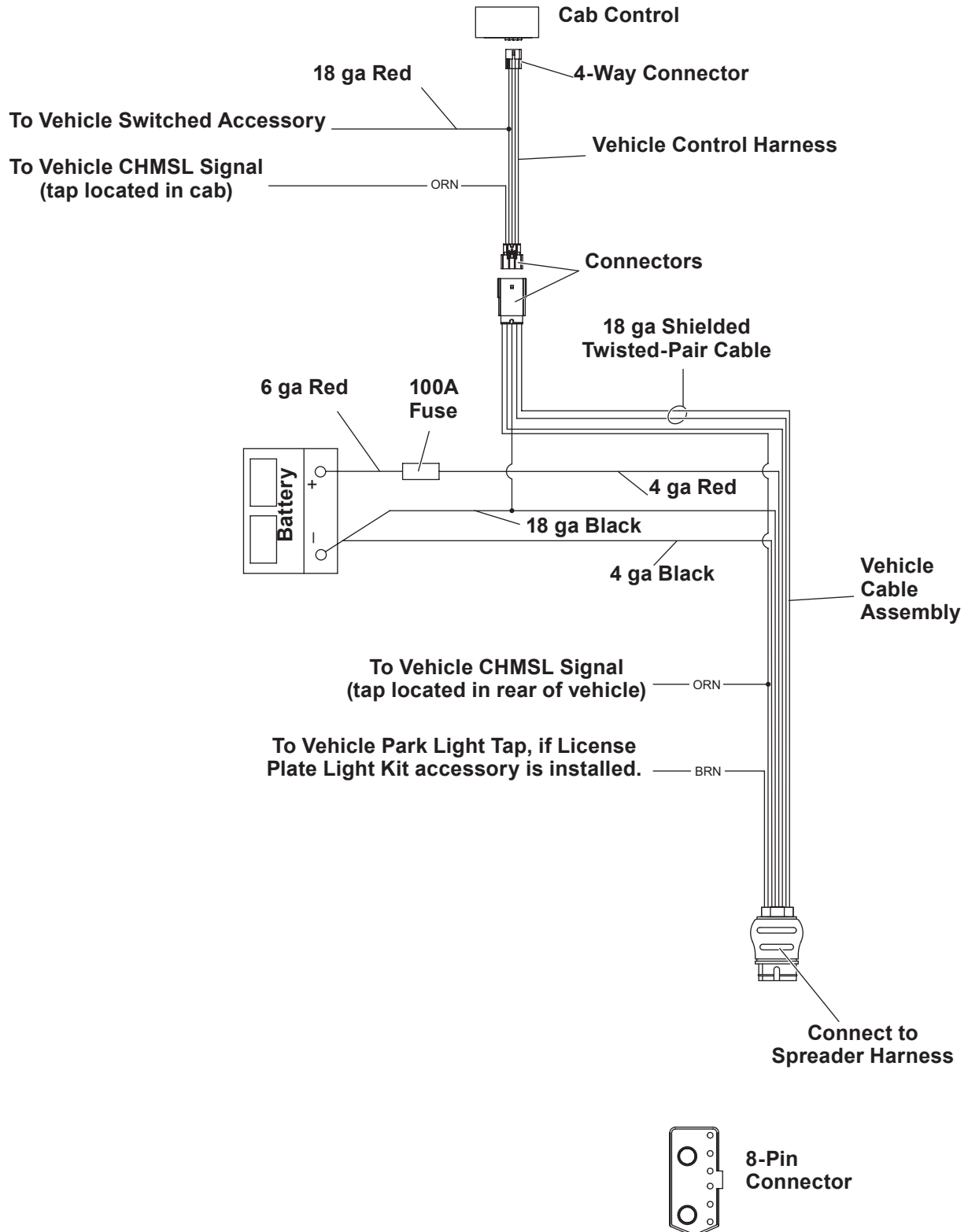
If a problem should occur and fuse replacement is necessary, the replacement fuse must be of the same type and amperage rating as the original. Installing a fuse with a higher rating can damage the system and could start a fire.

RECYCLE

When your spreader has performed its useful life, many of its components can be recycled as steel. Gear oil shall be disposed of according to local regulations.

ELECTRICAL COMPONENTS

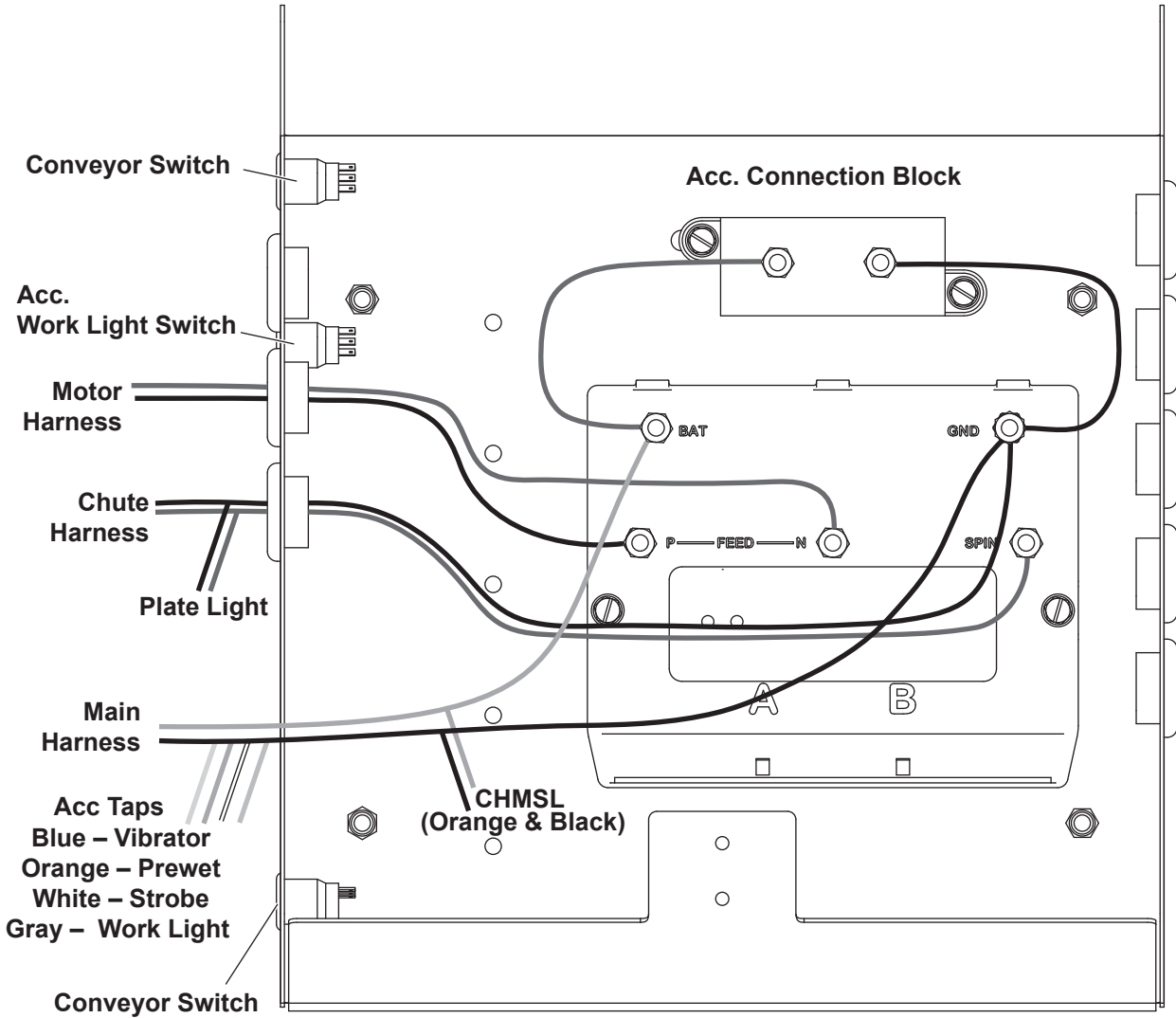
VEHICLE HARNESS DIAGRAM



ELECTRICAL COMPONENTS

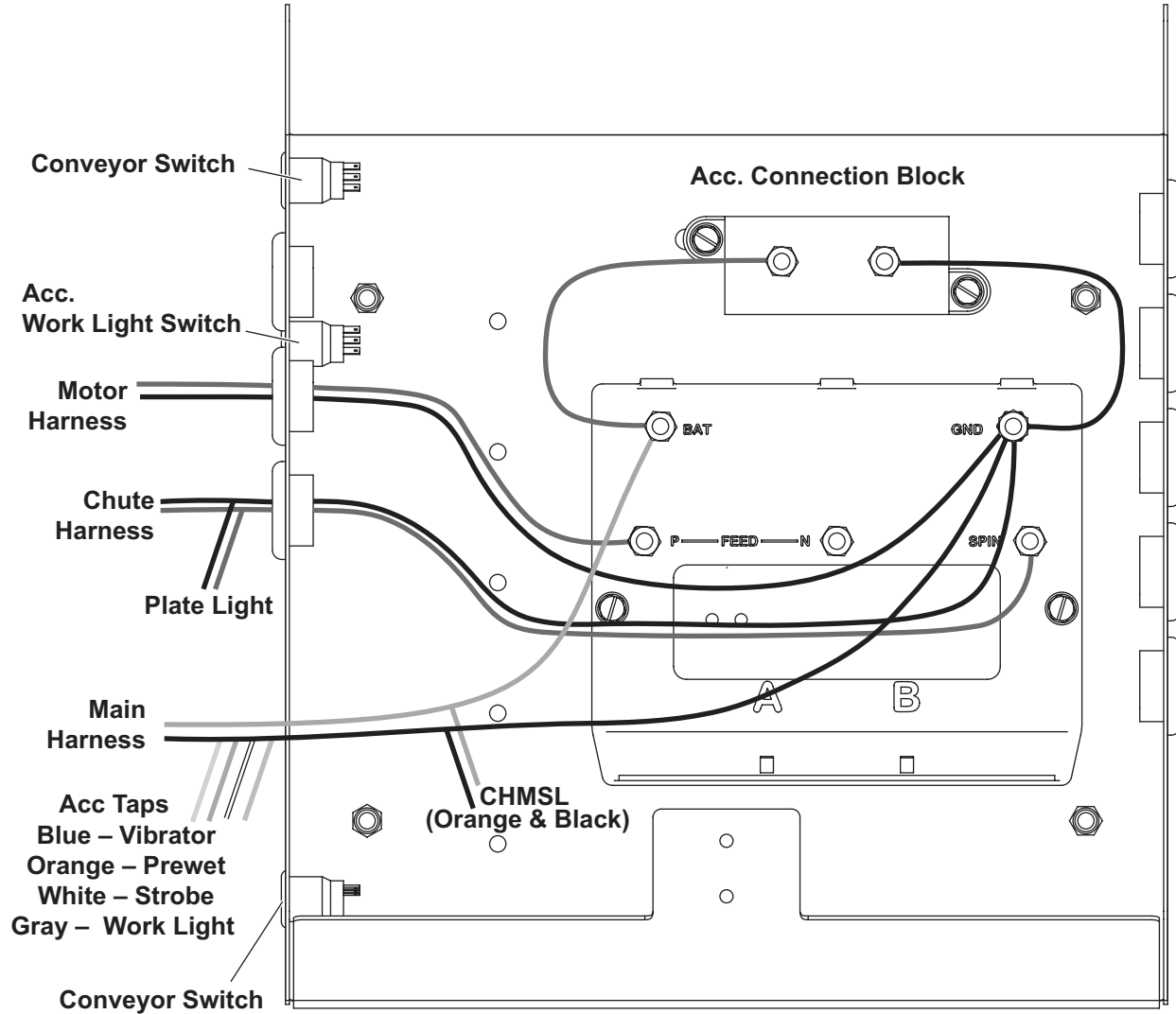
ELECTRICAL CONTROL BOX DIAGRAM

Auger Spreader



ELECTRICAL COMPONENTS

Chain Spreader



TROUBLESHOOTING GUIDE

Please see your distributor for service. The troubleshooting reference table below may guide you in diagnosing the issue.

For a reference table of the cab control error codes, see the "Operating the Spreader – Cab Control" section of this manual.

Before servicing the spreader:

- Review all safety information.
- Confirm that all electrical connections are tight and clean.
- Confirm that nothing is jammed in the hopper.

| Problem | Possible Cause | Suggested Solution |
|---|---|---|
| No power to cab control. Ignition and control switches ON; control knob indicator lights not illuminated. | 1. Control is in Standby mode. Spreader is not connected. | 1. Press any button on control to wake. |
| | 2. Control connector plug is loose. | 2. Check plug connection at cab control. |
| | 3. Switched accessory connection is poor or faulty battery. | 3a. Check for low battery. 3b. Check switched accessory connection. |
| | 4. Blown fuse. | 4. Replace spreader vehicle battery cable fuse. |
| | 5. Vehicle control harness is damaged. | 5. Repair or replace damaged wires or harness as required. |
| Turning control knobs does not change motor speed. | 1. Malfunctioning cab control. | 1. Replace cab control. |
| | 2. Malfunctioning spreader module. | 2. Replace spreader module. |
| Spreader does not operate. | 1. Overloaded condition is causing over-current protection to activate. | 1. Reset cab control by pressing the ON/OFF switch. |
| | 2. Wire harness is damaged or has an open circuit between cab control and spreader. | 2a. Check plug connections at cab control and spreader. 2b. Check wire connections at spreader motor and at vehicle battery: disconnect motor leads, turn Material Width and Material Flow knobs to maximum, and check for voltage at motor leads. 2c. Repair or replace damaged wires and connectors. 2d. Check the 100A in-line fuse on the 22" red cable. Replace if necessary. |

TROUBLESHOOTING GUIDE

| Problem | Possible Cause | Suggested Solution |
|---|--|--|
| Spinner does not turn. Motor is running. | Unplug the spreader harness and tag out, if required, before performing any of the following repairs. | |
| | 1. Obstruction is preventing rotation. | 1. Clear obstruction. |
| Conveyor chain not moving. Spinner is turning. | Unplug the spreader harness and tag out, if required, before performing any of the following repairs. | |
| | 1. Obstruction is preventing rotation. | 1. Clear obstruction. |
| | 2. Gear box is damaged. | 2. Replace gear box if output shaft does not turn when motor shaft turns. |
| | 3. Conveyor sprockets are not secured to shafts. | 3. Replace or tighten set screws. Replace shafts or sprockets if damaged. |
| | 4. Conveyor pintle chain is loose or damaged. Auger is damaged. | 4. Adjust pintle chain tension. Replace pintle chain if damaged. Replace auger if damaged. |
| | 5. Conveyor pintle chain is not aligned. | 5. Align pintle chain to ride centered on rollers. |
| | 6. Conveyor pintle chain shaft bearings are seized or otherwise damaged. | 6. Grease or replace bearings. |
| Material in hopper does not flow. Conveyor pintle chain and spinner are moving. | Unplug the spreader harness and tag out, if required, before performing any of the following repairs. | |
| | 1. Obstruction in hopper. | 1. Clear obstruction. |
| | 2. Material bridged. | 2. Clear the bridged material. |



Fisher Engineering
50 Gordon Drive
Rockland, ME 04841-2139
www.fisherplows.com

A DIVISION OF FISHER, LLC



This product conforms to EU Machinery Directive 2006/42/EC and Directive 2011/65/EC (RoHS2).



This product conforms to UK Supply of Machinery (Safety) Regulations 2008 and 2012 (RoHS2).

Copyright © 2023 Douglas Dynamics, LLC. All rights reserved. This material may not be reproduced or copied, in whole or in part, in any printed, mechanical, electronic, film, or other distribution and storage media, without the written consent of Fisher Engineering. Authorization to photocopy items for internal or personal use by Fisher Engineering outlets or spreader owner is granted.

Fisher Engineering reserves the right under its product improvement policy to change construction or design details and furnish equipment when so altered without reference to illustrations or specifications used. Fisher Engineering or the vehicle manufacturer may require or recommend optional equipment for spreaders. Do not exceed vehicle ratings with a spreader. This product is manufactured under the following US patents: 7,400,058; 7,481,384; 9,296,571; and other patents pending. Fisher Engineering offers a limited warranty for all spreaders and accessories. See separately printed page for this important information. The following are registered (®) or unregistered (™) trademarks of Douglas Dynamics, LLC: FISHER®, TEMPEST™.

Printed in U.S.A.