



ASSEMBLY GUIDE



PLEASE READ AND FOLLOW ALL ASSEMBLY INSTRUCTIONS, SAFETY INFORMATION, AND OPERATING INSTRUCTIONS OF YOUR OWNER'S MANUAL BEFORE INITIAL START UP.



GRILL PARTS LIST



PART	DESCRIPTION	PART	DESCRIPTION
1	Grill Lid Handle	9	Grill Grates
2	Chimney	10	Grease Tray
3	Grill Body	11	Heat Shield
4	Collapsible Front Shelf	12	Heat Shield Adjustment Handle
5	Front Shelf Mount Brackets	13	Grease Bucket
6	Locking Caster Wheel Legs	14	Side Shelf
7	Bottom Storage Shelf	15	Hopper Safety Guard
8	All-Terrain Wheel Legs	16	Food Probes



POWER COMPONENTS



HARDWARE



ASSEMBLY

PLEASE READ AND FOLLOW ALL INSTRUCTIONS CAREFULLY

UNBOXING & LEG INSTALLATION

HARDWARE

IMPORTANT! The grill is very heavy. Always use 2 people when lifting the grill.



1 UNBOXING

Open and remove top styrofoam and front shelf.

2 UNBOXING

Remove internal grill parts and set aside. Reference parts list.

3 UNBOXING & FLIP

Replace stop styrofoam. Close top and flip upside down.

4 UNBOXING

Remove bottom styrofoam.

5 CASTER LEGS

x2 per leg

6 ALL-TERRAIN WHEELS

x2 per leg

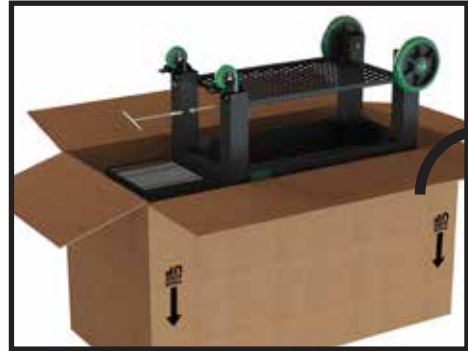
UNBOXING & BOTTOM SHELF

IMPORTANT! The grill is very heavy. Always use 2 people when lifting the grill.

HARDWARE

12mm 

7 BOTTOM SHELF

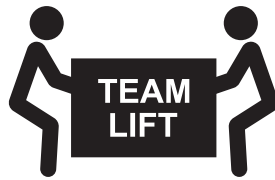


 x4

8 REMOVE BOX & FLIP



Break down box walls and set aside. Carefully lift and flip right side up.



LID HANDLE

IMPORTANT! Keep 2 spacers on each side of the grill lid to minimize heat transfer to the handle.

HARDWARE

12mm 

9 REMOVE HANDLE



Unscrew handle from inside grill lid.

10 INSTALL HANDLE



Flip hand around to the front and fasten to lid as shown here.

FRONT & SIDE SHELVING

NOTE: Front shelf mount brackets attach in the same holes used for the front legs.

HARDWARE

10mm 

11 MOUNT BRACKETS



Install brackets in leg holes.  x4

12 FRONT SHELF



Attach front shelf hinges to brackets.  x4

13 SIDE SHELF



Line up the bullets with the pins on side wall and clip shelf into support bar.

CHIMNEY

IMPORTANT! Make sure the chimney cap ALWAYS stays open.

HARDWARE

10mm 

14 REMOVE BOLTS

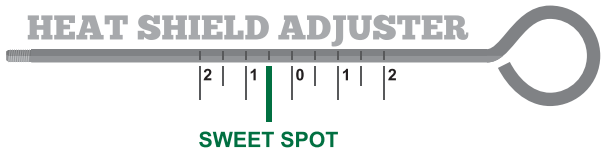


15 INSTALL CHIMNEY



HEAT SHIELD

IMPORTANT! For proper heat shield positioning, use the marks on the adjuster handle. The grill wall should align with the -.5 mark on the handle, setting the heat shield 9.25 in. from the left inside grill wall.



16 HEAT SHIELD



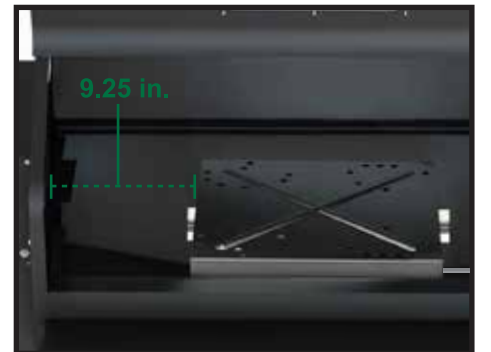
Insert heat shield onto stainless steel slider mount brackets.

17 HEAT SHIELD ADJUSTER



Insert adjuster handle into hole on right side of grill wall and screw into head shield.

18 HEAT SHIELD POSITIONING

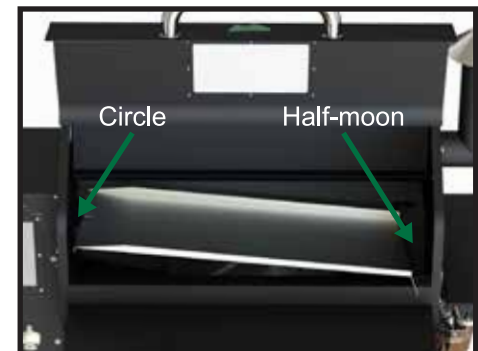


Recommended position for even heat distribution: 9.25 in. from left wall.

GREASE TRAY, GRATES, & GREASE BUCKET

IMPORTANT! Make sure to insert grease tray as shown below for proper temperature reading and grease drainage.

19 GREASE TRAY



Follow grease tray cut-outs as shown.

20 GRILL GRATES



Insert grates as shown.

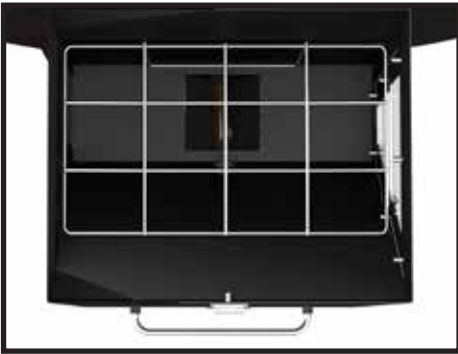
21 GREASE BUCKET



Hang bucket on drip spout.

HOPPER GUARD

22 INSERT HOPPER GUARD



Open lid and install safety guard.

ANTENNA

23 INSTALL ANTENNA



Screw antenna onto control board.

✔ YOUR GRILL IS READY!

PLEASE READ THE SAFETY INFORMATION AND OPERATING INSTRUCTIONS IN YOUR MANUAL BEFORE INITIAL START UP



▶ VIDEO INSTRUCTION

For video tutorials and general operating tips check out our resources:

NEW GRILL OWNERS
greenmountaingrills.com/new-grill-owners/

GMG SUPPORT
greenmountaingrills.com/support/