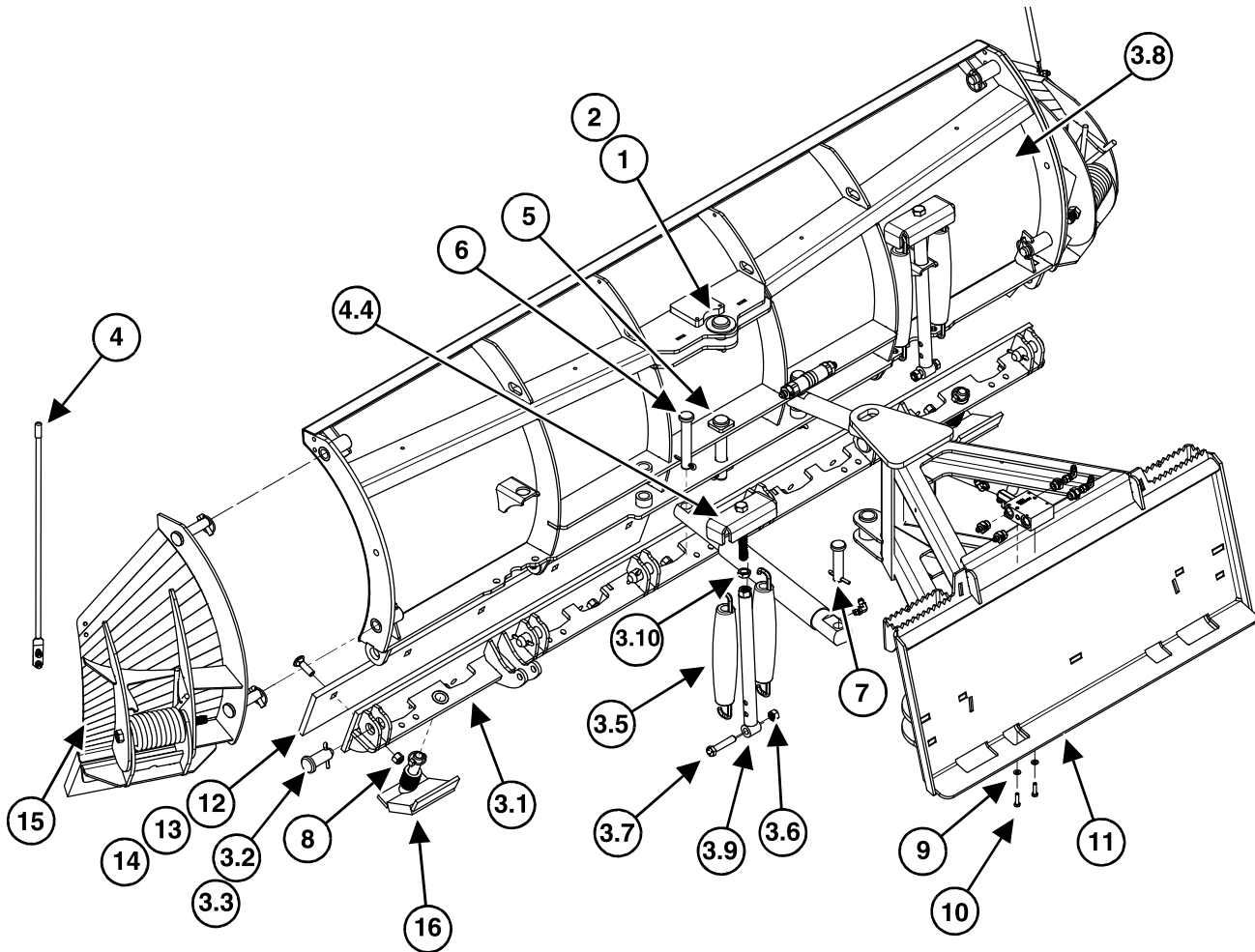


Models Ultra 72, Ultra 84, Ultra 96

Parts



ITEM	PART #	DESCRIPTION	ULTRA-72 QTY	ULTRA-84 QTY	ULTRA-96 QTY
1	P40006	PIN, UPPER PIVOT/TRIP EDGE 1-3/16" x 3"	1	1	1
2	P40007	PIN, COTTER, 1/4" x 2", ZINC	6	6	6
3	P40072	BLADE ASSEMBLY, FOR ULTRA-72 SNOWPLOW	1	-	-
	P40084	BLADE ASSEMBLY, FOR ULTRA-84 SNOWPLOW	-	1	-
	P40096	BLADE ASSEMBLY, FOR ULTRA-96 SNOWPLOW	-	-	1
3.1	P40002A-3	ULTRA PLOW TRIP EDGE WELDMENT 6FT	1	-	-
	P40002-L	ULTRA PLOW TRIP EDGE WELDMENT 7FT	-	1	-
	P40002-M	ULTRA PLOW TRIP EDGE WELDMENT 8FT	-	-	1
3.2	P40006	PIN, UPPER PIVOT/TRIP EDGE 1-3/16" x 3"	6	6	6

ITEM	PART #	DESCRIPTION	ULTRA-72 QTY	ULTRA-84 QTY	ULTRA-96 QTY
3.3	P40007	PIN, COTTER, 1/4" x 2", ZINC	6	6	6
3.4	P40009-B	SPRING ADJUSTMENT ASM	2	2	2
3.5	P40010B	SPRING, TRIP, 6'-10' NEW STYLE ULTRAPLOW (15" LONG)	4	4	4
3.6	P40012	NUT, LOCK, 5/8-11, ZINC, GRADE C	2	2	2
3.7	P40013	BOLT, HEX, 5/8-11 x 3", ZINC, GRADE 8	2	2	2
3.8	P40014	BLADE WELDMENT ONLY, ULTRA-72 (NO SPRINGS OR TRIP EDGE)	1	1	1
	P40015	BLADE WELDMENT ONLY, ULTRA-84 (NO SPRINGS OR TRIP EDGE)	1	1	1
	P40016	BLADE WELDMENT ONLY, ULTRA-96 (NO SPRINGS OR TRIP EDGE)	1	1	1
3.9	P40026	SPRING ADJUSTMENT ROD ASM	2	2	2
3.10	P60242	NUT, JAM, 3/4-10, ZINC, GRADE 8	2	2	2
4	P50001	BLADE MARKER GUIDE SET	1	1	1
5	P50003	PIN, LOWER PIVOT 1-1/8" x 6-3/4"	1	1	1
6	P50004	PIN, RAM ANCHOR (BLADE END) ULTRAPLOW 1" x 6"	2	2	2
7	P50005	PIN, RAM ANCHOR (FRAME END) ULTRAPLOW 1" x 4"	2	2	2
8	P60030	NUT, HEX, NYLOCK, 5/8-11, ZINC	8	-	-
		NUT, HEX, NYLOCK, 5/8-11, ZINC	-	9	-
		NUT, HEX, NYLOCK, 5/8-11, ZINC	-	-	10
*9	P60092	WASHER, FLAT, 5/16" SAE	2	2	2
*10	P60214	BOLT, HEX, 5/16-18 x 1-1/4", ZINC, GRADE 5	2	2	2

* Parts not used if crossover relief valve option is not installed on the UltraPlow 72 & 84. See No Crossover Relief parts on page 47.

For items 10 or above: See "Options" on page 40.

For hydraulic hoses: See "Hoses" on page 42.

Options

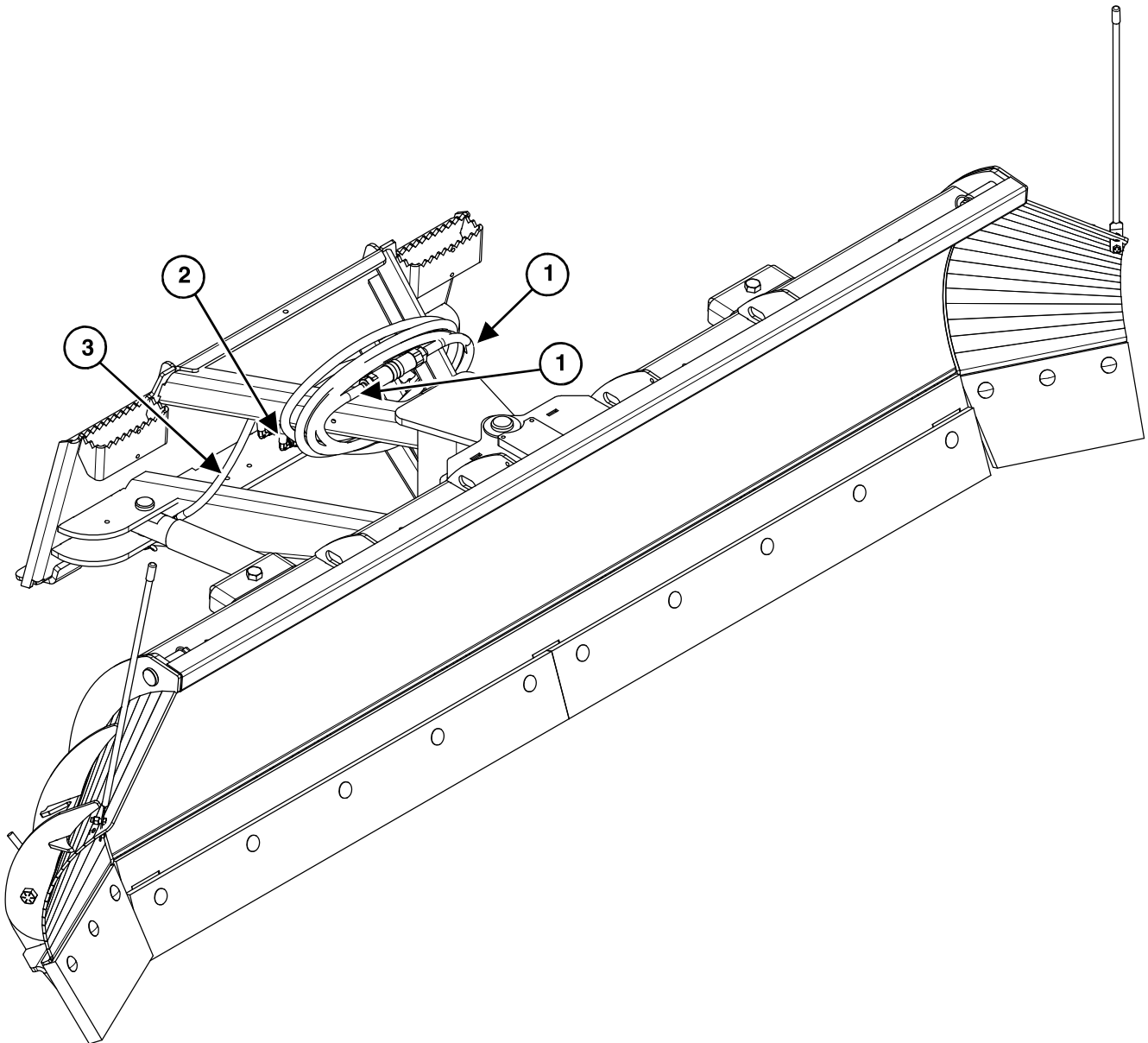
ITEM	PART #	DESCRIPTION	ULTRA-72 QTY	ULTRA-84 QTY	ULTRA-96 QTY
	FRAME				
NS	P50020	FLEX FRAME, ASSEMBLY, See Page 59	1	1	1
NS	P50031	3 POINT FRAME	1	1	1
11	P60000-1	ULTRA A-FRAME	1	1	1
	MAIN EDGE - (See Trip Edges on page 58)				
	Steel Options				
12	P50011-A	CENTER PUNCH CUTTING EDGE KIT, 6', WITH HARDWARE (GEN 1, 2 OR 3 TRIP EDGE)	1	0	0
	P50011-C	CENTER PUNCH CUTTING EDGE KIT, 7', WITH HARDWARE (GEN 1, 2 OR 3 TRIP EDGE)	0	1	0
	P50011-E	CENTER PUNCH CUTTING EDGE KIT, 8', WITH HARDWARE (GEN 1, 2 OR 3 TRIP EDGE)	0	0	1
13	P50011-K	TOP PUNCH CUTTING EDGE KIT, 6', WITH HARDWARE (GEN 4 OR 5 TRIP EDGE)	1	0	0
	P50011-L	TOP PUNCH CUTTING EDGE KIT, 7', WITH HARDWARE (GEN 4 OR 5 TRIP EDGE)	0	1	0
	P50011-M	TOP PUNCH CUTTING EDGE KIT, 8', WITH HARDWARE (GEN 4 OR 5 TRIP EDGE)	0	0	1
	SoftTouch Options - (Works with any Trip Edge)				
14	P50012-A1	6' SOFTTOUCH CUTTING EDGE KIT WITH HARDWARE	1	0	0
	P50012-C1	7' SOFTTOUCH CUTTING EDGE KIT WITH HARDWARE	0	1	0
	P50012-E1	8' SOFTTOUCH CUTTING EDGE KIT WITH HARDWARE	0	0	1
	ActivEdge, AR400		1	0	0
NS	P50011-L-REK	7' ActivEdge CUTTING KIT WITH HARDWARE	0	1	0
NS	P50011-M-REK	8' ActivEdge CUTTING KIT WITH HARDWARE	0	0	1
	CARBIDE ActivEdge, AR400 WITH CARBIDE				
NS	P50014-L-REK	7' ActivEdge CUTTING KIT WITH HARDWARE	0	1	0
NS	P50014-M-REK	8' ActivEdge CUTTING KIT WITH HARDWARE	0	0	1
	WING OPTIONS				
NS	60003	WOLFWING SIDE WING KIT	1	1	1
15	60003-TE	TRIP-EDGE WOLFWING SIDE WING KIT	1	1	1
	FASTTACH				
NS	50025	FASTTACH™ QUICK RELEASE	1	1	1



ITEM	PART #	DESCRIPTION	ULTRA-72 QTY	ULTRA-84 QTY	ULTRA-96 QTY
	WEAR SHOE				
16	P40003-K	WELDMENT, WEAR SHOE, W/SPACERS & KLIK PINS	1	1	1
NS	P50013-1	CURB GUARD LEFT & RIGHT, See Page 68	1	1	1
	SPILL GUARD (OPTION)				
NS	P60245	SPILL GUARD 7'	0	1	0
NS	P60246	SPILL GUARD 8'	0	0	1

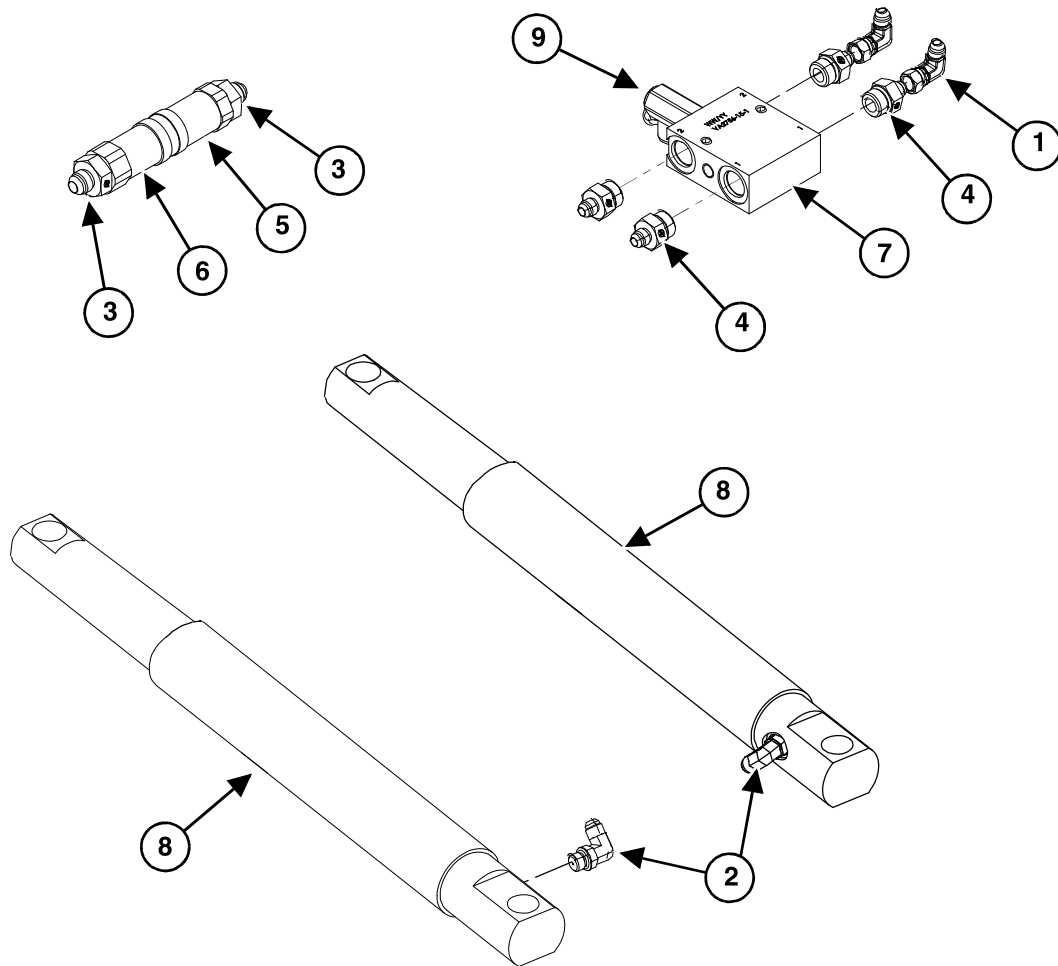
Hydraulics, Ultra 72, Ultra 84, Ultra 96

Hoses



ITEM	PART #	DESCRIPTION	QTY
1	P50008	HOSE, 3/8" x 78", 3000 PSI, 6FJIC-8FJIC	2
2	P50008-E	HOSE, 3/8" x 18", 3000 PSI, 6FJIC-6FJIC	1
3	P60082	HOSE, 3/8" x 38", 3000 PSI, 6FJIC-6FJIC	1

Hydraulic Components



ITEM	PART #	DESCRIPTION	QTY
*1	P25063	FITTING,SWIVEL, 90DEG, #6 FJICX-#6 MJIC,(6500-06-06)	2
2	P50007	FITTING, ELBOW, 6MJIC - 6MORB (6801R-06-06-.07) (RESTRICTED)	2
3	P50009-A	FITTING, #8 MJIC X #12 MORB	2
*4	P50009-B	FITTING,#6 MJIC-#10 MORB	4
5	P50010F	COUPLER,1/2" FEMALE FLAT FACE 1/2" BODY x 3/4" SAE PORT	1
6	P50010M	COUPLER, 1/2" MALE FLAT FACE 1/2" BODY x 3/4" SAE PORT	1
*7	P60002	RELIEF VALVE, CROSSOVER, NO HOSES	1
8	P50006-B	ANGLE CYLINDER, 2" ROD, ULTRAMAX, ULTRAPLOW	2
9	P30029	Crossover Relief, 2500 PSI	1

* Parts not used if crossover relief valve option is not installed on the UltraPlow 72 & 84. See No Crossover Relief parts on page 44.

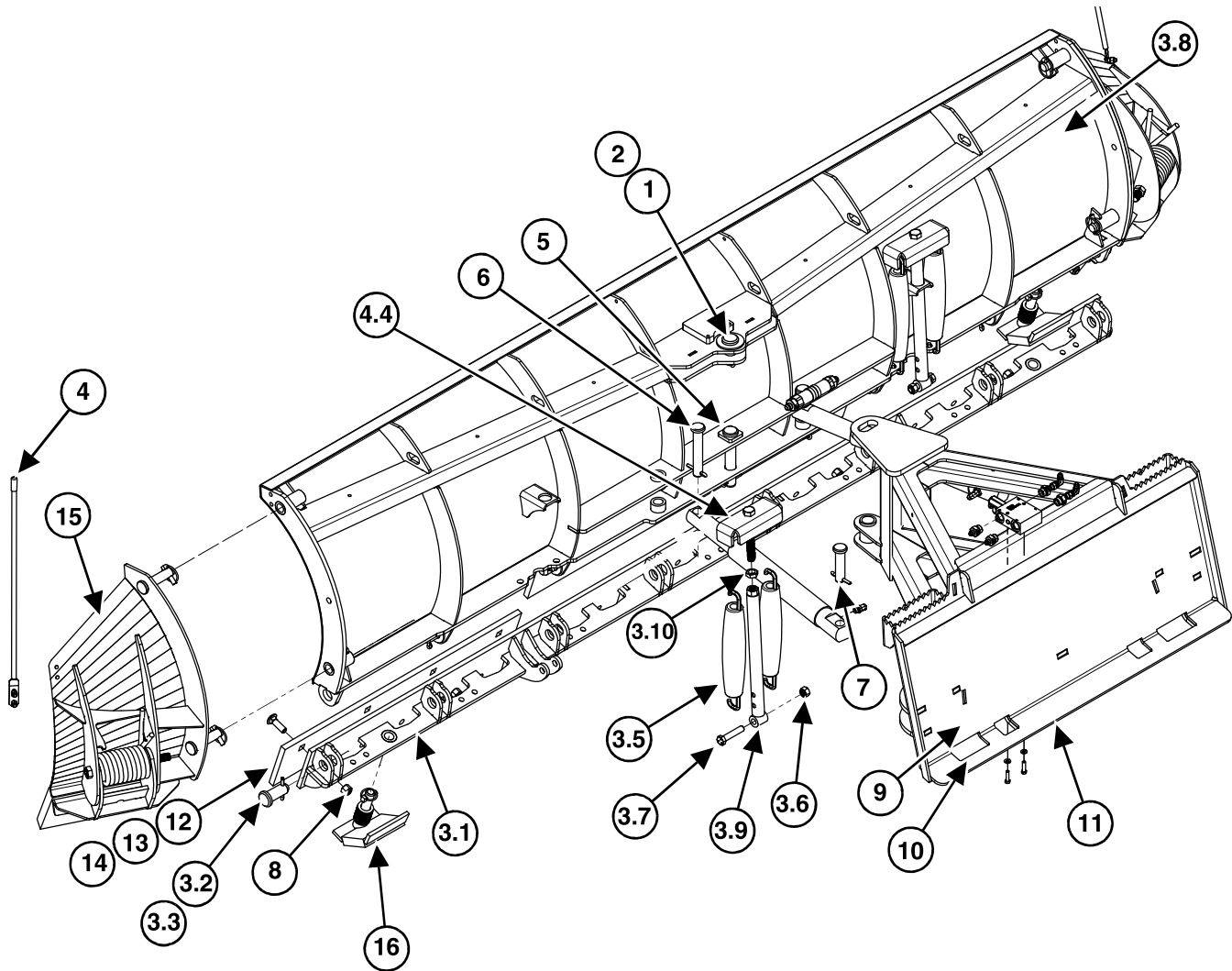
No Crossover Relief, (Ultra 72, 84 Models Only)

ITEM	PART #	DESCRIPTION	ULTRA-72 QTY	ULTRA-84 QTY
	NO CROSSOVER RELIEF			
NS	P60159	HOSE CLAMP	1	1
NS	P60160	PLATE, HOSE CLAMP	1	1
NS	P50008	HOSE, 3/8" x 78", 3000 PSI, 6FJIC-8FJIC	1	1
NS	P50008-D	HOSE, 3/8" x 94", 3000 PSI, 6FJIC-8FJIC	1	1
NS	P60090	NUT, HEX, NYLOCK, 5/16"-18	1	1
NS	P60215	BOLT, HEX, 5/16" x 2", ZINC GRADE 5	1	1

This page left intentionally blank

Models Ultra 108, Ultra 120, Ultra 132

Parts



ITEM	PART #	DESCRIPTION	ULTRA-108 QTY	ULTRA-120 QTY	ULTRA-132 QTY
1	P40006	PIN, UPPER PIVOT/TRIP EDGE 1-3/16" x 3"	1	1	1
2	P40007	PIN, COTTER, 1/4" x 2", ZINC	1	1	1
3	P40108	BLADE ASSEMBLY, FOR ULTRA-108 SNOWPLOW	1	-	-
	P40120	BLADE ASSEMBLY, FOR ULTRA-120 SNOWPLOW	-	1	-
	P40132	BLADE ASSEMBLY, FOR ULTRA-132 SNOWPLOW	-	-	1
3.1	P40002-N	ULTRA PLOW TRIP EDGE WELDMENT 9FT	1	-	-
	P40002-O	ULTRA PLOW TRIP EDGE WELDMENT 10FT	-	1	-
	P40002-P	ULTRA PLOW TRIP EDGE WELDMENT 11FT	-	-	1

ITEM	PART #	DESCRIPTION	ULTRA-108 QTY	ULTRA-120 QTY	ULTRA-132 QTY
3.2	P40006	PIN, UPPER PIVOT/TRIP EDGE 1-3/16" x 3"	6	8	8
3.3	P40007	PIN, COTTER, 1/4" x 2", ZINC	6	8	8
3.4	P40009-B	SPRING ADJUSTMENT ASM	2	2	2
3.5	P40010B	SPRING, TRIP, 6'-10' NEW STYLE ULTRAPLOW (15" LONG)	4	4	4
3.6	P40012	NUT, LOCK, 5/8-11, ZINC, GRADE C	2	2	2
3.7	P40013	BOLT, HEX, 5/8-11 x 3", YELLOW ZINC, GRADE 8	2	2	2
3.8	P40017	BLADE WELDMENT ONLY, ULTRA-109 (NO SPRINGS OR TRIP EDGE)	1	-	-
	P40018	BLADE WELDMENT ONLY, ULTRA-120 (NO SPRINGS OR TRIP EDGE)	-	1	-
	P40019	BLADE WELDMENT ONLY, ULTRA-120 (NO SPRINGS OR TRIP EDGE)	-	-	1
3.9	P40026	SPRING ADJUSTMENT ROD ASM	2	2	2
3.10	P60242	NUT, JAM, 3/4-10, ZINC, GRADE 8	2	2	2
4	P50001	BLADE MARKER GUIDE SET	1	1	1
5	P50003	PIN, LOWER PIVOT 1-1/8" x 6-3/4"	1	1	1
6	P50004	PIN, RAM ANCHOR (BLADE END) ULTRAPLOW 1" x 6"	2	2	2
7	P50005	PIN, RAM ANCHOR (FRAME END) ULTRAPLOW 1" x 4"	2	2	2
8	P60030	NUT, HEX, NYLOCK, 5/8-11, ZINC	12	13	14
9	P60092	WASHER, FLAT, 5/16" SAE	2	2	2
10	P60214	BOLT, HEX, 5/16-18 x 1-1/4", ZINC, GRADE 5	2	2	2

For items 10 or above: See "Options" on page 48.

For hydraulic hoses: See "Hoses" on page 50.

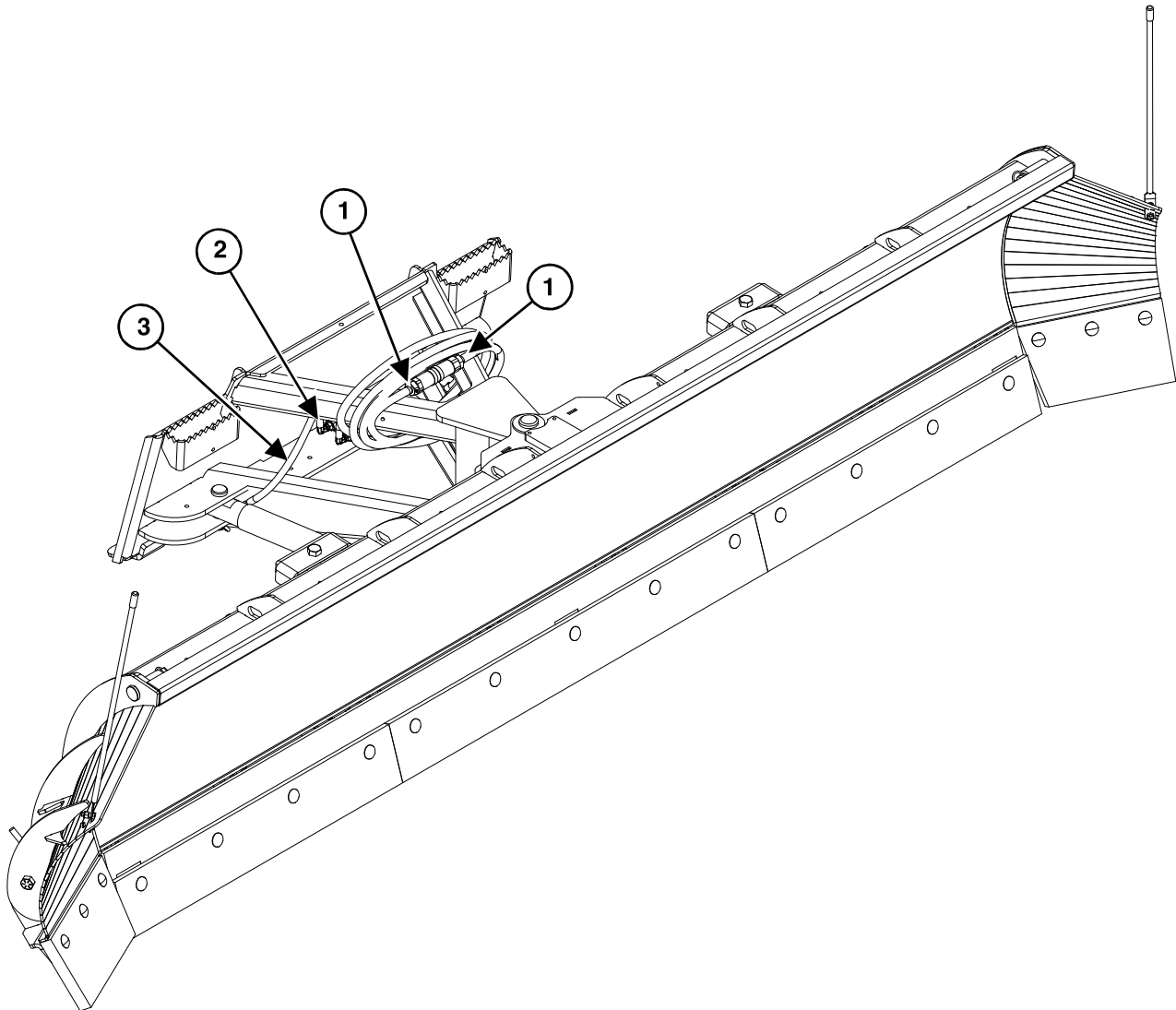
Options

ITEM	PART #	DESCRIPTION	ULTRA-108 QTY	ULTRA-120 QTY	ULTRA-132 QTY
FRAME					
NS	P50020	FLEX FRAME, ASSEMBLY, See Page 59	1	1	1
NS	P50031	3 POINT FRAME	1	1	1
11	P60000-1	ULTRA A-FRAME	1	1	1
MAIN EDGE Steel Options See Trip Edges on page 58.					
12	P50011-G	CENTER PUNCH CUTTING EDGE KIT, 9', WITH HARDWARE (GEN 1, 2 OR 3 TRIP EDGE)	1	0	0
	P50011-H	CENTER PUNCH CUTTING EDGE KIT, 10', WITH HARDWARE(GEN 1, 2 OR 3 TRIP EDGE)	0	1	0
	P50011-I	CENTER PUNCH CUTTING EDGE KIT, 11', WITH HARDWARE(GEN 1, 2 OR 3 TRIP EDGE)	0	0	1
13	P50011-N	TOP PUNCH CUTTING EDGE KIT, 9', WITH HARDWARE (GEN 4 OR 5 TRIP EDGE)	1	0	0
	P50011-O	TOP PUNCH CUTTING EDGE KIT, 10', WITH HARDWARE(GEN 4 OR 5 TRIP EDGE)	0	1	0
	P50011-P	TOP PUNCH CUTTING EDGE KIT, 11', WITH HARDWARE (GEN 4 OR 5 TRIP EDGE)	0	0	1
ActivEdge, AR400					
NS	P50011-N-REK	9' ActivEdge KIT WITH HARDWARE	1	0	0
NS	P50011-O-REK	10' ActivEdge KIT WITH HARDWARE	0	1	0
NS	P50011-I-REK	11' ActivEdge KIT WITH HARDWARE	0	0	1
CARBIDE ActivEdge, AR400 WITH CARBIDE					
NS	P50014-N-REK	9' ActivEdge KIT WITH HARDWARE	1	0	0
NS	P50014-O-REK	10' ActivEdge KIT WITH HARDWARE	0	1	0
NS	P50014-I-REK	11' ActivEdge KIT WITH HARDWARE	0	0	1
SPILL GUARD (OPTION)					
NS	P60247	SPILL GUARD 9'	1	0	0
NS	P60248	SPILL GUARD 10'	0	1	0
NS	P60249	SPILL GUARD 11'	0	0	1
SoftTouch Options (Works with any Trip Edge)					
14	P50012-G1	9' SOFTTOUCH CUTTING EDGE KIT WITH HARDWARE	1	0	0
	P50012-H1	10' SOFTTOUCH CUTTING EDGE KIT WITH HARDWARE	0	1	0
	P50012-I1	11' SOFTTOUCH CUTTING EDGE KIT WITH HARDWARE	0	0	1
WING OPTIONS					
NS	60003	WOLFWING SIDE WING KIT	1	1	1
15	60003-TE	TRIP-EDGE WOLFWING SIDE WING KIT	1	1	1

ITEM	PART #	DESCRIPTION	ULTRA-108 QTY	ULTRA-120 QTY	ULTRA-132 QTY
	FASTTACH				
NS	50025	FASTTACH™ QUICK RELEASE	1	1	1
	WEAR SHOE				
16	P40003-K	WELDMENT, WEAR SHOE, W/SPACERS & KLIK PINS	1	1	1
NS	P50013-1	CURB GUARD LEFT & RIGHT, See Page 68	1	1	1

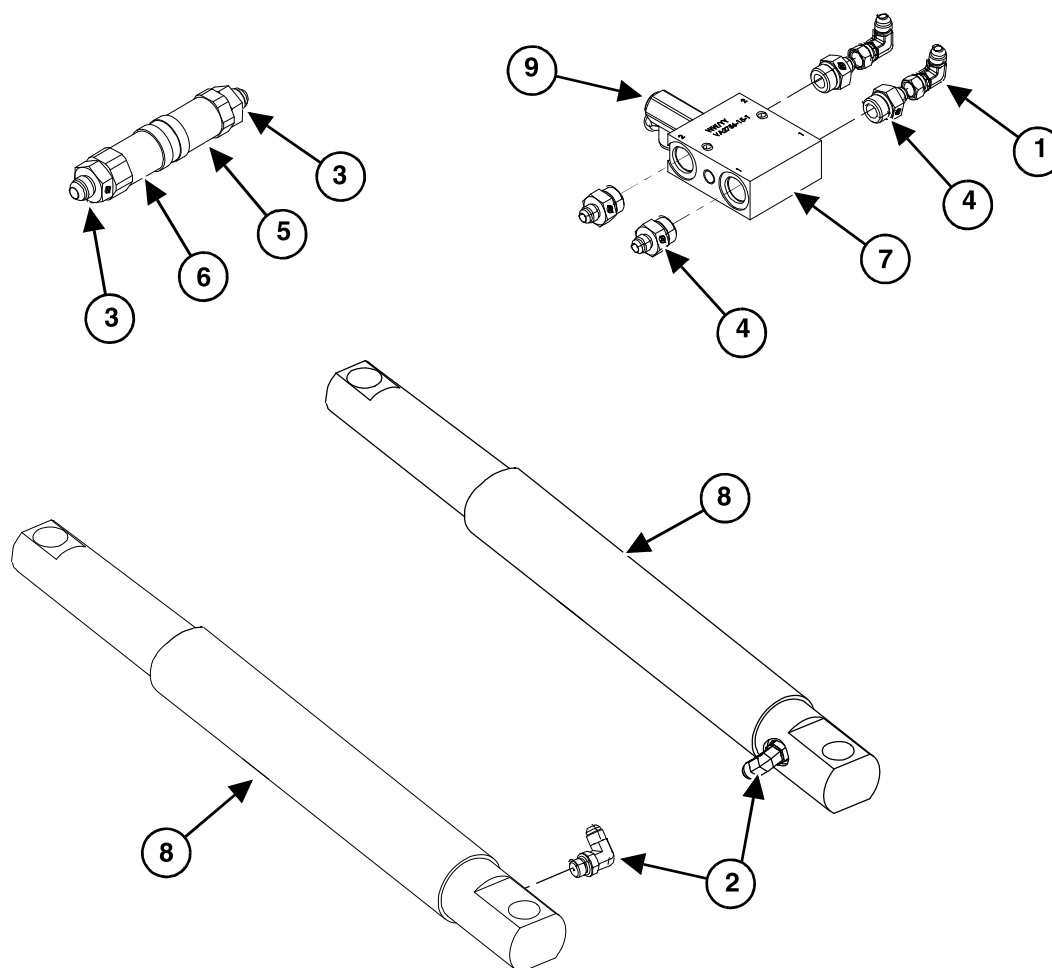
Hydraulics, Ultra 108, 120, 132

Hoses



ITEM	PART #	DESCRIPTION	QTY
1	P50008	HOSE, 3/8" x 78", 3000 PSI, 6FJIC-8FJIC	2
2	P50008-E	HOSE, 3/8" x 18", 3000 PSI, 6FJIC-6FJIC	1
3	P60082	HOSE, 3/8" x 38", 3000 PSI, 6FJIC-6FJIC	1

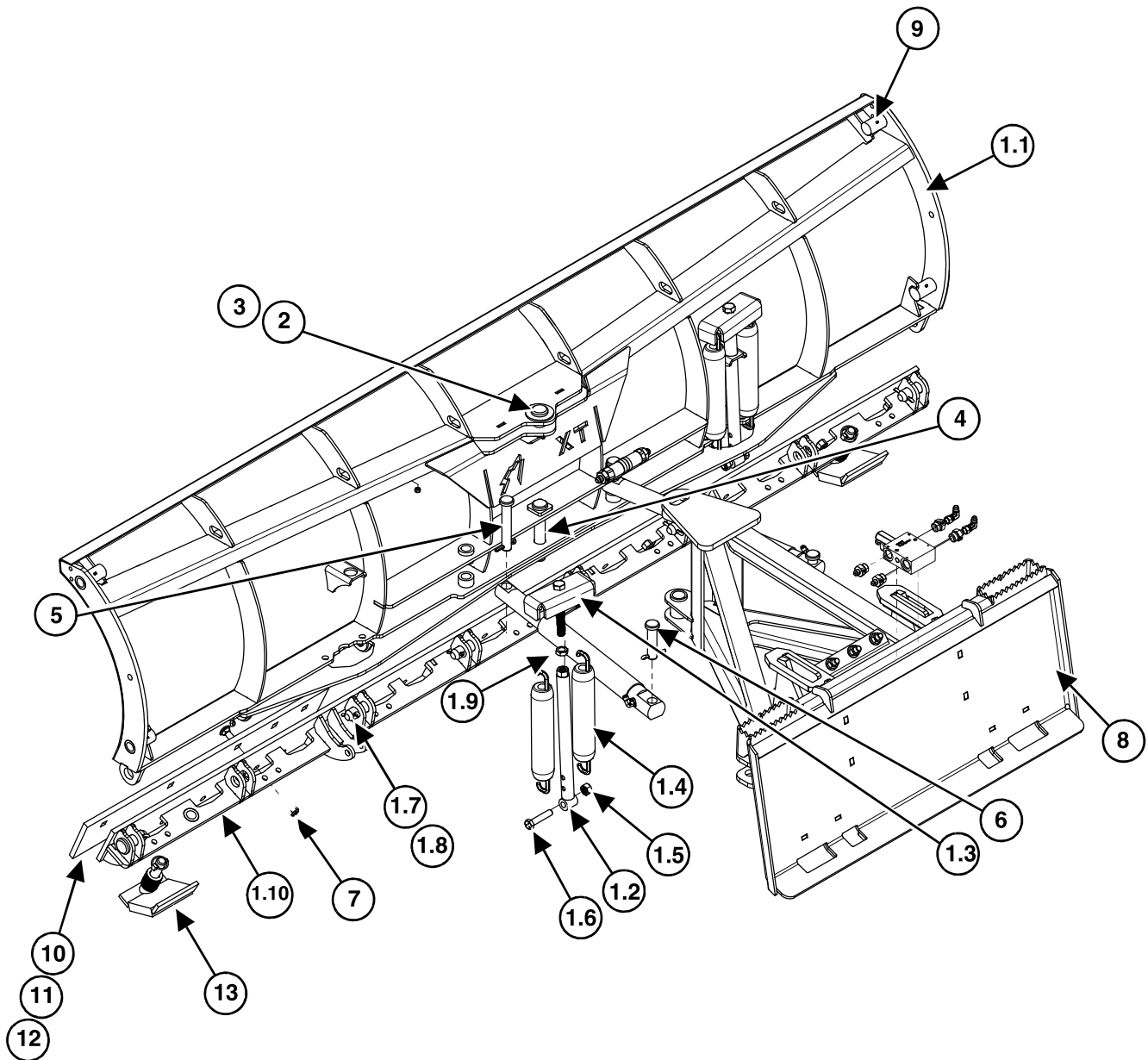
Hydraulic Components



ITEM	PART #	DESCRIPTION	QTY
*1	P25063	FITTING,SWIVEL, 90DEG, #6 FJICX-#6 MJIC,(6500-06-06)	2
2	P50007	FITTING, ELBOW, 6MJIC - 6MORB (6801R-06-06-.07) (RESTRICTED)	2
3	P50009-A	FITTING, #8 MJIC X #12 MORB	2
*4	P50009-B	FITTING,#6 MJIC-#10 MORB	4
5	P50010F	COUPLER,1/2" FEMALE FLAT FACE 1/2" BODY x 3/4" SAE PORT	1
6	P50010M	COUPLER, 1/2" MALE FLAT FACE 1/2" BODY x 3/4" SAE PORT	1
*7	P60002	RELIEF VALVE, CROSSOVER, NO HOSES	1
8	P50006-B	ANGLE CYLINDER, 2" ROD, ULTRAMAX, ULTRAPLOW	2
9	P30029	CROSSOVER RELIEF, 2500 PSI	1

Models Ultra XT108, Ultra XT120, Ultra XT132

Parts



ITEM	PART #	DESCRIPTION	ULTRA XT-108 QTY	ULTRA XT-120 QTY	ULTRA XT-132 QTY
1	P40108XT	BLADE ASSEMBLY, ULTRAXT-126	1	0	0
	P40120XT	BLADE ASSEMBLY, ULTRAXT-120	0	1	0
	P40132XT	BLADE ASSEMBLY, ULTRAXT-132	0	0	1

ITEM	PART #	DESCRIPTION	ULTRA XT-108 QTY	ULTRA XT-120 QTY	ULTRA XT-132 QTY
1.1	P40017XT	BLADE WELDMENT ONLY, (NO SPRINGS OR TRIP EDGE)	1	0	0
	P40018XT	BLADE WELDMENT ONLY, (NO SPRINGS OR TRIP EDGE)	0	1	0
	P40019XT	BLADE WELDMENT ONLY, (NO SPRINGS OR TRIP EDGE)	0	0	1
1.2	P40026	SPRING ADJUSTMENT ROD ASM	2	2	2
1.3	P40009-B	SPRING ADJUSTMENT ASM	2	2	2
1.4	P40010B	SPRING, TRIP, 6'-10' NEW STYLE	4	4	4
1.5	P40012	NUT, LOCK, 5/8-11, ZINC, GR C	2	2	2
1.6	P40013	BOLT, HEX, 5/8-11 x 3, YELLOW ZINC, GRAD	2	2	2
1.7	P40006	PIN, UPPER PIVOT/TRIP EDGE 1-3/16" x 3"	6	8	8
1.8	P40007	PIN, COTTER, 1/4" x 2", ZINC	6	8	8
1.9	P60242	NUT, JAM, 3/4-10, ZINC	2	2	2
1.10	P40002-N	TRIP EDGE WELDMENT 9FT	1	0	0
	P40002-O	TRIP EDGE WELDMENT 10FT	0	1	0
	P40002-P	TRIP EDGE WELDMENT 11FT	0	0	1
2	P40006	PIN, UPPER PIVOT/TRIP EDGE 1-3/16" x 3"	1	1	1
3	P40007	PIN, COTTER, 1/4" x 2", ZINC	1	1	1
4	P50003	PIN, LOWER PIVOT 1-1/8" x 6-3/4"	1	1	1
5	P50004	PIN, RAM ANCHOR (BLADE END) 1" x 6"	2	2	2
6	P50005	PIN, RAM ANCHOR (FRAME END) 1" x 4"	2	2	2
7	P60030	NUT, HEX, NYLOCK, 5/8-11, ZINC	12	13	0
8	P50020	FLEX FRAME, ASSEMBLY	1	1	1
9	P25562	GREASE ZERK, 3/16" POUND IN	4	4	4
For items above 9: See "Options" on page 54.					
For hydraulic hoses: See "Hoses" on page 56.					
For hydraulic components: See "Hydraulic Components" on page 57.					

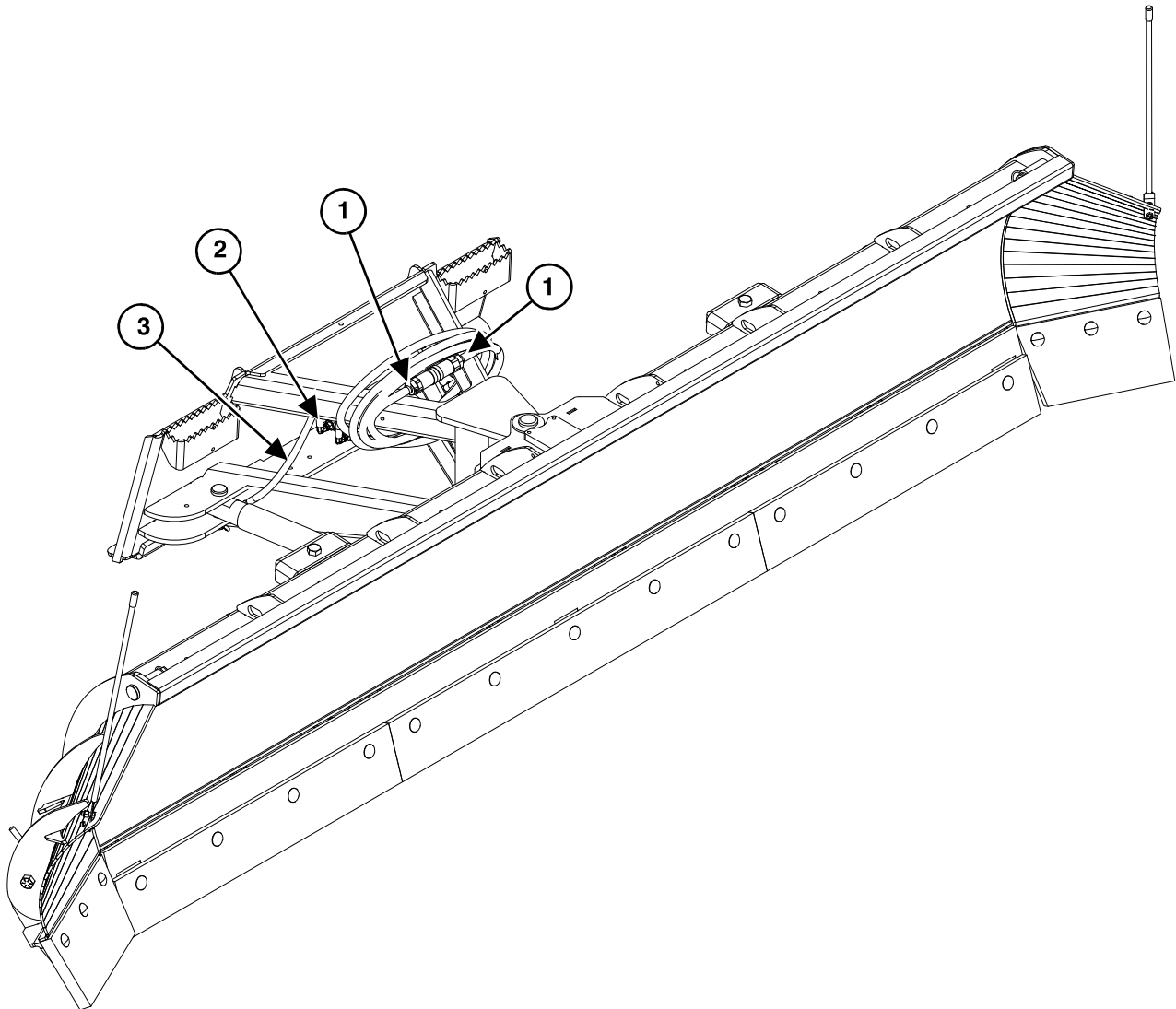
Options

ITEM	PART #	DESCRIPTION	ULTRA-XT-108 QTY	ULTRA-XT-120 QTY	ULTRA-XT-132 QTY
FRAME					
8	P50020	FLEX FRAME, ASSEMBLY, See Page 59	1	1	1
NS	P50031	3 POINT FRAME	1	1	1
NS	P60000-1	ULTRA A-FRAME	1	1	1
MAIN EDGE Steel Options See Trip Edges on page 58.					
10	P50011-G	CENTER PUNCH CUTTING EDGE KIT, 9', WITH HARDWARE (GEN 1, 2 OR 3 TRIP EDGE)	1	0	0
	P50011-H	CENTER PUNCH CUTTING EDGE KIT, 10', WITH HARDWARE(GEN 1, 2 OR 3 TRIP EDGE)	0	1	0
	P50011-I	CENTER PUNCH CUTTING EDGE KIT, 11', WITH HARDWARE(GEN 1, 2 OR 3 TRIP EDGE)	0	0	1
11	P50011-N	TOP PUNCH CUTTING EDGE KIT, 9', WITH HARDWARE (GEN 4 OR 5 TRIP EDGE)	1	0	0
	P50011-O	TOP PUNCH CUTTING EDGE KIT, 10', WITH HARDWARE(GEN 4 OR 5 TRIP EDGE)	0	1	0
	P50011-P	TOP PUNCH CUTTING EDGE KIT, 11', WITH HARDWARE (GEN 4 OR 5 TRIP EDGE)	0	0	1
SoftTouch Options (Works with any Trip Edge)					
12	P50012-G1	9' SOFTTOUCH CUTTING EDGE KIT WITH HARDWARE	1	0	0
	P50012-H1	10' SOFTTOUCH CUTTING EDGE KIT WITH HARDWARE	0	1	0
	P50012-I1	11' SOFTTOUCH CUTTING EDGE KIT WITH HARDWARE	0	0	1
ActivEdge, AR400					
NS	P50011-N-REK	9' ActivEdge KIT WITH HARDWARE	1	0	0
NS	P50011-O-REK	10' ActivEdge KIT WITH HARDWARE	0	1	0
NS	P50011-I-REK	11' ActivEdge KIT WITH HARDWARE	0	0	1
CARBIDE ActivEdge, AR400 WITH CARBIDE					
NS	P50014-N-REK	9' ActivEdge KIT WITH HARDWARE	1	0	0
NS	P50014-O-REK	10' ActivEdge KIT WITH HARDWARE	0	1	0
NS	P50014-I-REK	11' ActivEdge KIT WITH HARDWARE	0	0	1
SPILL GUARD (OPTION)					
NS	P60247	SPILL GUARD 9'	1	0	0
NS	P60248	SPILL GUARD 10'	0	1	0
NS	P60249	SPILL GUARD 11'	0	0	1
WING OPTIONS					
NS	60003	WOLFWING SIDE WING KIT	1	1	1
NS	60003-TE	TRIP-EDGE WOLFWING SIDE WING KIT	1	1	1

ITEM	PART #	DESCRIPTION	ULTRA-XT-108 QTY	ULTRA-XT-120 QTY	ULTRA-XT-132 QTY
	FASTTACH				
NS	50025	FASTTACH™ QUICK RELEASE	1	1	1
	WEAR SHOE				
13	P40003-K	WELDMENT, WEAR SHOE, W/SPACERS & KLIK PINS	1	1	1
NS	P50013-1	CURB GUARD LEFT & RIGHT, See Page 68	1	1	1

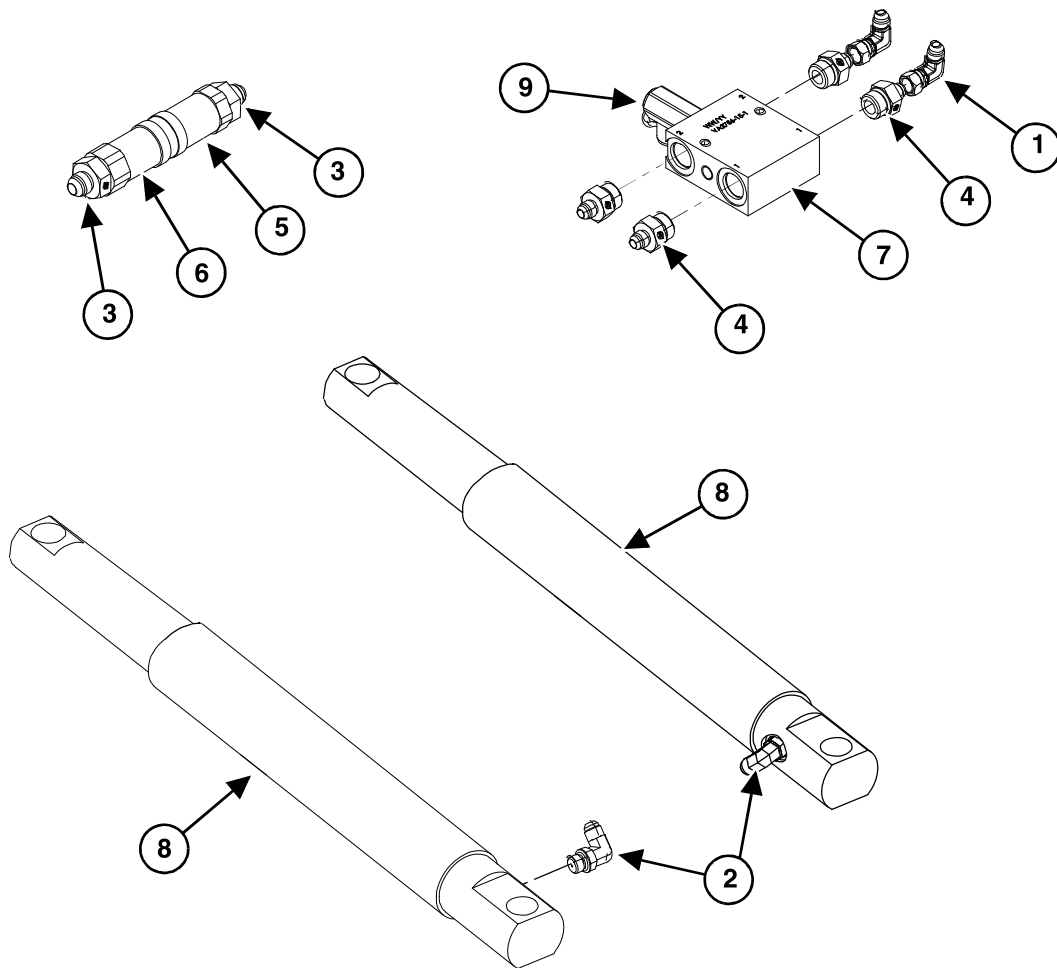
Hydraulics, Ultra XT108, Ultra XT120, Ultra XT132

Hoses



ITEM	PART #	DESCRIPTION	QTY
1	P50008	HOSE, 3/8" x 78", 3000 PSI, 6FJIC-8FJIC	2
2	P50008-E	HOSE, 3/8" x 18", 3000 PSI, 6FJIC-6FJIC	1
3	P60082	HOSE, 3/8" x 38", 3000 PSI, 6FJIC-6FJIC	1

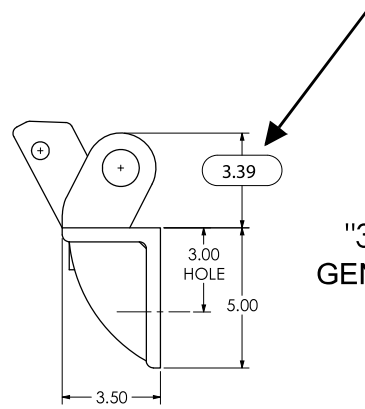
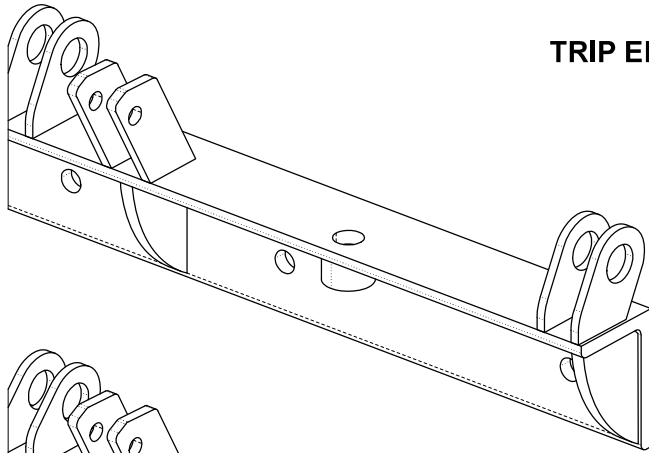
Hydraulic Components



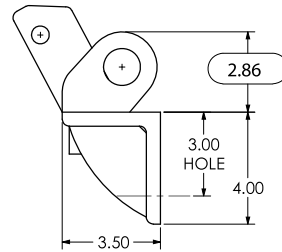
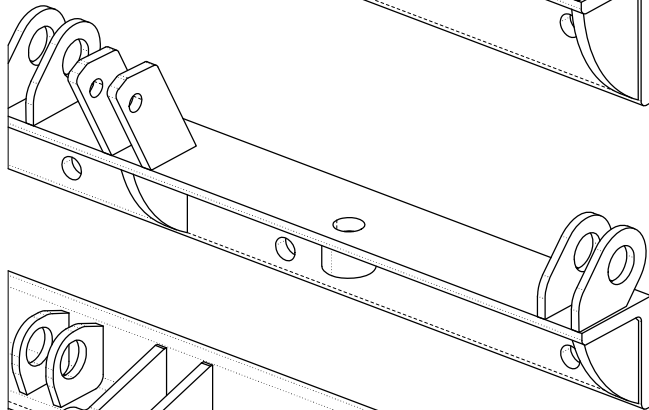
ITEM	PART #	DESCRIPTION	QTY
*1	P25063	FITTING,SWIVEL, 90DEG, #6 FJICX-#6 MJIC,(6500-06-06)	2
2	P50007	FITTING, ELBOW, 6MJIC - 6MORB (6801R-06-06-.07) (RESTRICTED)	2
3	P50009-A	FITTING, #8 MJIC X #12 MORB	2
*4	P50009-B	FITTING,#6 MJIC-#10 MORB	4
5	P50010F	COUPLER,1/2" FEMALE FLAT FACE 1/2" BODY x 3/4" SAE PORT	1
6	P50010M	COUPLER, 1/2" MALE FLAT FACE 1/2" BODY x 3/4" SAE PORT	1
*7	P60002	RELIEF VALVE, CROSSOVER, NO HOSES	1
8	P50006-B	ANGLE CYLINDER, 2" ROD, ULTRAMAX, ULTRAPLOW	2
9	P30029	CROSSOVER RELIEF VALVE 2500 PSI	1

Trip Edge Generations

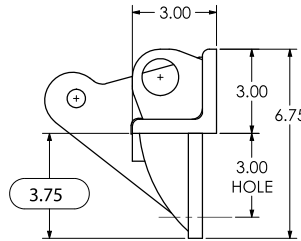
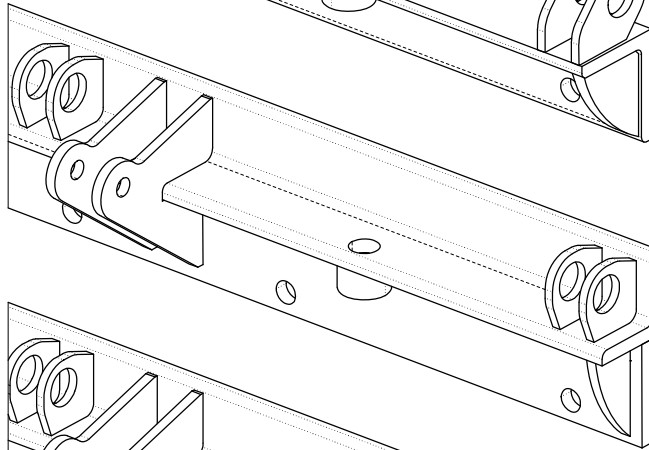
TRIP EDGE MODEL IDENTIFYING DIMENSION



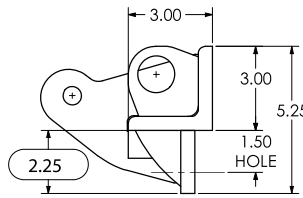
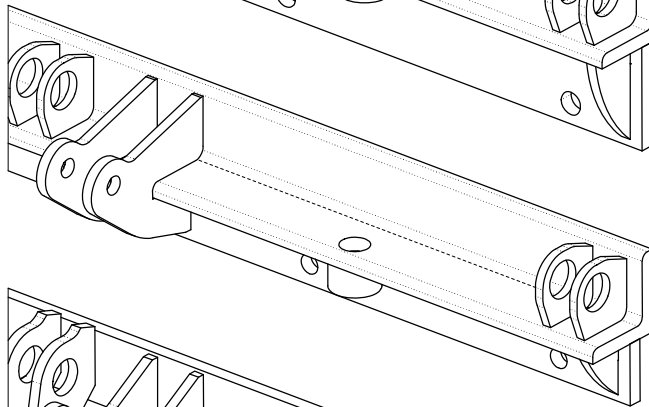
"3.39" EAR"
GENERATION 1



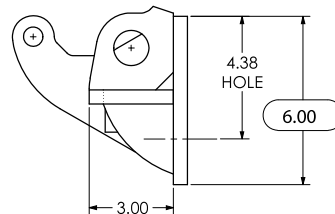
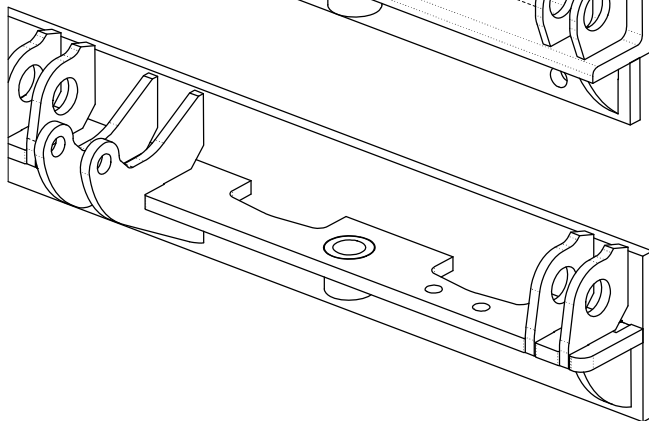
"2.86" EAR"
GENERATION 2



"CENTER PUNCH"
GENERATION 3



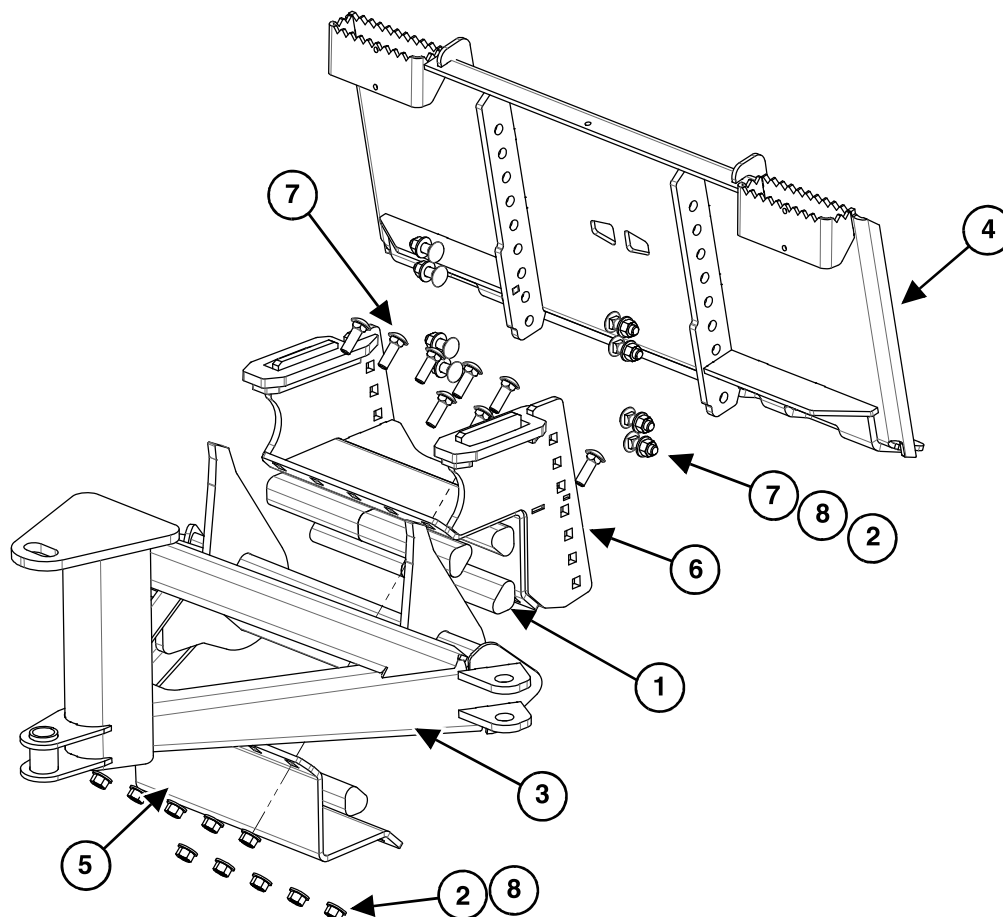
"TOP PUNCH"
GENERATION 4



"CURRENT"
GENERATION 5

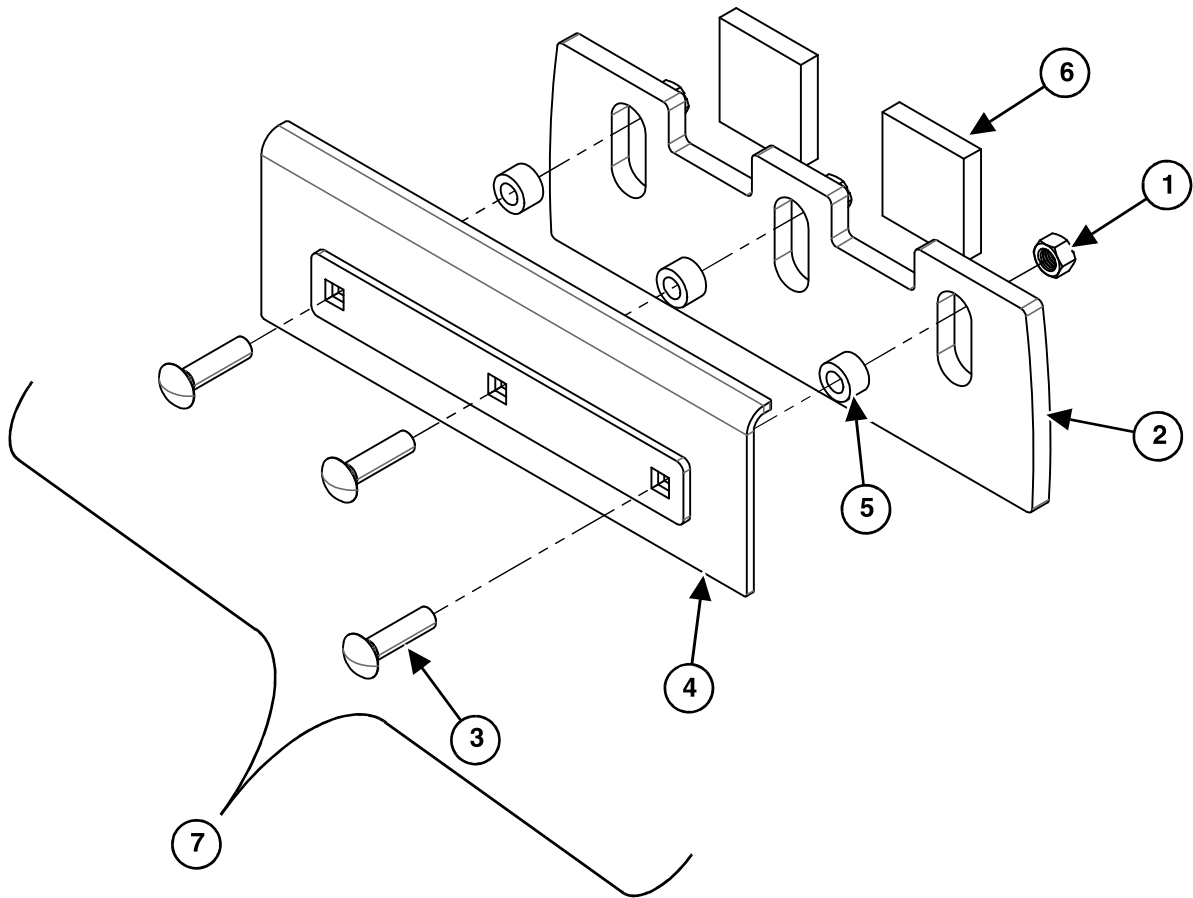
Options

Flex Frame



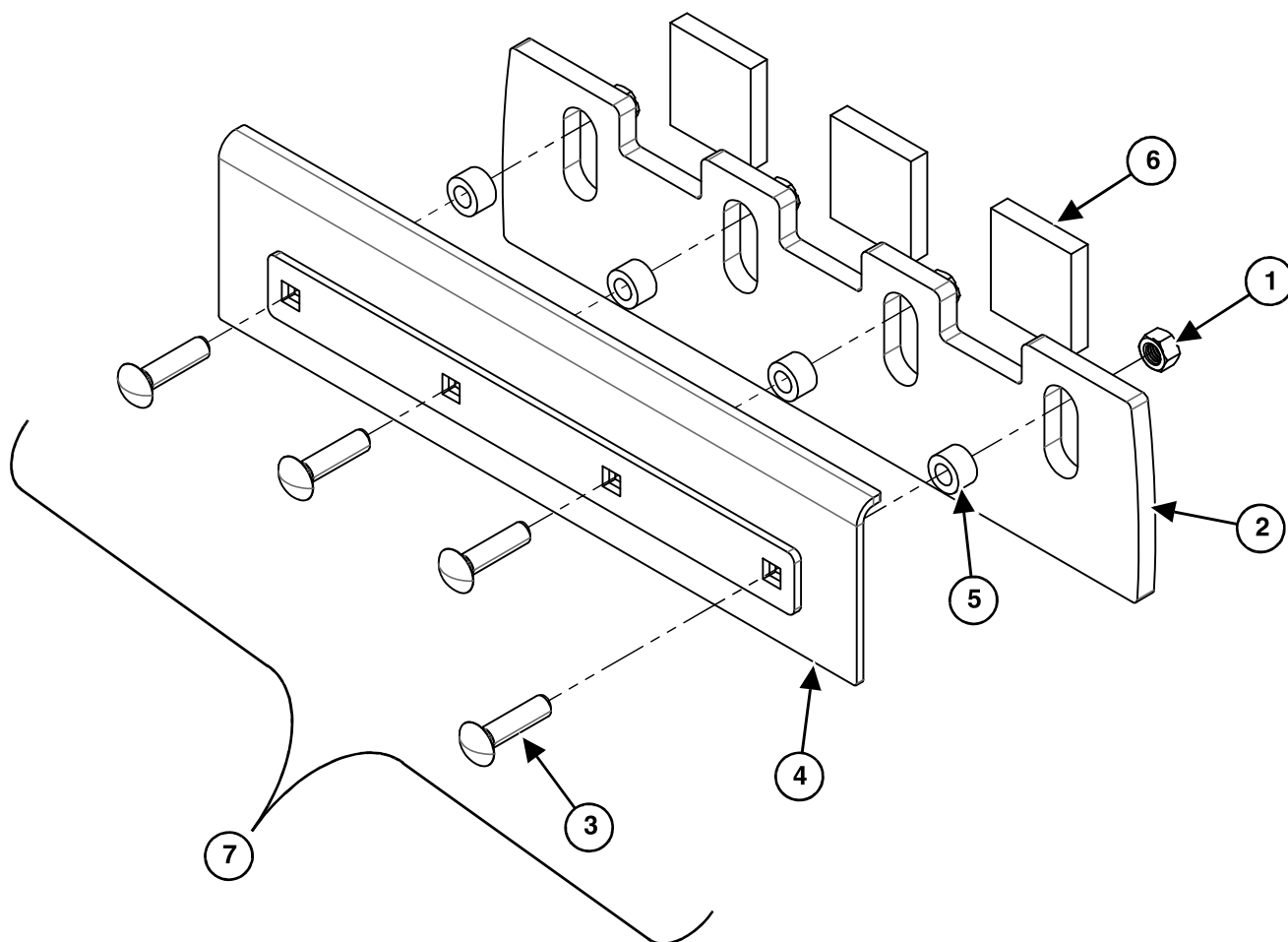
ITEM	PART #	DESCRIPTION	QTY
1	P20042	INSERT RUBBER, FOR T-FRAME, (8.00" LONG)	8
2	P40012	NUT, LOCK 5/8-11, ZINC, GRADE C	18
3	P50027	FLEX FRAME, A-FRAME WELDMENT, BLACK	1
4	P50028	FLEX FRAME MOUNT PLATE	1
5	P50029	REAR TORSION CLAM SHELL	1
6	P50030	FLEX FRAME, REAR TORSION WELDMENT	1
7	P60010	BOLT, CARRAIGE, 5/8-11 x 2" ZINC, GRADE 5	18
8	P60096	WASHER, FLAT, 5/8" SAE, GR8	18

ActivEdge, AR400, 18" Sectional Blade



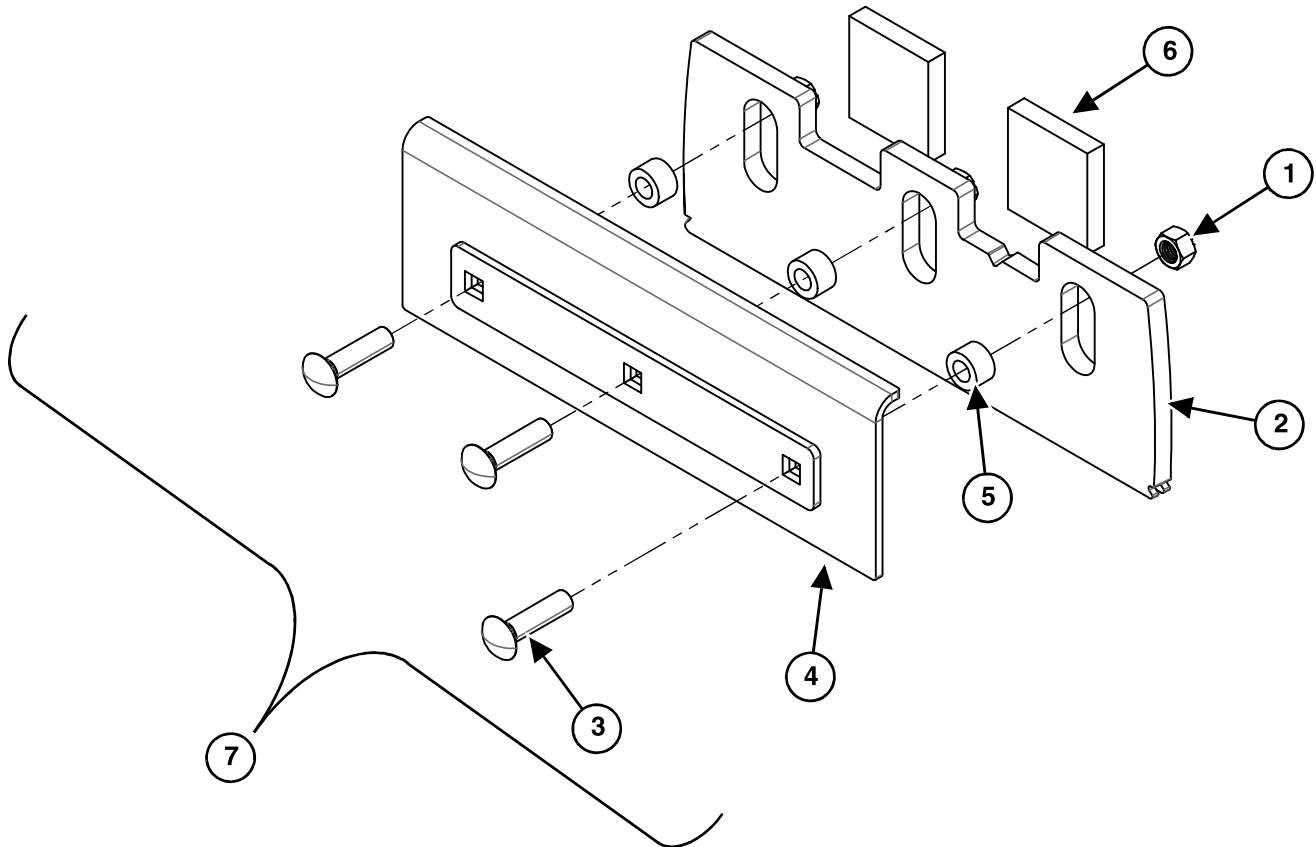
ITEM	PART #	DESCRIPTION	QTY
1	P40012	NUT, LOCK, 5/8-11, ZINC	3
2	P50011-18-SEC	BLADE, 18"	1
3	P60008	BOLT, CARRIAGE, 5/8-11 x 2-1/2"	3
4	P60255	RETAINING WELDMENT, 18"	1
5	P60253	BUSHING, STANDOFF	3
6	P60254	SPRING, RUBBER	2
7	P60251-K	KIT, 18" SECTION (kit includes items 1, 2, 3, 4, 5, & 6)	1

ActivEdge, AR400, 24" Sectional Blade



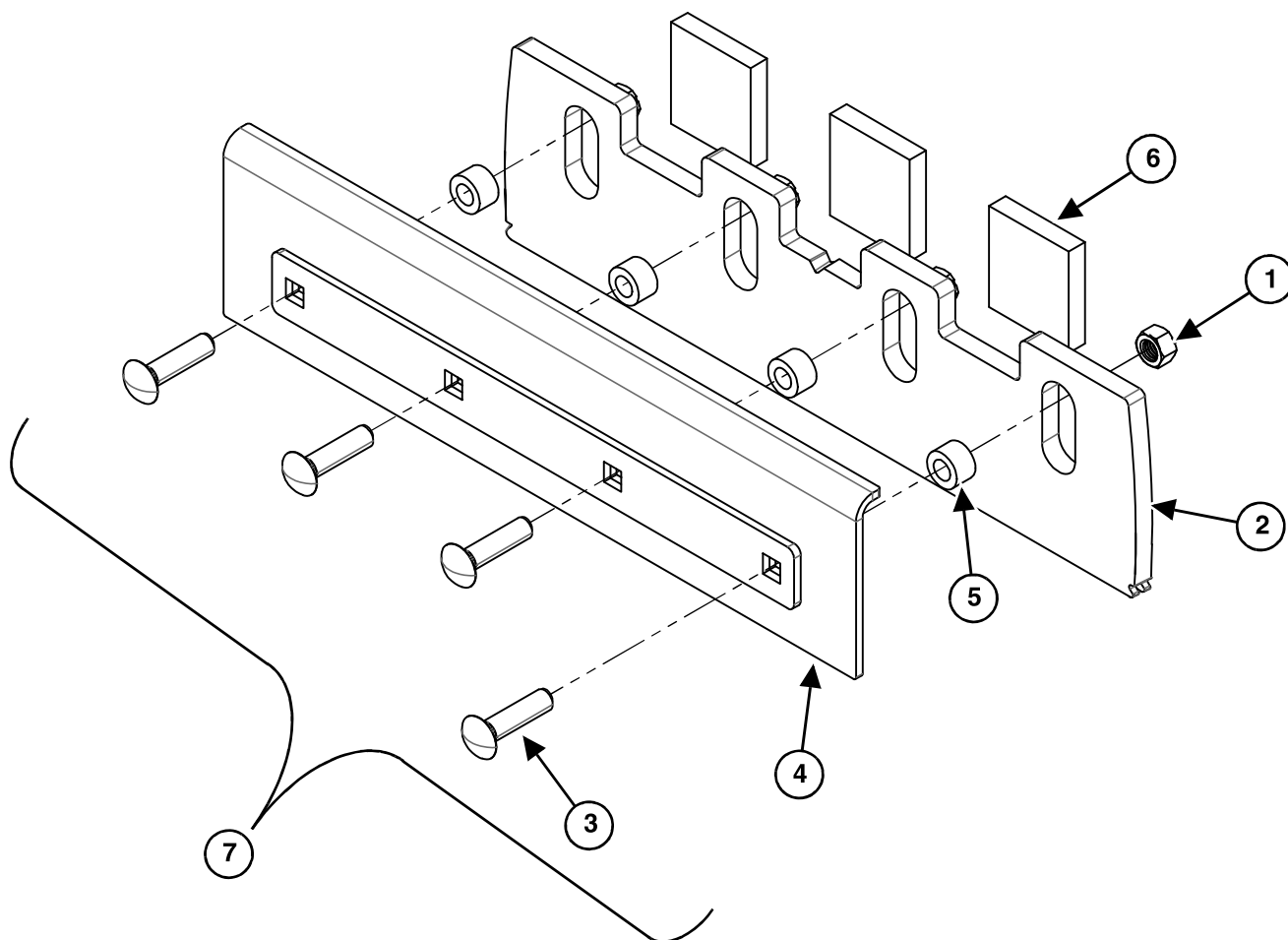
ITEM	PART #	DESCRIPTION	QTY
1	P40012	NUT, LOCK, 5/8-11, ZINC	4
2	P50011-24-SEC	BLADE, 24"	1
3	P60008	BOLT, CARRIAGE, 5/8-11 x 2-1/2"	4
4	P60252	RETAINING WELDMENT, 24"	1
5	P60253	BUSHING, STANOFF	4
6	P60254	SPRING, RUBBER	3
7	P60250-K	KIT, 24" SECTION (kit includes items 1, 2, 3, 4, 5, & 6)	1

ActivEdge, Carbide, AR400, 18" Sectional Blade

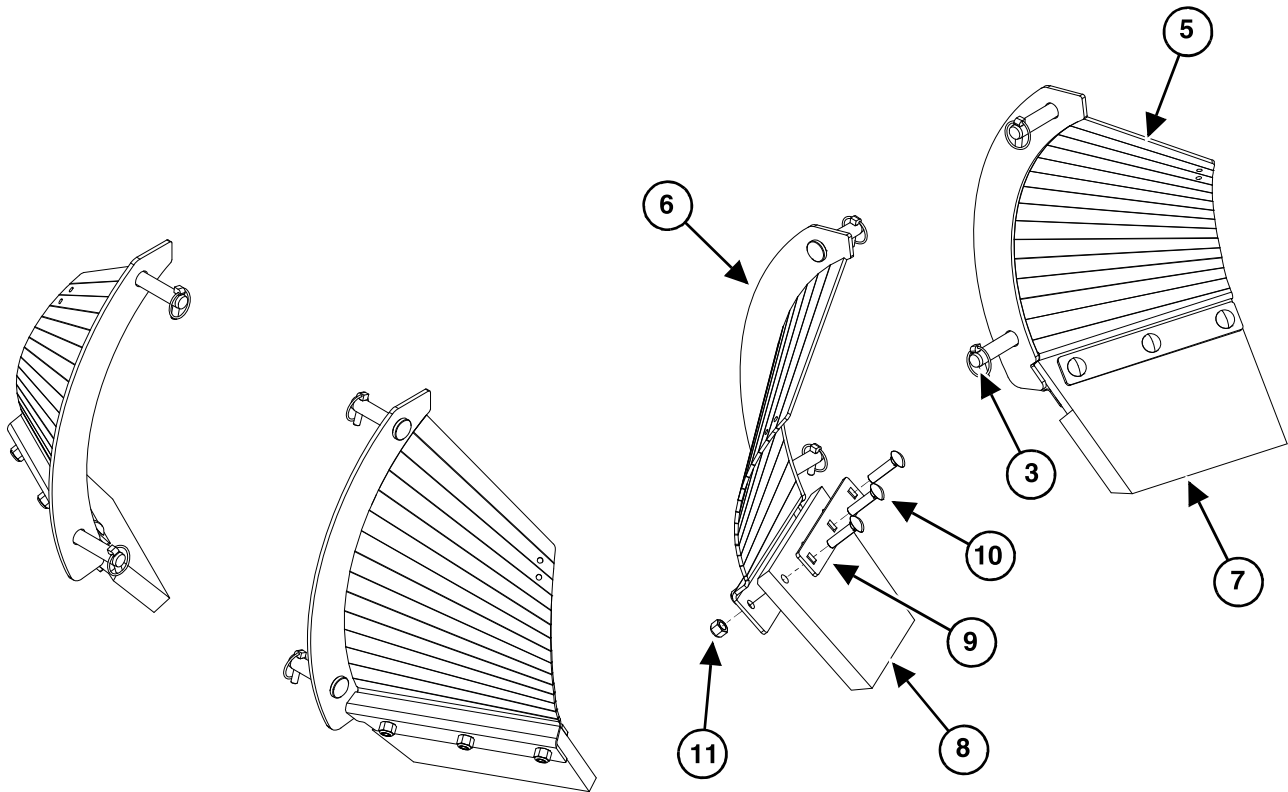


ITEM	PART #	DESCRIPTION	QTY
1	P40012	NUT, LOCK, 5/8-11, ZINC	3
2	P80109-CARB	BLADE, 24"	1
3	P80036	BOLT, CARRIAGE, 5/8-11 x 3"	3
4	P80113	RETAINING WELDMENT, 18"	1
5	P80107	BUSHING, STANDOFF	3
6	P60254	SPRING, FOAM	2
7	P80112-CARB-K	KIT, 18" SECTION (kit includes items 1, 2, 3, 4, 5, & 6)	1

ActivEdge, Carbide, AR400, 24" Sectional Blade

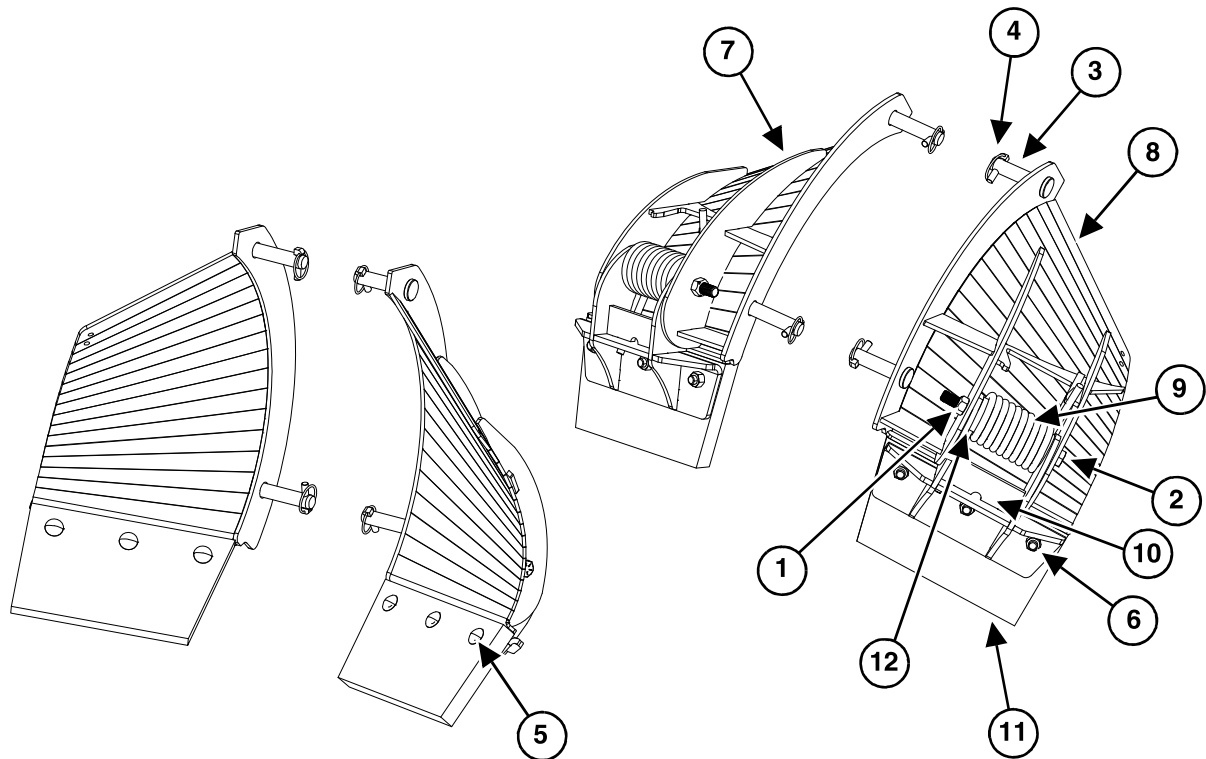


ITEM	PART #	DESCRIPTION	QTY
1	P40012	NUT, LOCK, 5/8-11, ZINC	4
2	P80106-CARB	BLADE, 24"	1
3	P80036	BOLT, CARRIAGE, 5/8-11 x 2-1/2"	4
4	P80111	RETAINING WELDMENT, 24"	1
5	P80107	BUSHING, STANDOFF	4
6	P60254	SPRING, FOAM	3
7	P80110-CARB-K	KIT, 24" SECTION (kit includes items 1, 2, 3, 4, 5, & 6)	1

WolfWing Side Wing Kit (60003)


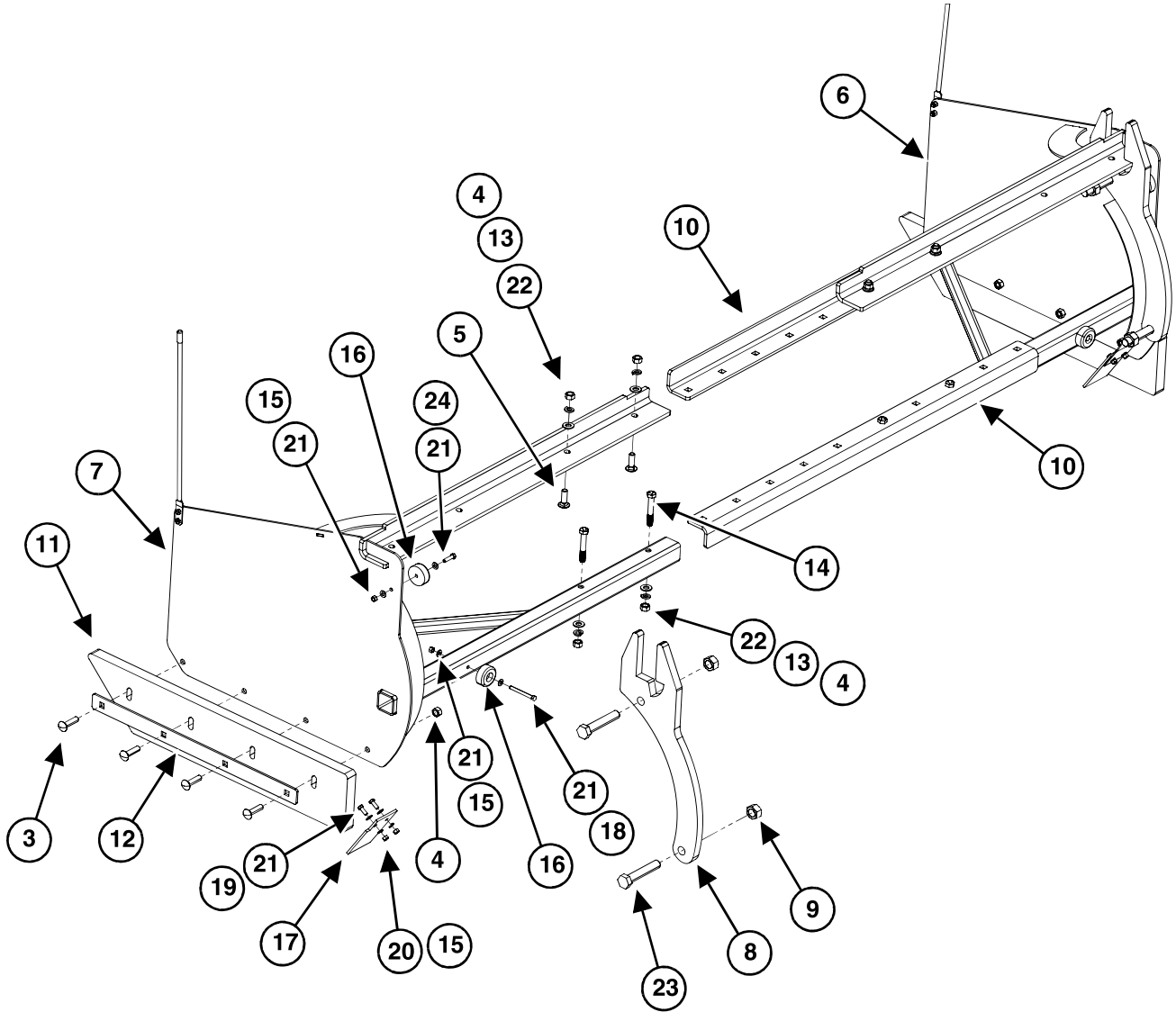
ITEM	PART #	DESCRIPTION	QTY
1	DC34	DECAL, WOLFWINGS, 60003 & 80013 (not shown)	1
2	DC36	DECAL, WOLFHEAD, LEFT SIDEPLATE (not shown)	1
3	P50016	PIN, SIDEPLATE ATTACHING, 1" x 4-1/4"	4
4	P50021	PIN, LYNCH, SIDEPLATE	4
5	P60003L	WOLF WING LEFT	1
6	P60003R	WOLF WING RIGHT	1
7	P60004-L	CUTTING EDGE, URETHANE, LEFT SIDE WING	1
8	P60004-R	CUTTING EDGE, URETHANE, RIGHT SIDE WING	1
9	P60007	HOLD DOWN STRIP, FOR WOLFWING CUTTING EDGE	2
10	P60008	BOLT, CARRIAGE, 5/8-11 x 2-1/2"	6
11	P60035	NUT, HEX, NYLOCK, 5/8-11, YELLOW ZINC, GRADE 8	6

Trip Edge WolfWing Side Wing Kit (60003-TE)



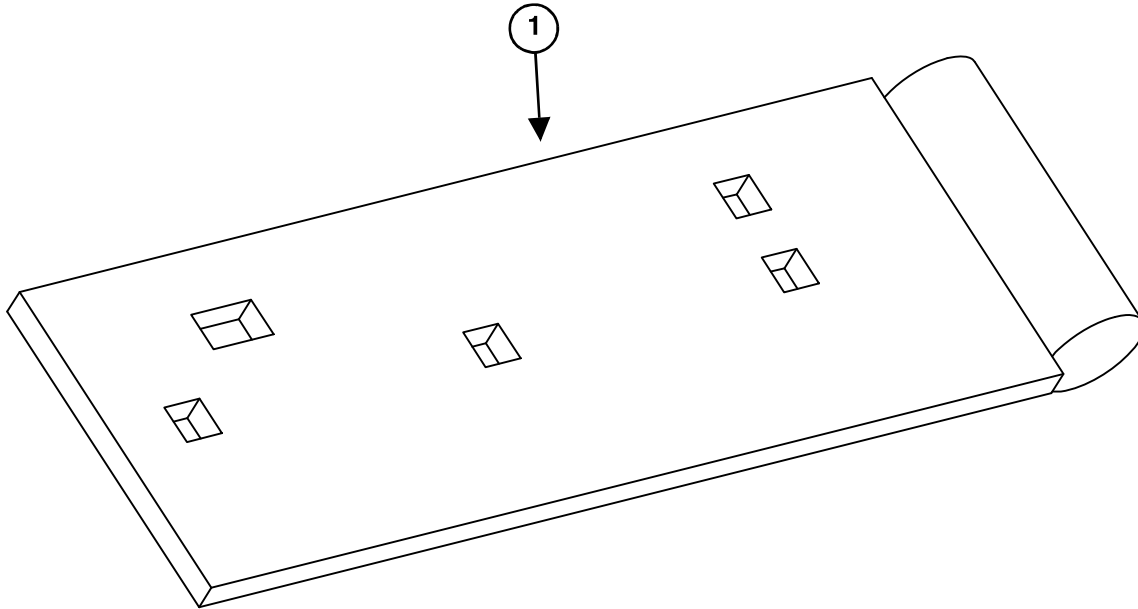
ITEM	PART #	DESCRIPTION	QTY
1	P20028	NUT, LOCK, 3/4-10, GRADE C	2
2	P25064	BOLT, HEX, 3/4-10 X 9, YELLOW ZINC, GRADE 8	2
3	P50016	PIN, SIDEPLATE ATTACHING, 1" x 4-1/4"	4
4	P50021	PIN, LYNCH, SIDEPLATE	4
5	P60008	BOLT, CARRIAGE, 5/8-11 x 2-1/2"	6
6	P60009	NUT, HEX, 5/8-11, ZINC	6
7	P60012L	WELDMENT, WING, TE WOLFWING LEFT SIDE	1
8	P60012R	WELDMENT, TRIP EDGE, WOLFWING RIGHT SIDE	1
9	P60041	SPRING, COIL, FOR TRIP EDGE WOLFWING	2
10	P60042	WELDMENT, TRIP EDGE, FOR TRIP EDGE WOLFWING	2
11	P60044	WOLF WING TRIP BLADE	2
12	P60046	SPRING SPACER TUBE	2

UltraPlow FastTach



ITEM	PART #	DESCRIPTION	QTY
1	DC11	DECAL, FASTTACH, RIGHT SIDE PLATE (not shown)	1
2	DC29	DECAL, WOLFHEAD, MOLDBOARD RIGHT (not shown)	1
3	P60008	BOLT, CARRIAGE, 5/8-11 x 2-1/2"	8
4	P60008	NUT, HEX, 5/8-11, ZINC	16
5	P60010	BOLT, CARRIAGE, 5/8-11 x 2" ZINC, GRADE 5	4
6	P60020	WELDMENT, FASTTACH RIGHT SIDE ULTRAPLOW	1
7	P60021	WELDMENT, FASTTACH LEFT SIDE ULTRAPLOW	1
8	P60022	ATTACHING BRACKET, FASTTACH, LEFT OR RIGHT, ULTRAPLOW (EAR)	2
9	P60024	NUT, LOCK, 1-8, ZINC, GRADE C	4
10	P60025	CONNECTING SPAN BAR, UPPER OR LOWER, ULTRAPLOW	2
11	P60026	CUTTING EDGE (URETHANE)	2
12	P60027	CUTTING EDGE HOLD DOWN STRIP, FASTTACH, LEFT OR RIGHT	2
13	P60029	5/8" LOCK WASHER	8
14	P60031	BOLT, HEX, 5/8-11 x 4, ZINC, GRADE 8	4
15	P60037	NUT, HEX 3/8-16, ZINC, GRADE 5	8
16	P60039	BUMPER	4
17	P60040	SNOW CATCH, POLY, FOR FASTTACH	2
18	P60045	BOLT, HEX, 3/8-16 x 3-1/2", GR5 ZINC	2
19	P60059	BOLT, HEX, 3/8-16 x 1, ZINC, GRADE 5	4
20	P60060	WASHER, LOCK, 3/8", FOR WING BUMP STOP BOLT	4
21	P60088	WASHER, FLAT, 3/8" SAE, ZINC	12
22	P60096	WASHER, FLAT, 5/8" SAE, GR8 ZINC	8
23	P60229	BOLT, HEX, 1"-8 x 5-1/2", ZINC, GRADE 5	4
24	P80041	BOLT, HEX, 3/8" x 1.5"	2

Curb Guard



ITEM	PART #	DESCRIPTION	QTY
1	P50013-1	PLATE, CURB GUARD (R or L Kit for Top and Center Punch)	1