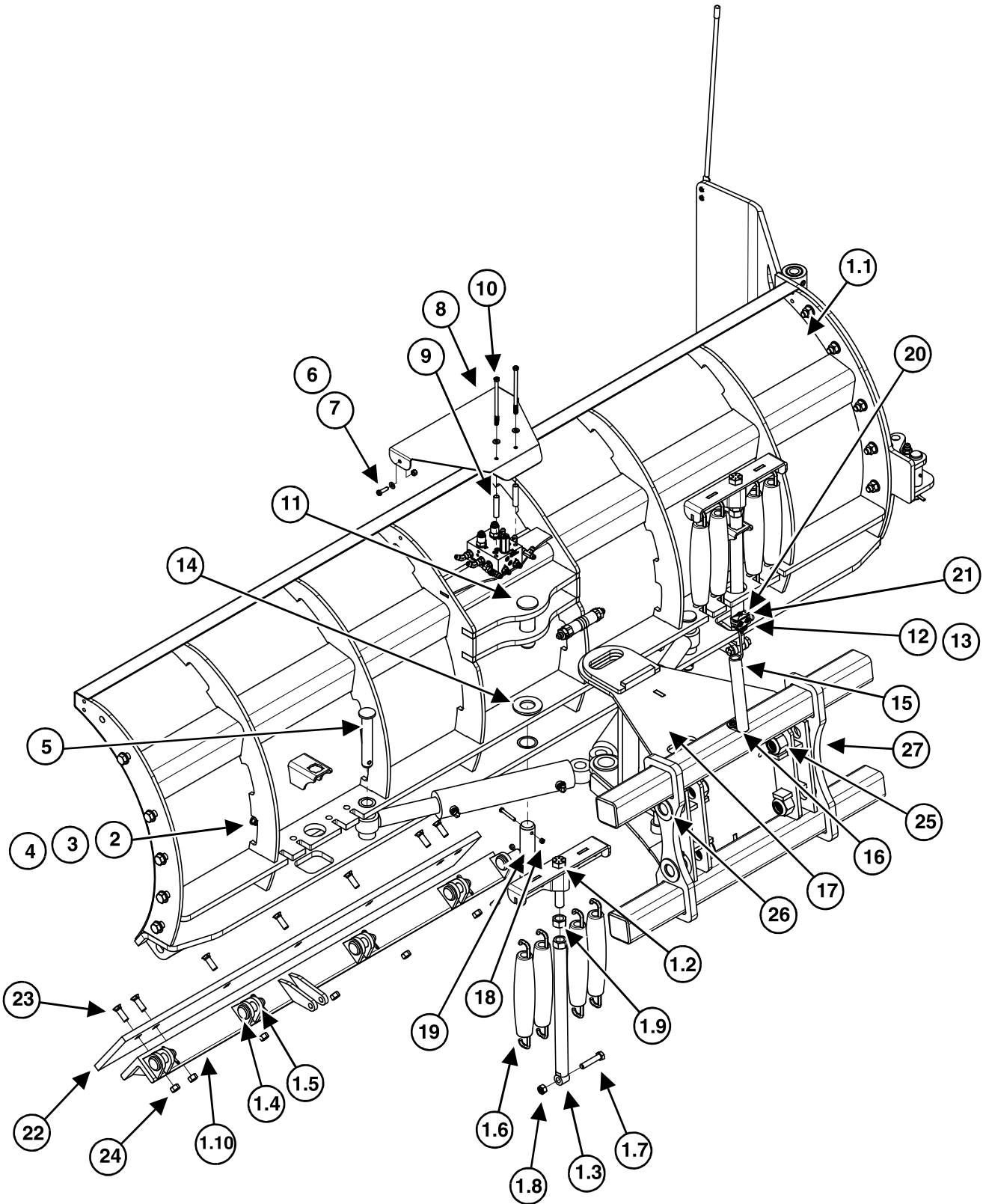


Models QPHD146, QPHD170

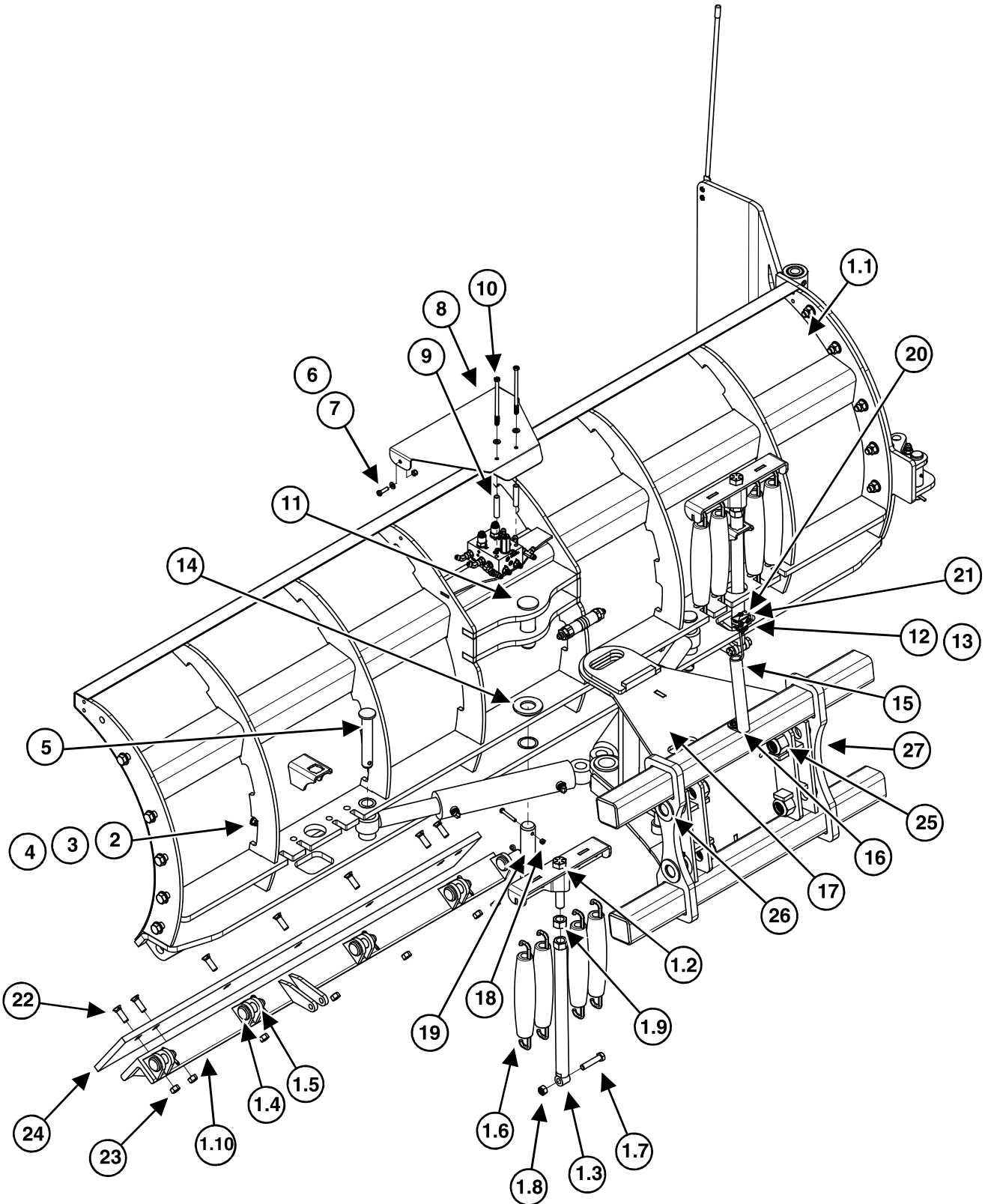
Parts



ITEM	PART #	DESCRIPTION	QPHD-146 QTY	QPHD-170 QTY
1	P80074	MOLDBOARD ASSEMBLY 120" 10FT HD	1	0
	P80075	MOLDBOARD ASSEMBLY 144" 12FT HD	0	1
1.1	P80100	MOLDBOARD ONLY, 120" 10FT HD	1	0
	P80101	MOLDBOARD ONLY, 144" 12FT HD	0	1
1.2	P80080	SPRING ADJUSTER ASSEMBLY, HD	2	2
1.3	P80081	WELDMENT, SPRING BAR, HD	2	2
1.4	P40006	PIN, UPPER PIVOT/TRIP EDGE 1-3/16" x 3"	9	11
1.5	P40007	PIN, COTTER, 1/4" x 2", ZINC	9	11
1.6	P40010B	SPRING, TRIP, 6'-10' NEW STYLE	8	8
1.7	P40013	BOLT, HEX, 5/8-11 x 3, ZINC, GR 8	2	2
1.8	P40012	NUT, LOCK, 5/8-11, ZINC, GR C	2	2
1.9	P60065	NUT, HEX, 1"- 8, YELLOW ZINC, GR 8	2	2
1.10	P80076	TRIP EDGE WELDMENT, LEFT HAND 120" (10FT)	1	0
1.10	P80077	TRIP EDGE WELDMENT, RIGHT HAND 120" (10FT)	1	0
	P80078	TRIP EDGE WELDMENT, LEFT HAND 144" (12FT)	0	1
	P80079	TRIP EDGE WELDMENT, RIGHT HAND 144" (12FT)	0	1
2	P60222	WASHER, FLAT, 1/2" SAE, ZINC	4	4
3	P25045	NUT, LOCK, 1/2" ZINC, GR C	2	2
4	P80050	BOLT, HEX, 1/2" x 1-1/2", ZINC, GR 5	2	2
5	P80004	PIN, RAM ANCHOR 1.25 X 7.5 BLADE OR FRAME END	4	4
6	P60210	BOLT, HEX, 3/8" x 1-1/4"	3	3
7	P60211	NUT, HEX, NYLOCK, 3/8", ZINC, GR 8	6	6
8	P80086	MANIFOLD SHROUD, QUATTRO HD	1	1
9	P60089	MANIFOLD SHROUD BOLT SPACER	2	2
10	P80052	BOLT, HEX, 3/8" x 6-1/2", ZINC, GR 5	2	2
11	P80002	PIN, UPPER PIVOT, 1.75" x 6.00"	1	1
12	P60209	WASHER, FLAT, 1/2" USS, ZINC	3	3
13	P60094	BOLT, HEX, 5/16-18 x 2-1/2" ZINC, GR 5	3	3
14	P80116	WASHER, CUSTOM, LOWER PIVOT	1	1
15	P60084	SPRING, HOSE HOLDER	1	1
16	P60088	WASHER, FLAT, 3/8" SAE, ZINC	5	5

Models QPHD146, QPHD170 (Cont'd)

Parts (Cont'd)



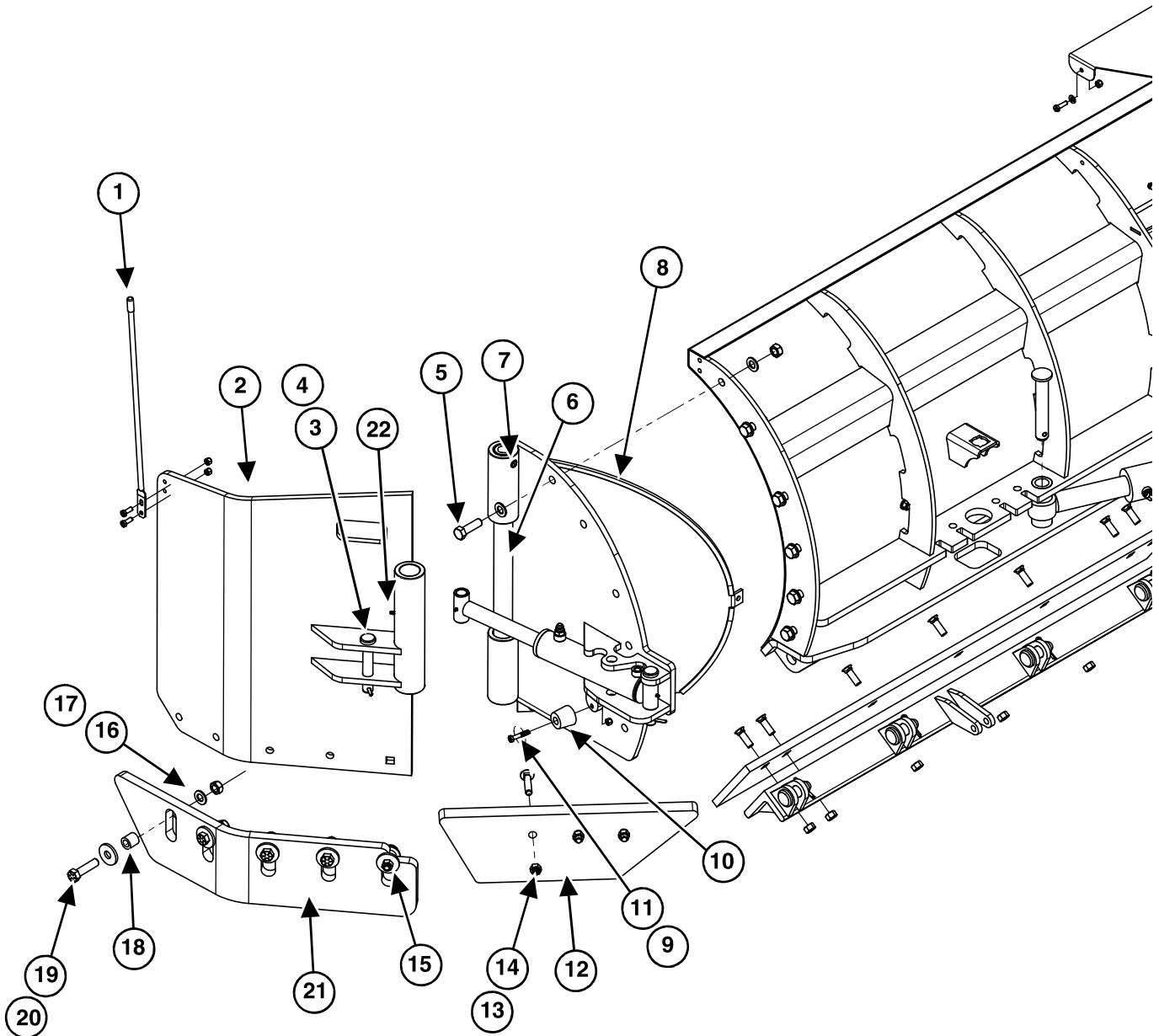
ITEM	PART #	DESCRIPTION	QPHD-146 QTY	QPHD-170 QTY
17	P80087	A-FRAME, HD	1	1
18	P60090	NUT, HEX, NYLOCK, 5/16"-18	3	3
19	P80003	PIN, LOWER PIVOT, 1.75" x 8.5"	1	1
20	P60159	HOSE CLAMP	1	1
21	P60160	PLATE, HOSE CLAMP	1	1
22	P81011	BOLT, CARRIAGE, GR8	14	16
23	P60009	NUT, HEX, 5/8-11, ZINC	14	16
For items above 23: See "Options (QPHD Models)" on page 42.				
For hydraulic hoses: See "Hydraulic Hoses (QPHD Models)" on page 46.				
For hydraulic components: See "Hydraulic Components (QPHD Models)" on page 47.				

Options (QPHD Models)

ITEM	PART #	DESCRIPTION	QPHD-146 QTY	QPHD-170 QTY
STANDARD BLADE				
24	P80011-A	CUTTING EDGE, 10' WITH HARDWARE	1	0
	P80011-B	CUTTING EDGE, 12' WITH HARDWARE	0	1
MOUNT OPTIONS				
All Mounts				
25	P80088	NUT, HEX, NYLOCK, 1-1/2"-6	4	4
26	P80089	WASHER, FLAT, 1-1/2"	8	8
27	P80096	MOUNTING KEEPER, WISHBONE, MOUNTING PLATE KEEPER	2	2
CAT - IT (MT100 KIT)				
NS	P80048	BOLT, 1-1/2"-6 x 8", PLAIN FINISH, GR 8	4	4
NS	P80072	MOUNT PLATE, CAT IT LEFT SIDE	1	1
NS	P80073	MOUNT PLATE, CAT IT RIGHT SIDE	1	1
CAT - FUSION (MT200 KIT)				
NS	P80048	BOLT, 1-1/2"-6 x 8", PLAIN FINISH, GR 8	4	4
NS	P80094	MOUNT PLATE, CAT FUSION, LEFT HAND	1	1
NS	P80095	MOUNT PLATE, CAT FUSION, RIGHT HAND	1	1
NS	P81008	MOUNT SPACER, CAT FUSION	4	4
JRB-416 (MT300 KIT)				
NS	P80053	BOLT, 1-1/2"-6 x 12", PLAIN FINISH, GR 8	4	4
NS	P80090	MOUNT PLATE, JRB, RIGHT HAND	1	1
NS	P80091	MOUNT PLATE, JRB, LEFT HAND	1	1
NS	P80092	MOUNT SPACER, JRB	4	4
VOLVO (MT500 KIT)				
NS	P80098	MOUNT PLATE, VOLVO, LEFT HAND	1	1
NS	P80099	MOUNT PLATE, VOLVO, RIGHT HAND	1	1
NS	P81005	MOUNT SPACER, VOLVO	4	4
NS	P81006	BOLT, HEX, 1-1/2"-6 x 16", PLAIN FINISH	4	4
UNIVERSAL WELD ON MOUNT (MT600 KIT) (UNPAINTED)				
NS	P80048	BOLT, HEX, 1-1/2"-6 x 8"	4	4
NS	P80088	NUT, HEX, NYLOCK, 1-1/2"-6	4	4
NS	P80049	WASHER, FLAT, 1-1/2"	8	8
NS	P80096	MOUNTING KEEPER, WISHBONE	2	2
NS	P81008	MOUNT SPACER	4	4
NS	P81012	MOUNT PLATE, FOR UNIVERSAL	2	2
ActivEdge, AR400, SEE PAGES 51 & 52				
NS	P80011-A-REK	10' REPLACEMENT EDGES WITH HARDWARE	1	0
NS	P80011-B-REK	12' REPLACEMENT EDGES WITH HARDWARE	0	1
CARBIDE ActivEdge, AR400 WITH CARBIDE, SEE PAGES 53 & 54				
NS	P80124-A-REK	10' REPLACEMENT CARBIDE EDGES WITH HARDWARE	1	0
NS	P80124-B-REK	12' REPLACEMENT CARBIDE EDGES WITH HARDWARE	0	1

ITEM	PART #	DESCRIPTION	QPHD-146 QTY	QPHD-170 QTY
	SPILL GUARD (OPTION)			
NS	P80102-K	SPILL GUARD, 10'	1	0
NS	P80103-K	SPILL GUARD, 12'	0	1

Side Wing (QPHD Models)

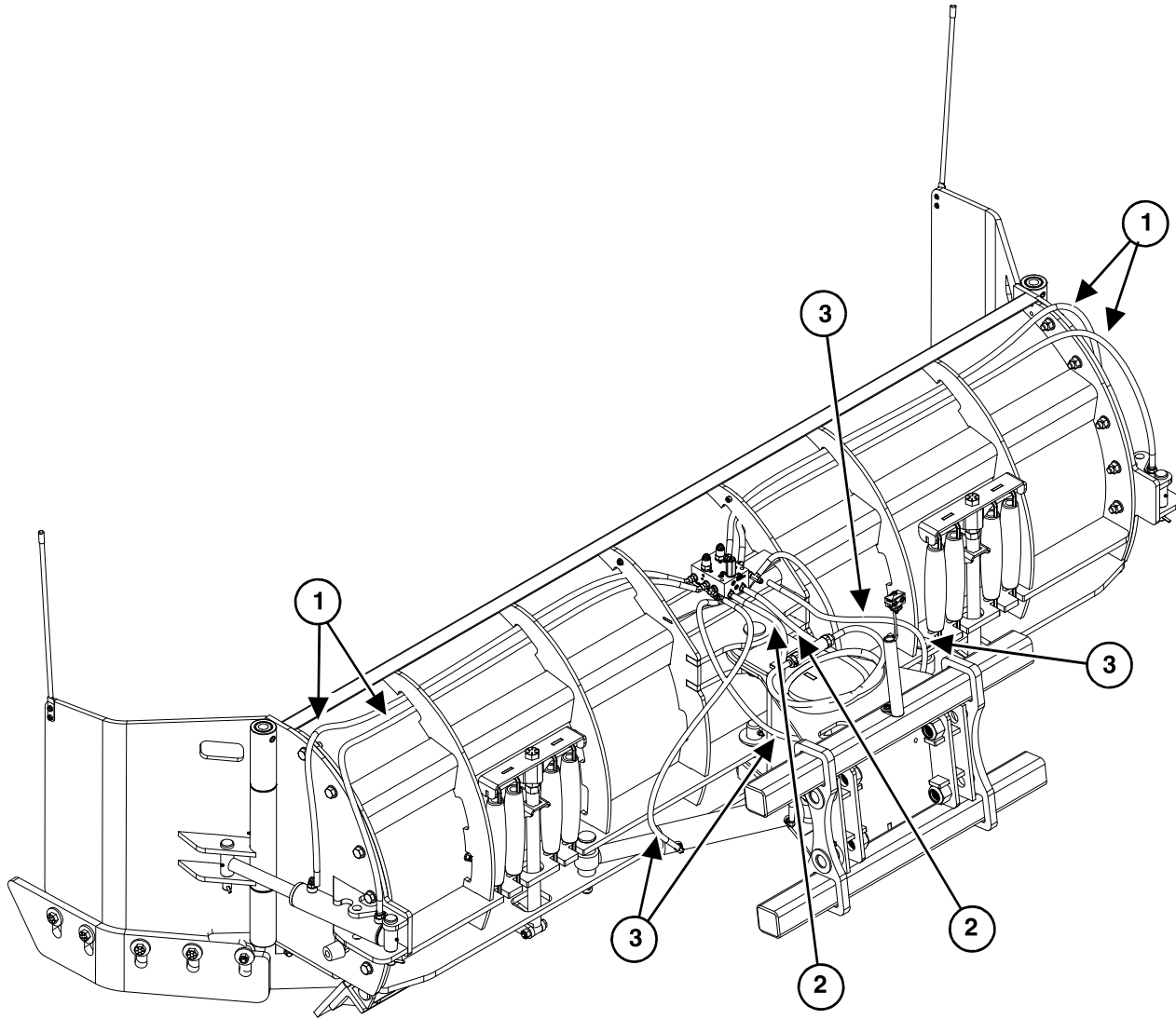


ITEM	PART #	DESCRIPTION	QPHD-146 QTY	QPHD-170 QTY
1	P50001	BLADE MARKER GUIDE SET	1	1
2	P80083	WING, QUATTRO PLOW HD, RH	1	1
NS	P80085	WING, QUATTRO PLOW HD, LH	1	1
3	P50004	PIN, RAM ANCHOR (BLADE END) 1" x 6'	4	4
4	P40007	PIN, COTTER, 1/4" x 2", ZINC	4	4
5	P80039	BOLT, HEX, 3/4-10 x 2-1/2", ZINC, GR 8	12	12
6	P80097	HINGE PIN, FOR QPHD WING	2	2
7	P80047	PIN, ROLL, 3/4" x 3"	2	2
8	P80082	WING, QUATTRO PLOW HD, LEFT REAR WELDMENT	1	1
9	P60211	NUT, HEX, NYLOCK, 3/8", ZINC, GR 8	6	6
10	P60158	WING BUMP STOP, 2"W x 1-3/4"H 3/8" BOLT DIA	2	2
11	P60235	BOLT, HEX, 3/8" x 2", ZINC, GR 8	2	2
12	P80061	CUTTING EDGE, URETHANE, LEFT- RIGHT (REAR ONLY) HD	2	2
13	P80035	BOLT, CARRIAGE, 5/8-11 x 3", ZINC, GR 5	8	8
14	P40012	NUT, LOCK, 5/8-11, ZINC, GR C	8	8
15	P60095	WASHER, FLAT 3/4" USS	10	10
16	P20028	NUT, LOCK, 3/4-10, GR C	20	20
17	P30051	WASHER, FLAT, 3/4 SAE	32	32
18	P60019	BUSHING, Ø1.25" x 1.20"	10	10
19	P60015	WASHER, CUSTOM, 2.25" STEEL EDGE	10	10
20	P70005	BOLT, HEX, 3/4" x 3" ZINC, GR 8	8	8
21	P60017	WING EDGE, STEEL, LEFT SIDE	1	1
22	P25562	GREASE ZERK, 3/16" POUND IN	2	2
NS	P60018	WING EDGE, STEEL, RIGHT SIDE	1	1

For hydraulic hoses: See "Hydraulic Hoses (QPHD Models)" on page 46.

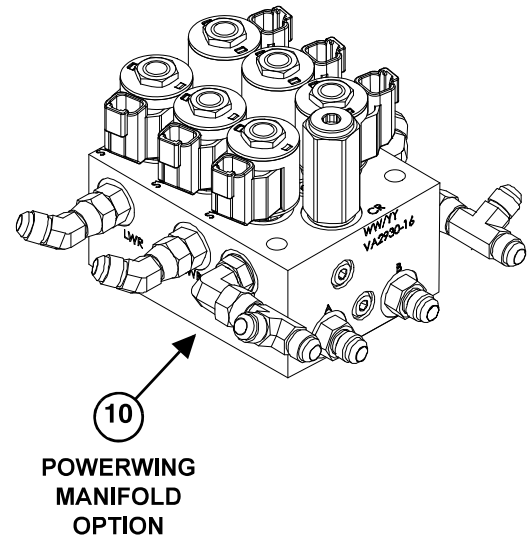
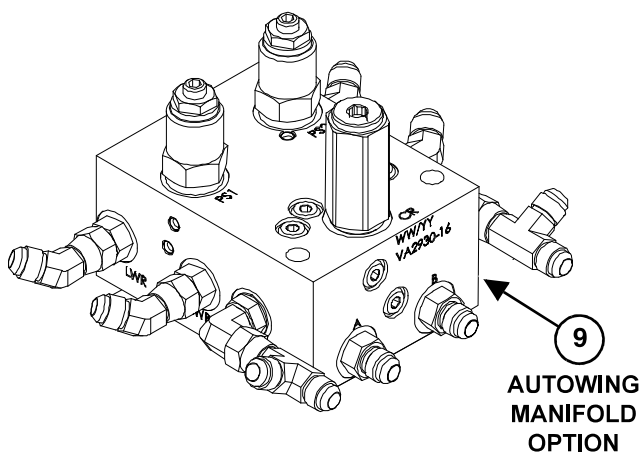
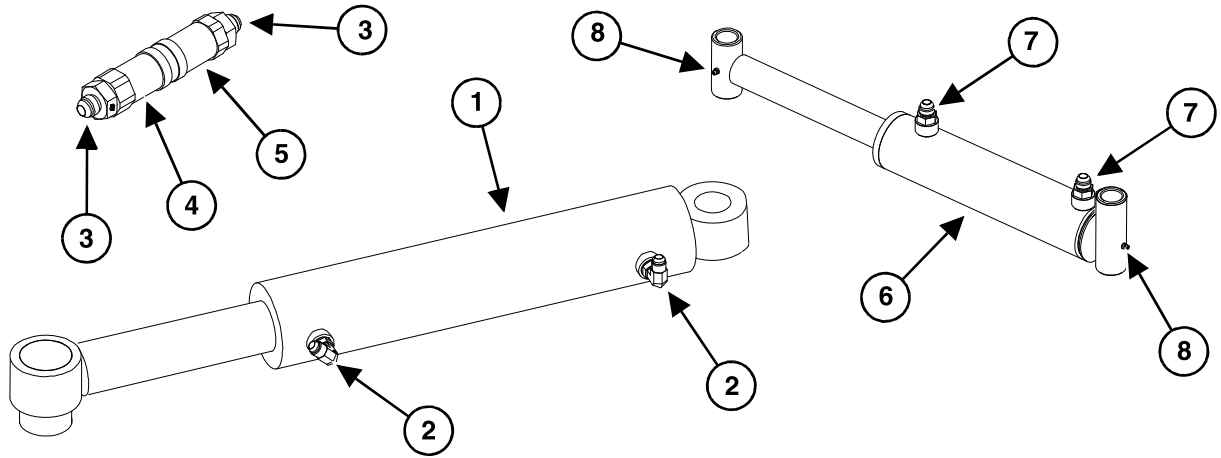
Hydraulics QPHD146, QPHD170

Hydraulic Hoses (QPHD Models)



ITEM	PART #	DESCRIPTION	QPHD-146 QTY	QPHD-170 QTY
1	P50008	HOSE, 3/8" x 78", 3000 PSI, 6FJIC-8FJIC	4	0
2	P50008-D	HOSE, 3/8" x 94", 3000 PSI, 6FJIC-8FJIC	2	6
3	P60082	HOSE, 3/8" x 38", 3000 PSI, 6FJIC-6FJIC	4	4

Hydraulic Components (QPHD Models)



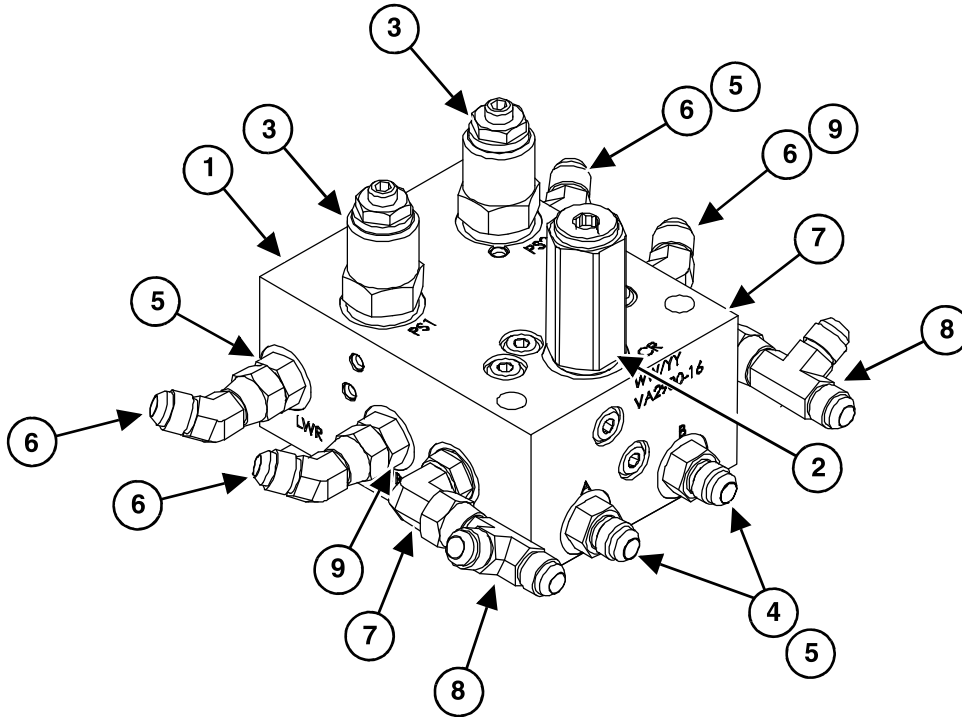
ITEM	PART #	DESCRIPTION	QTY
1	P80006-1	ANGLE CYLINDER, NITRO STEEL 3" BORE, DOUBLE ACTING	2
2	P60085	FITTING, 90 DEG, #6MORB-#6MJIC	4
3	P50009-A	FITTING, #8 MJIC X #12 MORB	2
4	P50010F	COUPLER, 1/2" FEMALE FLAT FACE 1/2" BODY x 3/4" SAE PORT	1
5	P50010M	COUPLER, 1/2" MALE FLAT FACE 1/2" BODY x 3/4" SAE PORT	1
6	P80056	CYLINDER, NITRO STEEL, QUATTRO WING, DUAL ACTING, LEFT & RIGHT	2
7	P38077	FITTING, #8 MJIC - #8MORB, STR	4
8	P25562	GREASE ZERK, 3/16" POUND IN	2
9	P80051-K	MANIFOLD, AUTOWING ASSY, HD W/VALVES (with fittings) See page 49	1
10	QPHD-PW	POWERWING MANIFOLD WITH FITTINGS & DIODE HARNESS See page 50	1

Decal Identification (QPHD Models)

PART #	DESCRIPTION	QPHD-146 QTY	QPHD-170 QTY
DC72	DECAL, QUATTROPLOW, HD-146	1	0
DC73	DECAL, QUATTROPLOW, HD-170	0	1
DC74	DECAL, WING, QPHD	1	0
DC75	DECAL, WING, QPHD	0	1
DC77	DECAL, "PATENTS PENDING" BLACK	2	2
DC79	DECAL, WOLFHEAD, LARGE, LEFT SIDE, QPHD	1	1
DC28	DECAL, SNOWWOLF, MOLDBOARD LEFT	1	1
DC29	DECAL, WOLFHEAD, MOLDBOARD RIGHT	1	1
DC68	DECAL, TAG US, BLACK W/YELLOW	1	1
P20019	DECAL, "DANGER PINCH AREA"	4	4
SWSN	DECAL, SERIAL #	1	1

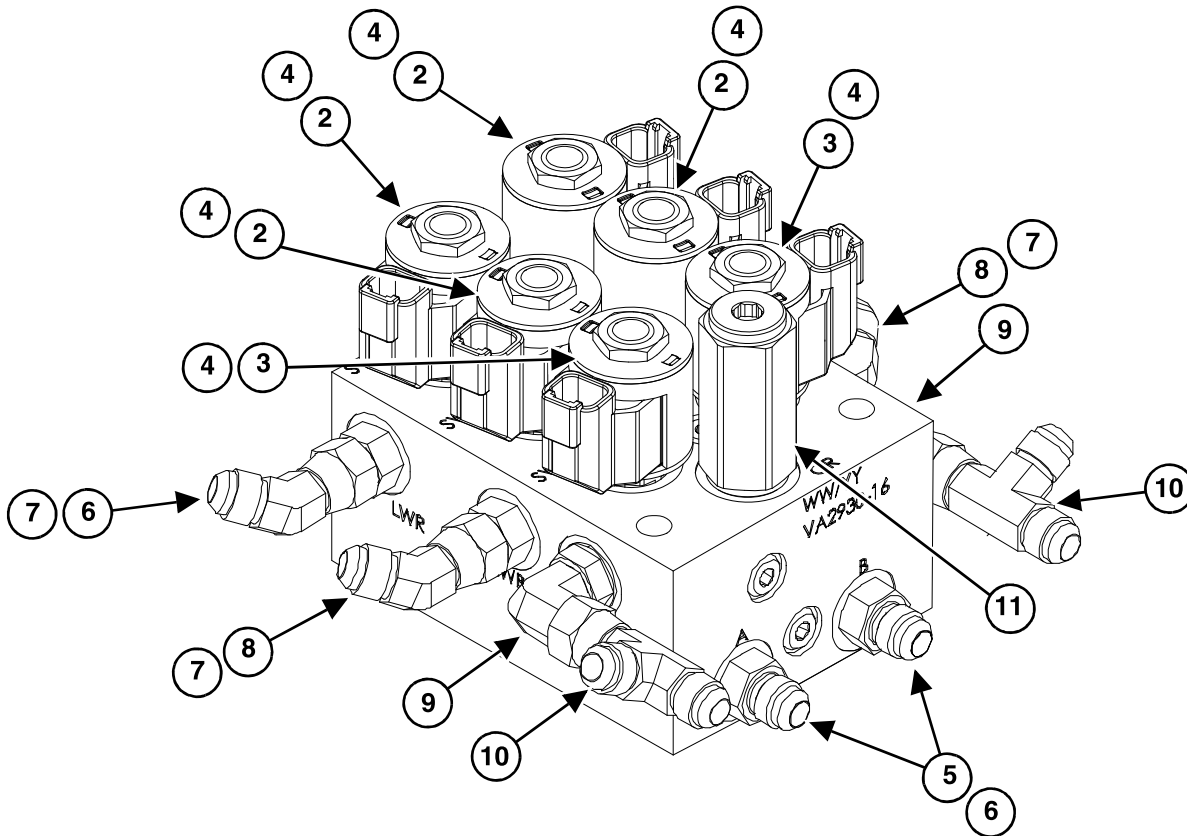
Options

Hydraulic Manifold AutoWing (HD Models)



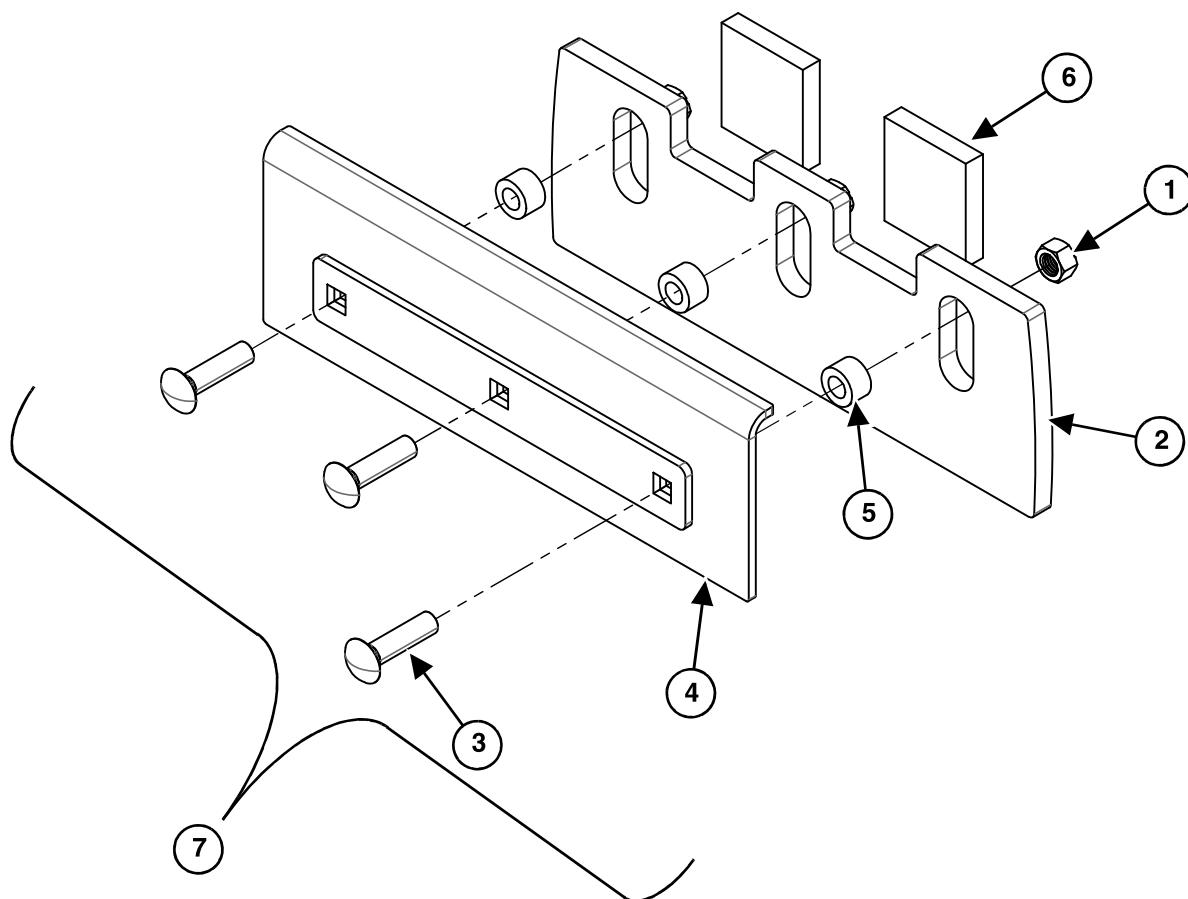
ITEM	PART #	DESCRIPTION	QTY
	P80051-K	MANIFOLD, AUTOWING ASSEMBLY, HD W/VALVES (with fittings)	1
1	P80051	MANIFOLD, AUTOWING, W/VALVES (no fittings)	1
2	P60128	CROSS OVER RELIEF VALVE, 2750 PSI	1
3	P60126	WING CONTROL VALVE, 2250 PSI	2
4	P10130	SLIDING RESTRICTOR, .093	2
5	P60069	FITTING, #6MORB - #6MJIC, STRAIGHT	4
6	P38078	FITTING, #6MJIC - #6 FJIC, 45 DEG	4
7	P60085	FITTING, 90 DEG, #6MORB-#6MJIC	2
8	P81002	FITTING, #6MJIC- #6FMJIX, SWIVEL (RUN TEE)	2
9	P81009	FITTING, STRAIGHT CONNECTOR, RESTRICTED, .095	2

Power Wing Upgrade QPHD-PW (HD Models)



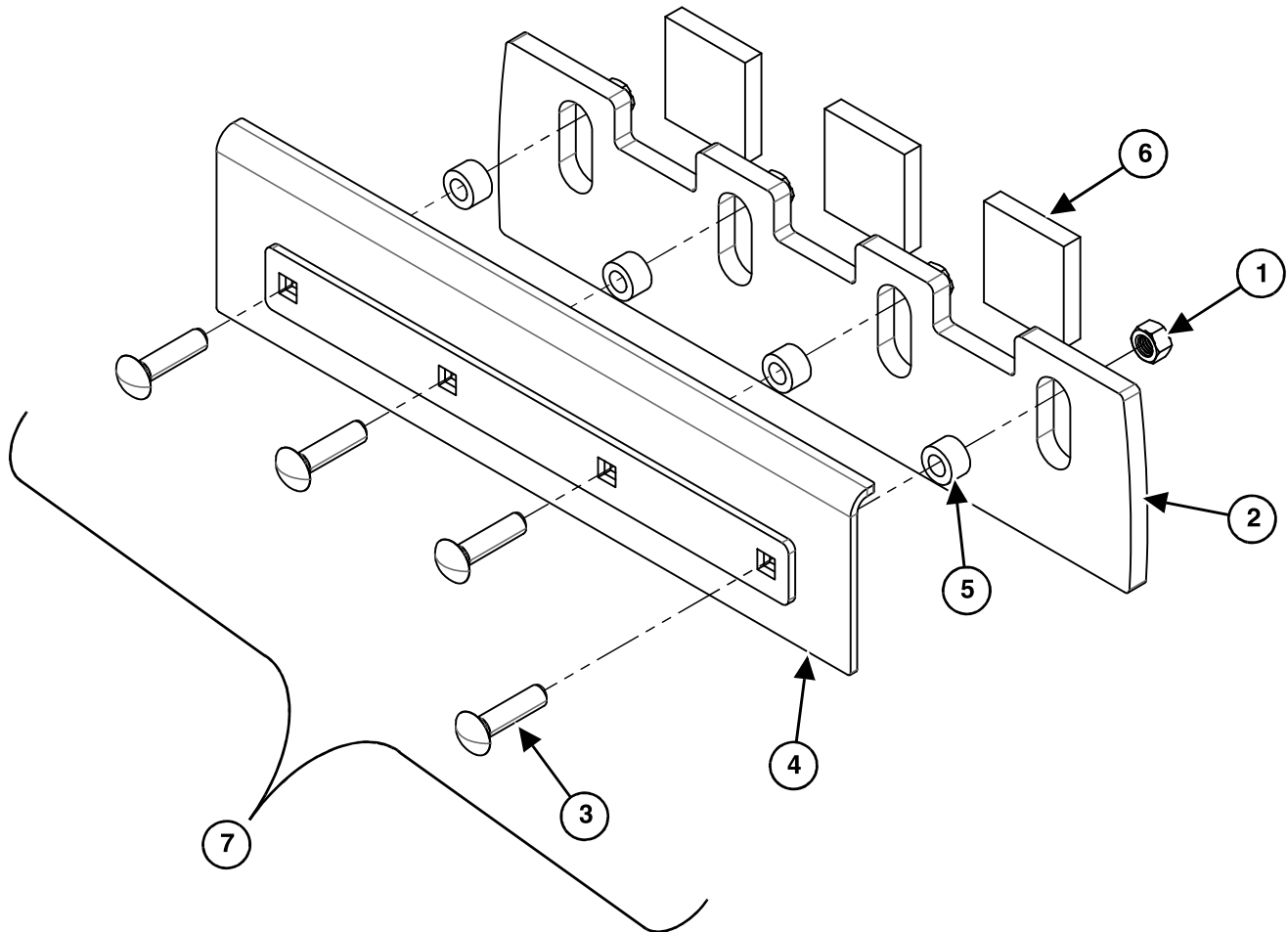
ITEM	PART #	DESCRIPTION	QTY
	P80057-K	MANIFOLD, POWERWING ASSEMBLY W/VALVES (with fittings)	1
NS	MFJC	CONTROLLER, MULTI-FUNCTION	1
1	P80057	MANIFOLD, W/VALVES (no fittings)	1
2	P60125	VALVE, SOLENOID, (for wings only)	4
3	P60124	VALVE, SOLENOID, (for angle only)	2
4	P30033	E-COIL, 12 VDC	6
5	P10130	SLIDING RESTRICTOR, .093	2
6	P60069	FITTING, #6MORB - #6MJIC, STRAIGHT	4
7	P38078	FITTING, 45 DEG, #6MJIC - #6 FJIC	4
8	P81009	FITTING, STRAIGHT CONNECTOR, RESTRICTED, .095	2
9	P60085	FITTING, 90 DEG, #6MORB-#6MJIC	2
10	P81002	FITTING, #6MJIC- #6FMJIX, SWIVEL (RUN TEE)	2
11	P60128	CROSS OVER RELIEF VALVE, 2750 PSI	1

ActivEdge, AR400, 18" Sectional Blade



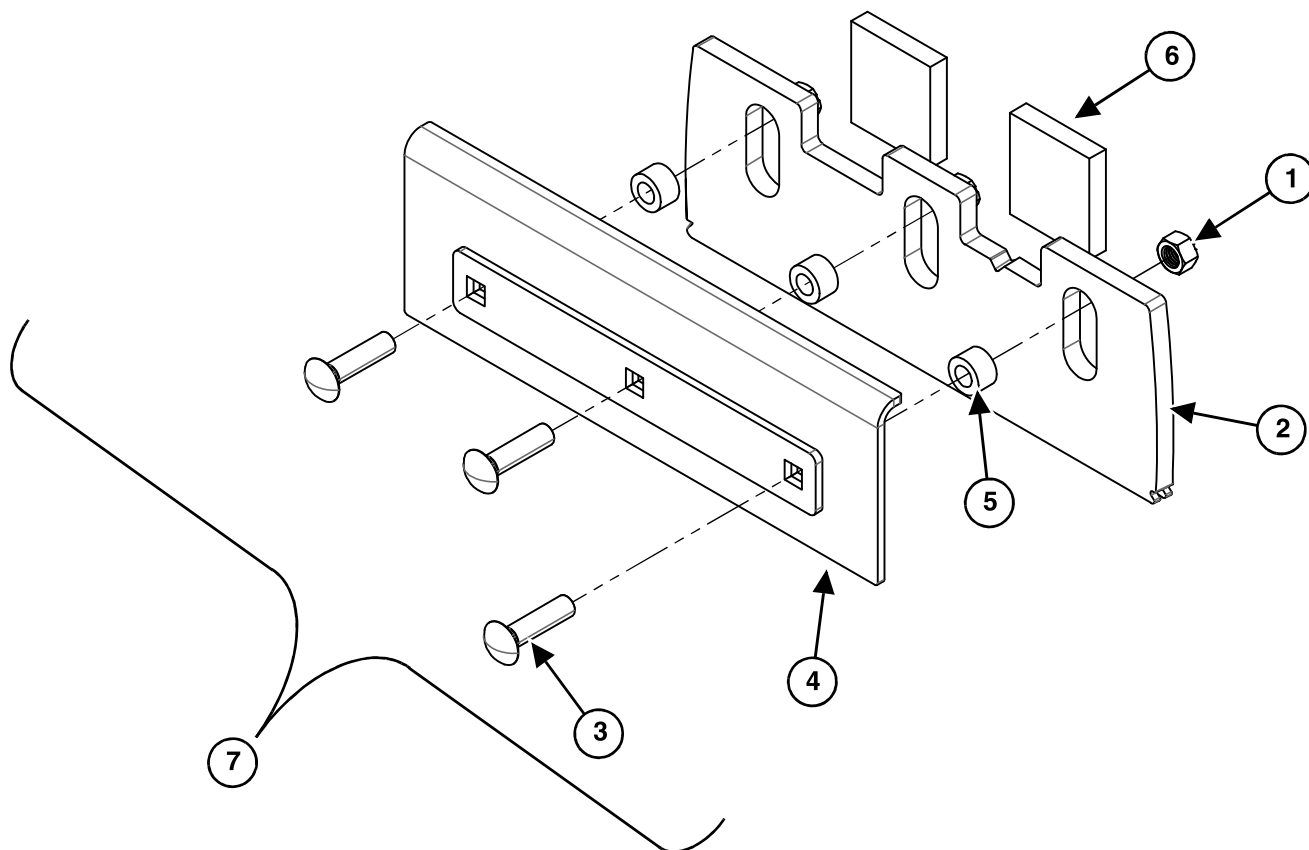
ITEM	PART #	DESCRIPTION	QTY
1	P40012	NUT, LOCK, 5/8-11, ZINC	3
2	P80109	BLADE, 18"	1
3	P80036	BOLT, CARRIAGE, 5/8-11 x 2-1/2"	3
4	P80113	RETAINING WELDMENT, 18"	1
5	P80107	BUSHING, STANOFF	3
6	P80108	SPRING, RUBBER	2
7	P80112-K	KIT, 18" SECTION (kit includes items 1, 2, 3, 4, 5, & 6)	1

ActivEdge, AR400, 24" Sectional Blade



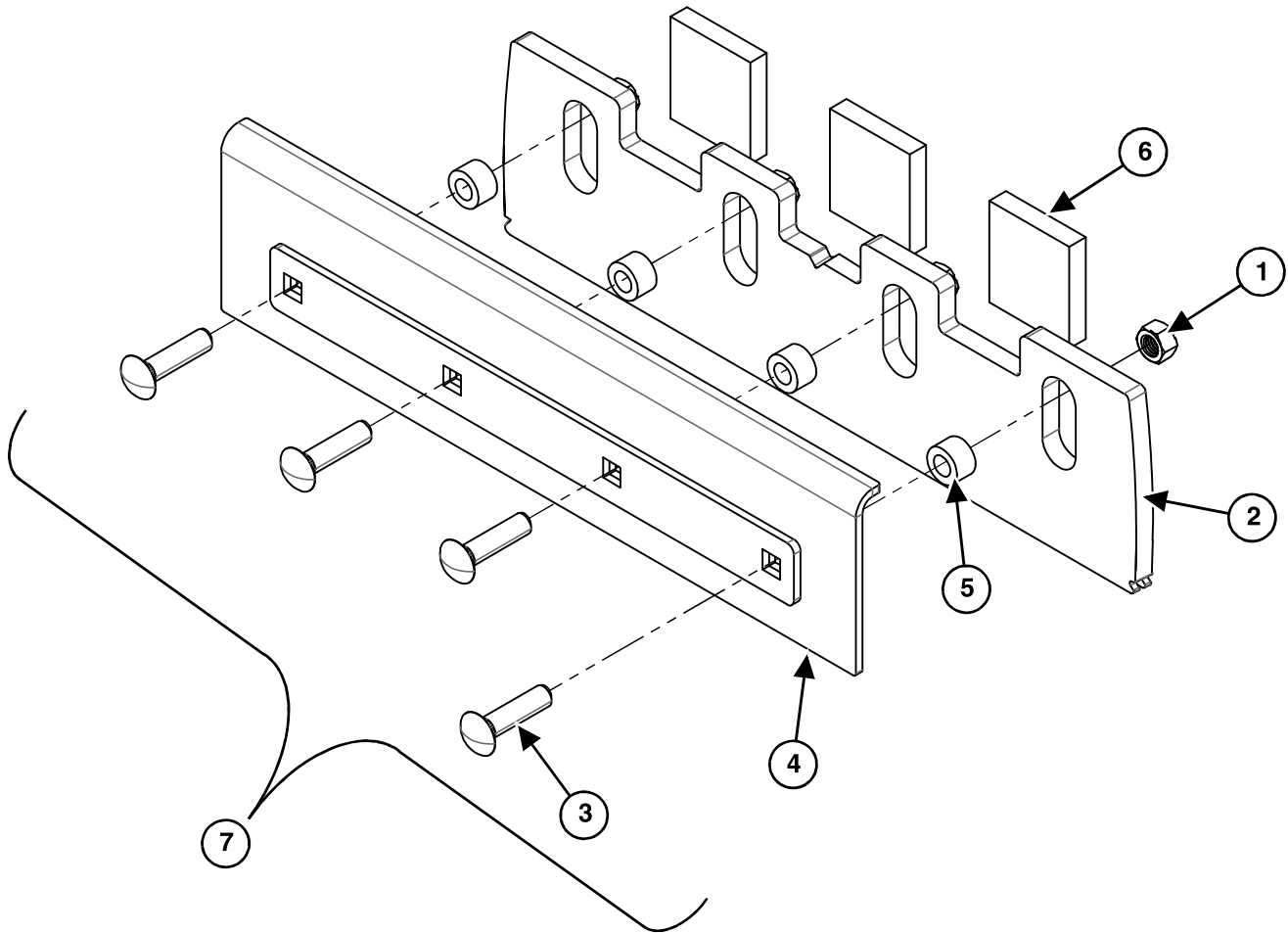
ITEM	PART #	DESCRIPTION	QTY
1	P40012	NUT, LOCK, 5/8-11, ZINC	4
2	P80106	BLADE, 24"	1
3	P80036	BOLT, CARRIAGE, 5/8-11 x 2-1/2"	4
4	P80111	RETAINING WELDMENT, 24"	1
5	P80107	BUSHING, STANOFF	4
6	P80108	SPRING, RUBBER	3
7	P80110-K	KIT, 24" SECTION (kit includes items 1, 2, 3, 4, 5, & 6)	1

ActivEdge, Carbide, AR400, 18" Sectional Blade



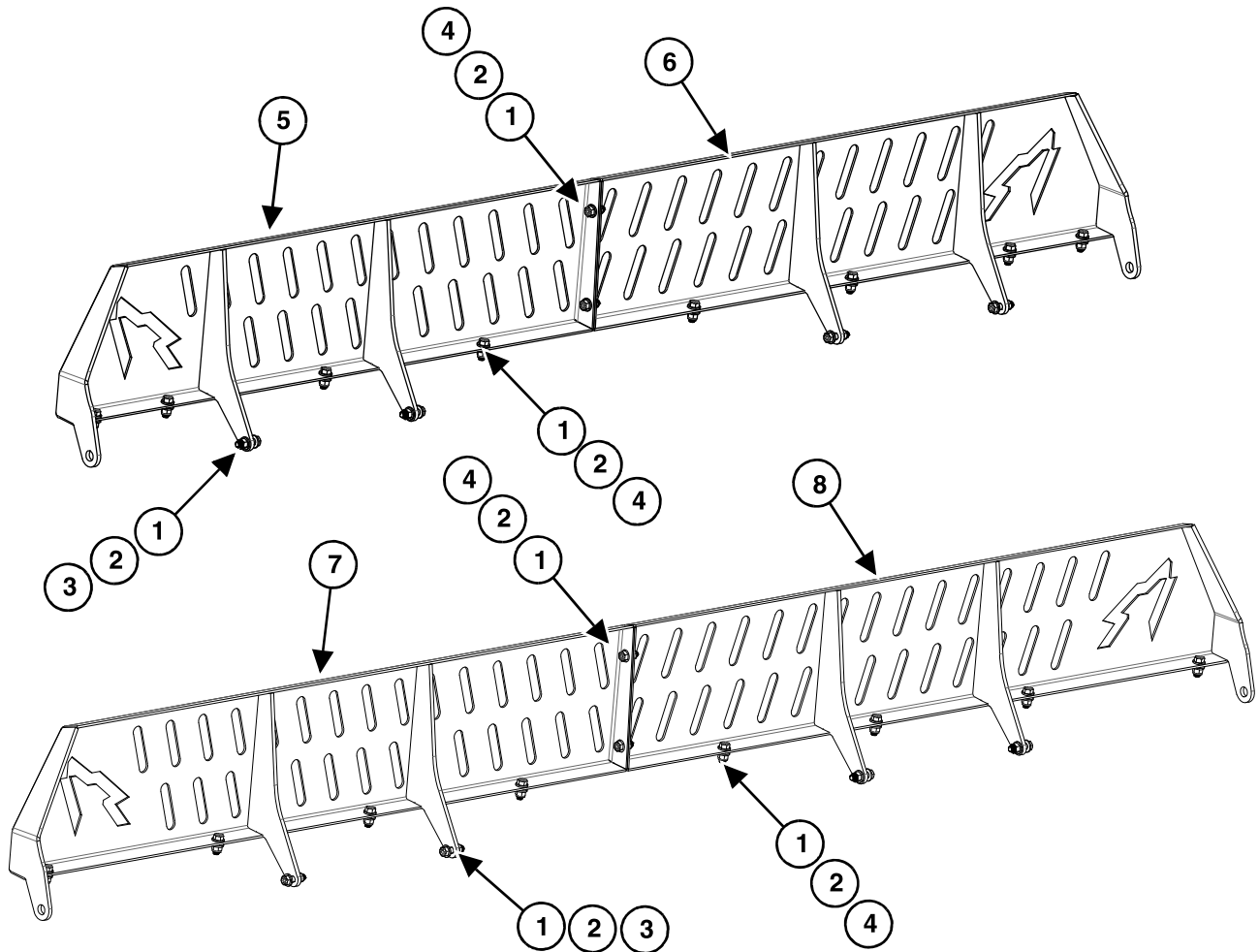
ITEM	PART #	DESCRIPTION	QTY
1	P40012	NUT, LOCK, 5/8-11, ZINC	3
2	P80109-CARB	BLADE, 24"	1
3	P80036	BOLT, CARRIAGE, 5/8-11 x 3"	3
4	P80113	RETAINING WELDMENT, 18"	1
5	P80107	BUSHING, STANDOFF	3
6	P80108	SPRING, FOAM	2
7	P80112-CARB-K	KIT, 18" SECTION (kit includes items 1, 2, 3, 4, 5, & 6)	1

ActivEdge, Carbide, AR400, 24" Sectional Blade

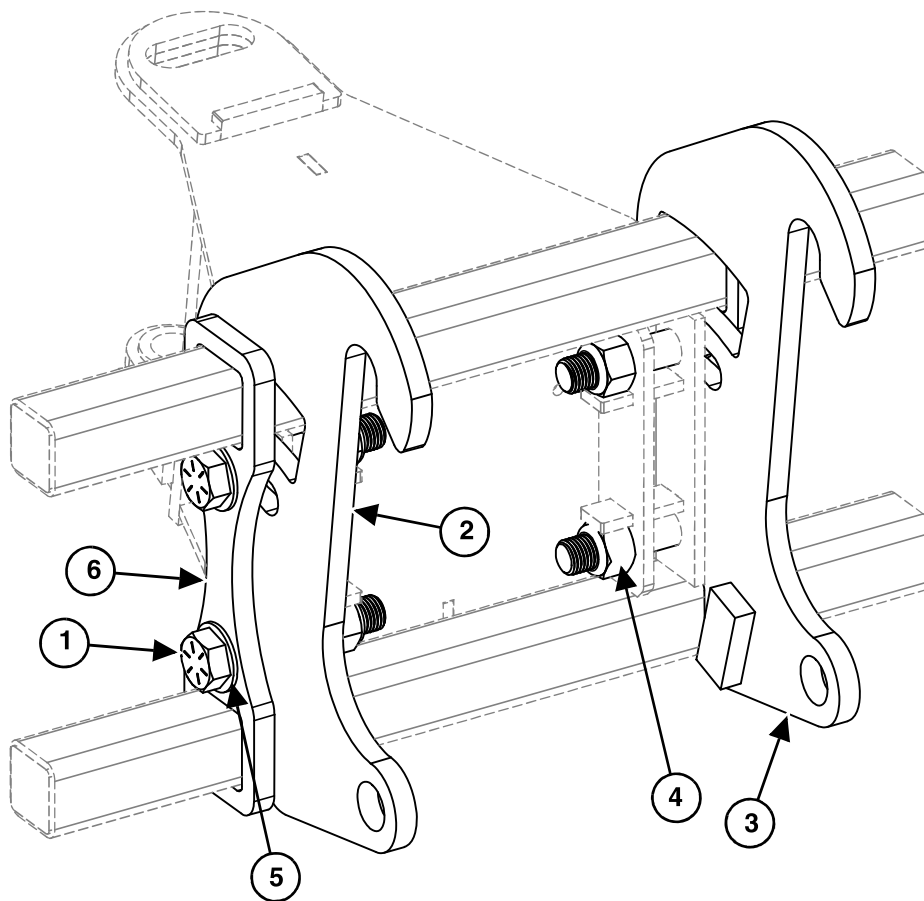


ITEM	PART #	DESCRIPTION	QTY
1	P40012	NUT, LOCK, 5/8-11, ZINC	4
2	P80106-CARB	BLADE, 24"	1
3	P80036	BOLT, CARRIAGE, 5/8-11 x 2-1/2"	4
4	P80111	RETAINING WELDMENT, 24"	1
5	P80107	BUSHING, STANDOFF	4
6	P80108	SPRING, FOAM	3
7	P80110-CARB-K	KIT, 24" SECTION (kit includes items 1, 2, 3, 4, 5, & 6)	1

Spill Guard

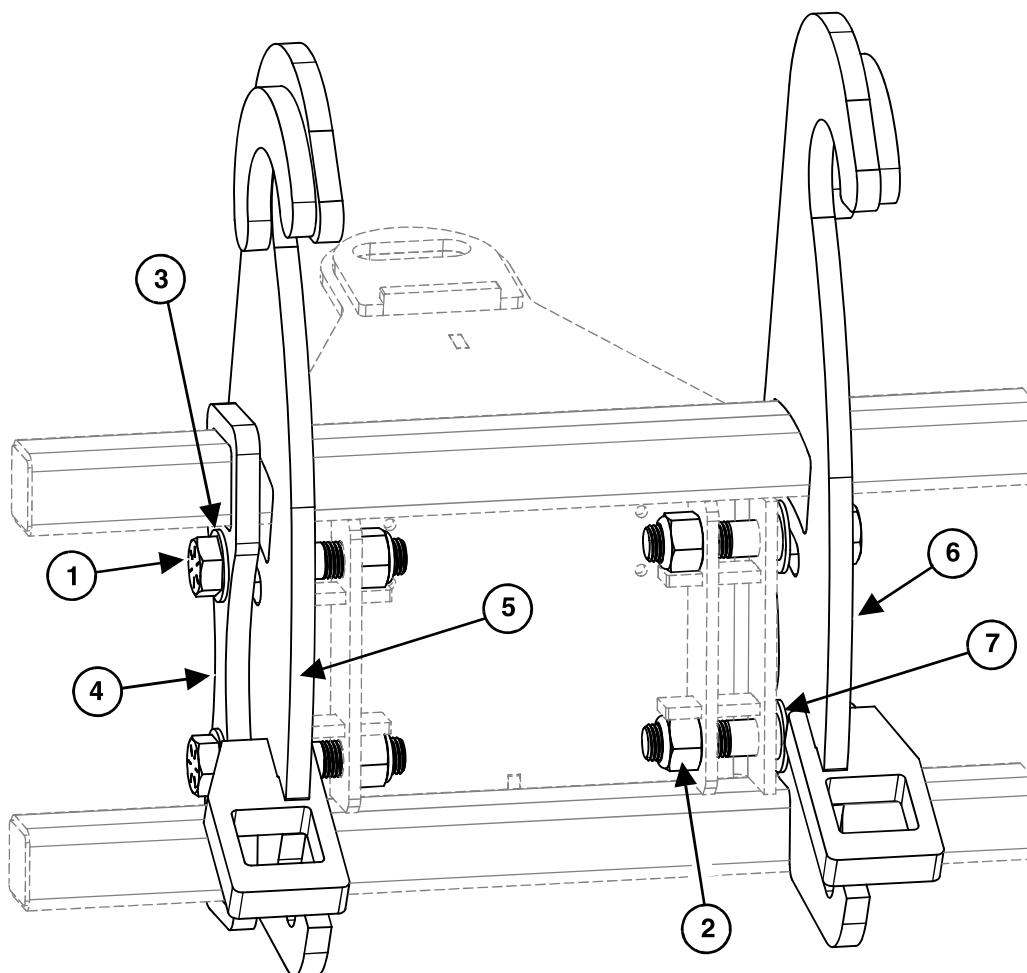


ITEM	PART #	DESCRIPTION	QTY
1	P25045	NUT, LOCK, 1/2"	14
2	P60222	WASHER, FLAT, 1/2" SAE	28
3	P60233	BOLT, 1/2" x 2", GR8	4
4	P60274	BOLT, 1/2" x 1", GR8	10
5	P80102-L	SPILL GUARD, LEFT 10 FT.	1
6	P80102-R	SPILL GUARD, RIGHT 10 FT.	1
7	P80103-L	SPILL GUARD, LEFT 12 FT.	1
8	P80103-R	SPILL GUARD, RIGHT 12 FT.	1

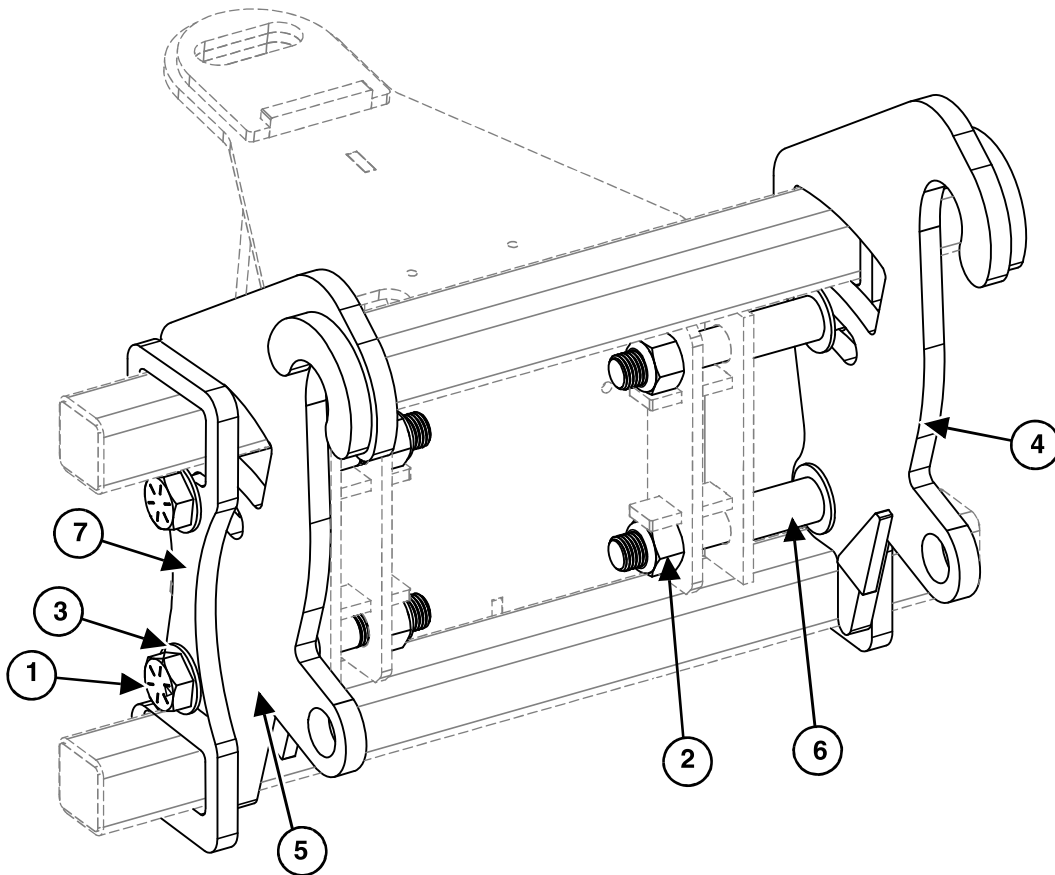
Mount, MT100 Kit, CAT-IT


ITEM	PART #	DESCRIPTION	QTY
1	P80048	BOLT, HEX, 1-1/2"-6 X 8", PLAIN FINISH, GRADE 8	4
2	P80072	MOUNT PLATE, ALPHA CAT IT LEFT SIDE	1
3	P80073	MOUNT PLATE, ALPHA CAT IT RIGHT SIDE	1
4	P80088	NUT, HEX, NYLOCK, 1-1/2"-6	4
5	P80089	WASHER, FLAT, 1-1/2"	4
6	P80096	MOUNTING KEEPER, WISHBONE, MOUNTING PLATE KEEPER	2

Mount, MT200 Kit, CAT-FUSION

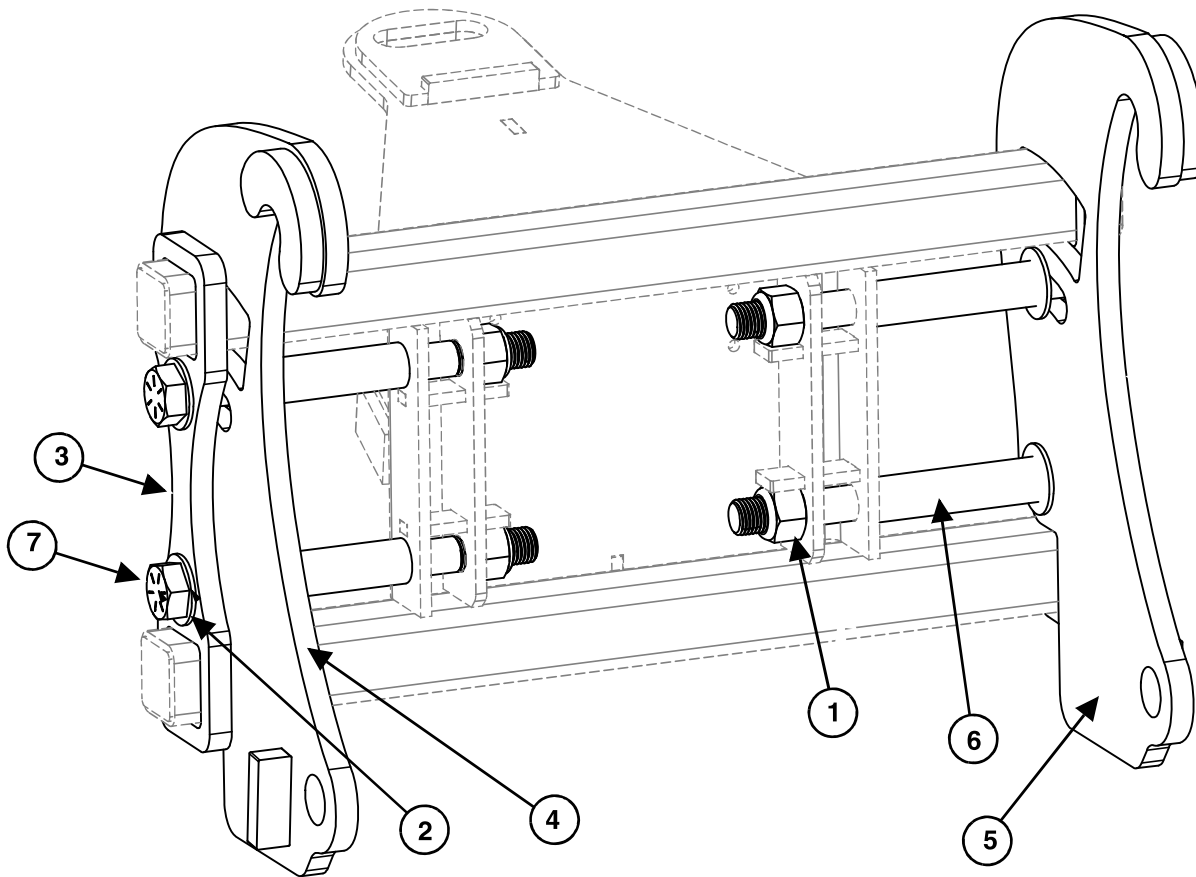


ITEM	PART #	DESCRIPTION	QTY
1	P80048	BOLT, HEX, 1-1/2"-6 X 8", PLAIN FINISH, GRADE 8	4
2	P80088	NUT, HEX, NYLOCK, 1-1/2"-6	4
3	P80088	WASHER, FLAT, 1-1/2"	8
4	P80096	MOUNTING KEEPER, WISHBONE, MOUNTING PLATE KEEPER	2
5	P80094	MOUNT PLATE, CAT FUSION, LEFT HAND	1
6	P80095	MOUNT PLATE, CAT FUSION, RIGHT HAND	1
7	P81008	MOUNT SPACER, CAT FUSION	4

Mount, MT300 Kit, JRB-416


ITEM	PART #	DESCRIPTION	QTY
1	P80053	BOLT, HEX, 1-1/2"-6 X 12", PLAIN FINISH, GRADE 8	4
2	P80088	NUT, HEX, NYLOCK, 1-1/2"-6	4
3	P80089	WASHER, FLAT, 1-1/2"	8
4	P80090	MOUNT PLATE, JRB, RIGHT HAND	1
5	P80091	MOUNT PLATE, JRB, LEFT HAND	1
6	P80092	MOUNT SPACER, JRB	4
7	P80096	MOUNTING KEEPER, WISHBONE, MOUNTING PLATE KEEPER	2

Mount, MT500 Kit, VOLVO



ITEM	PART #	DESCRIPTION	QTY
1	P80088	NUT, HEX, NYLOCK, 1-1/2"-6	4
2	P80089	WASHER, FLAT, 1-1/2"	8
3	P80096	MOUNTING KEEPER, WISHBONE, MOUNTING PLATE KEEPER	2
4	P80098	MOUNT PLATE, VOLVO, LEFT HAND	1
5	P80099	MOUNT PLATE, VOLVO, RIGHT HAND	1
6	P81005	MOUNT SPACER, VOLVO	4
7	P81006	BOLT, HEX, 1-1/2"-6 X 16", PLAIN FINISH	4