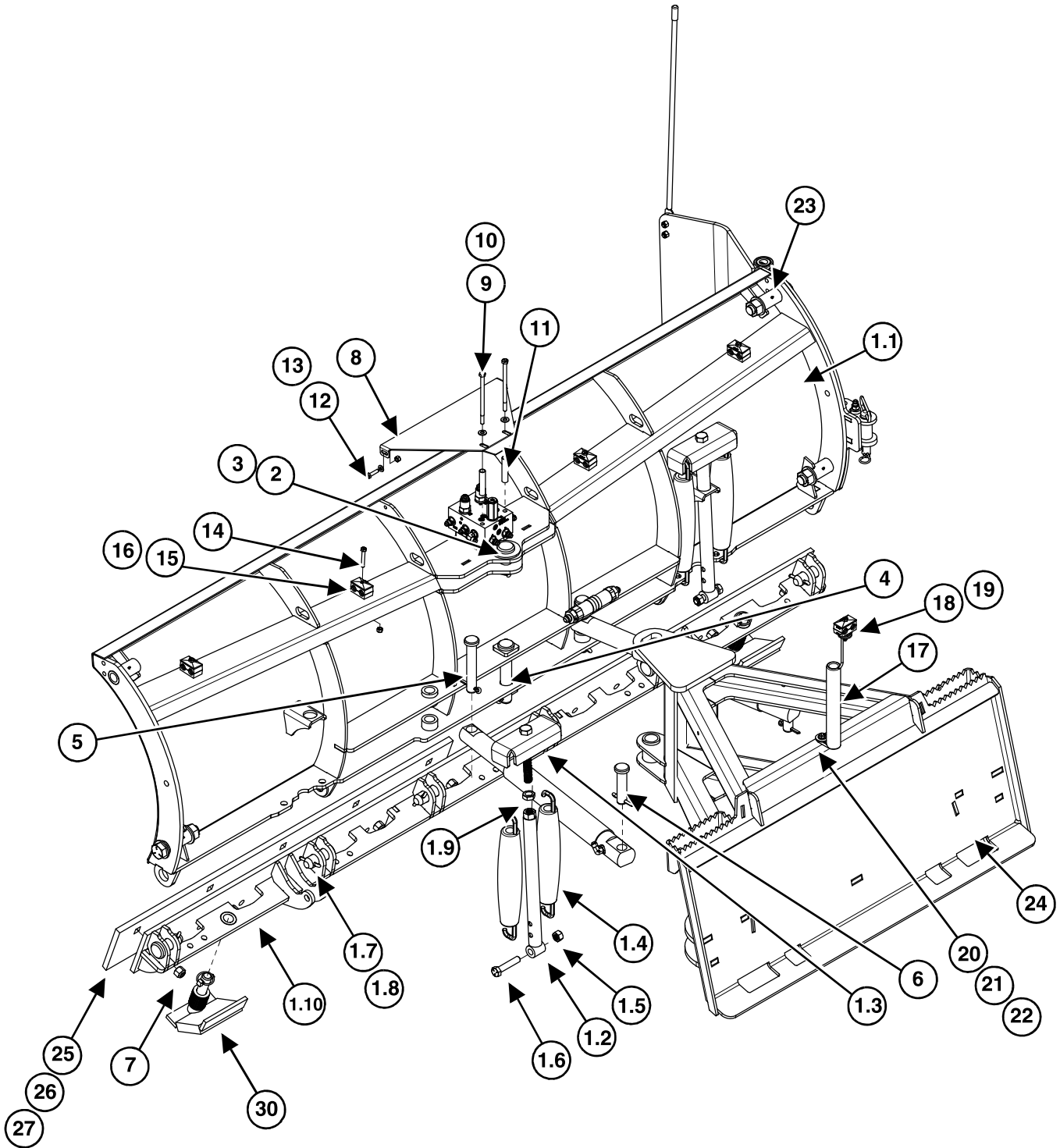


Models QP102, QP114, QP126, QP138

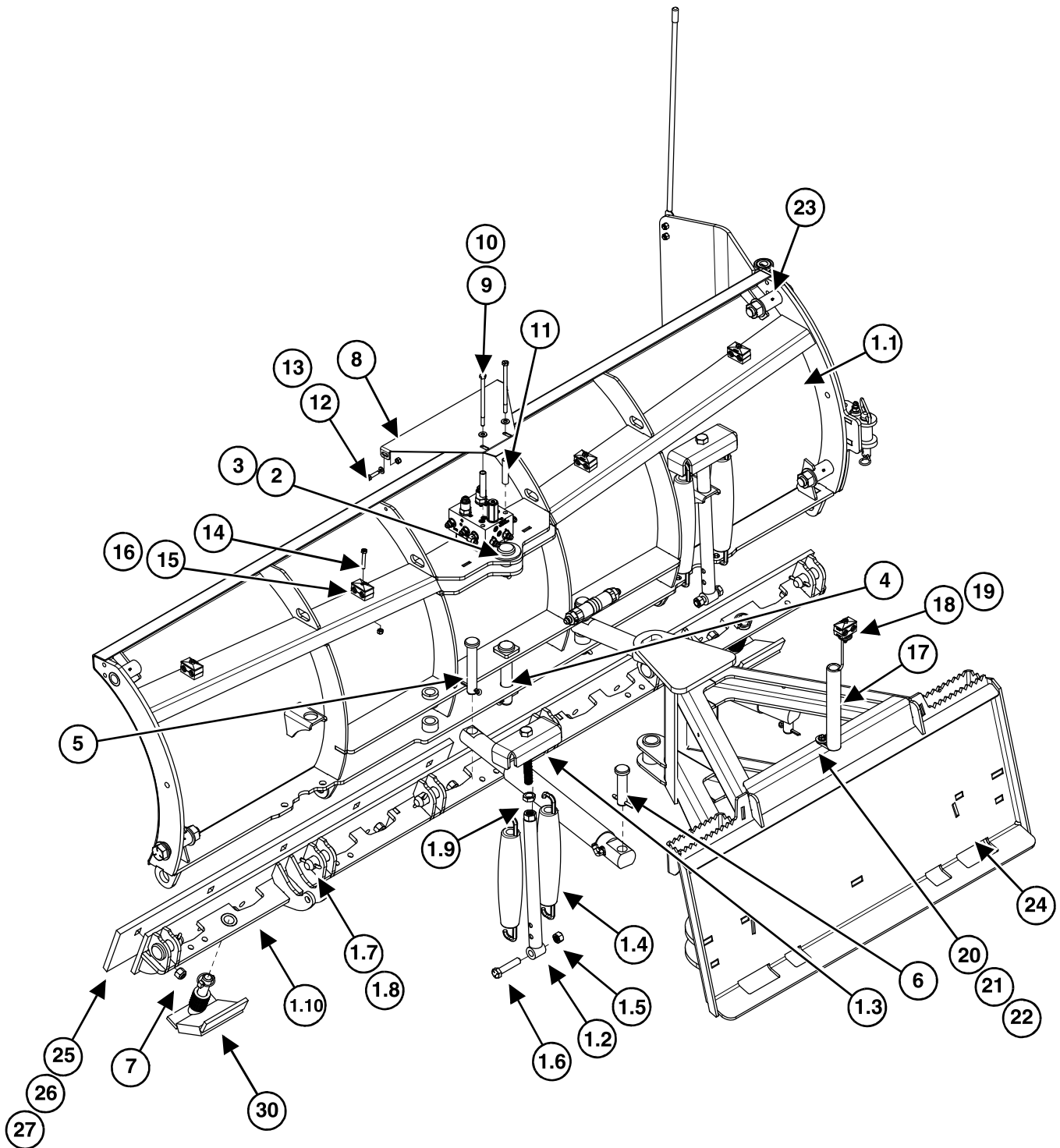
Parts



ITEM	PART #	DESCRIPTION	QP-102 QTY	QP-114 QTY	QP-126 QTY	QP-138 QTY
1	P40084	BLADE ASSEMBLY, QP-102	1	0	0	0
	P40096	BLADE ASSEMBLY, QP-114	0	1	0	0
	P40108	BLADE ASSEMBLY, QP-126	0	0	1	0
	P40120	BLADE ASSEMBLY, QP-138	0	0	0	1
1.1	P40015	BLADE WELDMENT ONLY, (NO SPRINGS OR TRIP EDGE)	1	0	0	0
	P40016	BLADE WELDMENT ONLY, (NO SPRINGS OR TRIP EDGE)	0	1	0	0
	P40017	BLADE WELDMENT ONLY, (NO SPRINGS OR TRIP EDGE)	0	0	1	0
	P40018	BLADE WELDMENT ONLY, (NO SPRINGS OR TRIP EDGE)	0	0	0	1
1.2	P40026	SPRING ADJUSTMENT ROD ASM	2	2	2	2
1.3	P40009-B	SPRING ADJUSTMENT ASM	2	2	2	2
1.4	P40010B	SPRING, TRIP, 6'-10' NEW STYLE	4	4	4	4
1.5	P40012	NUT, LOCK, 5/8-11, ZINC, GR C	2	2	2	2
1.6	P40013	BOLT, HEX, 5/8-11 x 3, YELLOW ZINC, GRAD	2	2	2	2
1.7	P40006	PIN, UPPER PIVOT/TRIP EDGE 1-3/16" x 3"	6	6	6	8
1.8	P40007	PIN, COTTER, 1/4" x 2", ZINC	6	6	6	8
1.9	P60242	NUT, JAM, 3/4-10, ZINC	2	2	2	2
1.10	P40002-L	TRIP EDGE WELDMENT 7FT	1	0	0	0
	P40002-M	TRIP EDGE WELDMENT 8FT	0	1	0	0
	P40002-N	TRIP EDGE WELDMENT 9FT	0	0	1	0
	P40002-O	TRIP EDGE WELDMENT 10FT	0	0	0	1
2	P40006	PIN, UPPER PIVOT/TRIP EDGE 1-3/16" x 3"	1	1	1	1
3	P40007	PIN, COTTER, 1/4" x 2", ZINC	1	1	1	1
4	P50003	PIN, LOWER PIVOT 1-1/8" x 6-3/4"	1	1	1	1
5	P50004	PIN, RAM ANCHOR (BLADE END) 1" x 6"	2	2	2	2
6	P50005	PIN, RAM ANCHOR (FRAME END) 1" x 4"	2	2	2	2
7	P60030	NUT, HEX, NYLOCK, 5/8-11, ZINC	9	10	12	12
8	P60071	MANIFOLD SHROUD	1	1	1	1
9	P60087	BOLT, HEX, 3/8" x 6"	2	2	2	2
10	P60088	WASHER, FLAT, 3/8" SAE, ZINC	3	3	3	3
11	P60089	MANIFOLD SHROUD BOLT SPACER	2	2	2	2
12	P60092	WASHER, FLAT, 5/16" SAE	3	3	3	3

Models QP102, QP114, QP126, QP138 (Cont'd)

Parts (Cont'd)



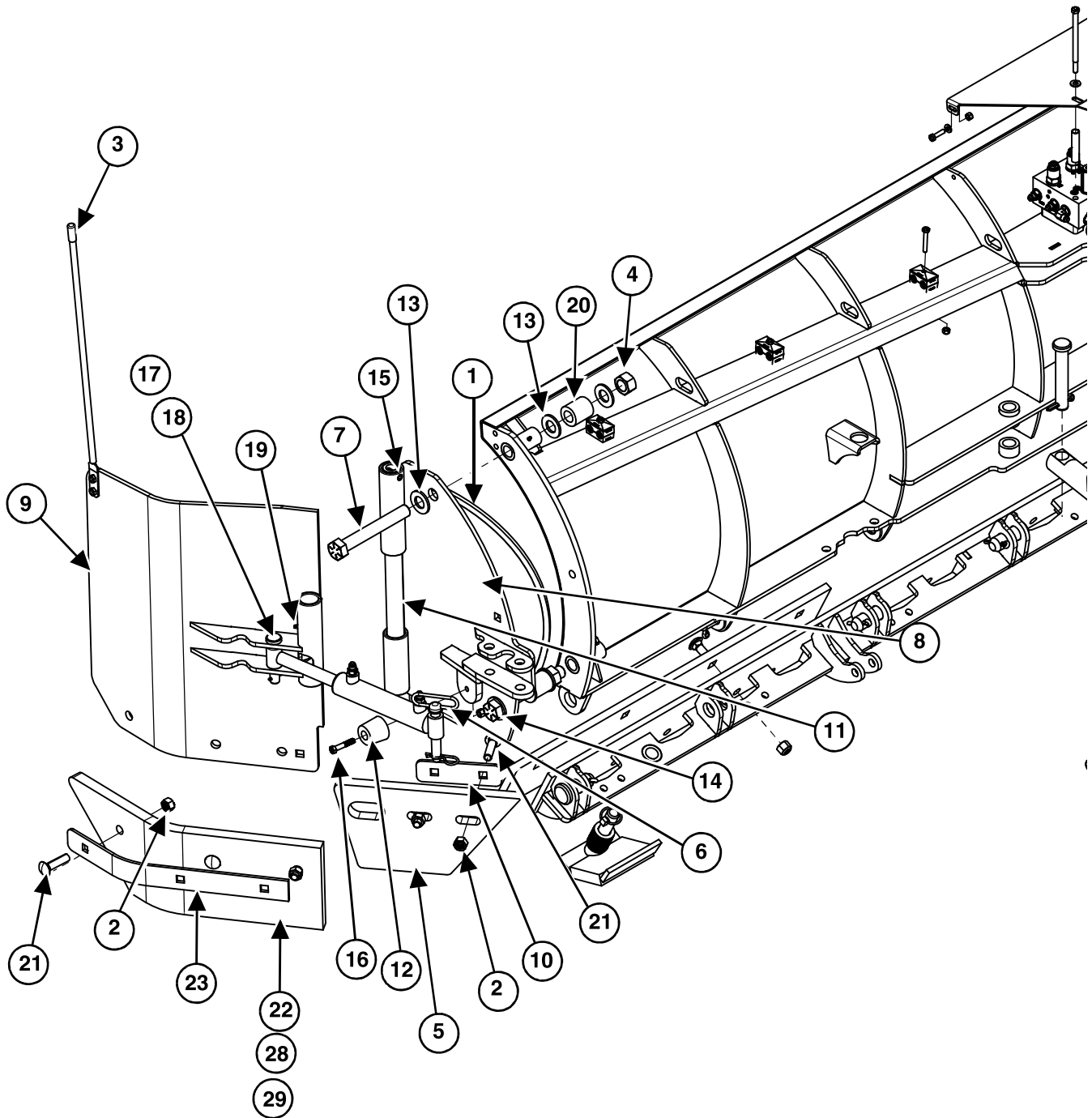
ITEM	PART #	DESCRIPTION	QP-102 QTY	QP-114 QTY	QP-126 QTY	QP-138 QTY
13	P60214	BOLT, HEX, 5/16-18 x 1-1/4", ZINC, GR 5	2	2	2	2
14	P60215	BOLT, CARRIAGE, 5/16 x 2" ZINC, GR 5	4	4	4	5
15	P60159	HOSE CLAMP	5	5	5	7
16	P60160	PLATE, HOSE CLAMP	5	5	5	7
17	P60084	SPRING, HOSE HOLDER	1	1	1	1
18	P60090	NUT, HEX, NYLOCK, 5/16"-18	7	7	7	7
19	P60094	BOLT, HEX, 5/16-18 x 2-1/2 ZINC PLATED, GR 5	1	1	1	1
20	P60209	WASHER, FLAT, 1/2" USS, ZINC	3	3	3	3
21	P60210	BOLT, HEX, 3/8" x 1-1/4"	1	1	1	1
22	P60211	NUT, HEX, NYLOCK, 3/8", GR 8	3	3	3	3
23	P25562	GREASE ZERK, 3/16" POUND IN	4	4	4	4
For Items above 23: See "Options (QP Models)" on page 42.						
For hydraulic hoses: See "Hydraulic Hoses (QP Models)" on page 46.						
For hydraulic components: See "Hydraulic Components (QP Models)" on page 47.						

Options (QP Models)

ITEM	PART #	DESCRIPTION	QP-102 QTY	QP-114 QTY	QP-126 QTY	QP-138 QTY
FRAME (OPTION)						
24	P50020	FLEX FRAME, ASSY, SEE PAGE 68	1	1	1	1
	P50031	THREE-POINT FRAME	1	1	1	1
	P60000-1	A-FRAME	1	1	1	1
MAIN EDGE - (See Trip Edges on page 48)						
Steel Options						
25	P50011-C	CENTER PUNCH CUTTING EDGE KIT, 7', WITH HARDWARE (GEN 1, 2 OR 3 TRIP EDGE)	1	0	0	0
	P50011-E	CENTER PUNCH CUTTING EDGE KIT, 8', WITH HARDWARE (GEN 1, 2 OR 3 TRIP EDGE)	0	1	0	0
	P50011-G	CENTER PUNCH CUTTING EDGE KIT, 9', WITH HARDWARE (GEN 1, 2 OR 3 TRIP EDGE)	0	0	1	0
	P50011-H	CENTER PUNCH CUTTING EDGE KIT, 10', WITH HARDWARE (GEN 1, 2 OR 3 TRIP EDGE)	0	0	0	1
26	P50011-L	TOP PUNCH CUTTING EDGE KIT, 7', WITH HARDWARE (GEN 4 OR 5 TRIP EDGE)	1	0	0	0
	P50011-M	TOP PUNCH CUTTING EDGE KIT, 8', WITH HARDWARE (GEN 4 OR 5 TRIP EDGE)	0	1	0	0
	P50011-N	TOP PUNCH CUTTING EDGE KIT, 9', WITH HARDWARE (GEN 4 OR 5 TRIP EDGE)	0	0	1	0
	P50011-O	TOP PUNCH CUTTING EDGE KIT, 10', WITH HARDWARE (GEN 4 OR 5 TRIP EDGE)	0	0	0	1
SoftTouch Options - (Works with any Trip Edge)						
27	P50012-C1	7' SOFTTOUCH CUTTING EDGE KIT WITH HARDWARE	1	0	0	0
	P50012-E1	8' SOFTTOUCH CUTTING EDGE KIT WITH HARDWARE	0	1	0	0
	P50012-G1	9' SOFTTOUCH CUTTING EDGE KIT WITH HARDWARE	0	0	1	0
	P50012-H1	10' SOFTTOUCH CUTTING EDGE KIT WITH HARDWARE	0	0	0	1
ActivEdge, AR400, SEE PAGES 63 & 64						
NS	P50011-L-REK	7' ActivEdge CUTTING KIT WITH HARDWARE	1	0	0	0
NS	P50011-M-REK	8' ActivEdge CUTTING KIT WITH HARDWARE	0	1	0	0
NS	P50011-N-REK	9' ActivEdge CUTTING KIT WITH HARDWARE	0	0	1	0
NS	P50011-O-REK	10' ActivEdge CUTTING KIT WITH HARDWARE	0	0	0	1

ITEM	PART #	DESCRIPTION	QP-102 QTY	QP-114 QTY	QP-126 QTY	QP-138 QTY
	CARBIDE ActivEdge, AR400 WITH CARBIDE, SEE PAGES 65 & 66					
NS	P50014-L-REK	7' ActivEdge CUTTING KIT WITH HARDWARE	1	0	0	0
NS	P50014-M-REK	8' ActivEdge CUTTING KIT WITH HARDWARE	0	1	0	0
NS	P50014-N-REK	9' ActivEdge CUTTING KIT WITH HARDWARE	0	0	1	0
NS	P50014-O-REK	10' ActivEdge CUTTING KIT WITH HARDWARE, SEE PAGE 64	0	0	0	1
POLY WING EDGE KIT (P60050 - KIT)						
28	P40012	NUT, LOCK, 5/8-11, ZINC, GR C	2	2	2	2
	P60008	BOLT, CARRIAGE, 5/8-11 x 2-1/2"	2	2	2	2
	P60051	URETHANE CUTTING EDGE	2	2	2	2
	P60101	HOLD DOWN STRIP, OUTSIDE URETHANE EDGE	2	2	2	2
	P60052	CUTTING EDGE, URETHANE, REAR LEFT OR RIGHT	2	2	2	2
	P60100	HOLD DOWN STRIP, INSIDE URETHANE EDGE	2	2	2	2
STEEL WING EDGE KIT (P60023 - KIT)						
29	P20028	NUT, LOCK, 3/4-10, GR C	6	6	6	6
	P30051	WASHER, FLAT, 3/4 SAE	6	6	6	6
	P60013	WING EDGE, STEEL, LEFT SIDE	1	1	1	1
	P60014	WING EDGE, STEEL, RIGHT SIDE	1	1	1	1
	P60015	WASHER, CUSTOM, 2.25", STEEL EDGE	6	6	6	6
	P60016	BUSHING, 1.25" x .90", STEEL EDGE	6	6	6	6
	P60095	WASHER, FLAT 3/4" USS	6	6	6	6
	P80039	BOLT, HEX, 3/4-10 x 2-1/2", GR 8	6	6	6	6
	P60052	CUTTING EDGE, URETHANE, REAR LEFT OR RIGHT	2	2	2	2
P60100	HOLD DOWN STRIP, INSIDE URETHANE EDGE	2	2	2	2	
WEAR SHOES (P40003-K - KIT)						
30	P40003	WELDMENT, WEAR SHOE, W/ SPACERS & KLIK PINS	2	2	2	2
POWER WING MANIFOLD (OPTION) (See page 62)						
NS	QP-PW	POWERWING MANIFOLD WITH FITTINGS AND DIODE HARNESS	1	1	1	1
AUTOWING MANIFOLD (OPTION) (See page 61)						
NS	P60068-K	AUTOWING MANIFOLD WITH FITTINGS	1	1	1	1
SPILL GUARD (OPTION)						
NS	P60245	SPILL GUARD 7'	1	0	0	0
NS	P60246	SPILL GUARD 8'	0	1	0	0
NS	P60247	SPILL GUARD 9'	0	0	1	0
NS	P60248	SPILL GUARD 10'	0	0	0	1

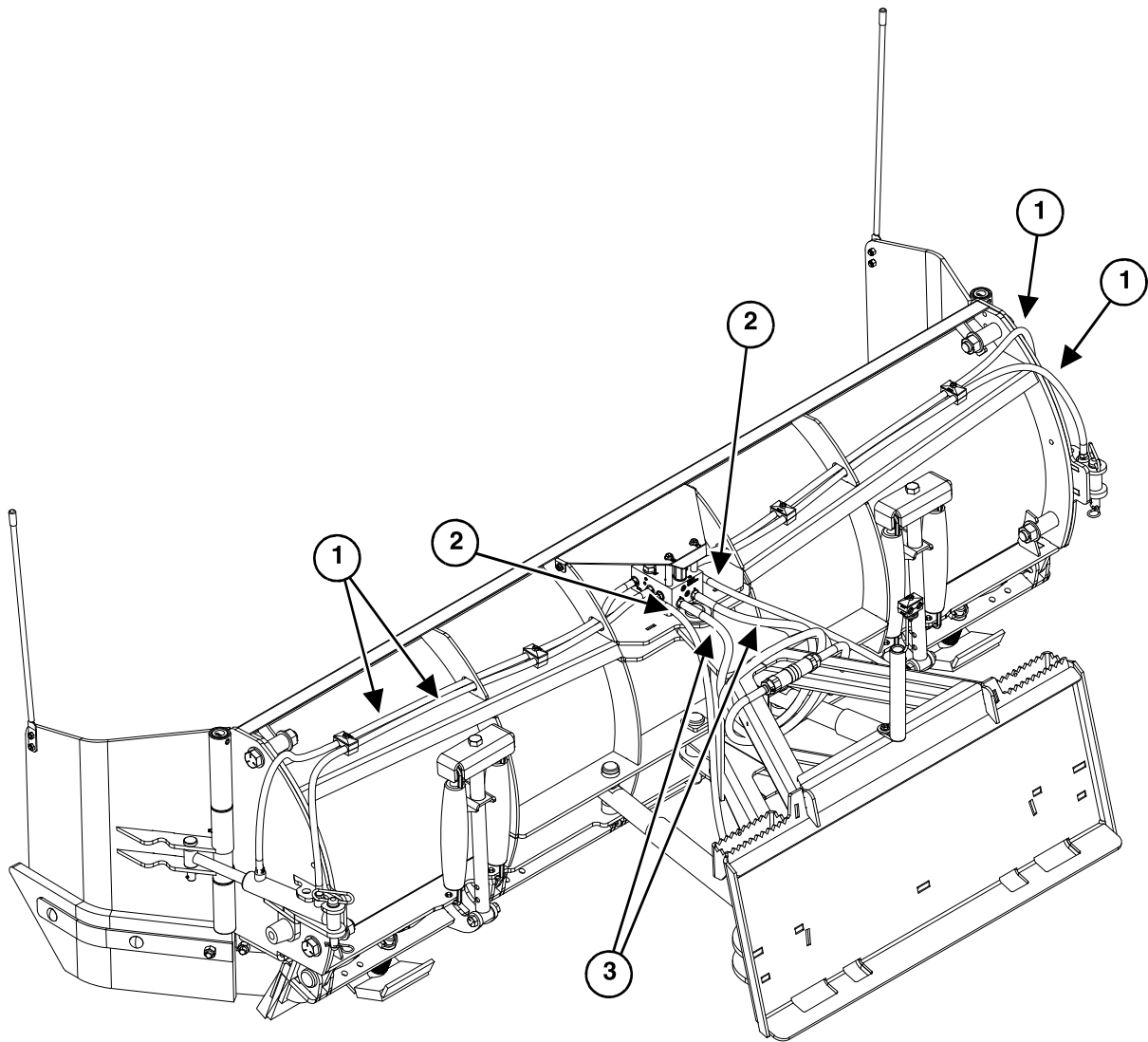
Side Wing (QP Models)



ITEM	PART #	DESCRIPTION	QTY
1	P38221	RUBBER-LOK TRIM 1/4"	2
*2	P40012	NUT, LOCK, 5/8-11, ZINC, GR C	10
3	P50001	BLADE MARKER GUIDE SET	2
4	P60024	NUT, LOCK, 1-8, ZINC, GR C	4
*5	P60052	CUTTING EDGE, URETHANE, REAR LEFT OR RIGHT	2
6	P60057	PIN, WING CYLINDER D HANDLE (HITCH PIN), W/QUICK CLIP	2
7	P20041	PIVOT BOLT, HEX, 1"- 8 x 7.5"	2
8	P60097	LH WING REAR WELDMENT	1
9	P60098	LH WING FRONT WELDMENT	1
NS	P60061	RH WING REAR WELDMENT (NOT SHOWN)	1
NS	P60062	RH WING FRONT WELDMENT (NOT SHOWN)	1
*10	P60100	HOLD DOWN STRIP, INSIDE URETHANE EDGE	2
11	P60102	PIN, HINGE	2
12	P60158	WING BUMP STOP, 2"W x 1-3/4"H, 3/8" BOLT DIA	2
13	P60206	WASHER, FLAT, 1" SAE, YELLOW ZINC, GR 8	12
14	P60211	NUT, HEX, NYLOCK, 3/8", YELLOW ZINC, GR 8	3
15	P60227	PIN, ROLL, 1/2 x 2"	2
16	P60235	BOLT, HEX, 3/8" x 2", YELLOW ZINC, GR 8	2
17	P20029	PIN, 3/4" x 4"	2
18	P60230	PIN, COTTER, 5/32" x 1-1/4"	2
19	P25562	GREASE ZERK, 3/16" POUND IN	2
20	P60205	SPACER, URETHANE	4
*21	P60008	BOLT, CARRIAGE, 5/8-11 x 2-1/2"	10
*22	P60051	URETHANE CUTTING EDGE	2
*23	P60101	HOLD DOWN STRIP, OUTSIDE URETHANE EDGE	2
For items above 23: See "Options" on page 43.			
* Items included in kit on page 43.			

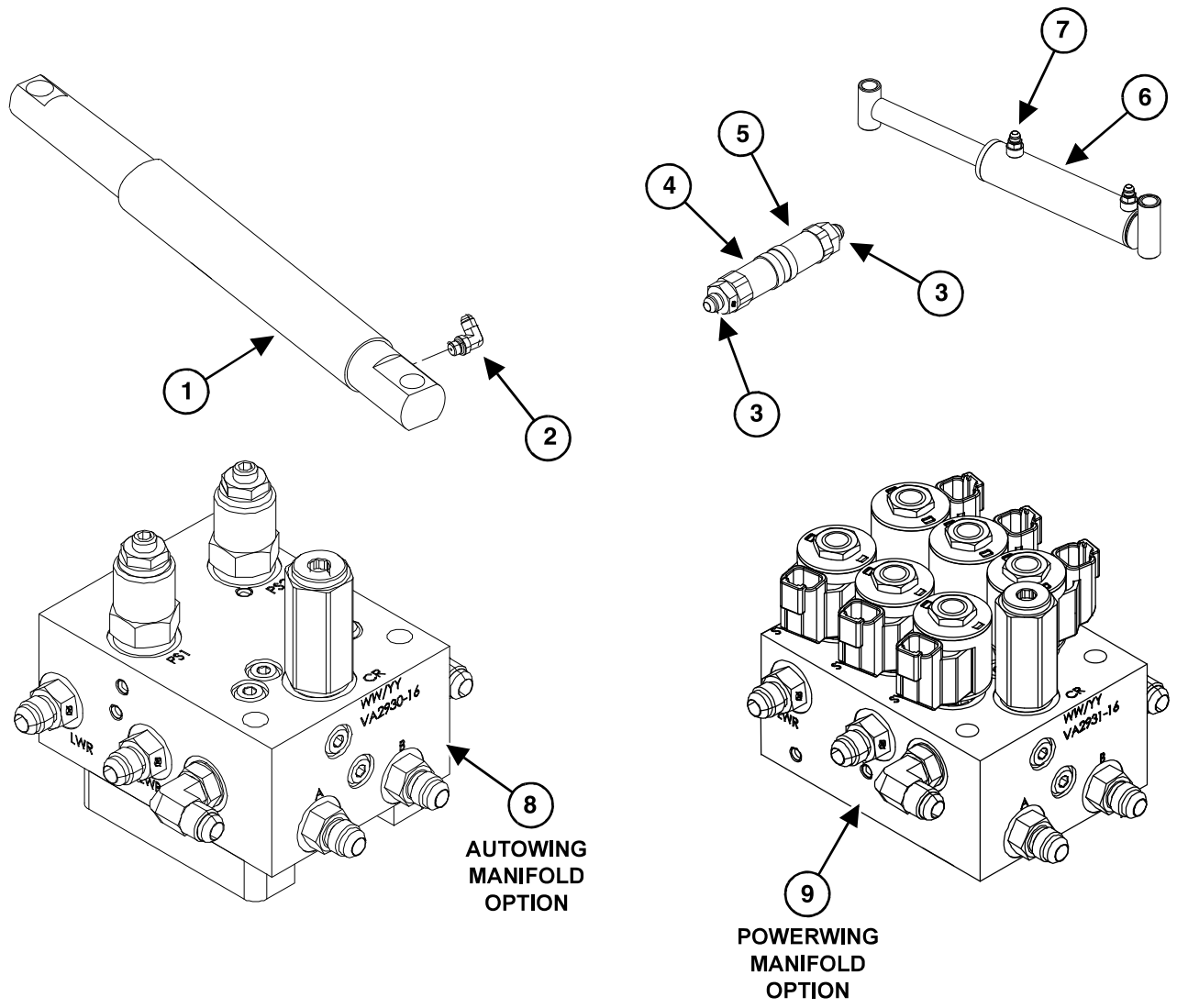
Hydraulics QP102, QP114, QP126, QP138

Hydraulic Hoses (QP Models)



ITEM	PART #	DESCRIPTION	QP-102 QTY	QP-114 QTY	QP-126 QTY	QP-138 QTY
1	P60072	HOSE, 3/8" x 58", 3000 PSI, 6FJIC-6FJIC	4	-	-	-
	P60074	HOSE, 3/8" x 60", 3000 PSI, 6FJIC-6FJIC	-	4	-	-
	P60076	HOSE, 3/8" x 66", 3000 PSI, 6FJIC-6FJIC	-	-	4	-
	P60078	HOSE, 3/8" x 72", 3000 PSI, 6FJIC-6FJIC	-	-	-	4
2	P60082	HOSE, 3/8" x 38", 3000 PSI, 6FJIC-6FJIC	2	2	2	2
3	P50008	HOSE, 3/8" x 78", 3000 PSI, 6FJIC-8FJIC	2	2	2	2

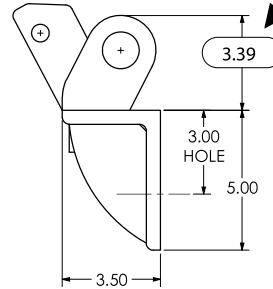
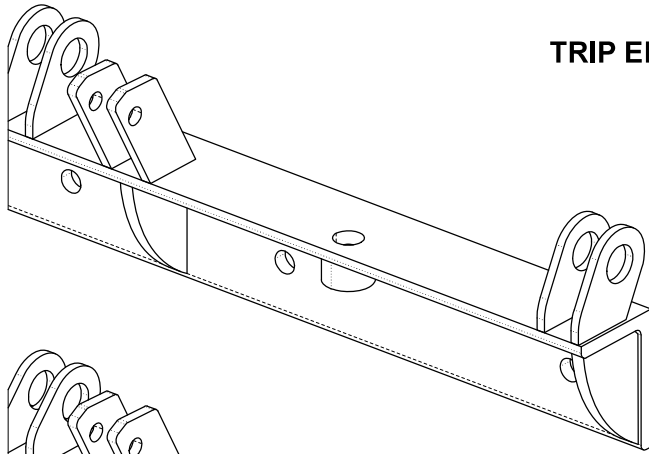
Hydraulic Components (QP Models)



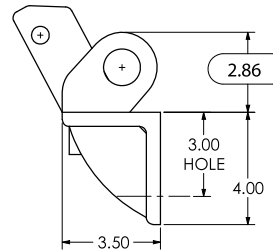
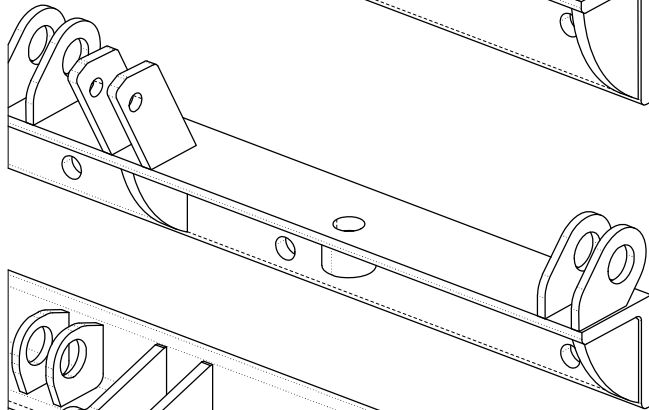
ITEM	PART #	DESCRIPTION	QTY
1	P50006-B	ANGLE CYLINDER, 2" ROD	2
2	P60085	FITTING, ELBOW, 6MJIC - 6MORB (6801R-06-06-.07)	2
3	P50009-A	FITTING, #8 MJIC X #12 MORB	2
4	P50010M	COUPLER, 1/2" MALE FLAT FACE 1/2" BODY x 3/4" SAE PORT	1
5	P50010F	COUPLER, 1/2" FEMALE FLAT FACE 1/2" BODY x 3/4" SAE PORT	1
6	P60055	WING CYLINDER, DUAL ACTING, LEFT & RIGHT	2
7	P60069	FITTING, #6MORB-#6MJIC, STRAIGHT	4
8	P60068-K	MANIFOLD, AUTOWING W/VALVES (with Fittings) See page 61	1
9	P60093	POWERWING MANIFOLD WITH FITTINGS & DIODE HARNESS See page 62	1

Trip Edge Generations (QP Models)

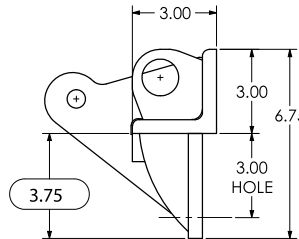
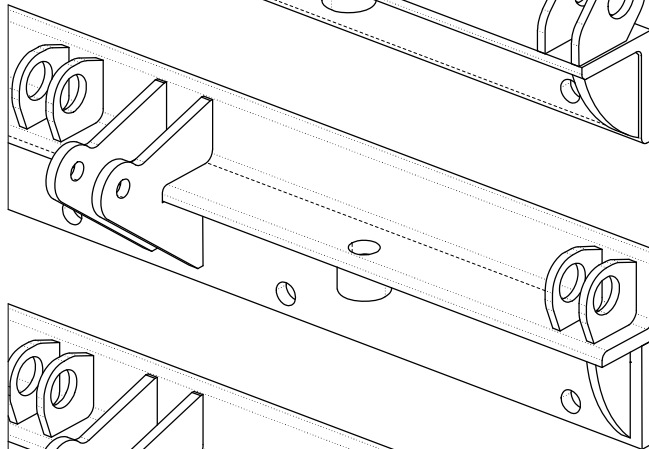
TRIP EDGE MODEL IDENTIFYING DIMENSION



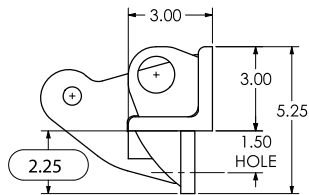
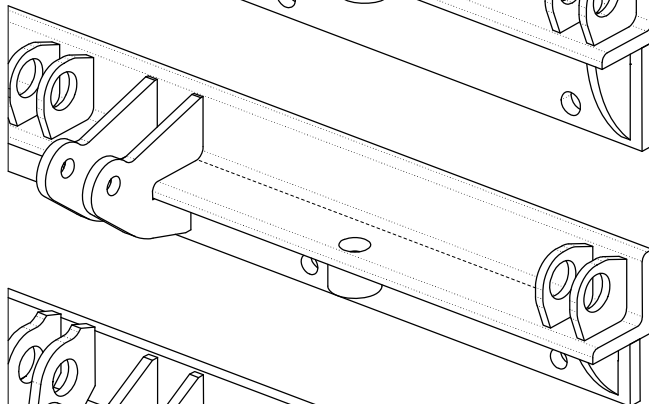
"3.39" EAR"
GENERATION 1



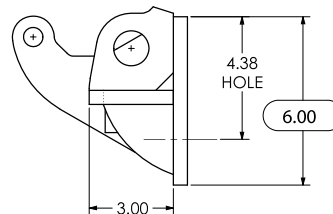
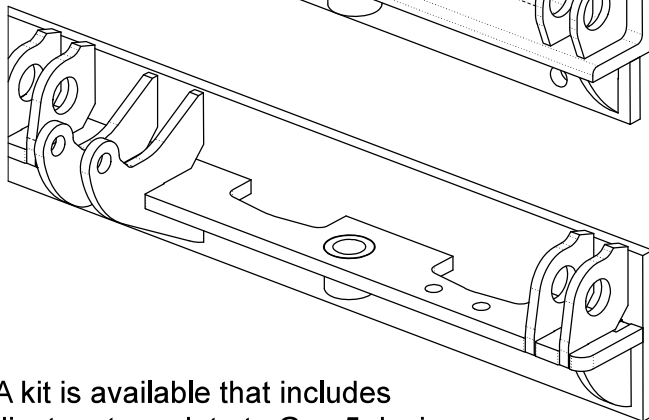
"2.86" EAR"
GENERATION 2



"CENTER PUNCH"
*GENERATION 3



"TOP PUNCH"
*GENERATION 4



"CURRENT"
GENERATION 5

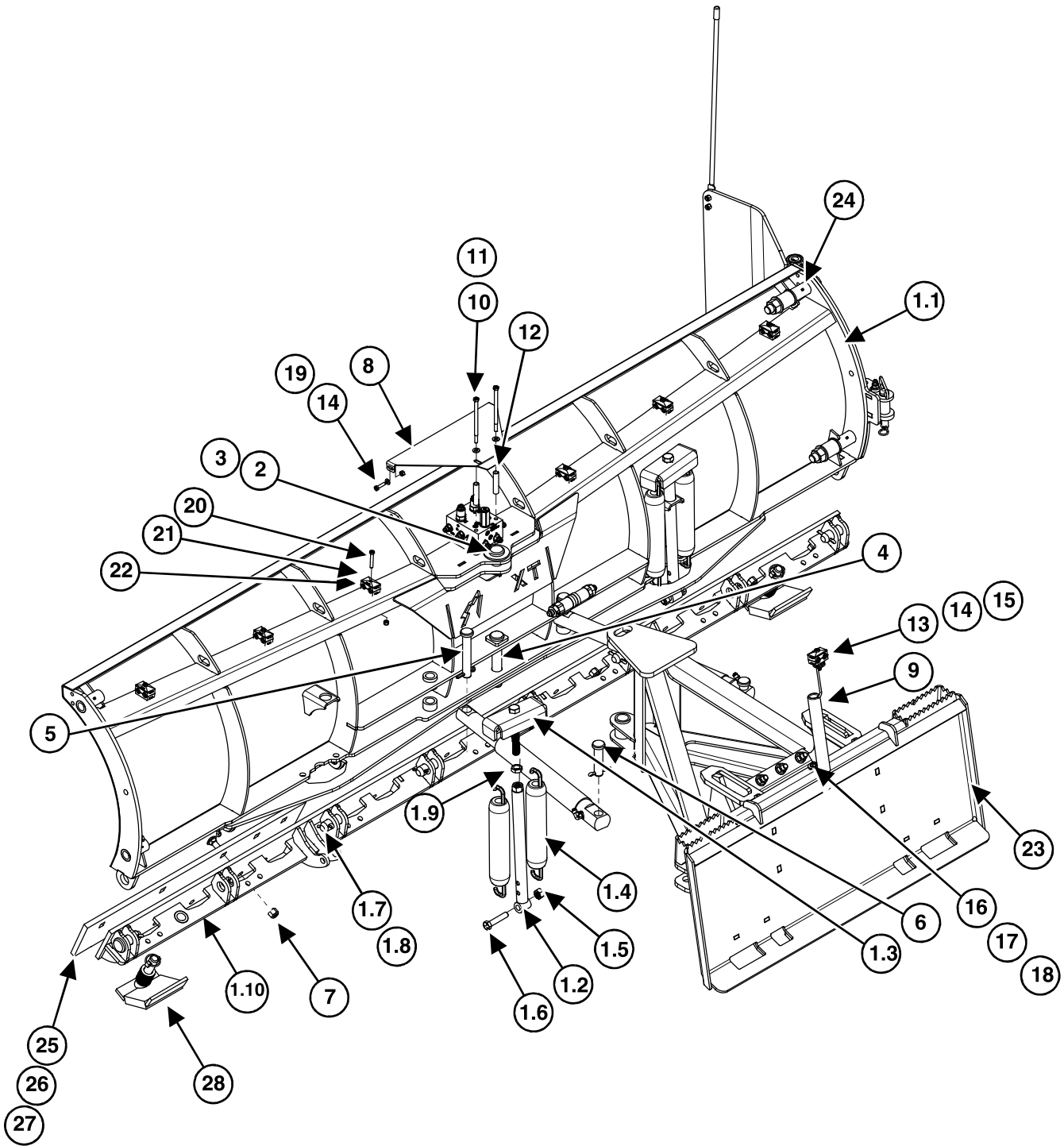
* A kit is available that includes adjusters to update to Gen 5 design.

Decal Identification (QP Models)

PART #	DESCRIPTION	QP-102 QTY	QP-114 QTY	QP-126 QTY	QP-138 QTY
DC37	DECAL, QUATTROPLOW, QP-102	2	0	0	0
DC38	DECAL, QUATTROPLOW, QP-114	0	2	0	0
DC39	DECAL, QUATTROPLOW, QP-126	0	0	2	0
DC40	DECAL, QUATTROPLOW, QP-138	0	0	0	2
DC28	DECAL, SNOWWOLF, MOLDBOARD LEFT	1	1	1	1
DC29	DECAL, WOLFHEAD, MOLDBOARD RIGHT	1	1	1	1
DC36	DECAL, WOLFHEAD, LEFT SIDEPLATE	1	1	1	1
DC58	DECAL, "PATENTS PENDING" WHITE	1	1	1	1
DC68	DECAL, TAG US, BLACK W/YELLOW	1	1	1	1
P20019	DECAL, "DANGER PINCH AREA"	4	4	4	4
SWSN	DECAL, SERIAL #	1	1	1	1

Models QPXT126, QPXT138, QPXT150

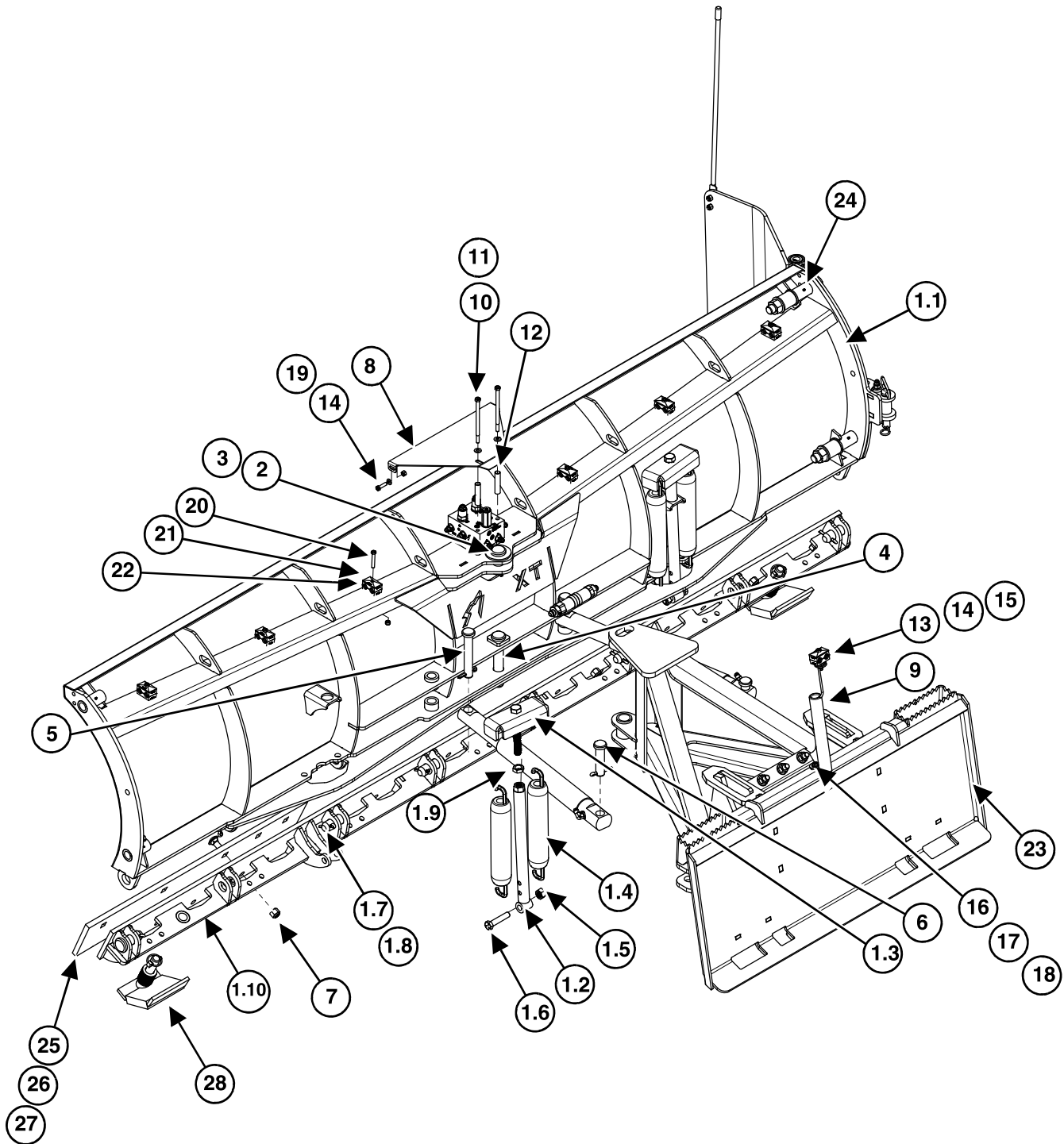
Parts



ITEM	PART #	DESCRIPTION	QPXT-126 QTY	QPXT-138 QTY	QPXT-150 QTY
1	P40108XT	BLADE ASSEMBLY, QPXT-126	1	0	0
	P40120XT	BLADE ASSEMBLY, QPXT-138	0	1	0
	P40132XT	BLADE ASSEMBLY, QPXT-150	0	0	1
1.1	P40017XT	BLADE WELDMENT ONLY, (NO SPRINGS OR TRIP EDGE)	1	0	0
	P40018XT	BLADE WELDMENT ONLY, (NO SPRINGS OR TRIP EDGE)	0	1	0
	P40019XT	BLADE WELDMENT ONLY, (NO SPRINGS OR TRIP EDGE)	0	0	1
1.2	P40026	SPRING ADJUSTMENT ROD ASM	2	2	2
1.3	P40009-B	SPRING ADJUSTMENT ASM	2	2	2
1.4	P40010B	SPRING, TRIP, 6'-10' NEW STYLE	4	4	4
1.5	P40012	NUT, LOCK, 5/8-11, ZINC, GR C	2	2	2
1.6	P40013	BOLT, HEX, 5/8-11 x 3, YELLOW ZINC, GRAD	2	2	2
1.7	P40006	PIN, UPPER PIVOT/TRIP EDGE 1-3/16" x 3"	6	8	8
1.8	P40007	PIN, COTTER, 1/4" x 2", ZINC	6	8	8
1.9	P60242	NUT, JAM, 3/4-10, ZINC	2	2	2
1.10	P40002-N	TRIP EDGE WELDMENT 9FT	1	0	0
	P40002-O	TRIP EDGE WELDMENT 10FT	0	1	0
	P40002-P	TRIP EDGE WELDMENT 11FT	0	0	1
2	P40006	PIN, UPPER PIVOT/TRIP EDGE 1-3/16" x 3"	1	1	1
3	P40007	PIN, COTTER, 1/4" x 2", ZINC	1	1	1
4	P50003	PIN, LOWER PIVOT 1-1/8" x 6-3/4"	1	1	1
5	P50004	PIN, RAM ANCHOR (BLADE END) 1" x 6"	2	2	2
6	P50005	PIN, RAM ANCHOR (FRAME END) 1" x 4"	2	2	2
7	P60030	NUT, HEX, NYLOCK, 5/8-11, ZINC	12	13	0
8	P60071	MANIFOLD SHROUD	1	1	1
9	P60084	SPRING, HOSE HOLDER	1	1	1
10	P60087	BOLT, HEX, 3/8" x 6"	2	2	2
11	P60088	WASHER, FLAT, 3/8" SAE, ZINC	3	3	3

Models QPXT126, QP1XT138, QPXT150 (Cont'd)

Parts (Cont'd)



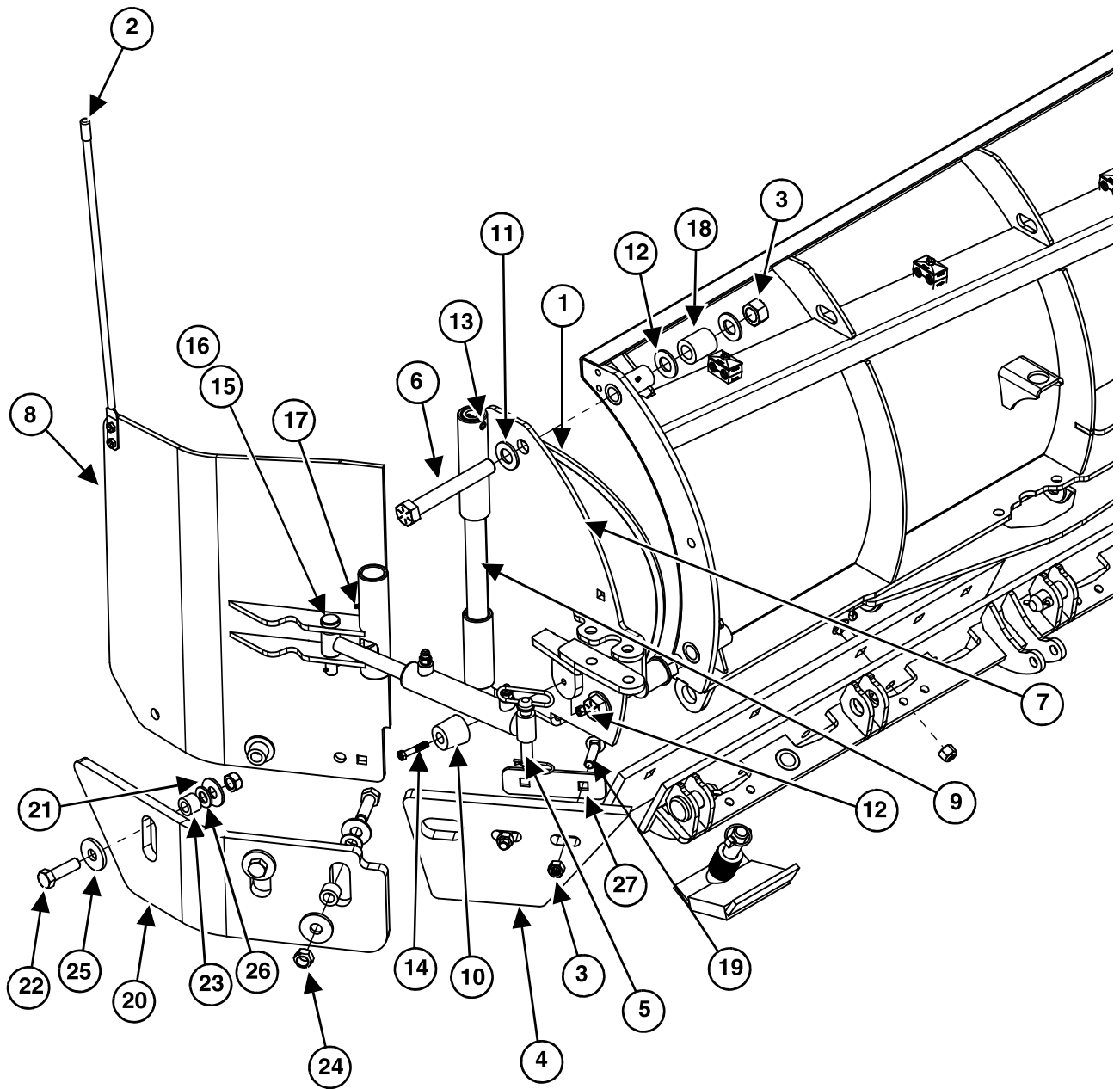
ITEM	PART #	DESCRIPTION	QPXT-126 QTY	QP-XT-138 QTY	QPXT-150 QTY
12	P60089	MANIFOLD SHROUD BOLT SPACER	2	2	2
13	P60090	NUT, HEX, NYLOCK, 5/16"-18	7	9	9
14	P60092	WASHER, FLAT, 5/16" SAE	3	3	3
15	P60094	BOLT, HEX, 5/16-18 x 2-1/2 ZINC PLATED, GR 5	1	1	1
16	P60209	WASHER, FLAT, 1/2" USS, ZINC	3	3	3
17	P60210	BOLT, HEX, 3/8" x 1-1/4"	1	1	1
18	P60211	NUT, HEX, NYLOCK, 3/8", GR 8	1	1	1
19	P60214	BOLT, HEX, 5/16-18 x 1-1/4", ZINC, GR 5	2	2	2
20	P60215	BOLT, HEX, 5/16 X 2, ZINC GR 5	4	4	6
21	P60159	HOSE CLAMP	5	7	7
22	P60160	PLATE, HOSE CLAMP	5	7	7
23	P50020	FLEX FRAME, ASSEMBLY, SEE PAGE 68	1	1	1
24	P25562	GREASE ZERK, 3/16" POUND IN	4	4	4
NS	P60247	SPILL GUARD 9'	1	0	0
NS	P60248	SPILL GUARD 10'	0	1	0
NS	P60249	SPILL GUARD 11'	0	0	1
For items above 24: See "Options (QPXT Models)" on page 54.					
For hydraulic hoses: See "Hydraulic Hoses (QPXT Models)" on page 58.					
For hydraulic components: See "Hydraulic Components (QPXT Models)" on page 59.					

Options (QPXT Models)

ITEM	PART #	DESCRIPTION	QPXT-126 QTY	QPXT-138 QTY	QPXT-150 QTY
	MAIN EDGE				
	Steel Options				
25	P50011-N	CUTTING EDGE, KIT, 9'	1	0	0
26	P50011-O	CUTTING EDGE, KIT, 10'	0	1	0
27	P50011-I	CUTTING EDGE, KIT, 11'	0	0	1
	ActivEdge, AR400, SEE PAGES 63 & 64				
NS	P50011-N-REK	9' ActivEdge KIT WITH HARDWARE	1	0	0
NS	P50011-O-REK	10' ActivEdge KIT WITH HARDWARE	0	1	0
NS	P50011-I-REK	11' ActivEdge KIT WITH HARDWARE	0	0	1
	CARBIDE ActivEdge, AR400 WITH CARBIDE, SEE PAGES 65 & 66				
NS	P50014-N-REK	9' ActivEdge KIT WITH HARDWARE	1	0	0
NS	P50014-O-REK	10' ActivEdge KIT WITH HARDWARE	0	1	0
NS	P50014-I-REK	11' ActivEdge KIT WITH HARDWARE	0	0	1
	WEAR SHOES				
	P40003-K	KIT			
28	P40003	WELDMENT, WEAR SHOE, W/SPACERS & KLIK PINS	2	2	2
	POWER WING (OPTION) (See page 62)				
NS	QP-PW	POWERWING MANIFOLD WITH FITTINGS AND DIODE HARNESS	1	1	1
	AUTOWING MANIFOLD (OPTION) (See page 61)				
NS	P60068	AUTOWING MANIFOLD WITH FITTINGS	1	1	1

This page left intentionally blank

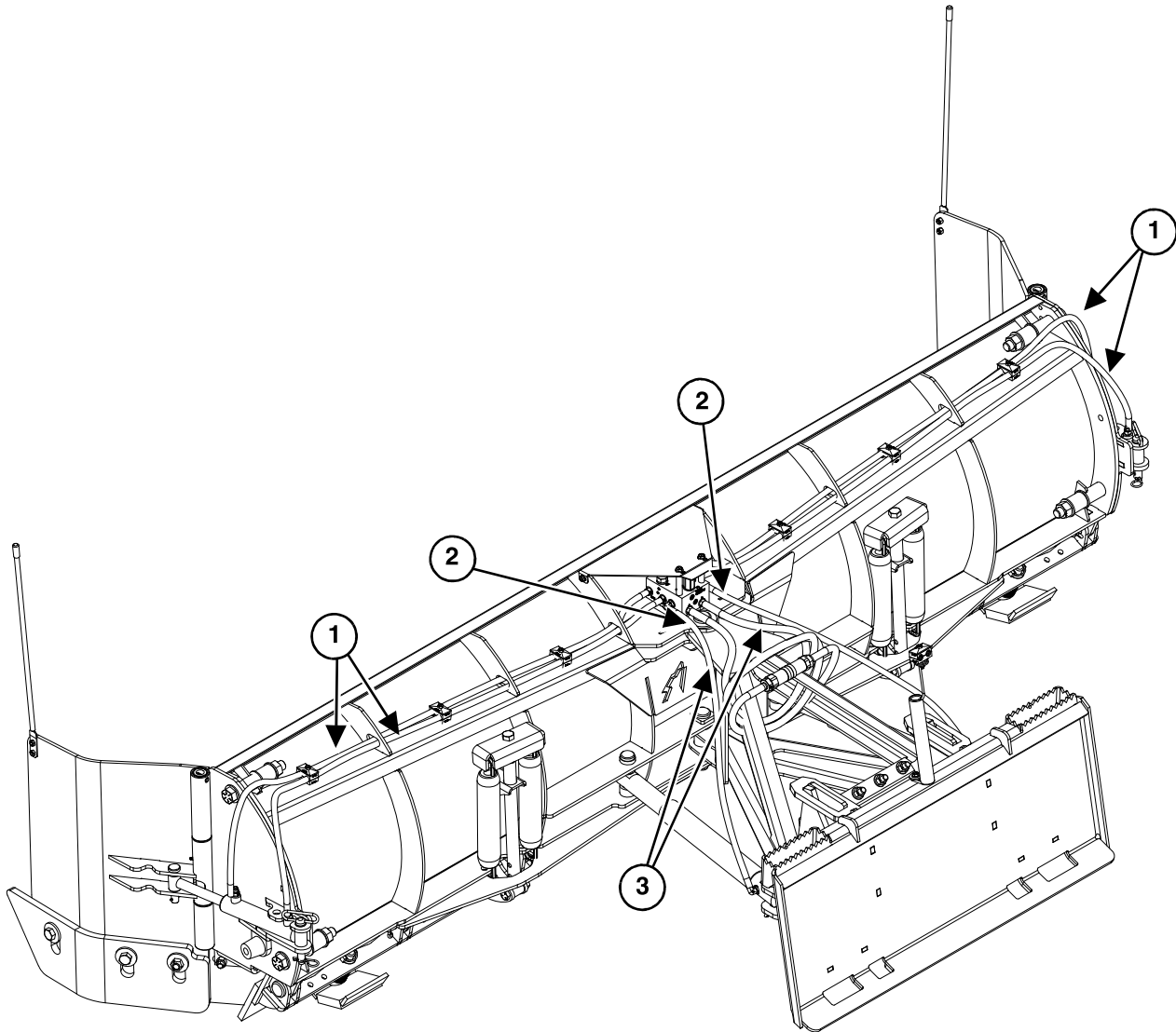
Side Wing (QPXT Models)



ITEM	PART #	DESCRIPTION	QTY
1	P38221	RUBBER-LOK TRIM 1/4"	2
2	P50001	BLADE MARKER GUIDE SET	2
3	P60024	NUT, LOCK, 1-8, ZINC, GR C	4
4	P60052	CUTTING EDGE, URETHANE, REAR LEFT OR RIGHT	2
5	P60057	PIN, WING CYLINDER D HANDLE (HITCH PIN), W/QUICK CLIP	2
6	P20041	PIVOT BOLT, HEX, 1"- 8 x 7.5"	2
7	P60097	LH WING REAR WELDMENT	1
8	P60098	LH WING FRONT WELDMENT	1
NS	P60061	RH WING REAR WELDMENT (NOT SHOWN)	1
NS	P60062	RH WING FRONT WELDMENT (NOT SHOWN)	1
9	P60102	PIN, HINGE	2
10	P60158	WING BUMP STOP, 2"W x 1-3/4"H, 3/8" BOLT DIA	2
11	P60206	WASHER, FLAT, 1" SAE, YELLOW ZINC, GR 8	12
12	P60211	NUT, HEX, NYLOCK, 3/8", YELLOW ZINC, GR 8	3
13	P60227	PIN, ROLL, 1/2 x 2"	2
14	P60235	BOLT, HEX, 3/8" x 2", YELLOW ZINC, GR 8	2
15	P20029	PIN, 3/4" x 4"	2
16	P60230	PIN, COTTER, 5/32" x 1-1/4"	2
17	P25562	GREASE ZERK, 3/16" POUND IN	2
18	P60205	SPACER, URETHANE	4
19	P60008	BOLT, CARRIAGE, 5/8-11 x 2-1/2"	4
20	P60013	WING EDGE, STEEL, LEFT SIDE	1
NS	P60014	WING EDGE, STEEL, RIGHT SIDE (NOT SHOWN)	1
21	P60015	WASHER, CUSTOM, 2.25"	6
22	P80039	BOLT, HEX, 3/4-10 X 2-1/2, GR8	6
23	P60016	BUSHING, 1.25" x .90"	6
24	P20028	NUT, LOCK, 3/4-10, GR C	6
25	P60095	WASHER, FLAT 3/4" USS	6
26	P30051	WASHER, FLAT 3/4" SAE	6
27	P60100	HOLD DOWN STRIP, INSIDE URETHANE EDGE	2

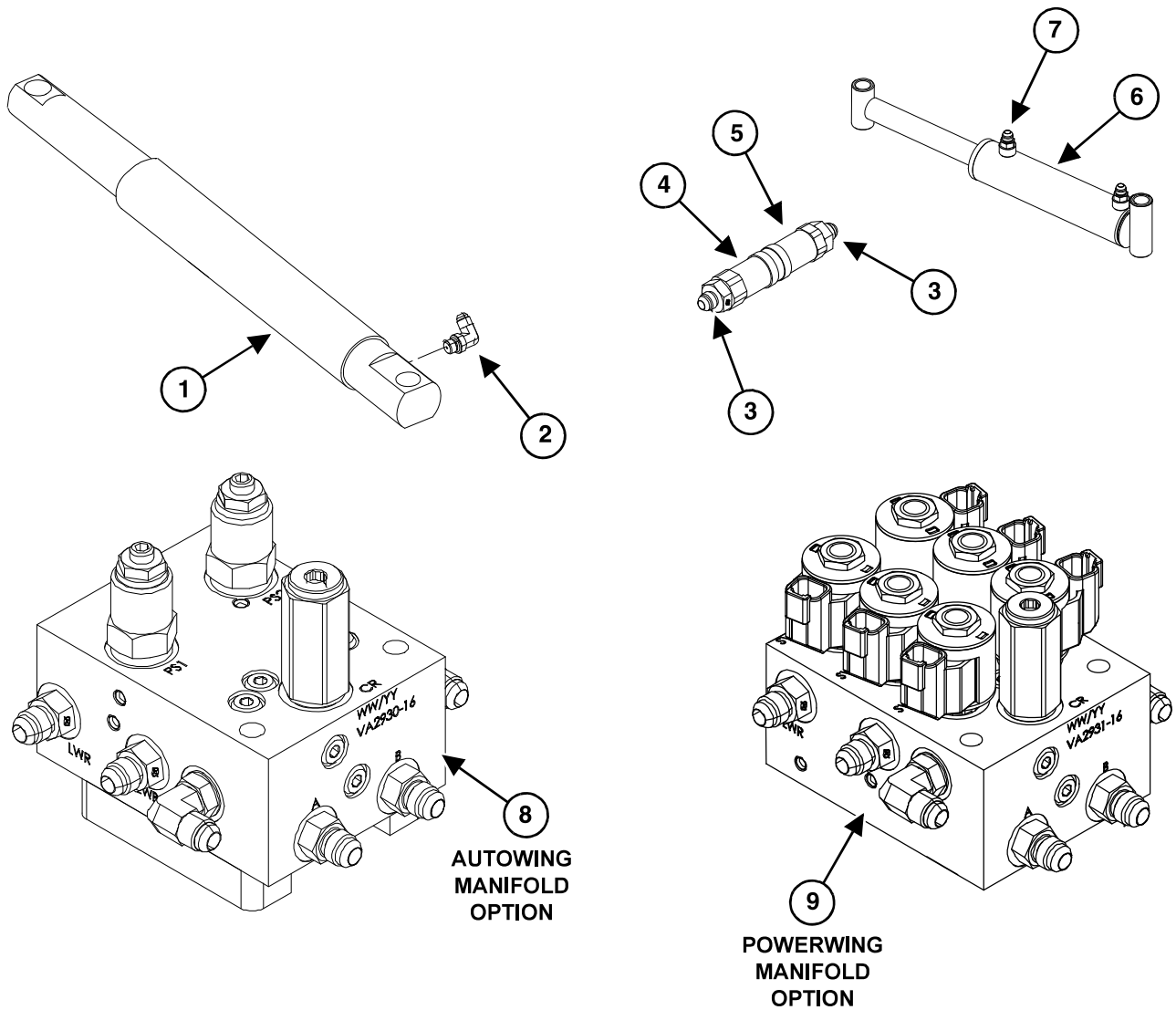
Hydraulics QPXT126, QP1XT138, QPXT150

Hydraulic Hoses (QPXT Models)



ITEM	PART #	DESCRIPTION	QPXT-126 QTY	QPXT-138 QTY	QPXT-150 QTY
1	P60076	HOSE, 3/8" x 66", 3000 PSI, 6FJIC-6FJIC	4	0	0
	P60078	HOSE, 3/8" x 72", 3000 PSI, 6FJIC-6FJIC	0	4	0
	P60080	HOSE, 3/8" x 78", 3000 PSI, 6FJIC-6FJIC	0	0	4
2	P60082	HOSE, 3/8" x 38", 3000 PSI, 6FJIC-6FJIC	2	2	2
3	P50008	HOSE, 3/8" x 78", 3000 PSI, 6FJIC-8FJIC	2	2	2

Hydraulic Components (QPXT Models)



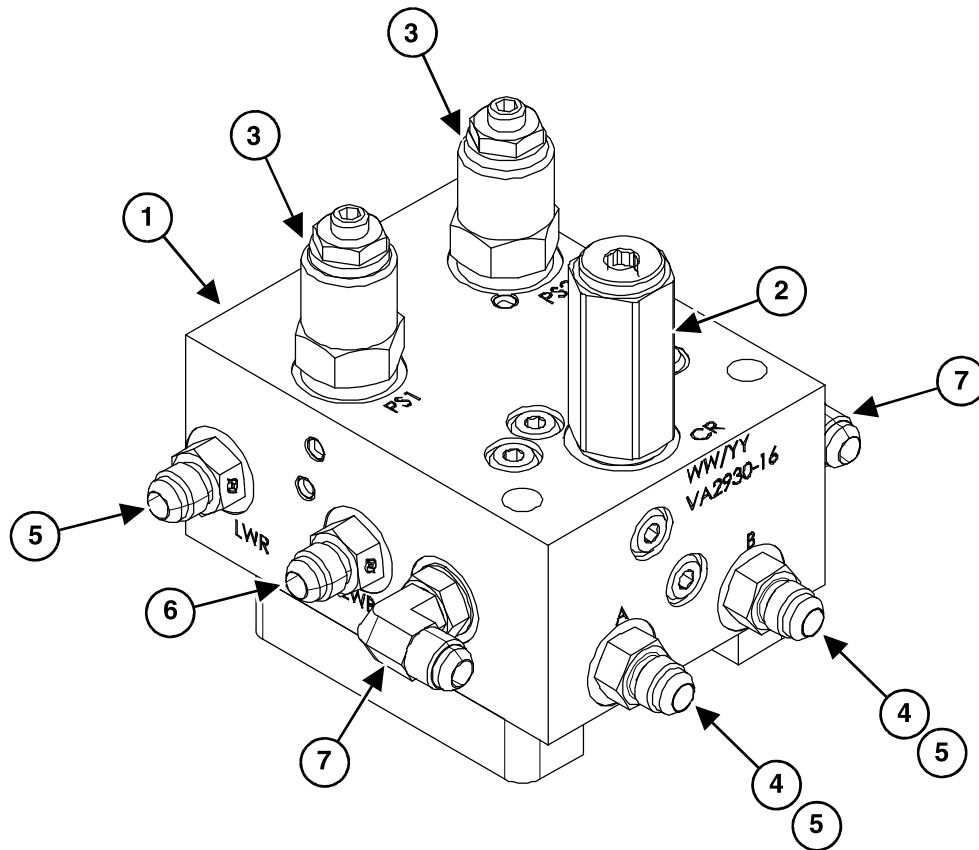
ITEM	PART #	DESCRIPTION	QTY
1	P50006-B	ANGLE CYLINDER, 2" ROD	2
2	P60086	FITTING, ELBOW, 6MJIC - 6MORB (6801R-06-06-.07)	2
3	P50009-A	FITTING, #8 MJIC X #12 MORB	2
4	P50010M	COUPLER, 1/2" MALE FLAT FACE 1/2" BODY x 3/4" SAE PORT	1
5	P50010F	COUPLER, 1/2" FEMALE FLAT FACE 1/2" BODY x 3/4" SAE PORT	1
6	P60055	WING CYLINDER, DUAL ACTING, LEFT & RIGHT	2
7	P60069	FITTING, #6MORB-#6MJIC, STRAIGHT	4
8	P60068-K	MANIFOLD, AUTOWING W/VALVES (with Fittings) See page 61	1
9	P60093	POWERWING MANIFOLD WITH FITTINGS & DIODE HARNESS See page 62	1

Decal Identification (QPXT Models)

PART #	DESCRIPTION	QPXT-126 QTY	QPXT-138 QTY	QPXT-150 QTY
DC96	DECAL, QUATTROPLOW, QPXT-126	2	0	0
DC97	DECAL, QUATTROPLOW, QPXT-138	0	2	0
DC98	DECAL, QUATTROPLOW, QPXT-150	0	0	2
DC28	DECAL, SNOWWOLF, MOLDBOARD LEFT	1	1	1
DC29	DECAL, WOLFHEAD, MOLDBOARD RIGHT	1	1	1
DC36	DECAL, WOLFHEAD, LEFT SIDEPLATE	1	1	1
DC58	DECAL, "PATENTS PENDING" WHITE	1	1	1
DC68	DECAL, TAG US, BLACK W/YELLOW	1	1	1
P20019	DECAL, "DANGER PINCH AREA"	4	4	4
SWSN	DECAL, SERIAL #	1	1	1

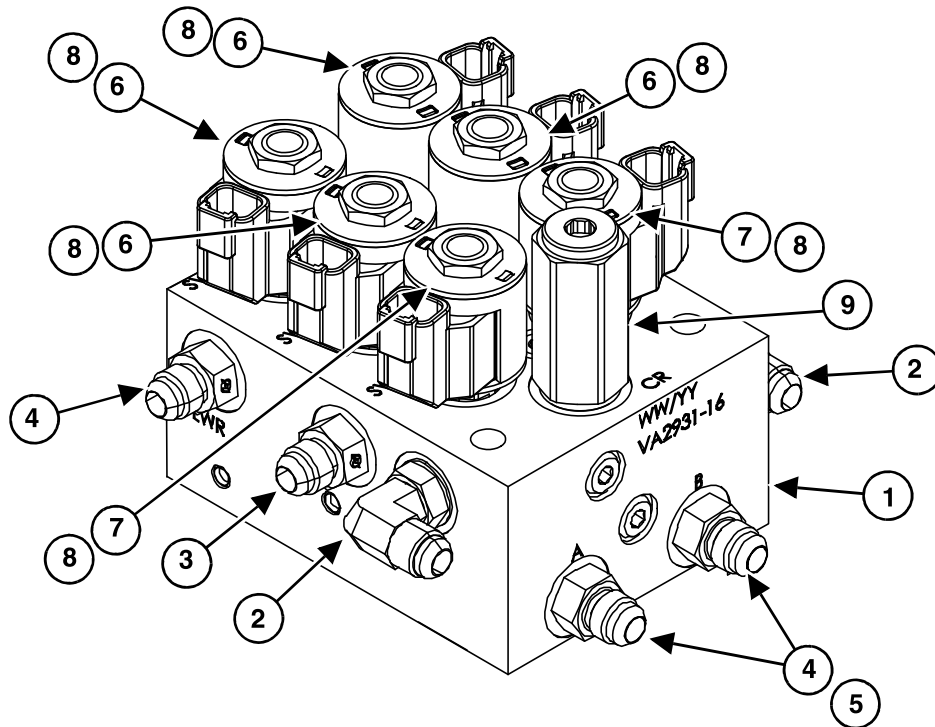
Options (Model Specific)

Hydraulic Manifold AutoWing (QP and QPXT Models)



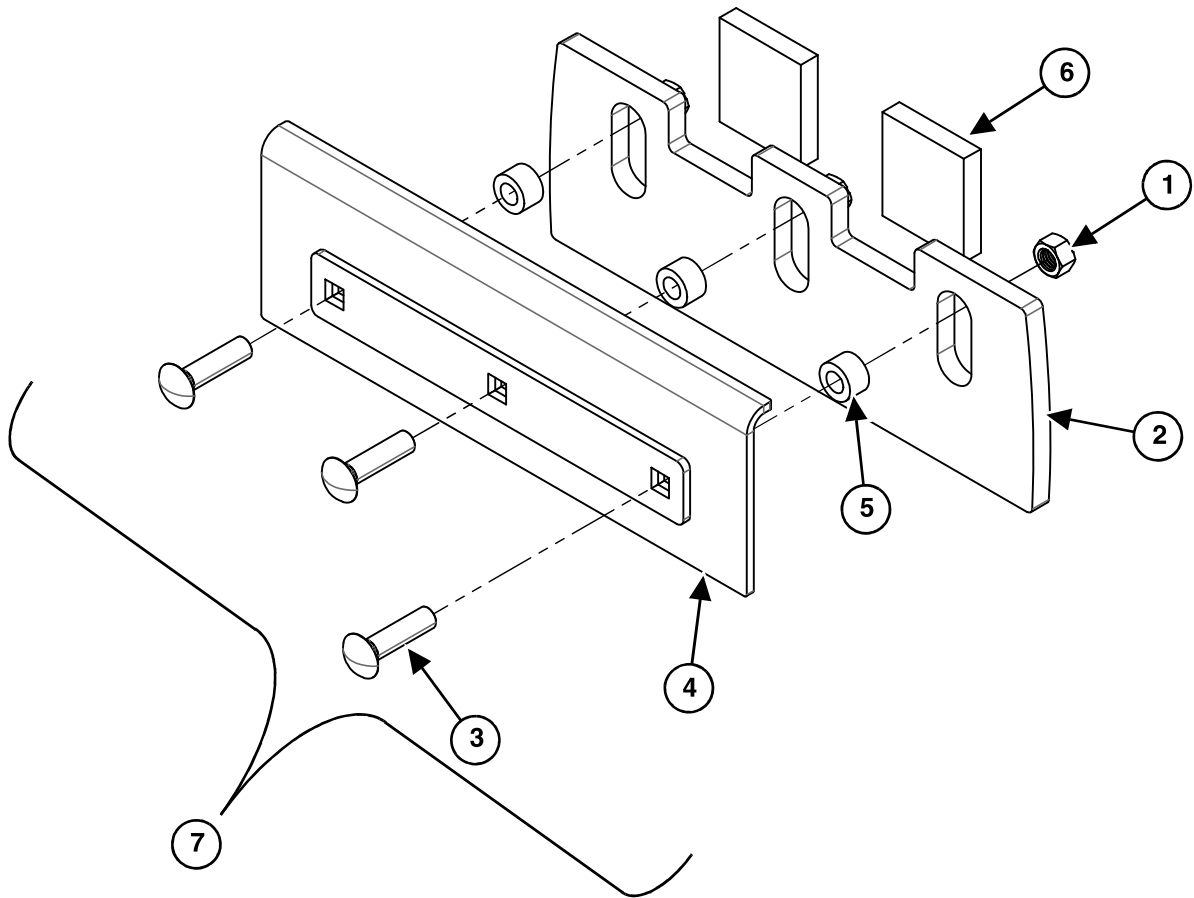
ITEM	PART #	DESCRIPTION	QTY
	P60068-K	MANIFOLD, AUTOWING W/VALVES (with Fittings)	1
1	P60068	MANIFOLD, AUTOWING ASSEMBLY, W/VALVES (no fittings)	1
2	P60128	CROSS OVER RELIEF VALVE, 2500 PSI	1
3	P60126	WING CONTROL VALVE, 2250 PSI	2
4	P60067	SLIDING RESTRICTOR, .062	2
5	P60069	FITTING, #6MORB-#6MJIC, STRAIGHT	6
6	P38136	FITTING, 6400-06-06-.035 06MORB/06MJIC (RESTRICTED)	2
7	P60085	FITTING, 90 DEG, #6MORB-#6MJIC	2

Hydraulic Manifold PowerWing, QP-PW (QP and QPXT Models)

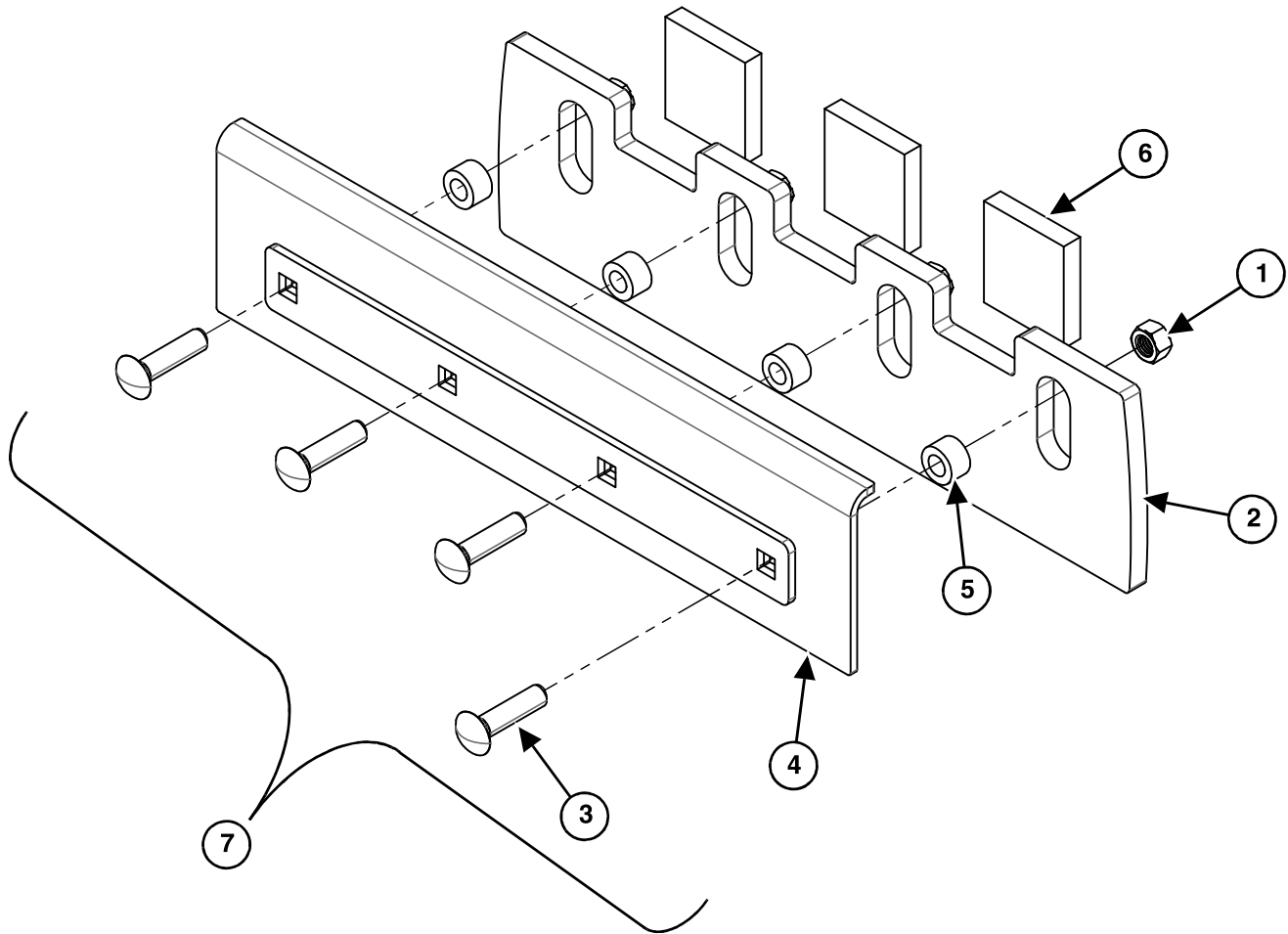


ITEM	PART #	DESCRIPTION	QTY
	QP-PW	POWERWING MANIFOLD & DIODE HARNESS (with fittings)	1
NS	P60103	HARNESS, DIODE, QUATTRO POWER	1
1	P60093	MANIFOLD, ASSEMBLY W/VALVES (no fittings)	1
2	P60085	FITTING, 90 DEG, #6MORB-#6MJIC	2
3	P38136	FITTING, 6400-06-06-.035 06MORB/06MJIC (RESTRICTED)	2
4	P60069	FITTING, STR, #6MORB-#6MJIC	4
5	P60129	SLIDING RESTRICTOR, .0465	2
6	P60125	VALVE, SOLENOID, (FOR WINGS ONLY)	4
7	P60124	VALVE, SOLENOID, (FOR ANGLE ONLY)	2
8	P30033	E-COIL, 12 VDC	6
9	P60128	CROSS OVER RELIEF VALVE, 2500 PSI	1
NS	MFJC	CONTROLLER, MULTI-FUNCTION	1
NS	P60262	18" ADAPTER HARNESS, CAT, 14-PIN	1
	P60263	18" ADAPTER HARNESS, CAT, 8-PIN	1
	P60264	18" ADAPTER HARNESS, BOBCAT, 7-PIN	1
	P60265	18" ADAPTER HARNESS, ASV/TEREX, 14-PIN	1
	P60266	18" ADAPTER HARNESS, COMMON 14-PIN	1
	P60267	18" ADAPTER HARNESS, ASV/TEREX, 8-PIN	1
	P60268	ADAPTER HARNESS, BOBCAT CANBUS 7-PIN TO ANALOG 14-PIN	1
	P60269	18" ADAPTER HARNESS, COMMON 8-PIN	1

ActivEdge, AR400, 18" Sectional Blade (QP and QPXT Models)

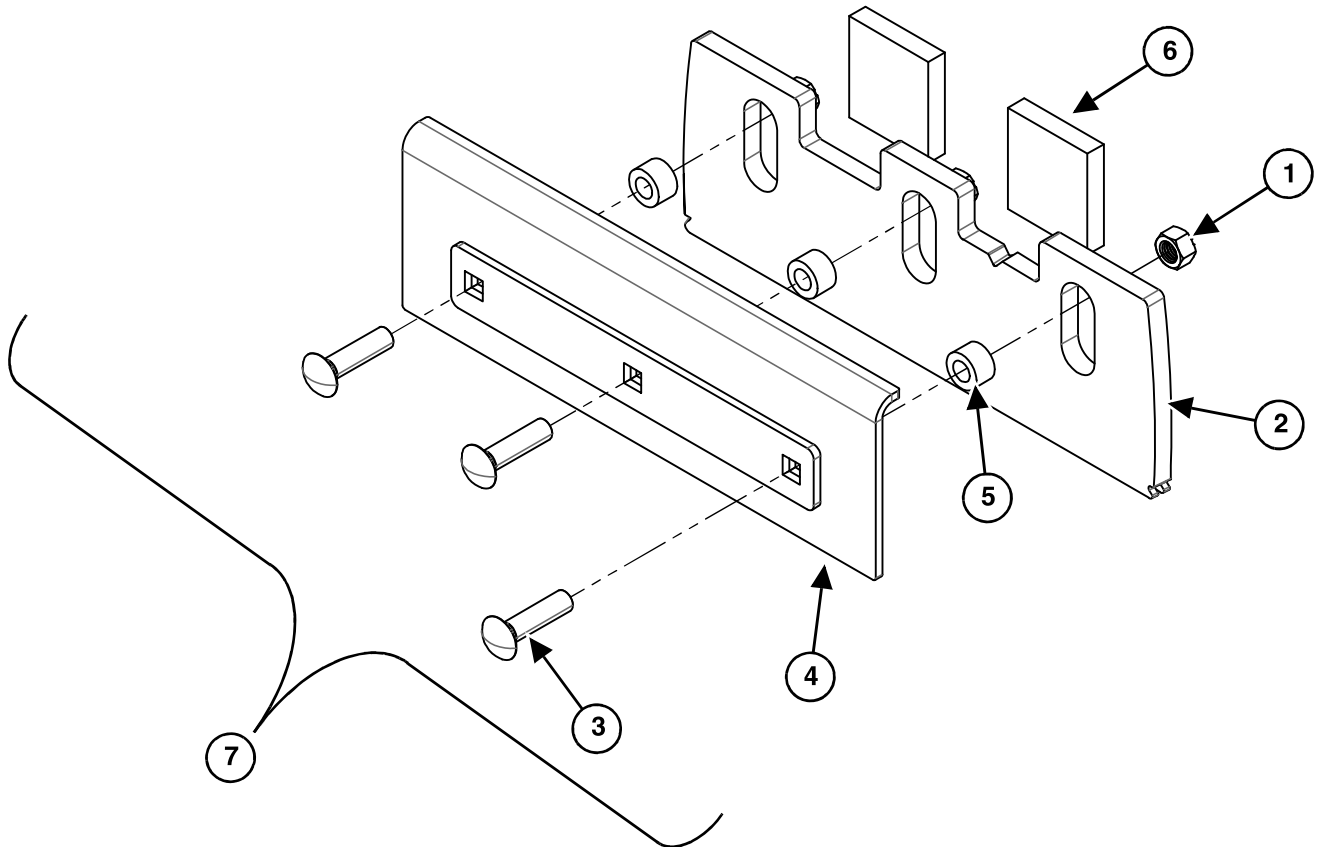


ITEM	PART #	DESCRIPTION	QTY
1	P40012	NUT, LOCK, 5/8-11, ZINC	3
2	P50011-18-SEC	BLADE, 18"	1
3	P60008	BOLT, CARRIAGE, 5/8-11 x 2-1/2"	3
4	P60255	RETAINING WELDMENT, 18"	1
5	P60253	BUSHING, STANOFF	3
6	P60254	SPRING, RUBBER	2
7	P60251-K	KIT, 18" SECTION (kit includes items 1, 2, 3, 4, 5, & 6)	1

ActivEdge, AR400, 24" Sectional Blade (QP and QPXT Models)


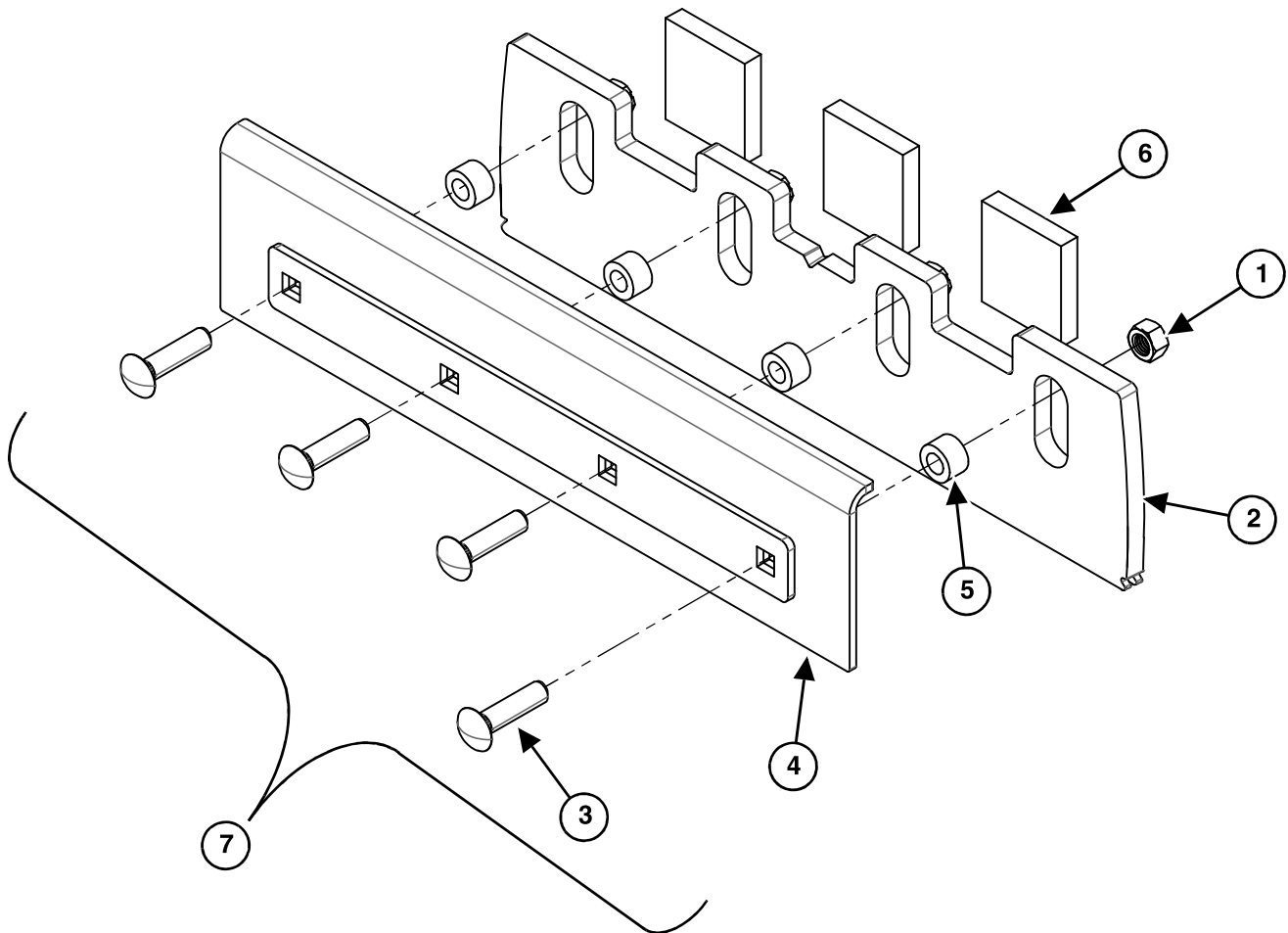
ITEM	PART #	DESCRIPTION	QTY
1	P40012	NUT, LOCK, 5/8-11, ZINC	4
2	P50011-24-SEC	BLADE, 24"	1
3	P60008	BOLT, CARRIAGE, 5/8-11 x 2-1/2"	4
4	P60252	RETAINING WELDMENT, 24"	1
5	P60253	BUSHING, STANOFF	4
6	P60254	SPRING, RUBBER	3
7	P60250-K	KIT, 24" SECTION (kit includes items 1, 2, 3, 4, 5, & 6)	1

ActivEdge, Carbide, AR400, 18" Sectional Blade (QP and QPXT Models)



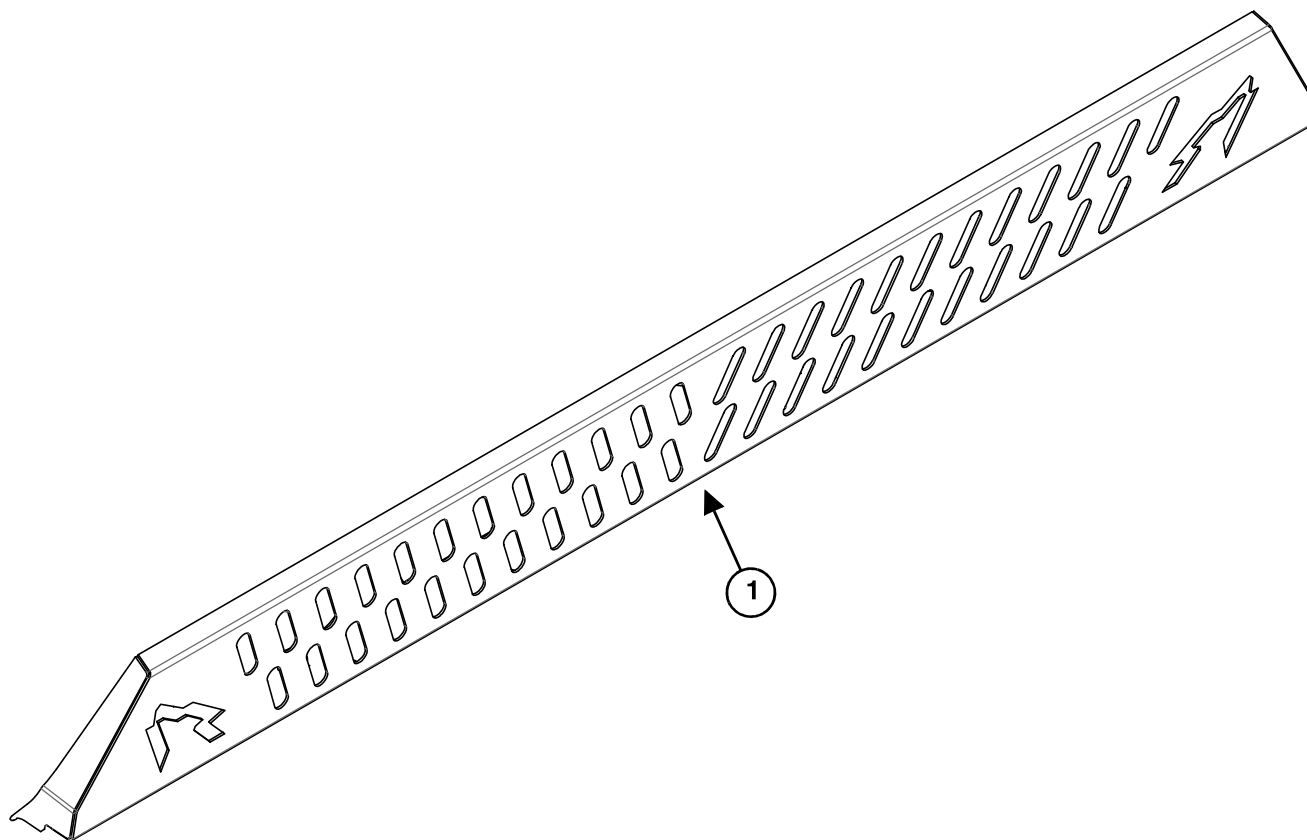
ITEM	PART #	DESCRIPTION	QTY
1	P40012	NUT, LOCK, 5/8-11, ZINC	3
2	P80109-CARB	BLADE, 24"	1
3	P80036	BOLT, CARRIAGE, 5/8-11 x 3"	3
4	P80113	RETAINING WELDMENT, 18"	1
5	P80107	BUSHING, STANDOFF	3
6	P60254	SPRING, FOAM	2
7	P80112-CARB-K	KIT, 18" SECTION (kit includes items 1, 2, 3, 4, 5, & 6)	1

ActivEdge, Carbide, AR400, 24" Sectional Blade (QP and QPXT Models)



ITEM	PART #	DESCRIPTION	QTY
1	P40012	NUT, LOCK, 5/8-11, ZINC	4
2	P80106-CARB	BLADE, 24"	1
3	P80036	BOLT, CARRIAGE, 5/8-11 x 2-1/2"	4
4	P80111	RETAINING WELDMENT, 24"	1
5	P80107	BUSHING, STANDOFF	4
6	P60254	SPRING, FOAM	3
7	P80110-CARB-K	KIT, 24" SECTION (kit includes items 1, 2, 3, 4, 5, & 6)	1

Spill Guard, QP Models

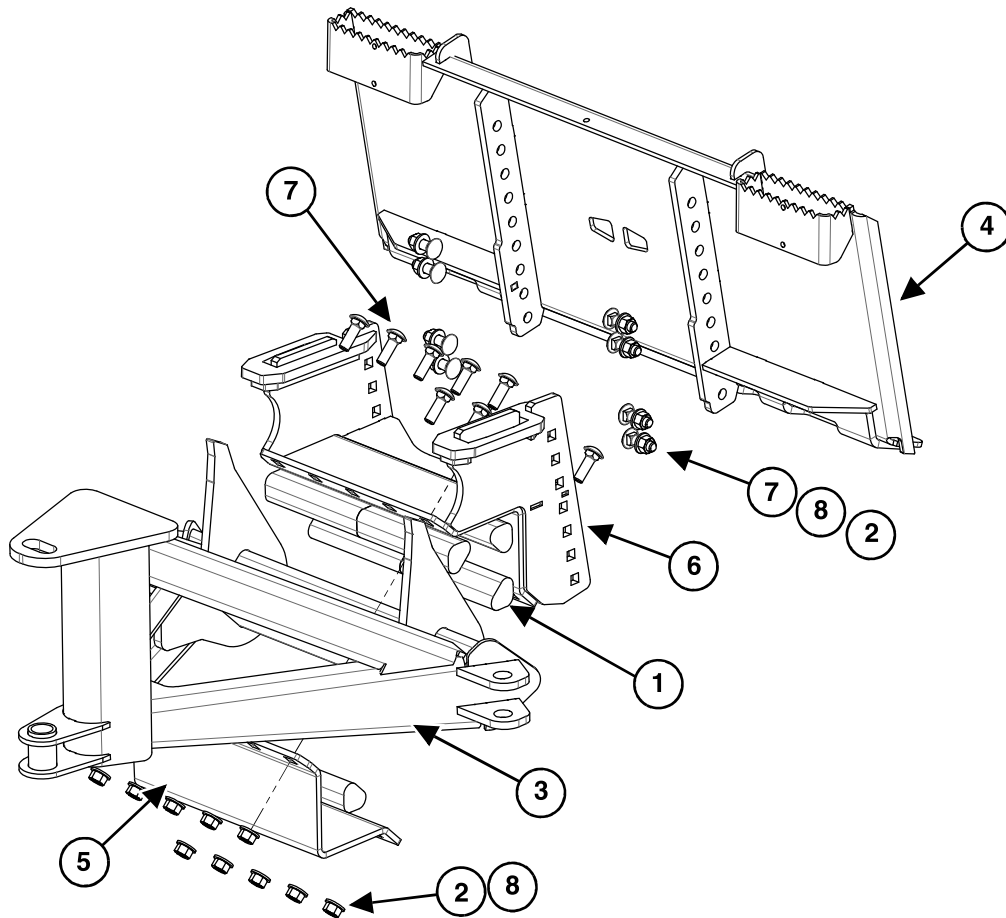


ITEM	PART #	DESCRIPTION	QTY
1	P60245	SPILL GUARD 7'	1
	P60246	SPILL GUARD 8'	1
	P60247	SPILL GUARD 9'	1
	P60248	SPILL GUARD 10'	1

NOTE: Spill Guard is standard on QPXT models.

Flex Frame

NOTE: The Flex Fame is standard on QPXT models and optional on QP models.



ITEM	PART #	DESCRIPTION	QTY
1	P20042	INSERT RUBBER, FOR T-FRAME, (8.00" LONG)	8
2	P40012	NUT, LOCK 5/8-11, ZINC, GRADE C	18
3	P50027	FLEX FRAME, A-FRAME WELDMENT, BLACK	1
4	P50028	FLEX FRAME MOUNT PLATE	1
5	P50029	TORSION CLAM SHELL	1
6	P50030	FLEX FRAME, REAR TORSION WELDMENT	1
7	P60010	BOLT, CARRAIGE, 5/8-11 x 2" ZINC, GRADE 5	18
8	P60096	WASHER, FLAT, 5/8" SAE, GR8	18