



MARAUDER™

Hopper and Drive Components **MARAUDER™ Stainless Steel Hopper Spreader**

#S150A, S220A, S300A, S400A, S500A

S150C, S220C, S300C, S400C, S500C

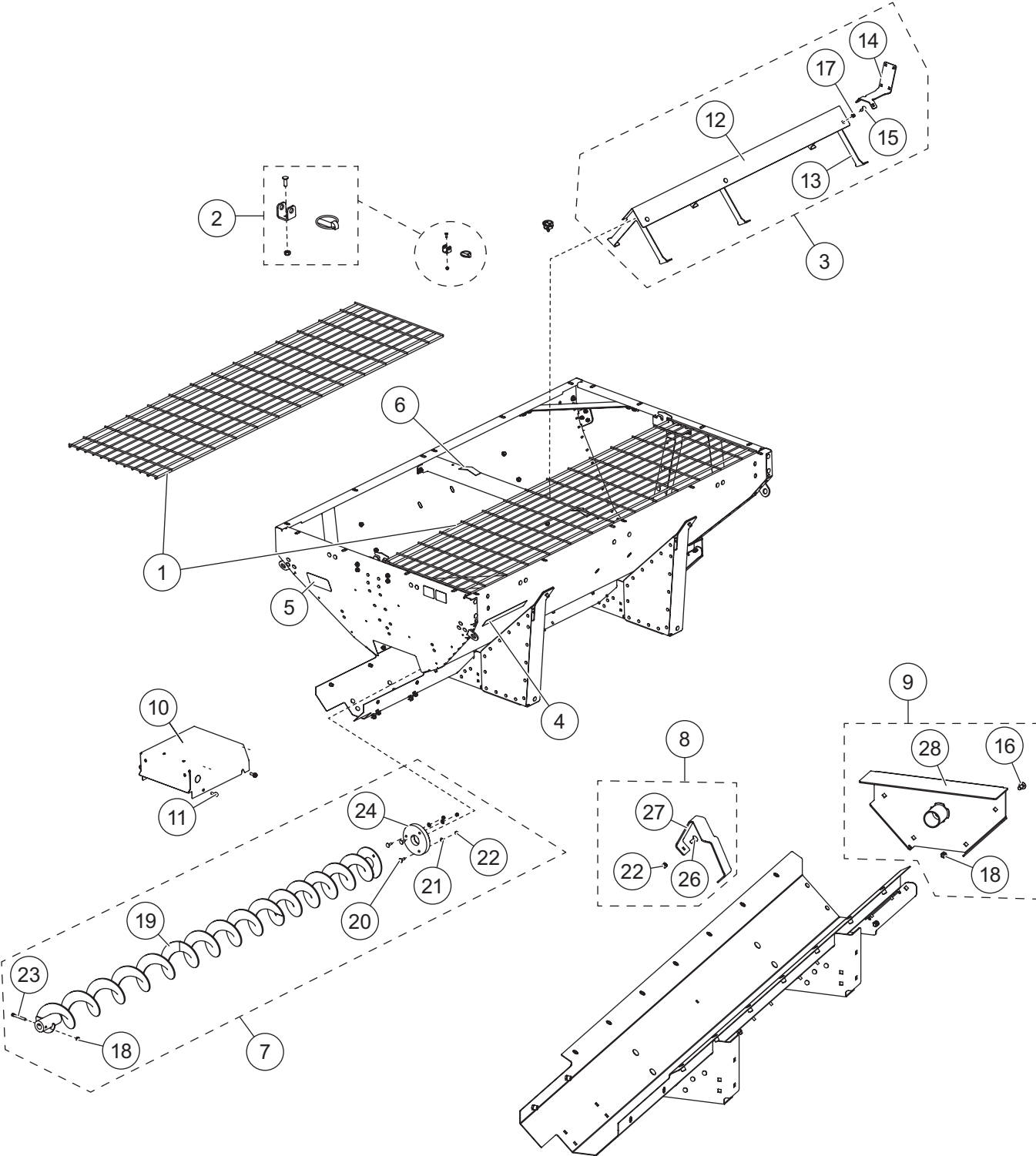
Parts List



This Parts List is for WESTERN® MAURADER Hopper Spreaders
with serial numbers beginning with 230301 and higher.

MAURADER™ HOPPER SPREADER

HOPPER ASSEMBLY



MAURADER™ HOPPER SPREADER

Hopper Assembly Components							
Item	Part	Qty	Description	Item	Part	Qty	Description
1	99515	2	Top Screen – S150	7	31849	1	Auger Kit, Short – S150A
ns	99516	2	Top Screen – S220	ns	31851	1	Auger Kit, Long – S220A/S300A/S400A/S500A
ns	80080	2	Top Screen – S300				
ns	99518	2	Top Screen – S400/S500	8	85422	2*	Auger Keeper Kit
2	99578	1	Screen Attachment Kit (set of 4)	9	31852	1	Cab-Side Trough Cap Kit
3	93990	1	Inverted V Kit – S150	10	31853	1	Extension Cover, Auger – S150A
ns	93995	1	Inverted V Kit – S220/S300/S400/S500	ns	31857	1	Extension Cover, Auger – S220A
				ns	31859	1	Extension Cover, Auger – S300A
4	31594EN	2	Label – Warning/Caution, Spreaders	ns	31900	1	Extension Cover, Auger – S400A/S500A
5	30916EN	1	Label – Warning Rotating Parts				
6	67272	4	Label – Caution, Do Not Lift	11	31983	1	Bolt Bag – Extension Cover
Item 3				93990 Inverted V Kit – S150			
12		1	Inverted V – Short	14		1	Bracket, Inverted V – S150
13		3	Inverted V Formed Leg	ns	31923	1	Bolt Bag – Inverted V
				93995 Inverted V Kit – S220/S300/S400/S500			
13		3	Inverted V Formed Leg	ns		1	Bracket, Inverted V – S300
ns		1	Inverted V – Long	14		1	Bracket, Inverted V – S400/S500
ns		1	Bracket, Inverted V – S220	ns	31923	1	Bolt Bag – Inverted V
				31923 Bolt Bag – Inverted V			
15		4	3/8-16 x 1-1/2 Carriage Bolt SS	17		10	3/8 Flat Washer SS
16		6	3/8-16 x 1 Carriage Bolt SS	18		10	3/8-16 Hex Locknut SS
Item 7				31849 Auger Kit, Short – S150A			
18		1	3/8-16 Hex Locknut SS	22		3	5/16-18 Hex Locknut SS
19		1	82" Auger	23		1	3/8-16 x 3 Hex Cap Screw SS
20		3	5/16-18 x 1 Carriage Bolt SS	24	11888	1	Front Auger Bearing
21		3	5/16 Flat Washer SS				
				31851 Auger Kit, Long – S220A/S300A/S400A/S500A			
18		1	3/8-16 Hex Locknut SS	23		1	3/8-16 x 3 Hex Cap Screw SS
20		3	5/16-18 x 1 Carriage Bolt SS	24	11888	1	Front Auger Bearing
21		3	5/16 Flat Washer SS	ns		1	90" Auger
22		3	5/16-18 Hex Locknut SS				
Item 8				85422 Auger Keeper Kit			
22		2	5/16-18 Hex Locknut SS	27		1	Auger Keeper
26		2	5/16-18 x 3/4 Carriage Bolt SS				
Item 9				31852 Cab-Side Trough Cap Kit			
16		5	3/8-16 x 1 Carriage Bolt SS	28		1	Cab-Side Trough Plate
18		5	3/8-16 Hex Locknut SS	ns		1	Auger Shaft Assembly
Item 11				31983 Bolt Bag – Extension Cover			
		4	3/8-16 x 1 Flanged Cap Screw SS				

ns = not shown

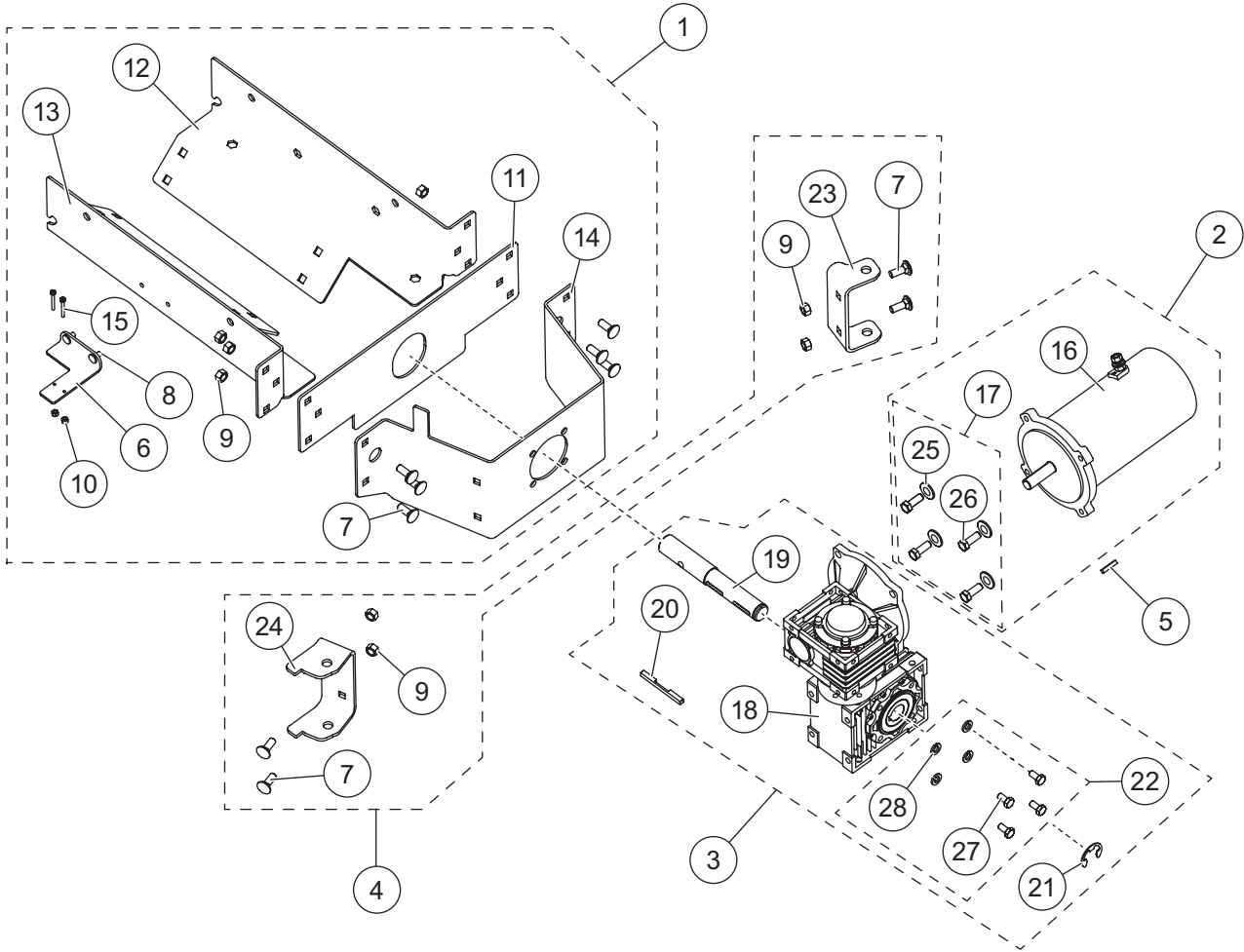
SS = Stainless Steel

* The S150A auger kit requires one auger keeper; S220A/S300A/S400A/S500A auger kit requires two auger keepers.

Labels – MARAUDER Hopper Spreaders					
Part	Qty	Description	Part	Qty	Description
30591	1	Label – Logo, WESTERN® Chute	31246	2	Label – Logo, MARAUDER S300A
30598	1	Label – Logo, HELIXX™ Auger	31247	2	Label – Logo, MARAUDER S300C
31240	2	Label – Logo, MARAUDER S150A	31248	2	Label – Logo, MARAUDER S400A
31241	2	Label – Logo, MARAUDER S150C	31249	2	Label – Logo, MARAUDER S400C
31244	2	Label – Logo, MARAUDER S220A	31250	2	Label – Logo, MARAUDER S500A
31245	2	Label – Logo, MARAUDER S220C	31251	2	Label – Logo, MARAUDER S500C

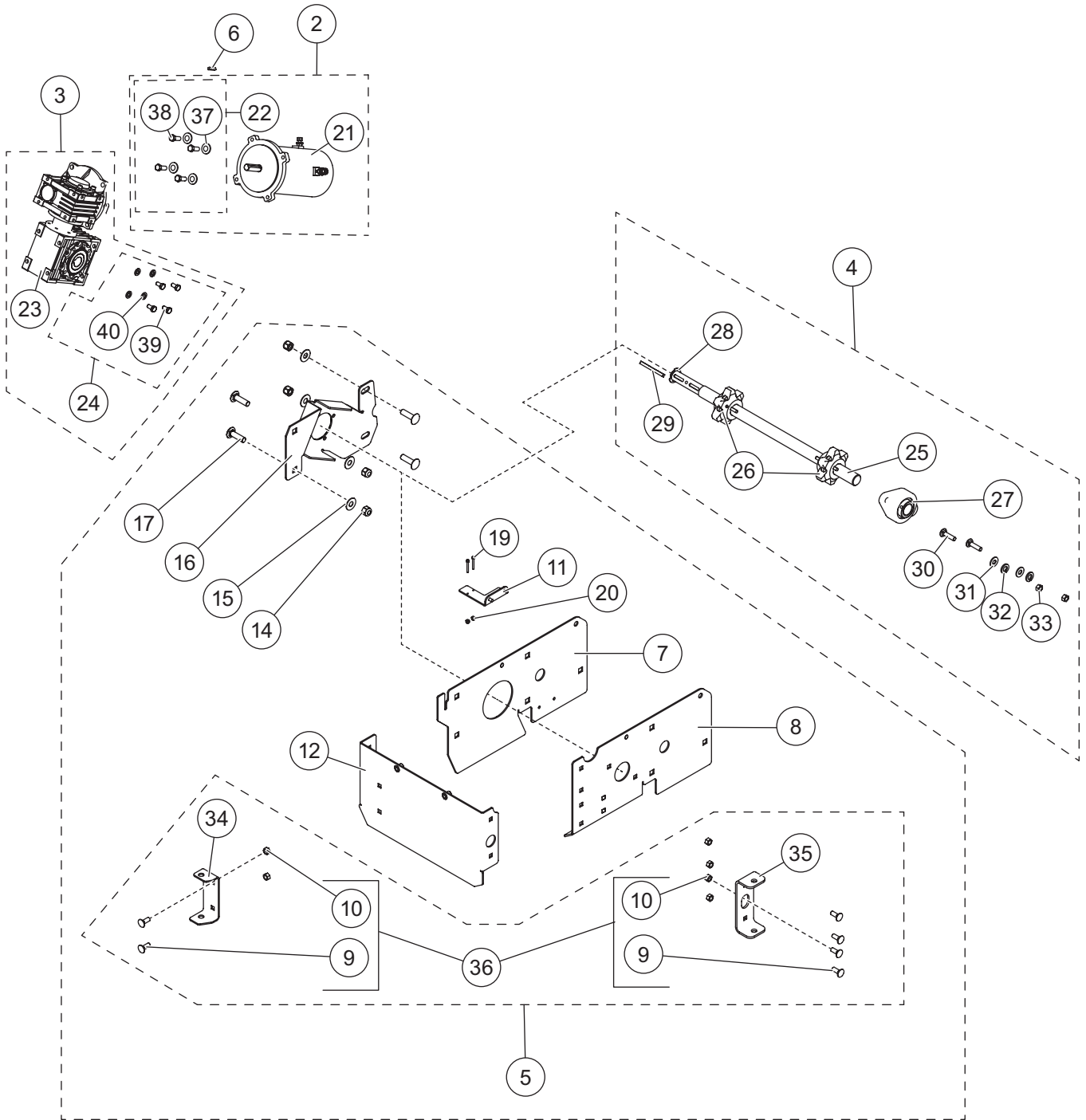
MAURADER™ HOPPER SPREADER

POWERGROUP ASSEMBLY – AUGER DRIVE



MAURADER™ HOPPER SPREADER

POWERGROUP ASSEMBLY – CHAIN DRIVE

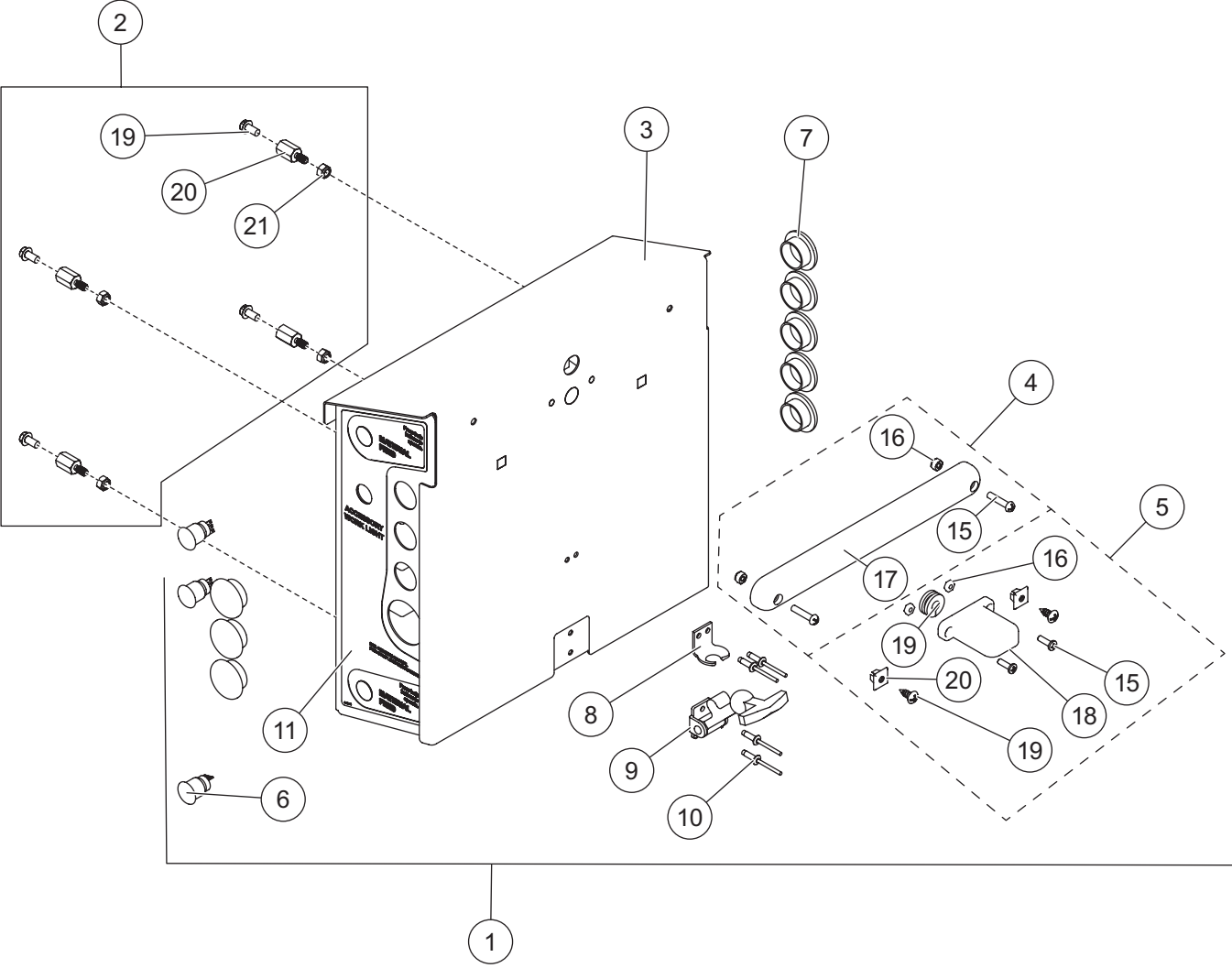


MAURADER™ HOPPER SPREADER

Drivetrain Assembly Components							
Item	Part	Qty	Description	Item	Part	Qty	Description
1	31926	1	Chain Powergroup – Mount Kit	4	99094	1	Drive Shaft Kit
2	99085	1	Driveline Motor Kit	5	31927	1	Chute Attachment Kit – Chain
3	99087	1	Gear Box Kit	6	65195	1	3/16 x 1 Machine Key
Item 1				31926 Chain Powergroup – Mount Kit			
7		1	Powergroup Side Plate DS	15		2	1/2 Flat Washer SS
8		1	Powergroup Side Plate PS	16		1	Gear Box Mount Bracket
9		6	3/8-16 x 1 Carriage Bolt	17		2	1/2-13 x 1-3/4 Carriage Bolt
10		6	3/8-16 Locknut SS	ns	69916	1	8-Pin Cable Boot
11		1	Chain Chute Side Mount	ns		2	Motor Terminal Cover
12		1	Powergroup Brace	18		1	Harness Bracket
13		1	Chute Mount	19		2	#6-32 x 1-1/4 Hex Cap Screw SS
14		2	1/2-13 Hex Locknut SS	20		2	#6-32 Hex Locknut SS
Item 2				99085 Driveline Motor Kit			
21	D6825-1	1	Motor 1/2 HP, NEMA 56C	22	99086	1	Bolt Bag – Driveline Motor
Item 3				99087 Gear Box Kit			
23	99067	1	10 x 10 2X Worm Gear	24	99088	1	Bolt Bag – Gear Box Kit
Item 4				99094 Drive Shaft Kit			
25		1	Drive Shaft	30		2	3/8-16 x 1-1/2 Carriage Bolt SS
26	99479	2	6-Tooth Sprocket Kit	31		2	3/8 Flat Washer SS
27	94536	1	Bearing, 1.125 ID 2-Bolt Flange	32		2	3/8 Lock Washer SS
28	330	1	1" Retaining Ring	33		2	3/8-16 Hex Nut
29	99572	1	1/4 x 3 Machine Key				
Item 5				31927 Chute Attachment Kit – Chain			
34		1	Chain Chute Front Bracket	36	31928	1	Bolt Bag – Chute Attachment Kit
35		1	Chain Chute Side Bracket				
Item 22				99086 Bolt Bag – Driveline Motor			
37		4	3/8 Flat Washer SS	38		4	3/8-16 x 3/4 Hex Cap Screw SS
Item 24				99088 Bolt Bag – Gear Box Kit			
39		4	M8-1.25 x 16 Hex Cap Screw SS	40		4	M8 Lock Washer SS
Item 36				31928 Bolt Bag – Chute Attachment Kit			
9		4	3/8-16 x 1 Carriage Bolt SS	37		4	3/8 Flat Washer SS
10		4	3/8-16 Locknut SS				
ns = not shown		G = Grade		SS = Stainless Steel		M = Metric	

MAURADER™ HOPPER SPREADER

ELECTRICAL BOX ASSEMBLY

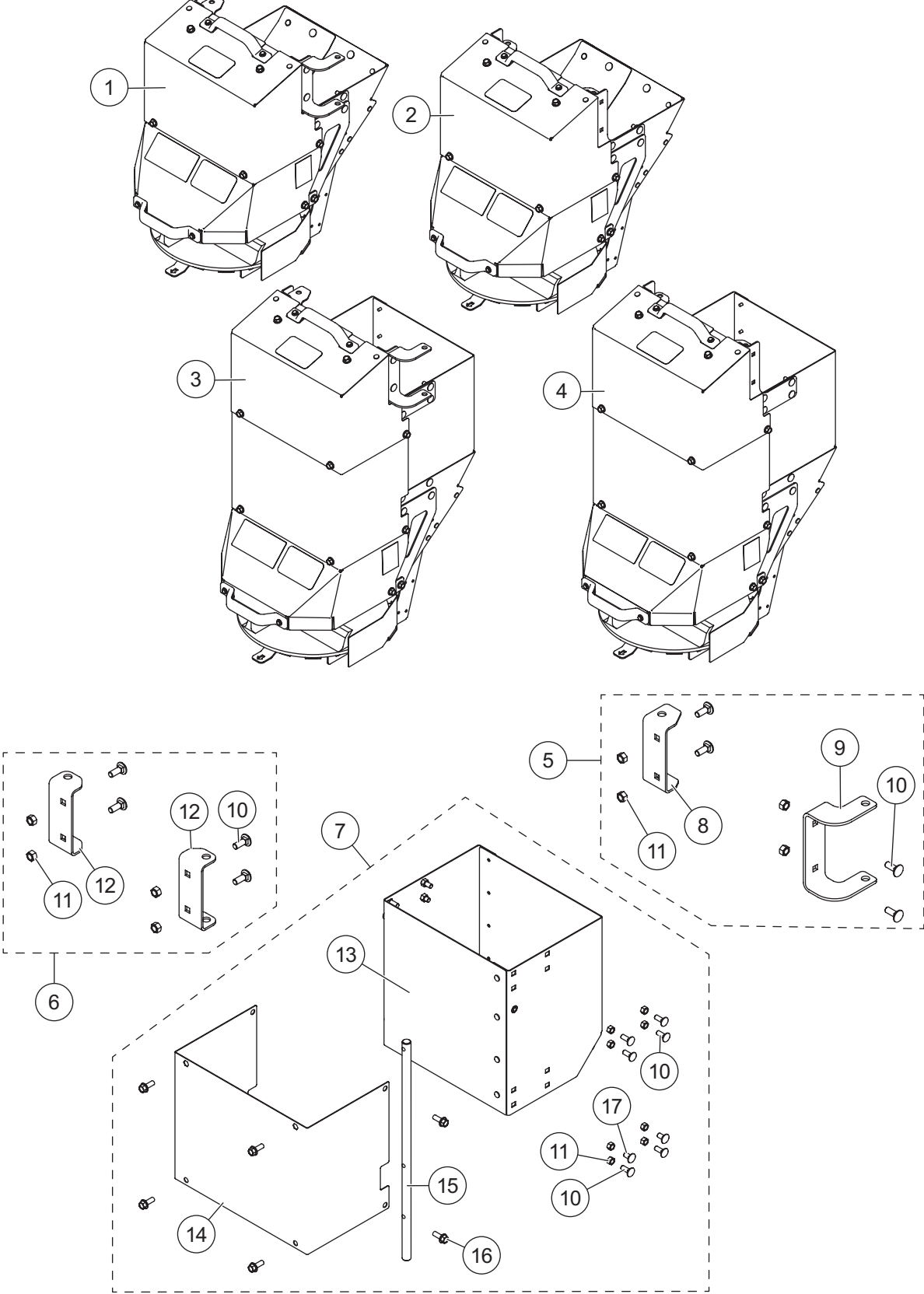


MAURADER™ HOPPER SPREADER

Electrical Box Components							
Item	Part	Qty	Description	Item	Part	Qty	Description
1	31931	1	Electrical Box Assembly	2	31932	1	Electrical Box Mounting Hardware
Item 1				31931 Electrical Box Assembly			
3	31941	1	Electrical Box	8		1	Keeper
4	99080	1	CHMSL Kit	9		1	Latch Assembly
5	31933	1	License Plate Kit	10		4	3/16 Pop Rivet
6	99254	3	Switch, Push Button	11	31155	1	Label – Control, Spreader Chute
7	99195	8	Break-Thru Plug				
Item 2				31932 Electrical Box Mounting Hardware			
12		4	1/4-20 x 1/2 Hex Cap Screw SS	14		4	1/4-20 Hex Locknut SS
13		4	1/4-20 Standoff				
Item 4				99080 Center High-Mounted Stoplight (CHMSL) Kit			
15		2	#10-32 x 1" Machine Screw	17		1	CHMSL w/8" Lead
16		2	#10-32 Hex Locknut SS				
Item 5				31933 License Plate Kit			
15		2	#10-32 x 1" Machine Screw	19	66130	1	Rubber Grommet
16		2	#10-32 Hex Locknut SS	20		2	License Plate Nut
18		1	License Plate Lamp	21		2	License Plate Screw
SS = Stainless Steel							

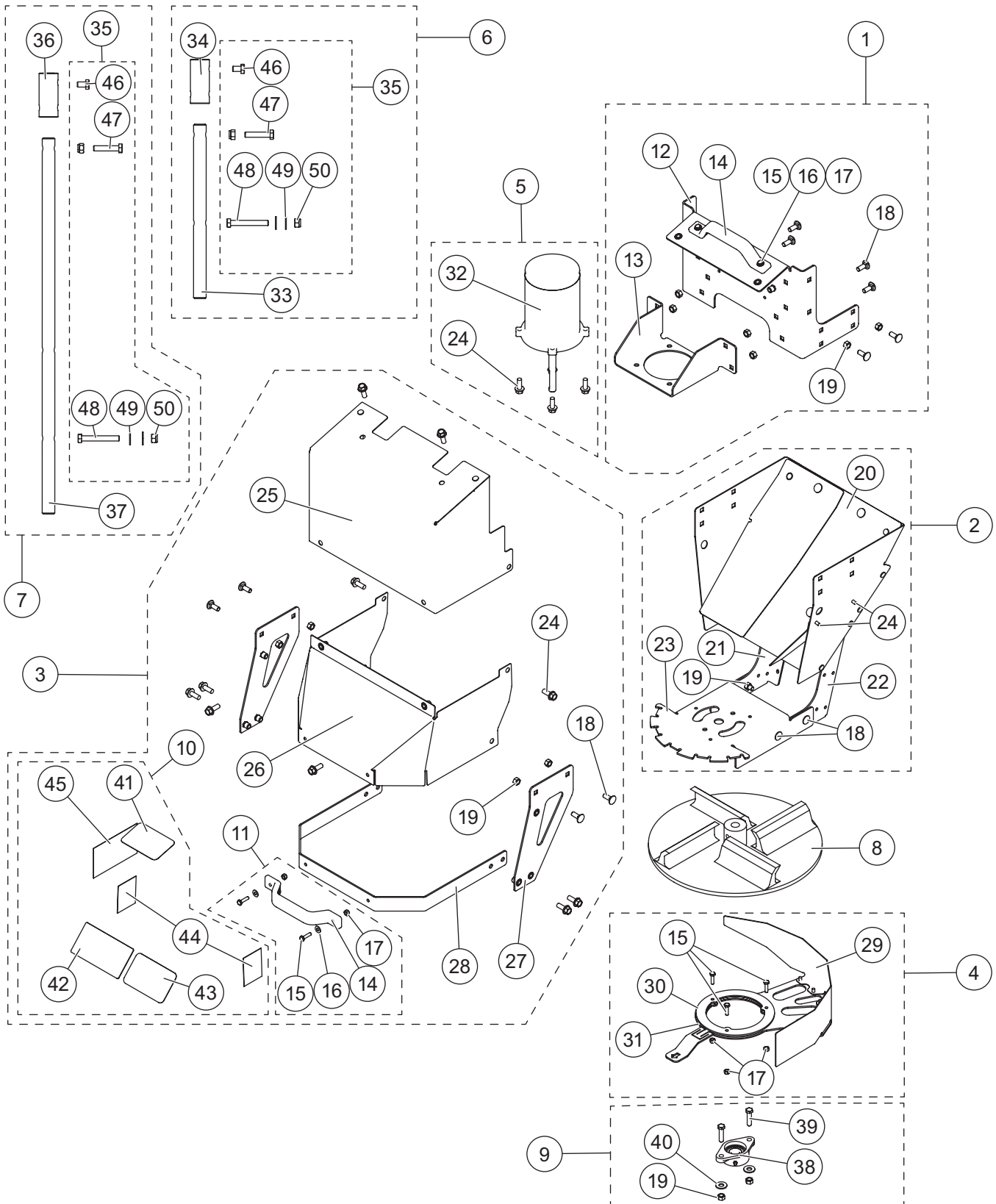
MAURADER™ HOPPER SPREADER

CHUTE ASSEMBLIES



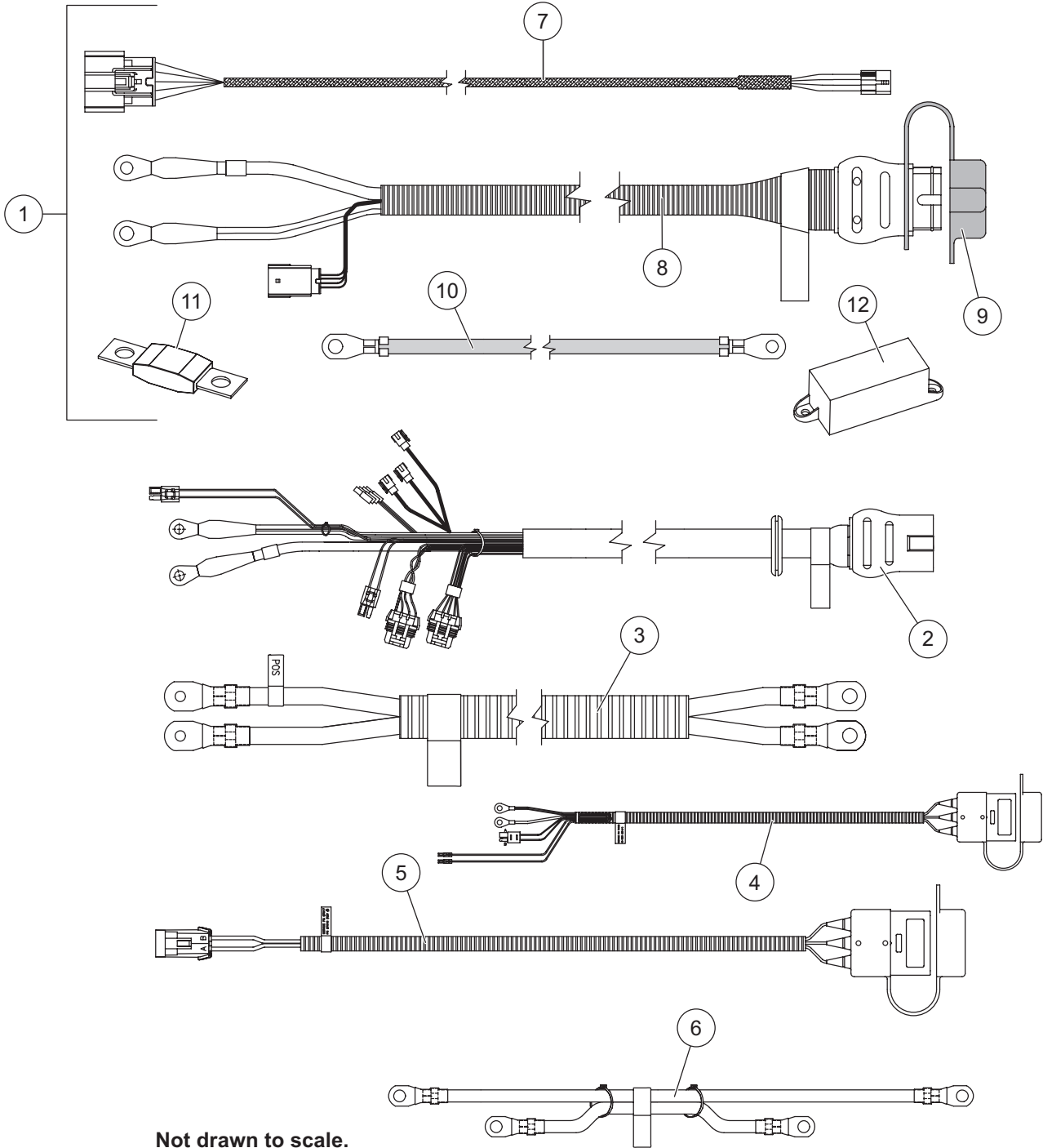
MAURADER™ HOPPER SPREADER

CHUTE ASSEMBLIES



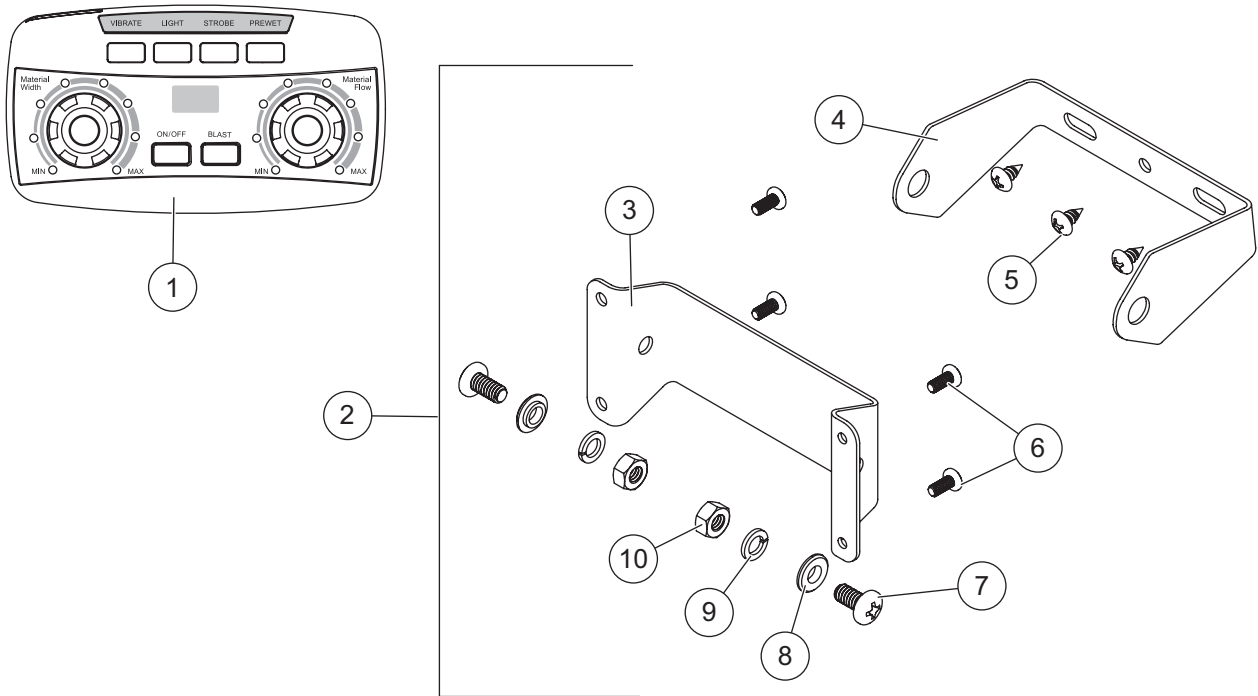
MAURADER™ HOPPER SPREADER

CONTROL & ELECTRICAL COMPONENTS



MAURADER™ HOPPER SPREADER

CONTROL & ELECTRICAL COMPONENTS



Cab Control Kit							
Item	Part	Qty	Description	Item	Part	Qty	Description
1	99774	1	Cab Control 2-Knob	2	52345	1	Cab Control Bracket Kit
Item 2				52345 Cab Control Bracket Kit			
3		1	Bracket, Control Inner	7		2	1/4-20 x 1/2 Pan Head Machine Screw SS – Black
4		1	Bracket, Control Outer	8		2	1/4 Shoulder Washer SS – Black
5		3	#10 x 3/8 Pan Head Tapping Screw SS	9		2	1/4 Spring Lock Washer SS
6		4	#8 x 3/8 Pan Head Machine Screw	10		2	1/4-20 Hex Nut G5 – Black
SS = Stainless Steel				G = Grade			

MAURADER™ HOPPER SPREADER

ACCESSORIES

Part	Description	Part	Description
93265	Tri-Shield, 50 gallon – S150 & S220	93474	Pullover Tarp Kit – S150
93270	Tri-Shield, 200 gallon – S300/S400/S500	93476	Pullover Tarp Kit – S220
93275	Tri-Shield, 100 gallon expansion – S300/ S400/S500	68790	Ratchet Tie-Down Kit
31210	Rearview Material Monitoring Camera	99690	Tie-Down Kit, SH Chain
93980	50" Side Extension Kit – S150 & S220	76668-1	Vibrator Kit
93985	70" Side Ext. Kit – S300/S400/S500	93990	Inverted V – S150 chain models
93970	50" Spill Guard Kit – S150 & S220	93995	Inverted V – S220 chain models
93975	70" Spill Guard Kit – S300/S400/S500	99505-1	LED Work Light Kit
11763-1	Central Point Grease Kit	99732-1	LED Work Light Kit (auxiliary)
		99494-1	LED Strobe Light Kit

MAURADER™ HOPPER SPREADER



Western Products
PO Box 245038
Milwaukee, WI 53224-9538
www.westernplows.com

 A DIVISION OF DOUGLAS DYNAMICS, LLC

Copyright © 2023 Douglas Dynamics, LLC. All rights reserved. This material may not be reproduced or copied, in whole or in part, in any printed, mechanical, electronic, film, or other distribution and storage media, without the written consent of Western Products. Authorization to photocopy items for internal or personal use by Western Products outlets or spreader owner is granted.

Western Products reserves the right under its product improvement policy to change construction or design details and furnish equipment when so altered without reference to illustrations or specifications used. Western Products or the vehicle manufacturer may require or recommend optional equipment for spreaders. Do not exceed vehicle ratings with a spreader. Western Products offers a limited warranty for all spreaders and accessories. See separately printed page for this important information. The following are registered (®) or unregistered (™) trademarks of Douglas Dynamics, LLC: HELIXX™, MAURADER™, WESTERN®.

Printed in U.S.A.